

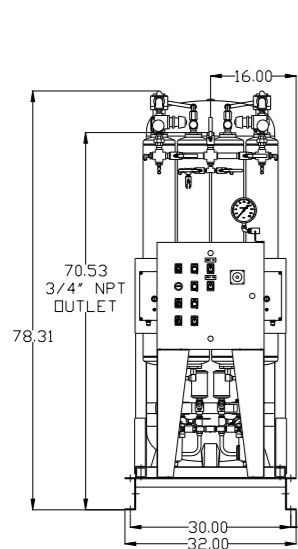
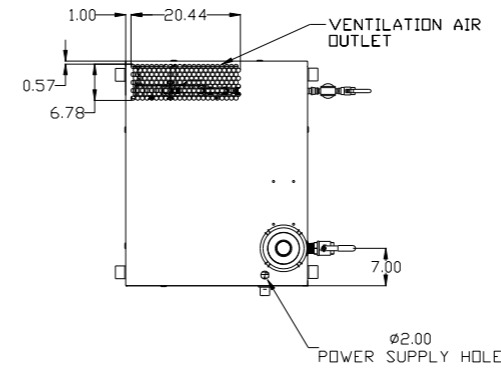
REV	ZONE	REVISION	DATE	ECN	NAME	CHKD
B-1	ALL	RELEASE TO PRODUCTION	12/8/16	PREC010	RK	JA
B-2	ALL	ADDED SEP. CORR ALT PNL, CORR NOTES, CORRECTED FLOW	1/23/17	PREC018	GES	JA

MINIMUM RECOMMENDED ELECTRICAL PANEL CLEARANCE PER OSHA/NEC

MINIMUM RECOMMENDED MAINTENANCE CLEARANCE

MINIMUM RECOMMENDED ELECTRICAL PANEL CLEARANCE PER OSHA/NEC

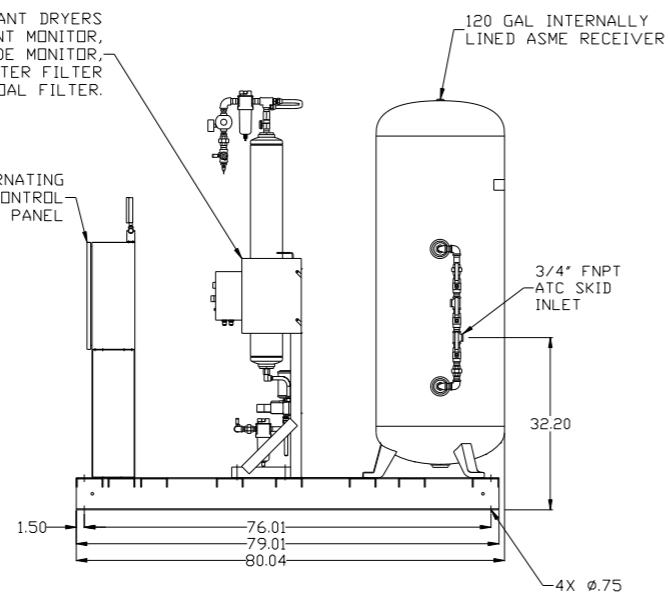
MINIMUM RECOMMENDED ELECTRICAL PANEL CLEARANCE PER OSHA/NEC



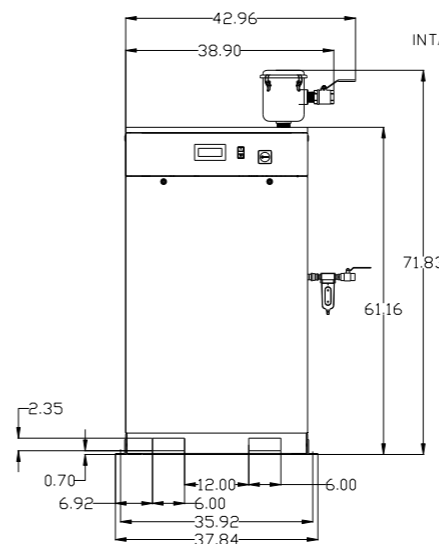
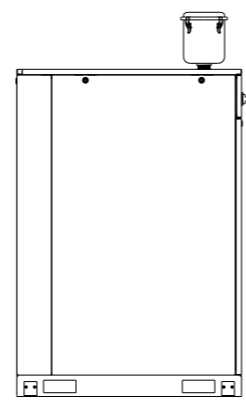
FRONT VIEW
(TANK/DRYER SKID)

2X DESICCANT DRYERS
W/ DEW POINT MONITOR,
CARBON MONOXIDE MONITOR,
PRE FILTER, AFTER FILTER
& OPTIONAL CHARCOAL FILTER.

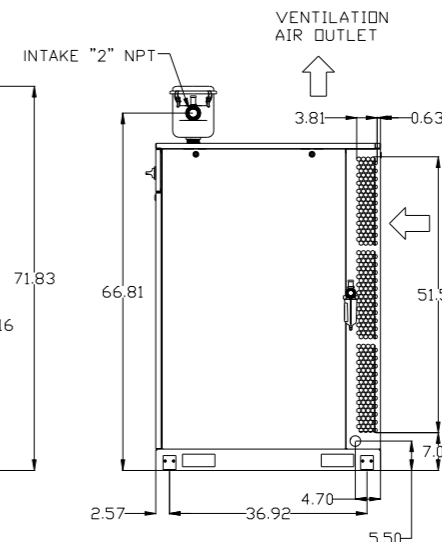
ALTERNATING
CONTROL
PANEL



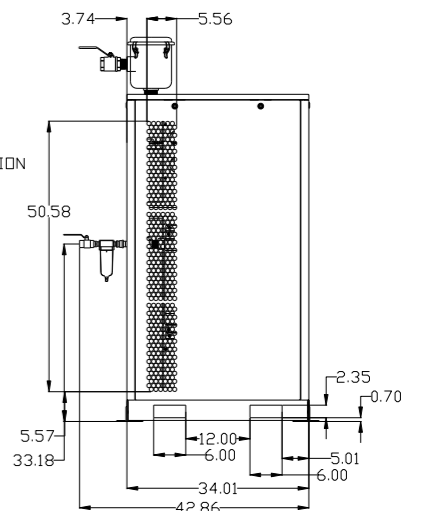
RIGHT VIEW
(TANK/DRYER SKID)



FRONT VIEW
(SCROLL ENCLOSURE)



RIGHT VIEW
(SCROLL ENCLOSURE)

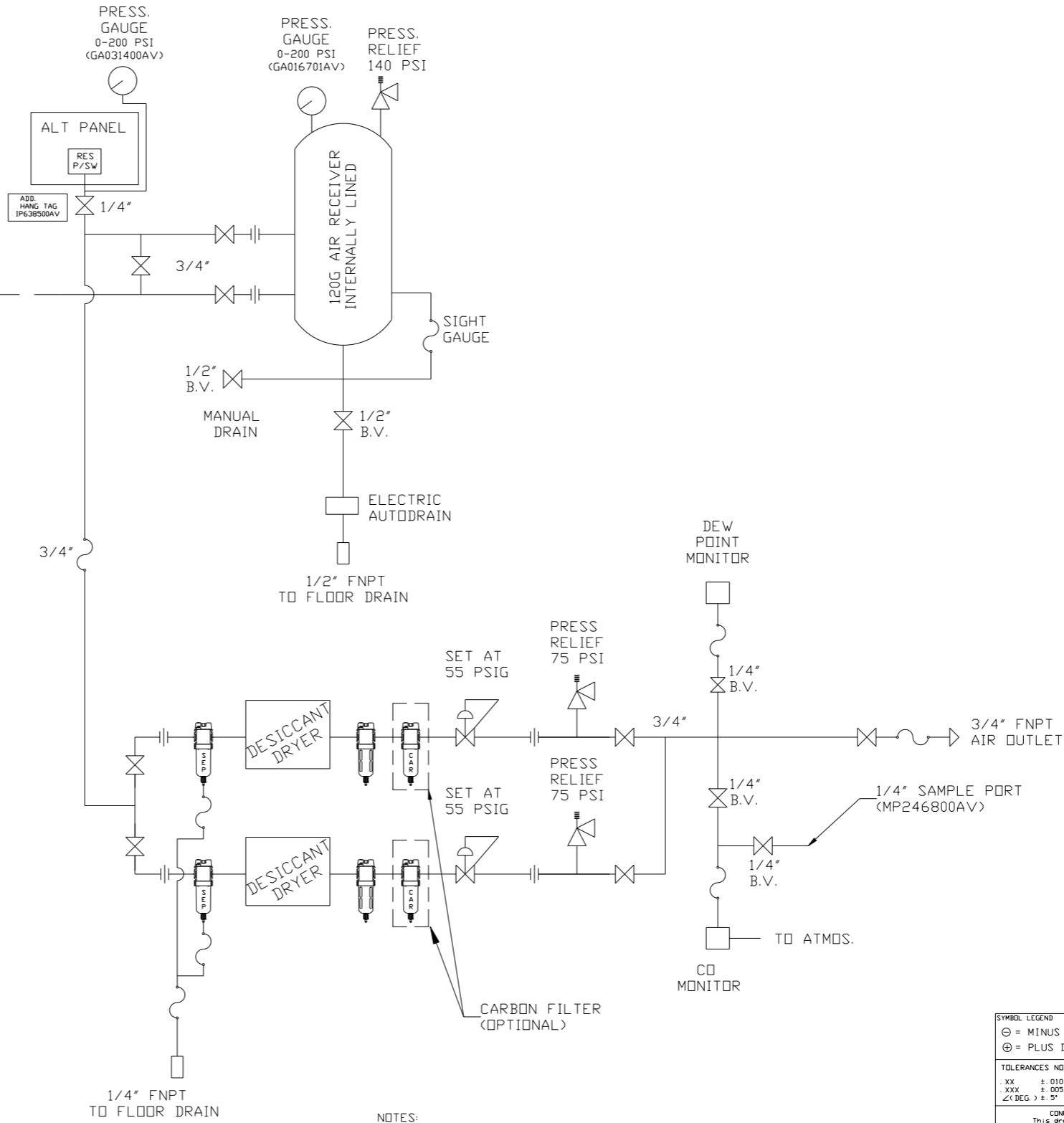
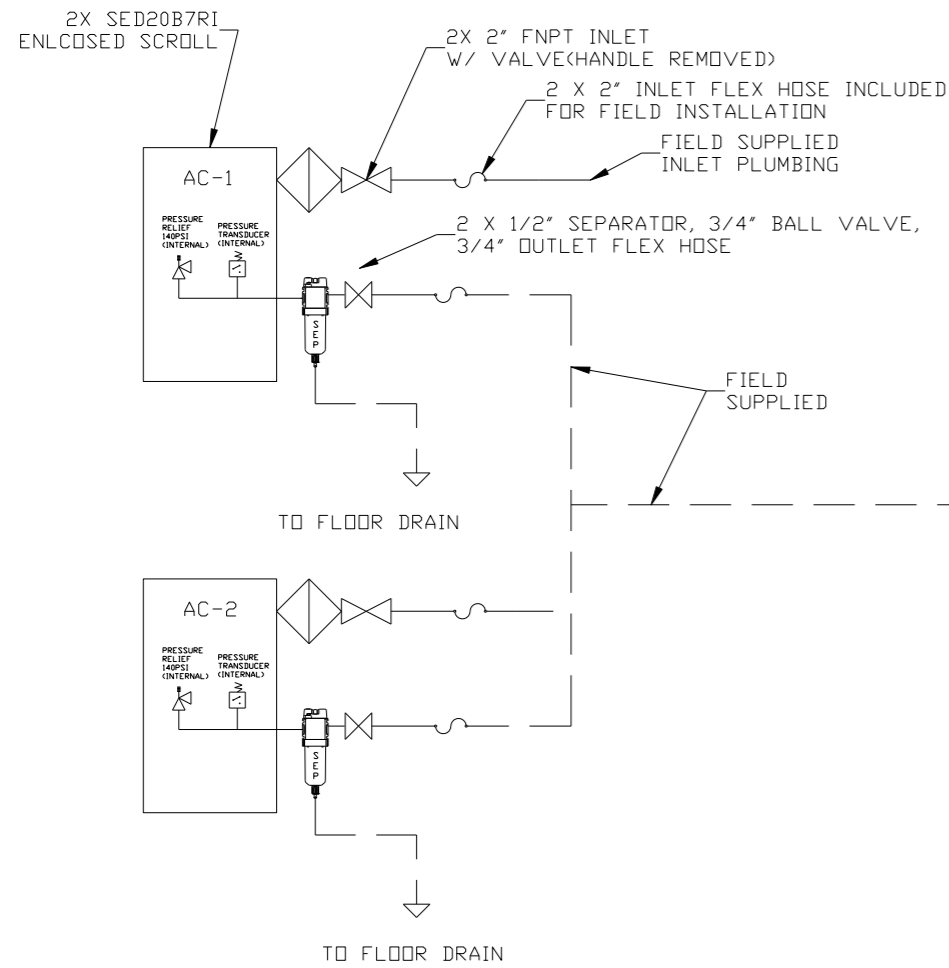


REAR VIEW
(SCROLL ENCLOSURE)

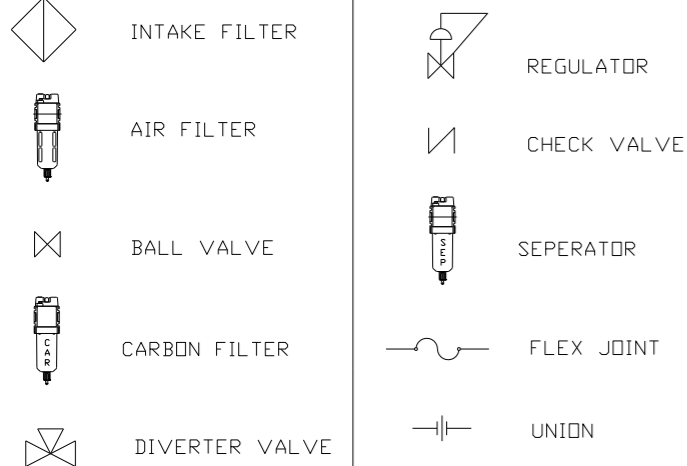
- NOTES:
- 1) SHEET 1, UNIT LAYOUT.
 - 2) SHEET 2, UNIT FLOW SCHEMATIC.
 - 3) INLET CONNECTIONS: 2" FNPT X 2.
 - 4) SYSTEM OUTLET CONNECTION: 3/4" FNPT X 1.
 - 5) POWER CONNECTION EACH ENCLOSURE: 1-230, OR 460 VOLT, ALTERNATION PANEL: 115V
 - 6) WHEN PACKAGE IS INSTALLED INTO THE FACILITY, MAKE SURE THAT THE INSTALLER REFERENCES TABLE 110.26 (A) (1) FOR MINIMUM WORKING AREA.
 - 7) DIRECTION OF INTAKE CONNECTIONS MAY BE MODIFIED AT INSTALLATION BY ADJUSTING PIPE THREAD CONNECTIONS.

SYMBOL LEGEND		= ADDITIONAL CONTROL REQ'D		Drawings to conform to the current revision of the following ANSI standards:	
⊖	MINUS DRAFT	⊕	PLUS DRAFT	⊖	BRINELL HARDNESS
TOLERANCES NOT SPECIFIED		AUTOCAD LT 2014		DO NOT SCALE DRAWING FOR DIMENSIONS	
.XX	± .010	INCH		Sheet 1 of 2	
.XXX	± .005			SCALE 1:18	
<< DEG >>	± 5°				
CONFIDENTIAL DISCLOSURE					
This drawing is the property of POWEREX, INC. of the SCOTT FETZER COMPANY and subject to return on demand. Its contents are confidential and must not be copied or submitted to outside parties for use or examination.					
DRAWN BY		CHECKED BY	APPROVED BY		ENG/MRK/CTG
RK		JA	JA		CT
12/8/16		12/8/16	12/8/16		12/8/16
MATERIAL		N/A			
PART NAME		MEDICAL SCROLL ENCLOSED			
20HP DUPLEX		DWG NO		MSED20B4	
SIZE		D			

REV	ZONE	REVISION	DATE	ECN	NAME	CHKD
B-1	ALL	RELEASE TO PRODUCTION	12/8/16	PREC010	RK	JA
B-2	ALL	ADDED SEP. CORR ALT PNL, CORR NOTES, CORRECTED FLOW	1/23/17	PREC010	GES	JA



LEGEND



- NOTES:
- 1) SHEET 1, UNIT LAYOUT.
 - 2) SHEET 2, UNIT FLOW SCHEMATIC.
 - 3) INLET CONNECTIONS: 2" FNPT X 2.
 - 4) SYSTEM OUTLET CONNECTION: 3/4" FNPT X 1.
 - 5) POWER CONNECTION EACH ENCLOSURE: 1-230, OR 460 VOLT, ALTERNATION PANEL: 115V
 - 6) WHEN PACKAGE IS INSTALLED INTO THE FACILITY, MAKE SURE THAT THE INSTALLER REFERENCES TABLE 110.26 (A) (1) FOR MINIMUM WORKING AREA.
 - 7) DIRECTION OF INTAKE CONNECTIONS MAY BE MODIFIED AT INSTALLATION BY ADJUSTING PIPE THREAD CONNECTIONS.

SYMBOL LEGEND		= ADDITIONAL CONTROL REQ'D		Drawings to conform to the current revision of the following ANSI standards:	
= MINUS DRAFT		= BRINELL HARDNESS		Y14.3 Multi and sectional view dgs.	
= PLUS DRAFT				Y14.5M Dimensioning and tolerancing	
TOLERANCES NOT SPECIFIED		AUTOCAD LT 2014		DO NOT SCALE DRAWING FOR DIMENSIONS	
.XX ± .010		INCH		Sheet 2 of 2	
.XXX ± .005				SCALE 1:18	
∠(DEG) ± 5°					
CONFIDENTIAL DISCLOSURE					
This drawing is the property of POWEREX, INC. of the SCOTT FETZER COMPANY and subject to return on demand. Its contents are confidential and must not be copied or submitted to outside parties for use or examination.					
DRAWN BY		CHECKED BY		APPROVED BY	
RK		JA		MFG/MKTG	
12/8/16		12/8/16		12/8/16	
MATERIAL N/A					
PART NAME ENCLOSED SCROLL					
FLOW SCHEMATIC					
DWG NO MSED20B4					
SIZE D					