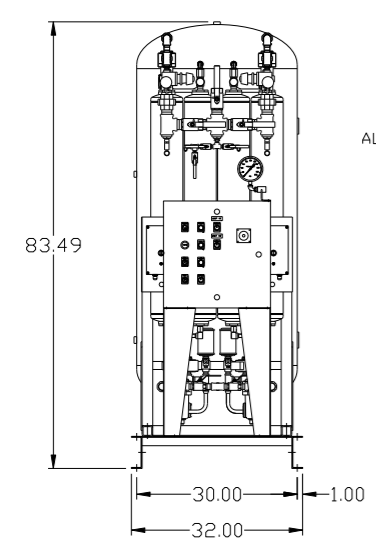
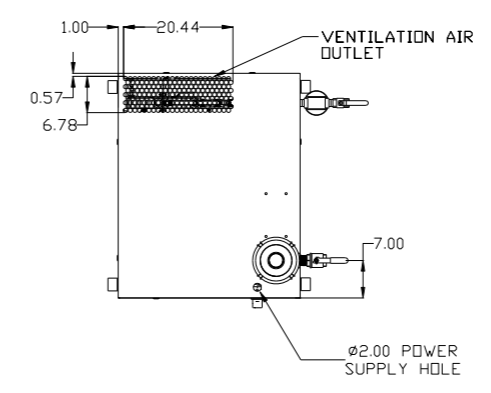
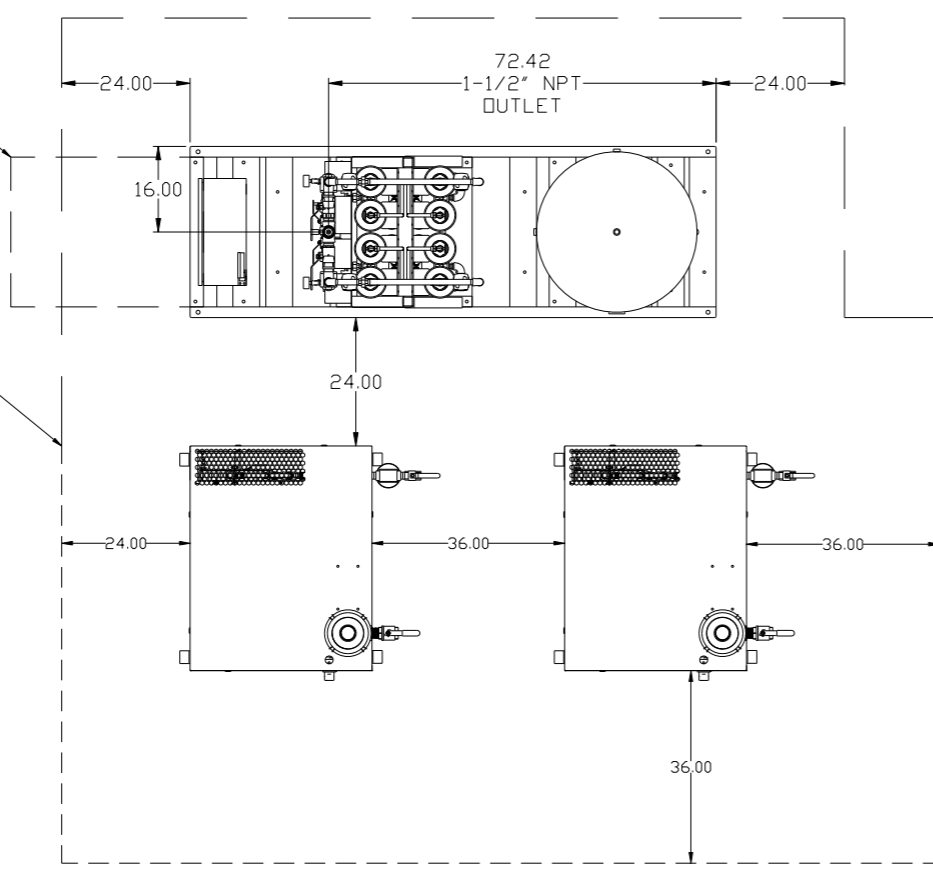


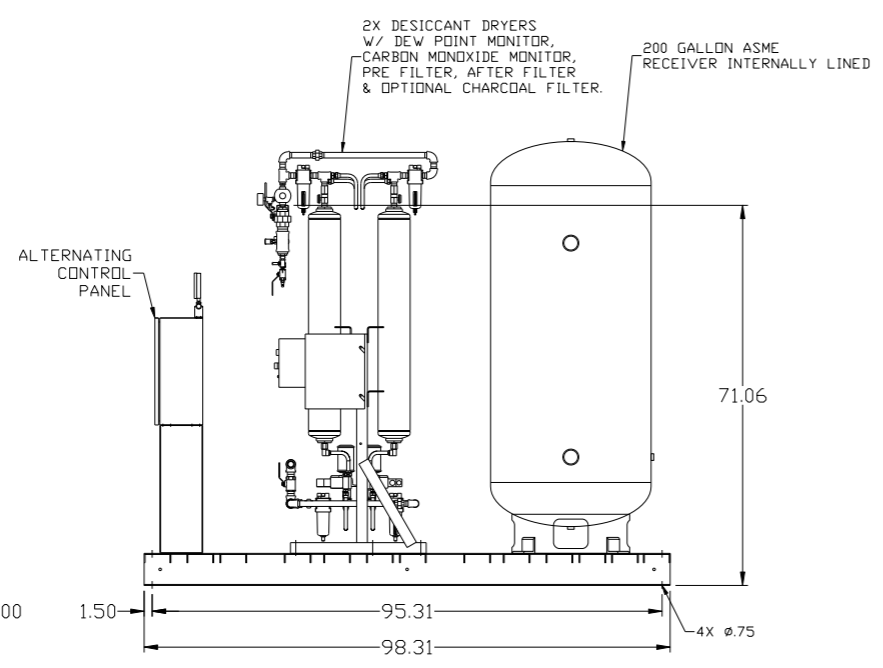
REV	ZONE	REVISION	DATE	ECN	NAME	CHKD
B-1	ALL	RELEASE TO PRODUCTION	12/8/16	PXEC018	RK	JA
B-2	ALL	ADDED SEP. CORR ALT PNL, CORR NOTES, CORRECTED FLOW	1/25/17	PXEC018	GES	JA

MINIMUM RECOMMENDED ELECTRICAL PANEL CLEARANCE PER OSHA/NEC REQUIREMENTS

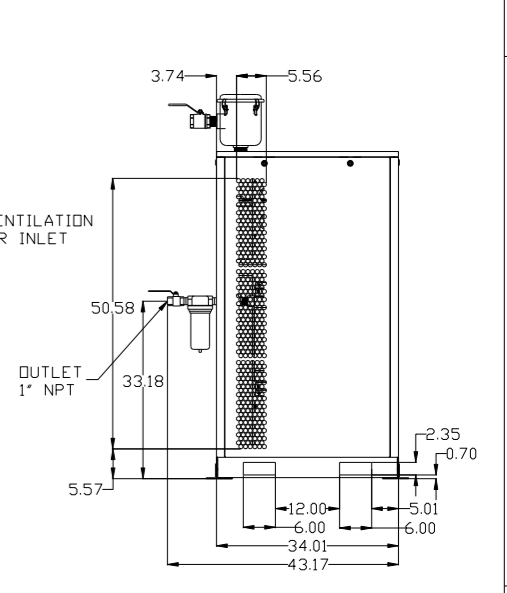
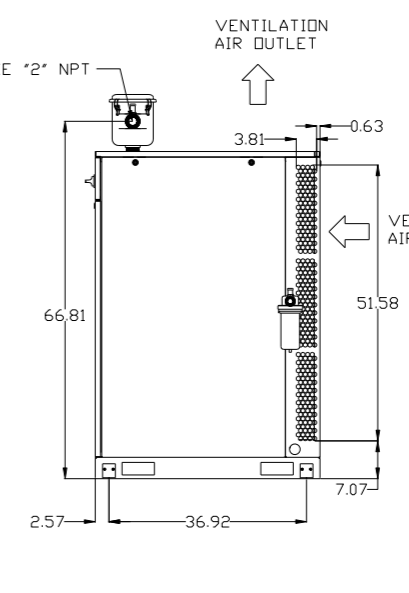
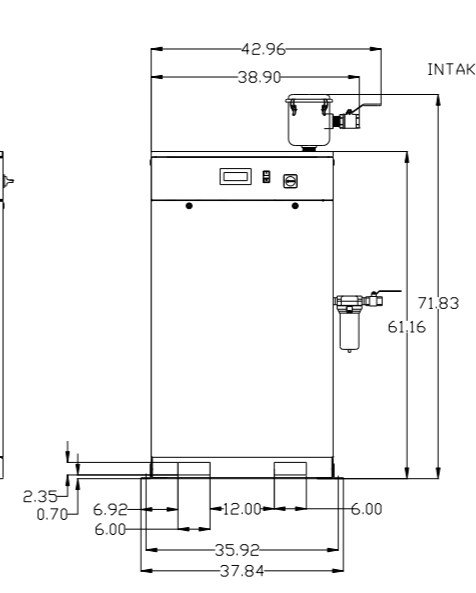
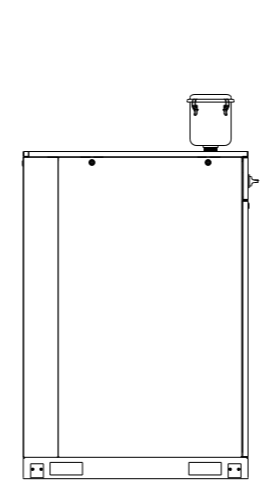
MINIMUM RECOMMENDED MAINTENANCE CLEARANCE



FRONT VIEW (TANK/DRYER SKID)



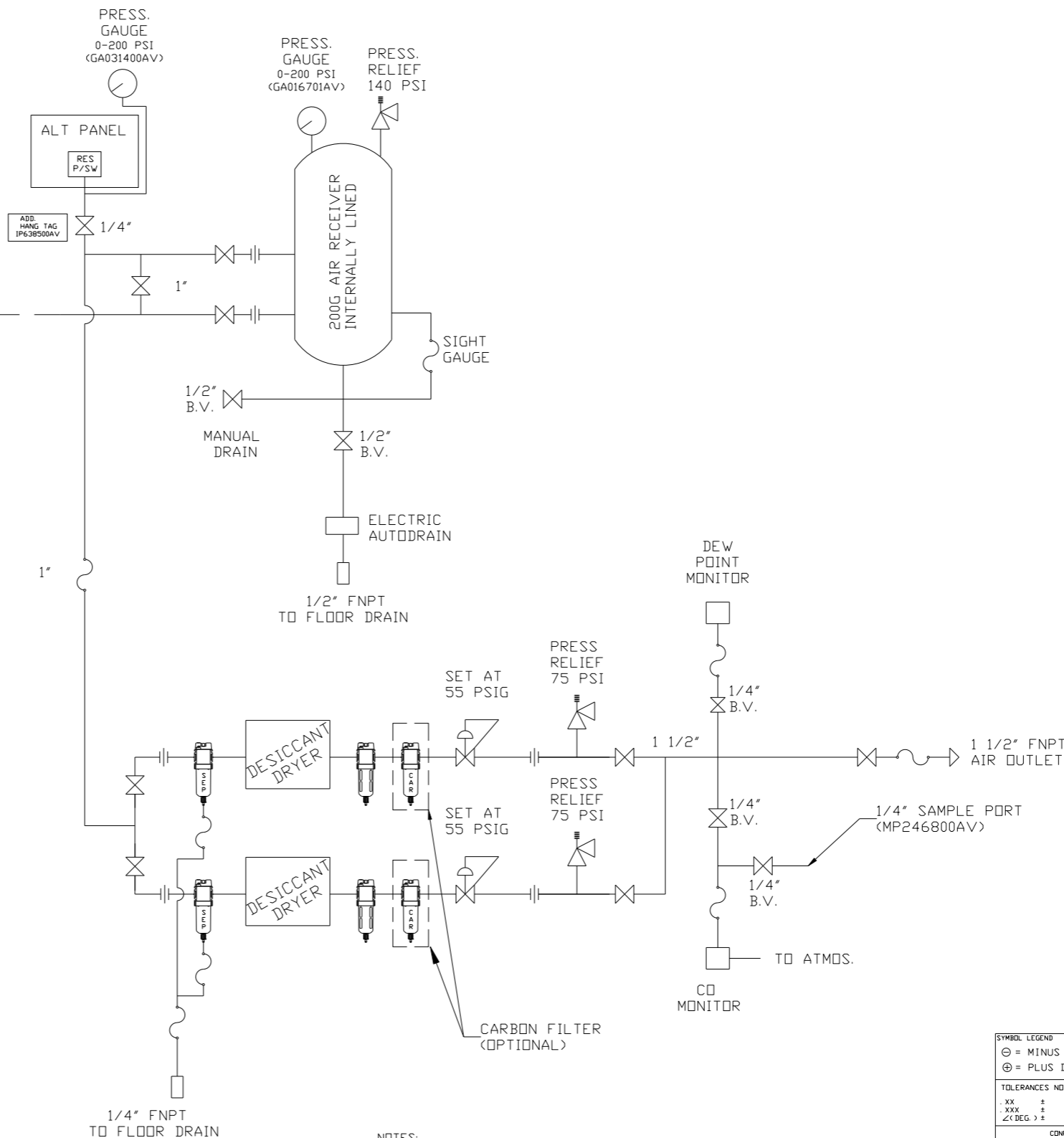
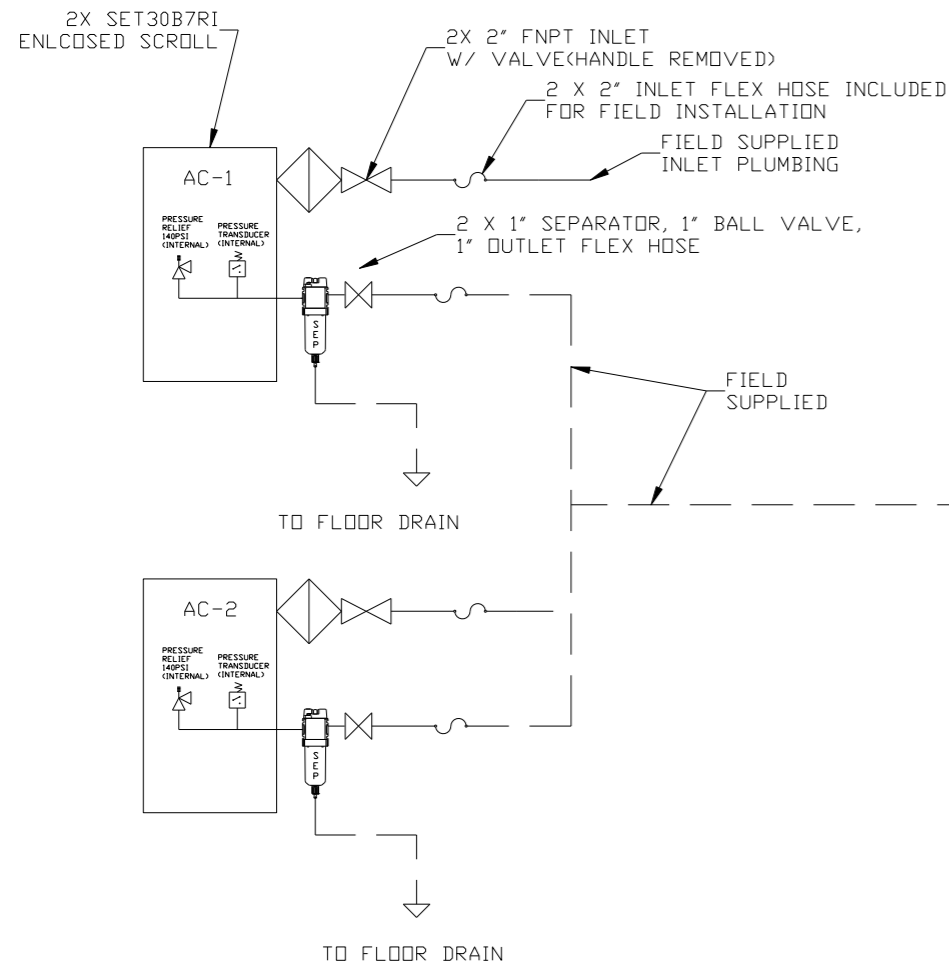
RIGHT VIEW (TANK/DRYER SKID)



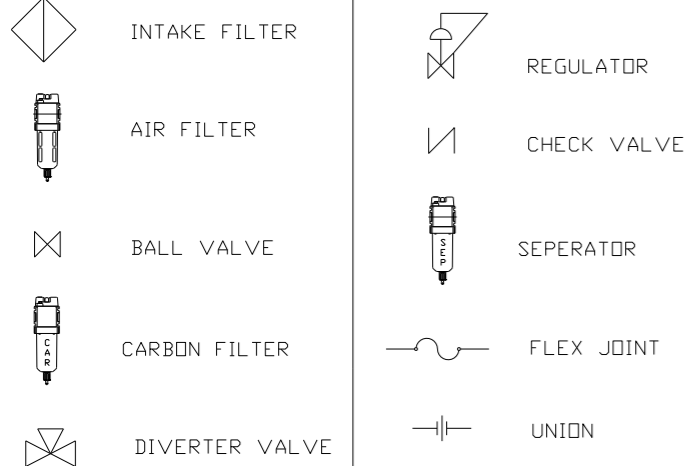
- NOTES:
- 1) SHEET 1, UNIT LAYOUT.
  - 2) SHEET 2, UNIT FLOW SCHEMATIC.
  - 3) INLET CONNECTIONS: 2" FNPT X 2.
  - 4) SYSTEM OUTLET CONNECTION: 1 1/2" FNPT X 1.
  - 5) POWER CONNECTION EACH ENCLOSURE: 1-230, OR 460 VOLT, ALTERNATION PANEL: 115V
  - 6) WHEN PACKAGE IS INSTALLED INTO THE FACILITY, MAKE SURE THAT THE INSTALLER REFERENCES TABLE 110.26 (A) (1) FOR MINIMUM WORKING AREA.
  - 7) DIRECTION OF INTAKE CONNECTIONS MAY BE MODIFIED AT INSTALLATION BY ADJUSTING PIPE THREAD CONNECTIONS.

SYMBOL LEGEND ⊖ = MINUS DRAFT ⊕ = PLUS DRAFT .XX ± .XXX ± <math>\angle</math>(DEG) ±		= ADDITIONAL CONTROL REQ'D = BRINELL HARDNESS	Drawings to conform to the current revision of the following ANSI standards: Y14.3 Multi and sectional view dings Y14.5M Dimensioning and tolerancing
TOLERANCES NOT SPECIFIED AUTOCAD REL2014LT INCH		DO NOT SCALE DRAWING FOR DIMENSIONS Sheet 1 of 2 SCALE 1:18	
CONFIDENTIAL DISCLOSURE This drawing is the property of POWEREX, INC. of the SCOTT FETZER COMPANY and subject to return on demand. Its contents are confidential and must not be copied or submitted to outside parties for use or examination.		DRAWN BY RK	CHECKED BY JA
MATERIAL N/A		APPROVED BY ENGINEERING JA	MFG/MKTG CT
PART NAME MEDICAL SCROLL 30HP DUPLEX		DATE 12/8/16	DATE 12/8/16
DWG NO MSE D30B5		DATE 12/8/16	
SIZE D		DATE 12/8/16	

REV	ZONE	REVISION	DATE	ECN	NAME	CHKD
B-1	ALL	RELEASE TO PRODUCTION	12/8/16	PXEC01B	RK	JA
B-2	ALL	ADDED SEP. CORR ALT PNL. CORR NOTES. CORRECTED FLOW	1/25/17	PXEC01B	GES	JA



LEGEND



- NOTES:
- 1) SHEET 1, UNIT LAYOUT.
  - 2) SHEET 2, UNIT FLOW SCHEMATIC.
  - 3) INLET CONNECTIONS: 2" FNPT X 2."
  - 4) SYSTEM OUTLET CONNECTION: 1 1/2" FNPT X 1."
  - 5) POWER CONNECTION EACH ENCLOSURE: 1-230, OR 460 VOLT, ALTERNATION PANEL: 115V
  - 6) WHEN PACKAGE IS INSTALLED INTO THE FACILITY, MAKE SURE THAT THE INSTALLER REFERENCES TABLE 110.26 (A) (1) FOR MINIMUM WORKING AREA.
  - 7) DIRECTION OF INTAKE CONNECTIONS MAY BE MODIFIED AT INSTALLATION BY ADJUSTING PIPE THREAD CONNECTIONS.

SYMBOL LEGEND		⊕ = MINUS DRAFT	⊖ = PLUS DRAFT	⊕ = ADDITIONAL CONTROL REQ'D	⊖ = BRINELL HARDNESS	Drawings to conform to the current revision of the following ANSI standards: Y14.3 Multi and sectional view dgs. Y14.5M Dimensioning and tolerancing
TOLERANCES NOT SPECIFIED	AUTOCAD REL2014LT	DO NOT SCALE DRAWING FOR DIMENSIONS		Sheet 2 of 2		
.XX ±	INCH	SCALE		1:18		
.XXX ±						
<< DEG >> ±						
CONFIDENTIAL DISCLOSURE This drawing is the property of POWEREX, INC. of the SCOTT FETZER COMPANY and subject to return on demand. Its contents are confidential and must not be copied or submitted to outside parties for use or examination.		DRAWN BY	CHECKED BY	APPROVED BY	MFG/MKTG	
MATERIAL		RK	JA	JA	CT	
PART NAME		12/8/16	12/8/16	12/8/16	12/8/16	
ENCLOSED SCROLL				SIZE		
FLOW SCHEMATIC		150 PRODUCTION DRIVE, HARRISON, OHIO 45030 Ph: 888-769-7979 FAX: (513) 367-3125		D		
		DWG NO		MSED30B5		