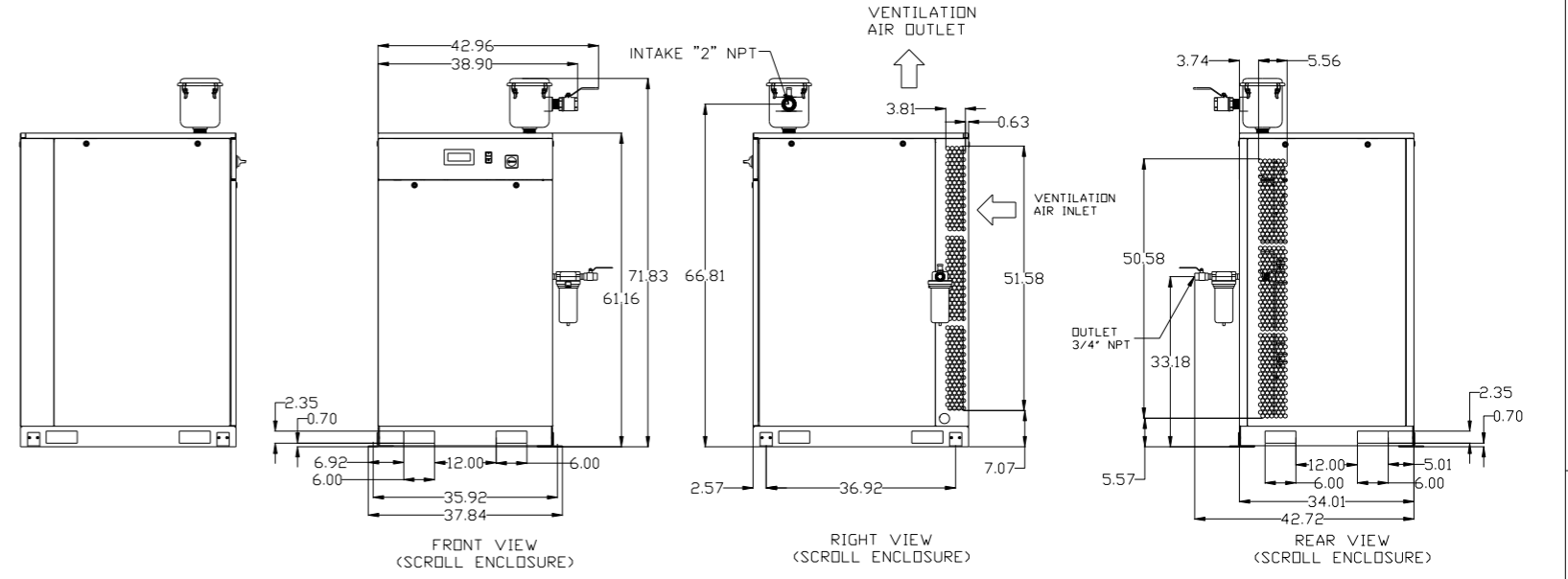
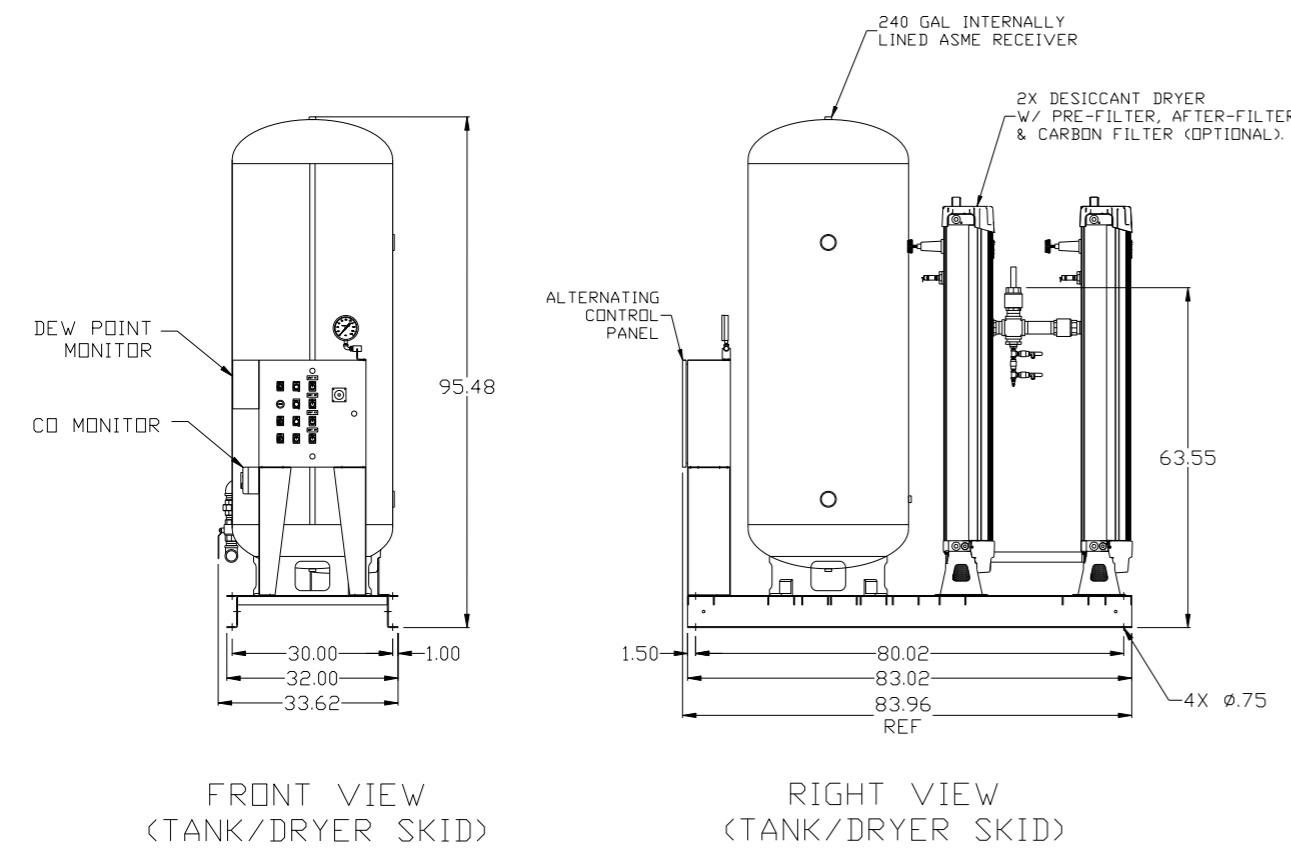
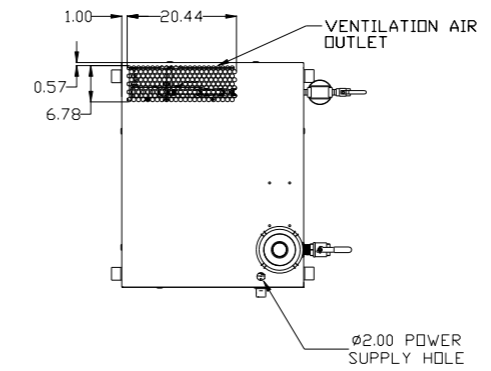
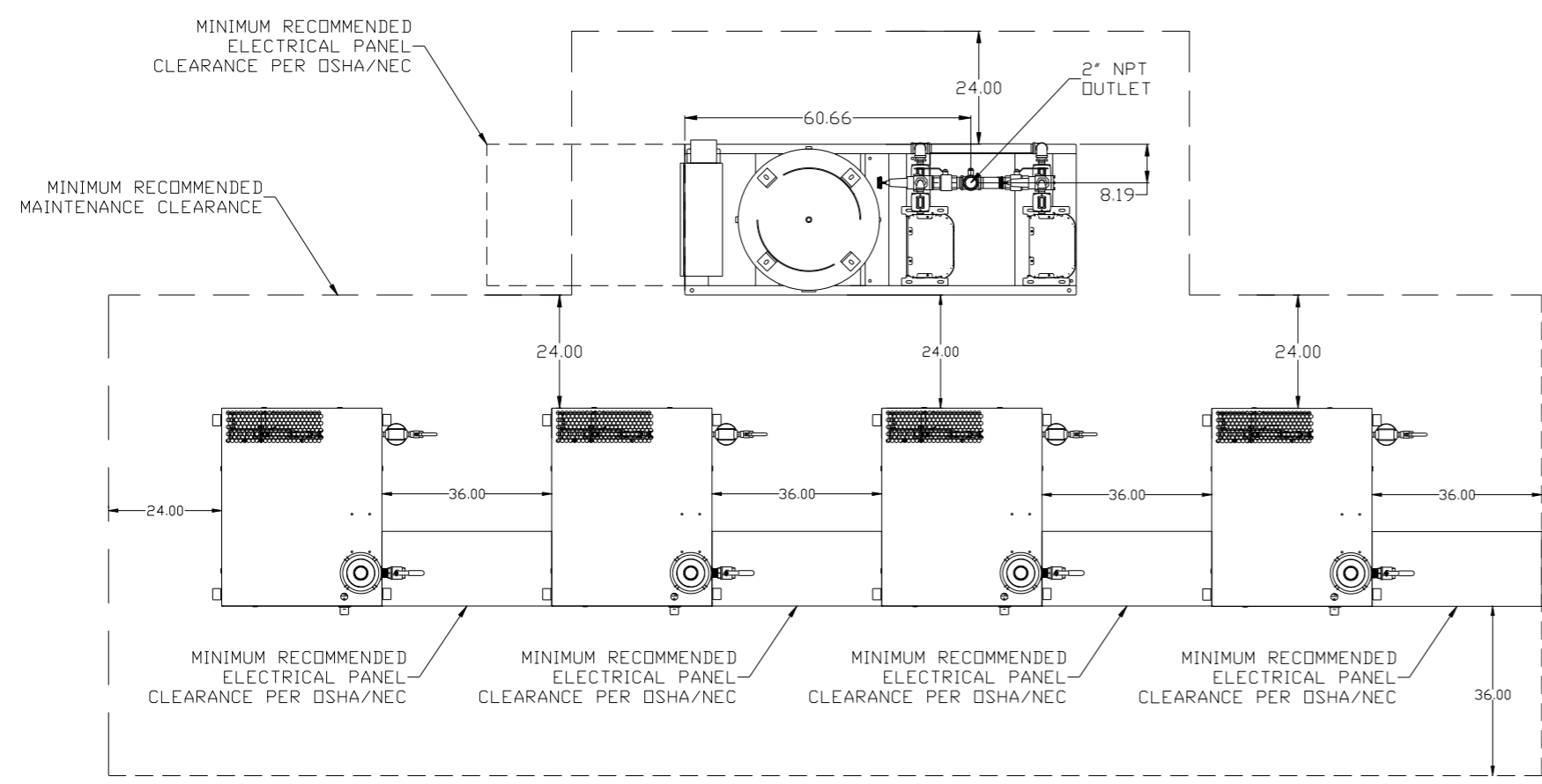


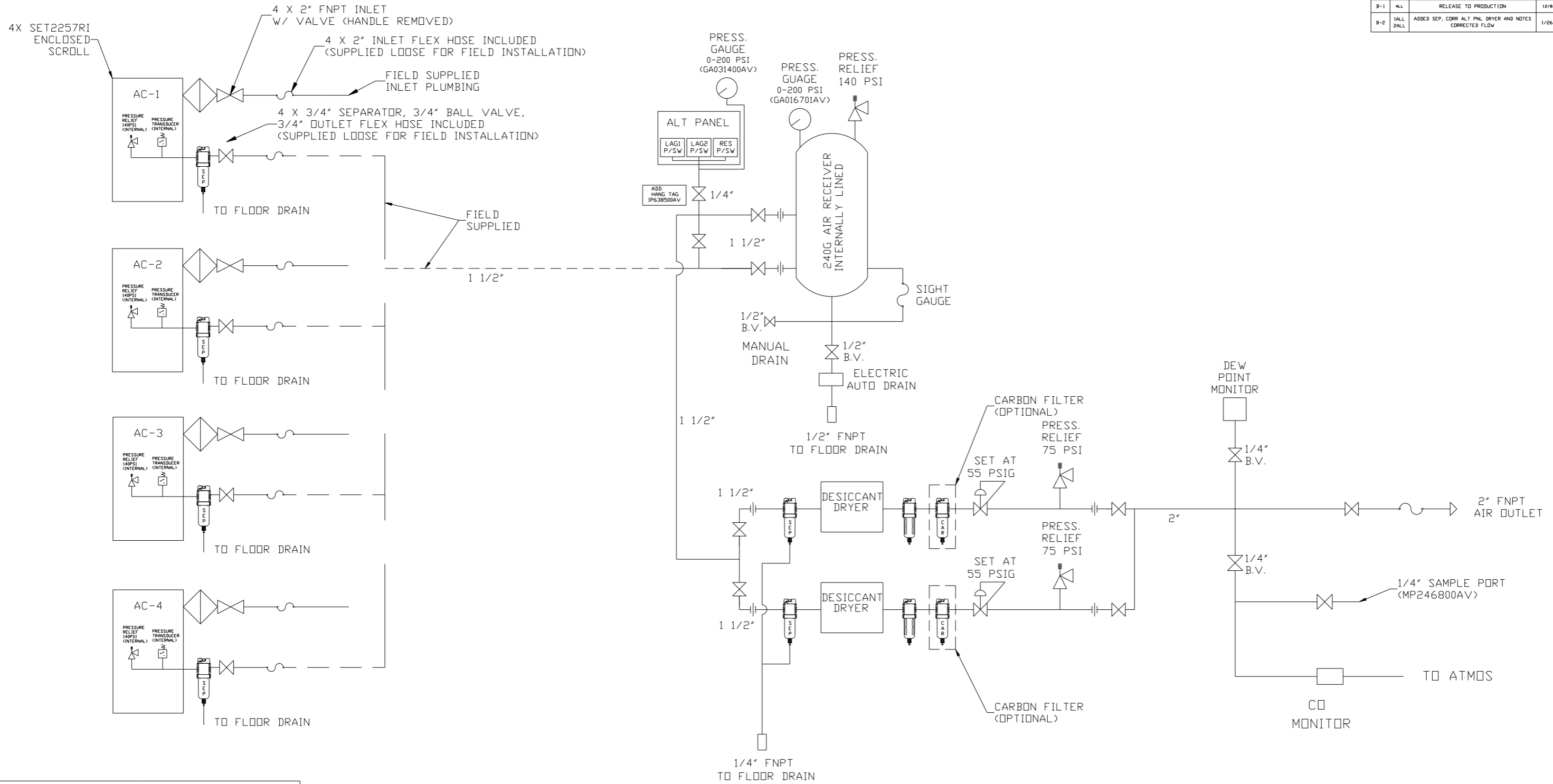
REV	ZONE	REVISION	DATE	ECN	NAME	CHKD
B-1	ALL	RELEASE TO PRODUCTION	12/8/16	PREC010	RK	JA
B-2	ALL	ADDED SEP. CORR ALT PNL DRYER AND NOTES CORRECTED FLOW	1/26/17	PREC010B	GES	JA



- NOTES:
- 1) SHEET 1, UNIT LAYOUT.
 - 2) SHEET 2, UNIT FLOW SCHEMATIC.
 - 3) INLET CONNECTIONS: 2" FNPT X 4.
 - 4) SYSTEM OUTLET CONNECTION: 2" FNPT X 1.
 - 5) POWER CONNECTION EACH ENCLOSURE: 1-230, OR 460 VOLT, ALTERNATION PANEL: 115V
 - 6) WHEN PACKAGE IS INSTALLED INTO THE FACILITY, MAKE SURE THAT THE INSTALLER REFERENCES TABLE 110.26 (A) (1) FOR MINIMUM WORKING AREA.
 - 7) DIRECTION OF INTAKE CONNECTIONS MAY BE MODIFIED AT INSTALLATION BY ADJUSTING PIPE THREAD CONNECTIONS.

SYMBOL LEGEND		= ADDITIONAL CONTROL REQ'D		Drawings to conform to the current revision of the following ANSI standards:	
⊖	MINUS DRAFT	⊕	PLUS DRAFT	Y14.3 Multi and sectional view dgs. Y14.5M Dimensioning and tolerancing	
TOLERANCES NOT SPECIFIED		AUTOCAD LT 2014		DO NOT SCALE DRAWING FOR DIMENSIONS	
.XX	± 0.10	INCH		Sheet of 2	
.XXX	± 0.05			SCALE 1:18	
<< DEG >	± 5°				
CONFIDENTIAL DISCLOSURE		DRAWN BY		CHECKED BY	
This drawing is the property of POWEREX, INC. of the SCOTT FETZER COMPANY and subject to return on demand. Its contents are confidential and must not be copied or submitted to outside parties for use or examination.		RK		JA	
		12/8/16		12/8/16	
		12/8/16		12/8/16	
MATERIAL		N/A		APPROVED BY	
PART NAME		MEDICAL SCROLL		MFG/MKTG	
		22.5HP QUADPLEX		JA CT	
DVG NO		MSEQ2256		SIZE	
				D	

REV	ZONE	REVISION	DATE	ECN	NAME	CHKD
B-1	ALL	RELEASE TO PRODUCTION	12/8/16	PREC010	RK	JA
B-2	ALL	ADDED SEP. CORR ALT PNL DRYER AND NOTES CORRECTED FLOW	1/26/17	PREC010	GES	JA



LEGEND	
	INTAKE FILTER
	AIR FILTER
	BALL VALVE
	CARBON FILTER
	DIVERTER VALVE
	REGULATOR
	CHECK VALVE
	SEPERATOR
	FLEX JOINT
	UNION

- NOTES:
- 1) SHEET 1, UNIT LAYOUT.
 - 2) SHEET 2, UNIT FLOW SCHEMATIC.
 - 3) INLET CONNECTIONS: 2" FNPT X 4.
 - 4) SYSTEM OUTLET CONNECTION: 2" FNPT X 1.
 - 5) POWER CONNECTION EACH ENCLOSURE: 1-230, OR 460 VOLT, ALTERNATION PANEL: 115V
 - 6) WHEN PACKAGE IS INSTALLED INTO THE FACILITY, MAKE SURE THAT THE INSTALLER REFERENCES TABLE 110.26 (A) (1) FOR MINIMUM WORKING AREA.
 - 7) DIRECTION OF INTAKE CONNECTIONS MAY BE MODIFIED AT INSTALLATION BY ADJUSTING PIPE THREAD CONNECTIONS.

SYMBOL LEGEND		AUTOCAD LT 2014		DO NOT SCALE DRAWING FOR DIMENSIONS	
	= MINUS DRAFT		= ADDITIONAL CONTROL REQ'D	Drawings to conform to the current revision of the following ANSI standards: Y14.3 Multi and sectional view dgs, Y14.5M Dimensioning and tolerancing	
	= PLUS DRAFT		= BRINELL HARDNESS	TOLERANCES NOT SPECIFIED	
.XX ± .010		INCH		Sheet 2 of 2	SCALE 1:18
.XXX ± .005				CONFIDENTIAL DISCLOSURE	
<< DEG > ± .5°				This drawing is the property of POWEREX, INC. of the SCOTT FETZER COMPANY and subject to return on demand. Its contents are confidential and must not be copied or submitted to outside parties for use or examination.	
MATERIAL		N/A		DRAWN BY: RK	
PART NAME		ENCLOSED SCROLL FLOW SCHEMATIC		CHECKED BY: JA	
				APPROVED BY: JA	
				MFG/MRKTG: CT	
				12/8/16 12/8/16 12/8/16 12/8/16	
				150 PRODUCTION DRIVE, HARRISON, OHIO 45030	
				Ph: 888-769-7979 FAX: (513) 367-3125	
				DWG NO: MSEQ2256	
				SIZE: D	