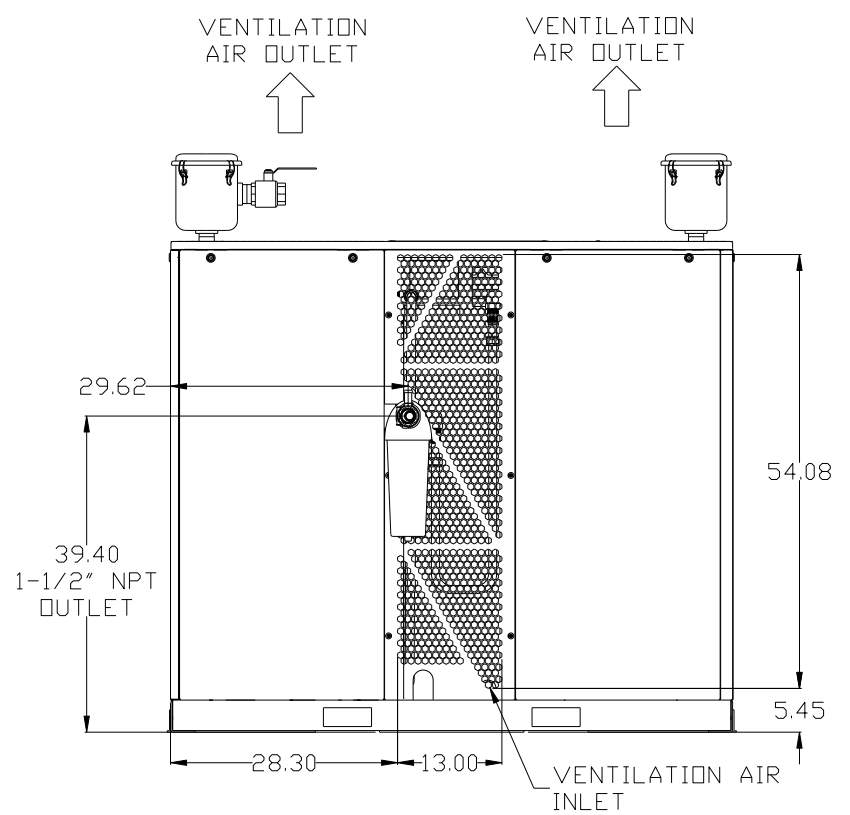
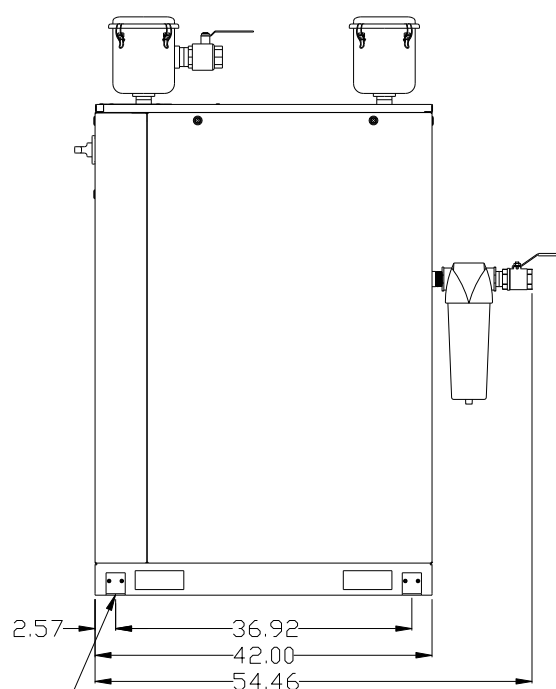
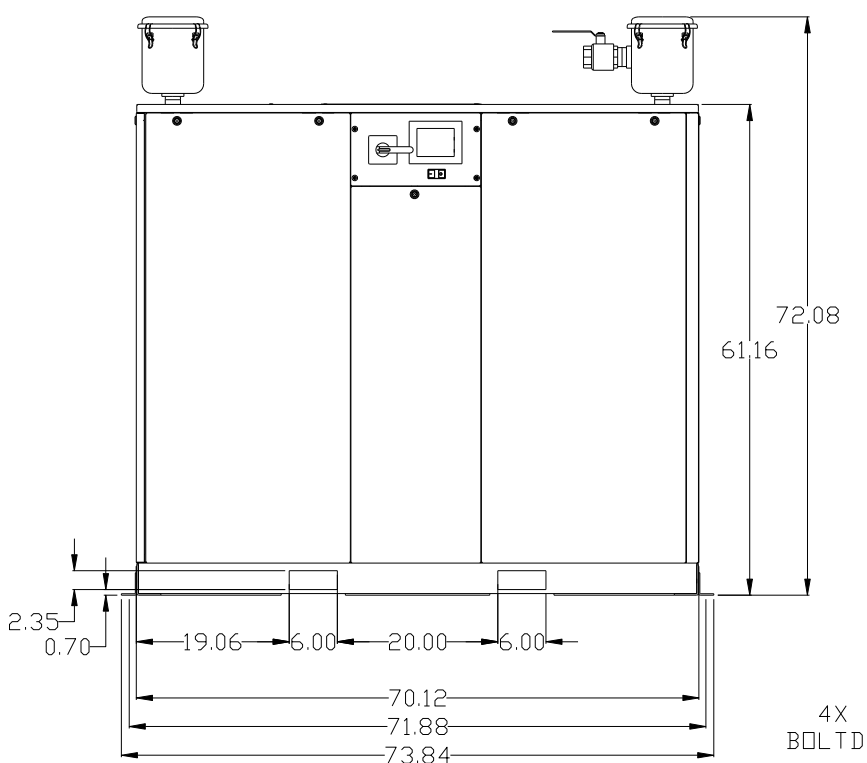
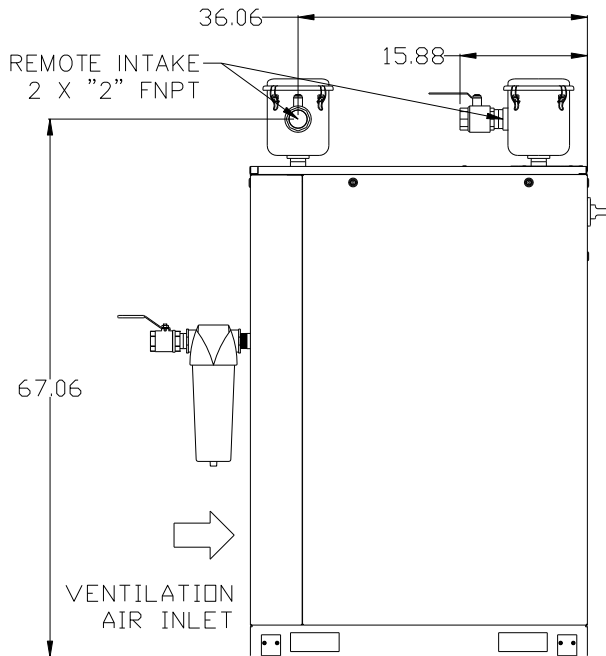
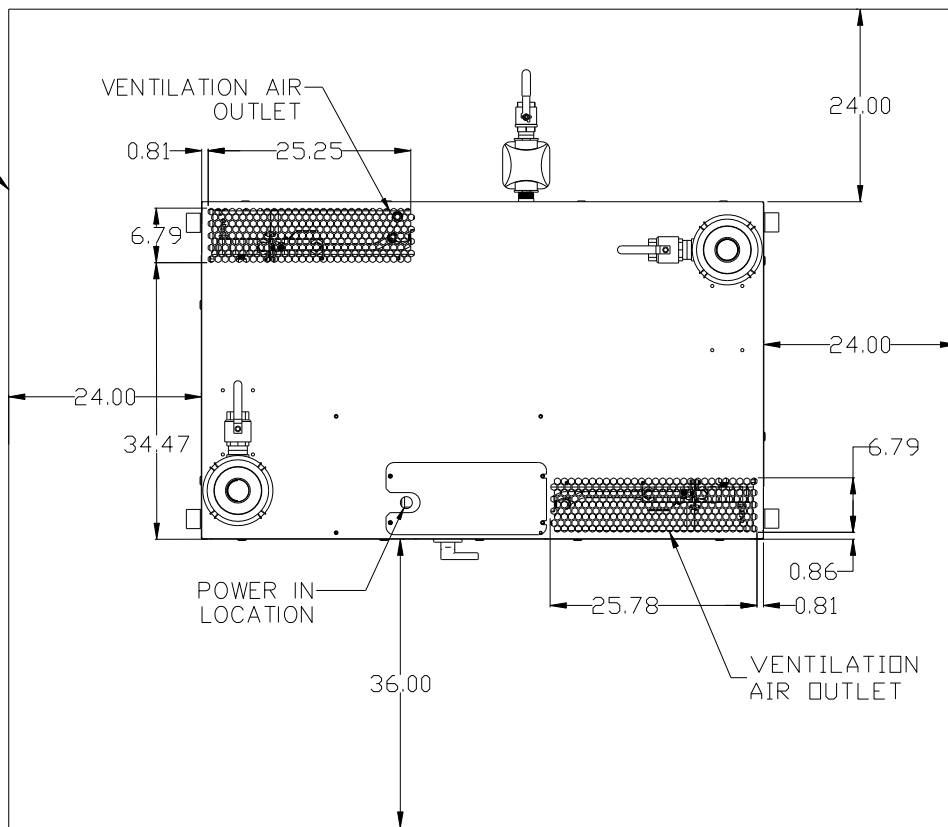


REV	ZONE	REVISION	DATE	ECN	NAME	CHKD
B-1	ALL	RELEASE TO PRODUCTION	12/8/16	PKEC010	RK	JA
B-2	1ALL 2C-4 3B-4 4ALL 5ALL	ADDED INLET BY AND OUTLET SEPARATOR ADDED TANK SIZE AND INTERNALLY LINED CORRECTED MISSING FILTERS ADDED SEPARATORS, 24 TO 36 SPACING CDRR INLET SIZE & ADDED FLEX, ALT PANEL	1/20/17	PKEC010	GES	JA



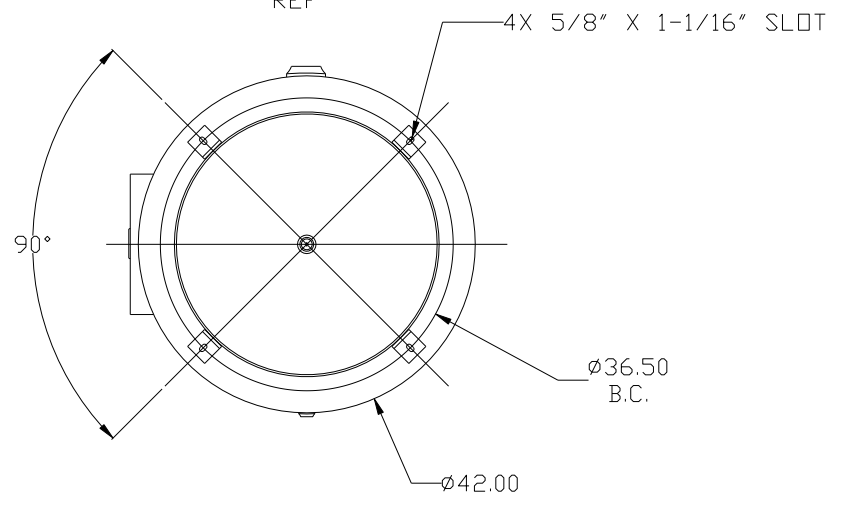
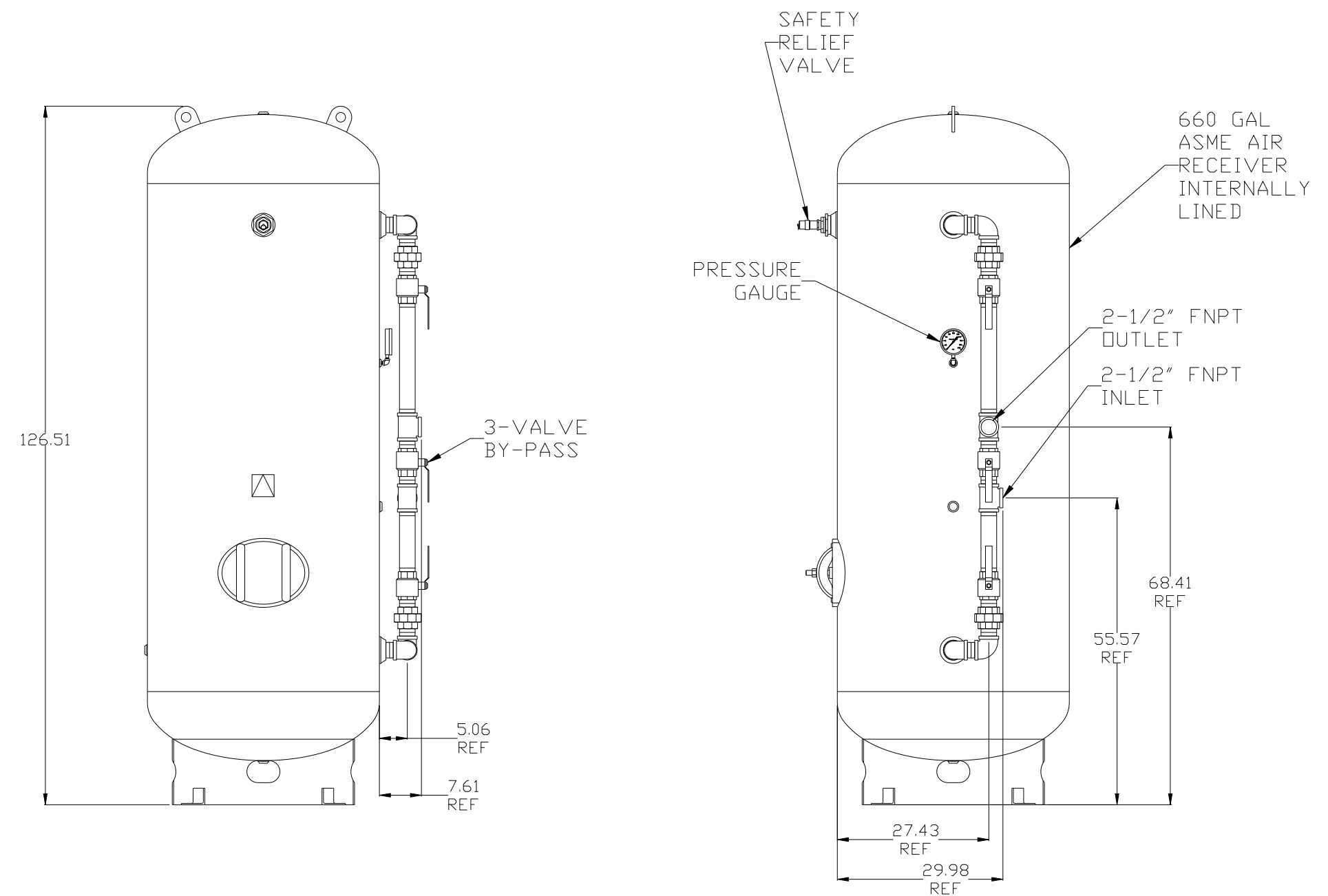
- NOTES:
- 1) SHEET 1 - SEH60B7R1 SCROLL ENCLOSURE LAYOUT
SHEET 2 - RECEIVER LAYOUT
SHEET 3 - AIR TREATMENT LAYOUT
SHEET 4 - PLAN VIEW
SHEET 5 - FLOW SCHEMATIC
 - 2) INLET CONNECTIONS: 2" NPT X 8.
 - 3) SYSTEM OUTLET CONNECTION: 3" NPT X 1.
 - 4) POWER CONNECTION: 1-230, OR 460 VOLT EACH ENCLOSURE, 115V DRYER AND CONTROL.
 - 5) WHEN PACKAGE IS INSTALLED INTO THE FACILITY, VERIFY THE INSTALLER REFERENCES TABLE 110.26 (A) (1) FOR MINIMUM WORKING AREA.
 - 6) DIRECTION OF THE INTAKE CONNECTIONS MAY BE MODIFIED AT THE TIME OF INSTALLATION BY ADJUSTING THE PIPE THREAD CONNECTIONS.

SYMBOL LEGEND		= ADDITIONAL CONTROL REQ'D		Drawings to conform to the current revision of the following ANSI standards	
⊖	MINUS DRAFT	⊕	PLUS DRAFT	Y14.3	Multi and sectional view dsgs.
⊕	PLUS DRAFT	⊖	MINUS DRAFT	Y14.5M	Dimensioning and tolerancing
TOLERANCES NOT SPECIFIED		AUTOCAD LT 2014		DO NOT SCALE DRAWING FOR DIMENSIONS	
.XX ±		INCH		Sheet 1 of 5	
.XXX ±				SCALE 1:12	
<<DEG> ±					
CONFIDENTIAL DISCLOSURE					
This drawing is the property of POWEREX, INC. of the SCOTT FETZER COMPANY and subject to return on demand. Its contents are confidential and must not be copied or submitted to outside parties for use or examination.					
DRAWN BY		CHECKED BY		APPROVED BY	
RK		JA		JA CT	
12/8/16		12/8/16		12/8/16 12/8/16	
MATERIAL ON DRAWING					
PART NAME MEDICAL SCROLL ENCLOSED QUAD 60HP					
DRAWING NO. MSEQ60B8				SIZE D	

MSE060B8

8 7 6 5 4 3 2 1

REV	ZONE	REVISION	DATE	ECN	NAME	CHKD
B-1	ALL	RELEASE TO PRODUCTION	12/8/16	PKEC010	RK	JA
B-2	ALL	ADDED INLET BY-PASS AND OUTLET SEPARATOR ADDED TANK SIZE AND INTERNALLY LINED CORRECTED MISSING FILTERS ADDED SEPARATORS, 24 TO 36 SPACING CORR. INLET SIZE & ADDED FLEX. ALT PANEL	1/20/17	PKEC010	GES	JA



- NOTES:
- 1) SHEET 1 - SEH60B7R1 SCROLL ENCLOSURE LAYOUT
SHEET 2 - RECEIVER LAYOUT
SHEET 3 - AIR TREATMENT LAYOUT
SHEET 4 - PLAN VIEW
SHEET 5 - FLOW SCHEMATIC
 - 2) INLET CONNECTIONS: 2" NPT X 1.
 - 3) SYSTEM OUTLET CONNECTION: 3" NPT X 1.
 - 4) POWER CONNECTION: 1-230, OR 460 VOLT EACH ENCLOSURE, 115V DRYER AND CONTROL.
 - 5) WHEN PACKAGE IS INSTALLED INTO THE FACILITY, VERIFY THE INSTALLER REFERENCES TABLE 110.26 (A) (1) FOR MINIMUM WORKING AREA.
 - 6.) DIRECTION OF THE INTAKE CONNECTIONS MAY BE MODIFIED AT THE TIME OF INSTALLATION BY ADJUSTING THE PIPE THREAD CONNECTIONS.

SYMBOL LEGEND ⊖ = MINUS DRAFT ⊕ = PLUS DRAFT ⊕ = ADDITIONAL CONTROL REQ'D HRC = BRINELL HARDNESS		Drawings to conform to the current revision of the following ANSI standards: Y14.3 Multi and sectional view dgs. Y14.5M Dimensioning and tolerancing	
TOLERANCES NOT SPECIFIED .XX ± .XXX ± \angle (DEG) ±		AUTOCAD LT 2014 INCH	DO NOT SCALE DRAWING FOR DIMENSIONS Sheet 2 of 5 SCALE 1:12
CONFIDENTIAL DISCLOSURE This drawing is the property of POWEREX, INC. of the SCOTT FETZER COMPANY and subject to return on demand. Its contents are confidential and must not be copied or submitted to outside parties for use or examination.			
DRAWN BY RK	CHECKED BY JA	APPROVED BY ENGINEERING JA	MFG/MRKTG CT
12/8/16	12/8/16	12/8/16	12/8/16
MATERIAL ON DRAWING		 150 PRODUCTION DRIVE, HARRISON, OHIO 45030 Ph 888-769-7979 FAX (513) 367-3125	
PART NAME MEDICAL SCROLL ENCLOSED QUAD 60HP		DWG NO MSEQ60B8	SIZE D

8 7 6 5 4 3 2 1

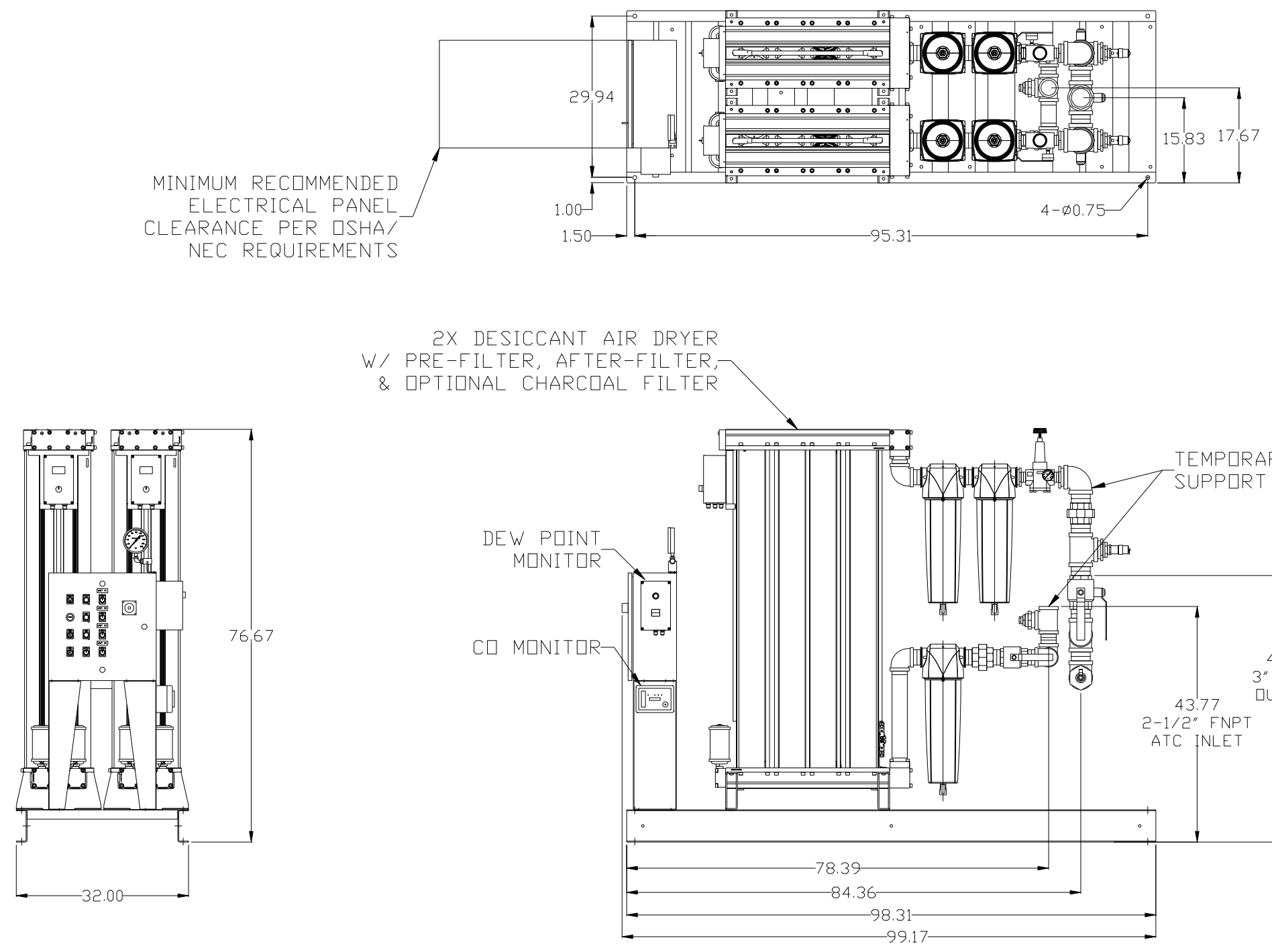
REV	ZONE	REVISION	DATE	ECN	NAME	CHKD
B-1	ALL	RELEASE TO PRODUCTION	12/8/16	PKE0180	RK	JA
B-2	1ALL 2C-4 3B-4 4ALL 5ALL	ADDED INLET BY AND OUTLET SEPARATOR ADDED TANK SIZE AND INTERNALLY LINED CORRECTED MISSING FILTERS ADDED SEPARATORS, 24 TO 36 SPACING CORR. INLET SIZE & ADDED FLEX. ALT PANEL	1/20/17	PKE0180	GES	JA

MINIMUM RECOMMENDED
ELECTRICAL PANEL
CLEARANCE PER OSHA/
NEC REQUIREMENTS

2X DESICCANT AIR DRYER
W/ PRE-FILTER, AFTER-FILTER,
& OPTIONAL CHARCOAL FILTER

TEMPORARY SHIPPING
SUPPORT REQUIRED

DEW POINT
MONITOR
CO MONITOR

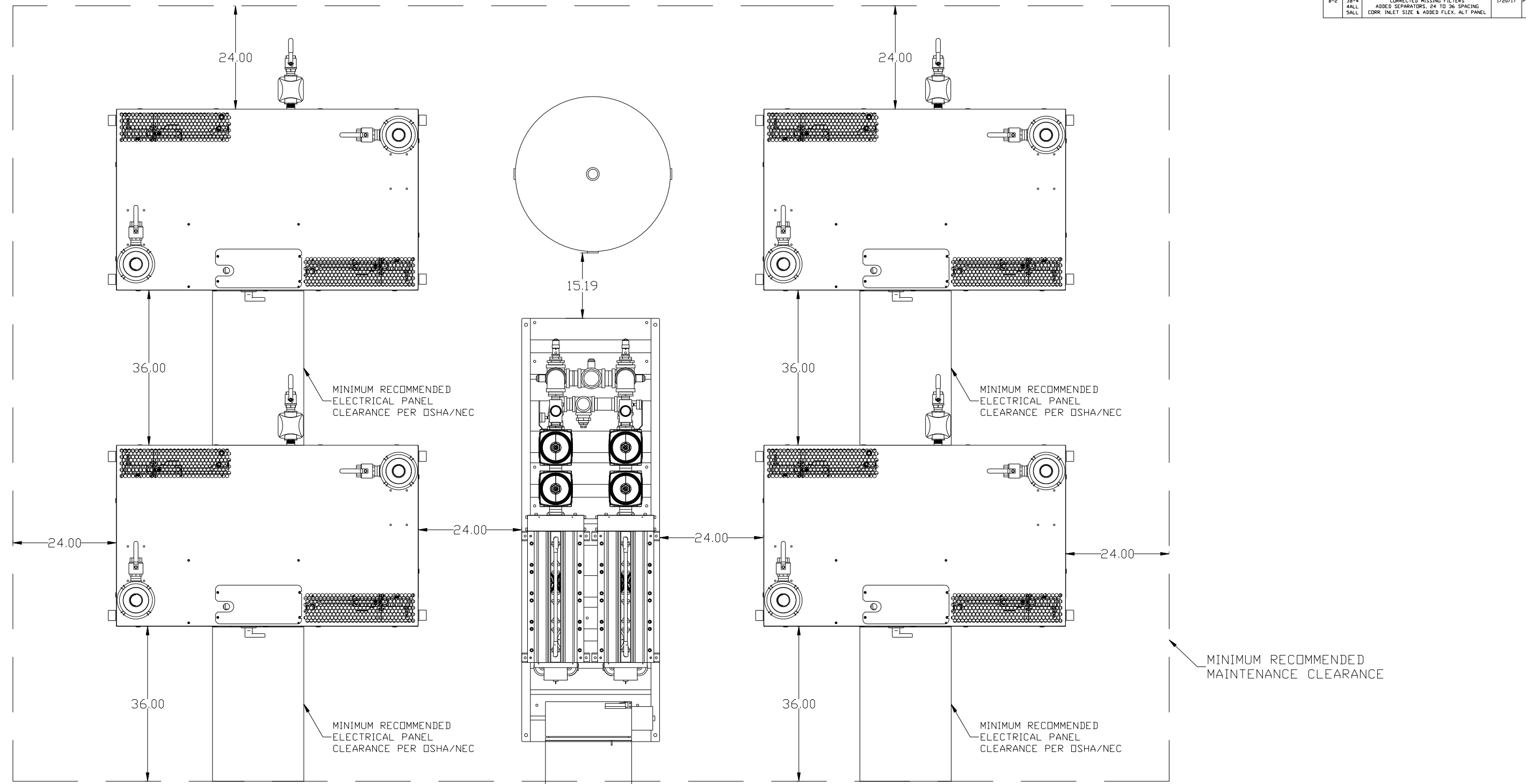


- NOTES:
- 1) SHEET 1 - SEH60B7RI SCROLL ENCLOSURE LAYOUT
SHEET 2 - RECEIVER LAYOUT
SHEET 3 - AIR TREATMENT LAYOUT
SHEET 4 - PLAN VIEW
SHEET 5 - FLOW SCHEMATIC
 - 2) INLET CONNECTIONS: 2" NPT X 8.
 - 3) SYSTEM OUTLET CONNECTION: 3" NPT X 1.
 - 4) POWER CONNECTION: 1-230, OR 460 VOLT EACH ENCLOSURE, 115V DRYER AND CONTROL.
 - 5) WHEN PACKAGE IS INSTALLED INTO THE FACILITY, VERIFY THE INSTALLER REFERENCES TABLE 110.26 (A) (1) FOR MINIMUM WORKING AREA.
 - 6.) DIRECTION OF THE INTAKE CONNECTIONS MAY BE MODIFIED AT THE TIME OF INSTALLATION BY ADJUSTING THE PIPE THREAD CONNECTIONS.

SYMBOL LEGEND		AUTOCAD LT 2014		DO NOT SCALE DRAWING FOR DIMENSIONS		
⊖ = MINUS DRAFT	⊕ = PLUS DRAFT	⊕ = ADDITIONAL CONTROL REQ'D	⊕ = BRINELL HARDNESS	Drawings to conform to the current revision of the following ANSI standards: Y14.3 Multi: and sectional view dings Y14.5M Dimensioning and tolerancing		
TOLERANCES NOT SPECIFIED	.XX ± .XXX ± ∠(DEG.) ±	INCH	SCALE	Sheet 3 of 5 1:12		
CONFIDENTIAL DISCLOSURE This drawing is the property of POWEREX, INC. of the SCOTT FETZER COMPANY and subject to return on demand. Its contents are confidential and must not be copied or submitted to outside parties for use or examination.		DRAWN BY RK	CHECKED BY JA	APPROVED BY ENGINEERING JA	MFG/MKTG CT	
MATERIAL ON DRAWING		12/8/16	12/8/16	12/8/16	12/8/16	
PART NAME MEDICAL SCROLL ENCLOSED QUAD 60HP		 150 PRODUCTION DRIVE, HARRISON, OHIO 45030 Ph: 888-769-7979 FAX: (513) 367-3125		DWG NO MSEQ60B8	SIZE D	

REV	ZONE	REVISION	DATE	ECN	NAME	CHKD
B-1	ALL	RELEASE TO PRODUCTION	12/8/16	PKEC0180	RK	JA
B-2	1ALL 2C-4 3B-4 4ALL 5ALL	ADDED INLET BY AND OUTLET SEPARATOR ADDED TANK SIZE AND INTERNALLY LINED CORRECTED MISSING FILTERS ADDED SEPARATORS, 24 TO 36 SPACING CDRR INLET SIZE & ADDED FLEX, ALT PANEL	1/20/17	PKEC0180	GES	JA

8 7 6 5 4 3 2 1

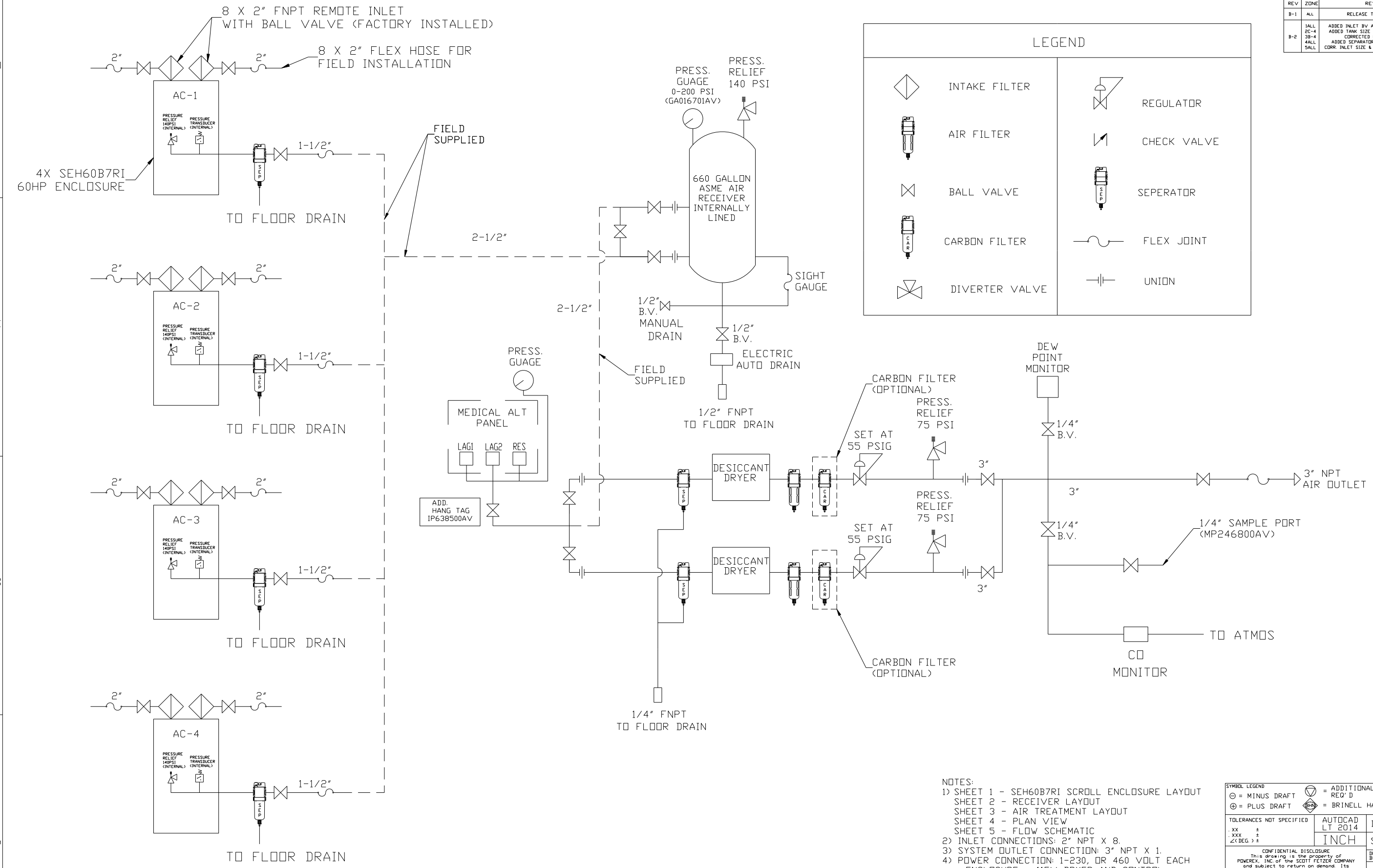
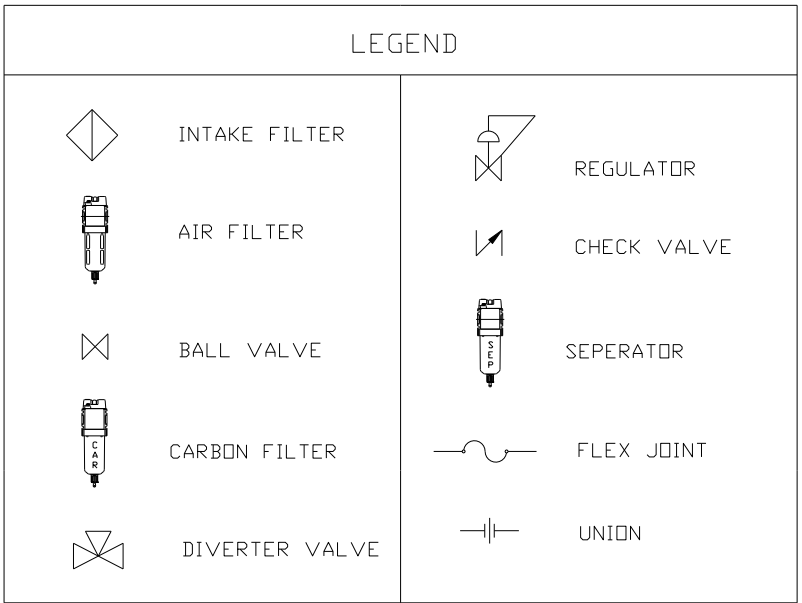


- NOTES:
- 1) SHEET 1 - SEH60B7RI SCROLL ENCLOSURE LAYOUT
SHEET 2 - RECEIVER LAYOUT
SHEET 3 - AIR TREATMENT LAYOUT
SHEET 4 - PLAN VIEW
SHEET 5 - FLOW SCHEMATIC
 - 2) INLET CONNECTIONS: 2" NPT X 8.
 - 3) SYSTEM OUTLET CONNECTION: 3" NPT X 1.
 - 4) POWER CONNECTION: 1-230, OR 460 VOLT EACH ENCLOSURE, 115V DRYER AND CONTROL.
 - 5) WHEN PACKAGE IS INSTALLED INTO THE FACILITY, VERIFY THE INSTALLER REFERENCES TABLE 110.26 (A) (1) FOR MINIMUM WORKING AREA.
 - 6.) DIRECTION OF THE INTAKE CONNECTIONS MAY BE MODIFIED AT THE TIME OF INSTALLATION BY ADJUSTING THE PIPE THREAD CONNECTIONS.

SYMBOL LEGEND		= ADDITIONAL CONTROL REQ'D		Drawings to conform to the current revision of the following ANSI standards	
⊖	MINUS DRAFT	⊕	PLUS DRAFT	Y14.3	Multi: and sectional view dings
⊕	PLUS DRAFT	⊖	MINUS DRAFT	Y14.5M	Dimensioning and tolerancing
TOLERANCES NOT SPECIFIED		AUTOCAD LT 2014		DO NOT SCALE DRAWING FOR DIMENSIONS	
.XX ±		INCH		Sheet 4 of 5	SCALE 1:12
.XXX ±					
<< DEG >> ±					
CONFIDENTIAL DISCLOSURE					
This drawing is the property of POWEREX, INC. of the SCOTT FETZER COMPANY and subject to return on demand. Its contents are confidential and must not be copied or submitted to outside parties for use or examination.					
DRAWN BY		CHECKED BY		APPROVED BY	
RK		JA		JA CT	
12/8/16		12/8/16		12/8/16 12/8/16	
MATERIAL		ON DRAWING		POWEREX	
PART NAME		MEDICAL SCROLL		150 PRODUCTION DRIVE, HARRISON, OHIO 45030 Ph: 888-769-7979 FAX: (513) 367-3125	
DWG NO		MSEQ60B8		SIZE D	
				MSEQ60B8	

8 7 6 5 4 3 2 1

REV	ZONE	REVISION	DATE	ECN	NAME	CHKD
B-1	ALL	RELEASE TO PRODUCTION	12/8/16	PREC010	RK	JA
B-2	ALL	ADDED INLET BY AND OUTLET SEPARATOR ADDED TANK SIZE AND INTERNALLY LINED CORRECTED MISSING FILTERS ADDED SEPARATORS, 24 TO 36 SPACING CDRR. INLET SIZE & ADDED FLEX. ALT PANEL	1/20/17	PREC010	GES	JA



- NOTES:**
- 1) SHEET 1 - SEH60B7RI SCROLL ENCLOSURE LAYOUT
SHEET 2 - RECEIVER LAYOUT
SHEET 3 - AIR TREATMENT LAYOUT
SHEET 4 - PLAN VIEW
SHEET 5 - FLOW SCHEMATIC
 - 2) INLET CONNECTIONS: 2" NPT X 8.
 - 3) SYSTEM OUTLET CONNECTION: 3" NPT X 1.
 - 4) POWER CONNECTION: 1-230, OR 460 VOLT EACH ENCLOSURE, 115V DRYER AND CONTROL.
 - 5) WHEN PACKAGE IS INSTALLED INTO THE FACILITY, VERIFY THE INSTALLER REFERENCES TABLE 110.26 (A) (1) FOR MINIMUM WORKING AREA.
 - 6.) DIRECTION OF THE INTAKE CONNECTIONS MAY BE MODIFIED AT THE TIME OF INSTALLATION BY ADJUSTING THE PIPE THREAD CONNECTIONS.

SYMBOL LEGEND = MINUS DRAFT = PLUS DRAFT = ADDITIONAL CONTROL REQ'D = BRINELL HARDNESS		Drawings to conform to the current revision of the following ANSI standards: Y14.3 Multi and sectional view dgs. Y14.5M Dimensioning and tolerancing	
TOLERANCES NOT SPECIFIED .XX ± .XXX ± Z (DEG) ±		AUTOCAD LT 2014 DO NOT SCALE DRAWING FOR DIMENSIONS Sheet 5 of 5 SCALE 1:12	
CONFIDENTIAL DISCLOSURE This drawing is the property of POWEREX, INC. OF THE SCOTT FETZER COMPANY and subject to return on demand. Its contents are confidential and must not be copied or submitted to outside parties for use or examination.			
DRAWN BY RK		CHECKED BY JA	
APPROVED BY JA		APPROVED BY CT	
12/8/16		12/8/16	
MATERIAL ON DRAWING		POWEREX 150 PRODUCTION DRIVE, HARRISON, OHIO 45030 Ph: 888-769-7979 FAX: (513) 367-3125	
PART NAME MEDICAL SCROLL ENCLOSED QUAD 60HP		DWG NO MSEQ60B8 SIZE D	