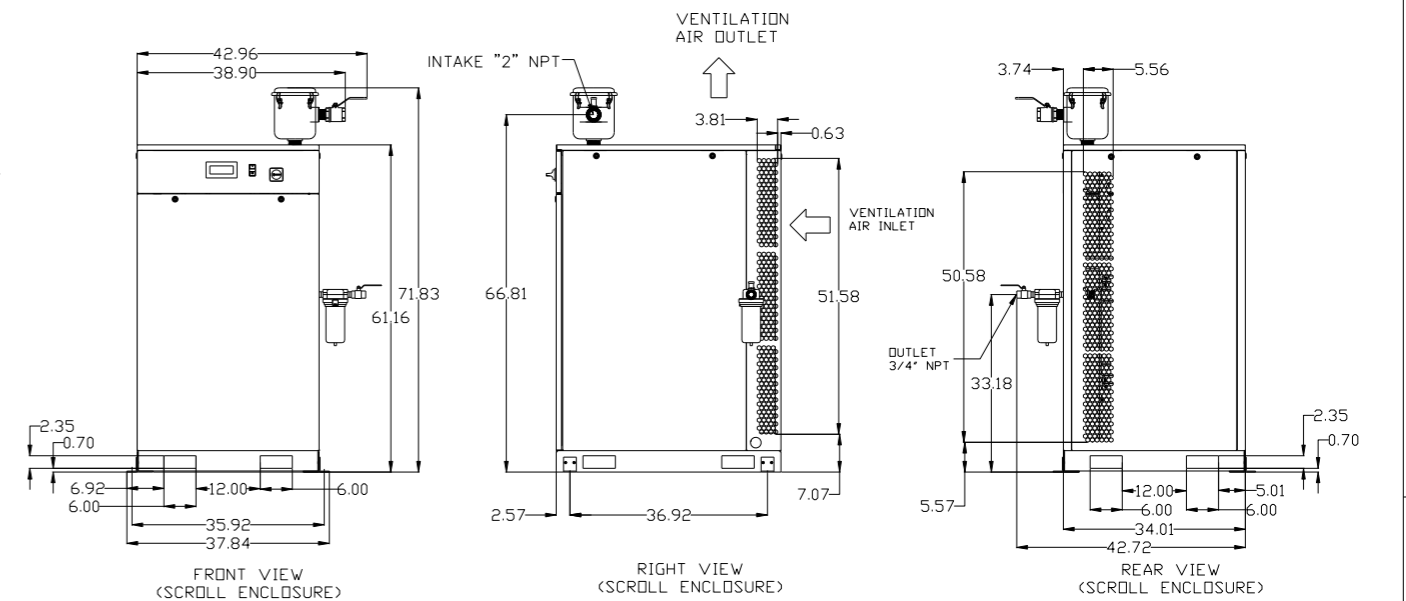
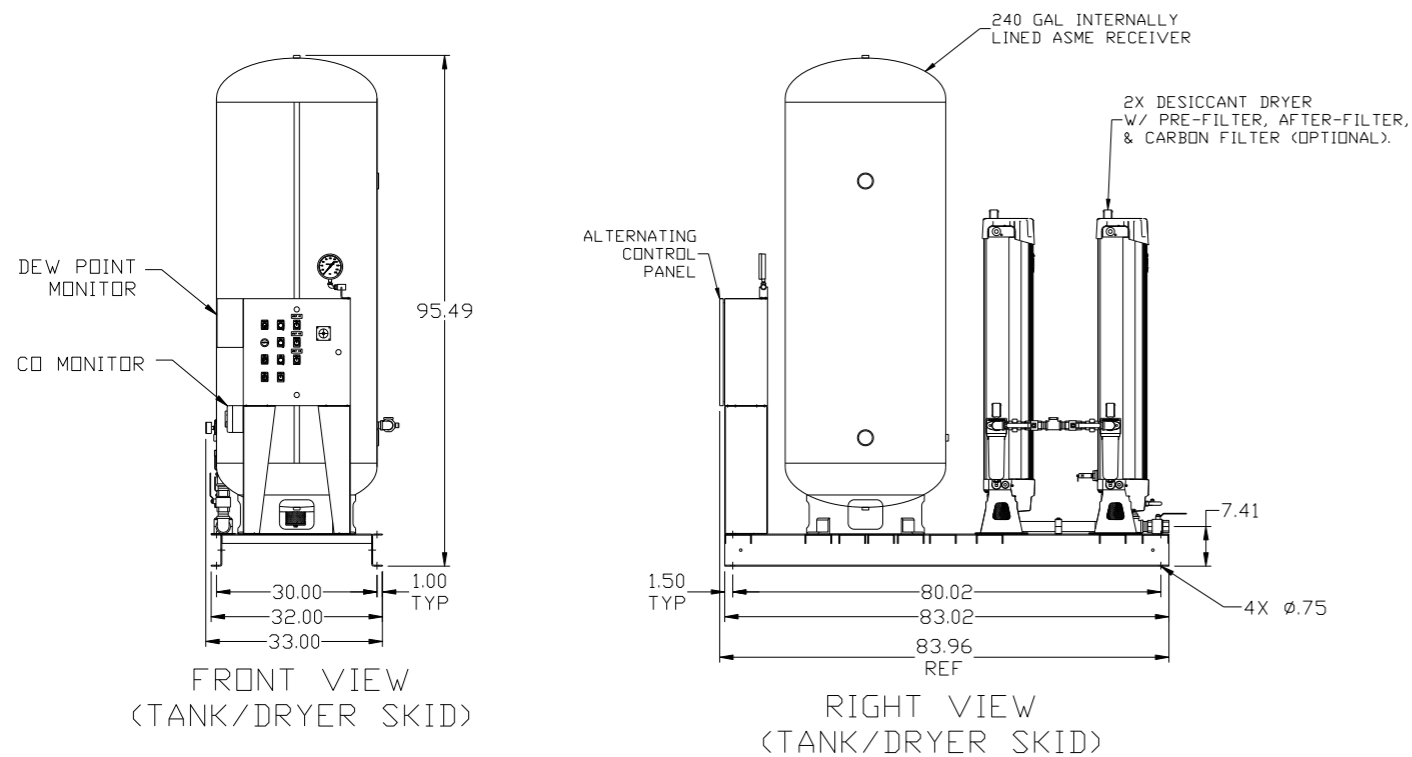
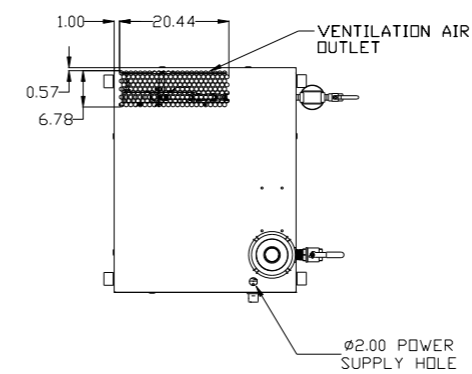
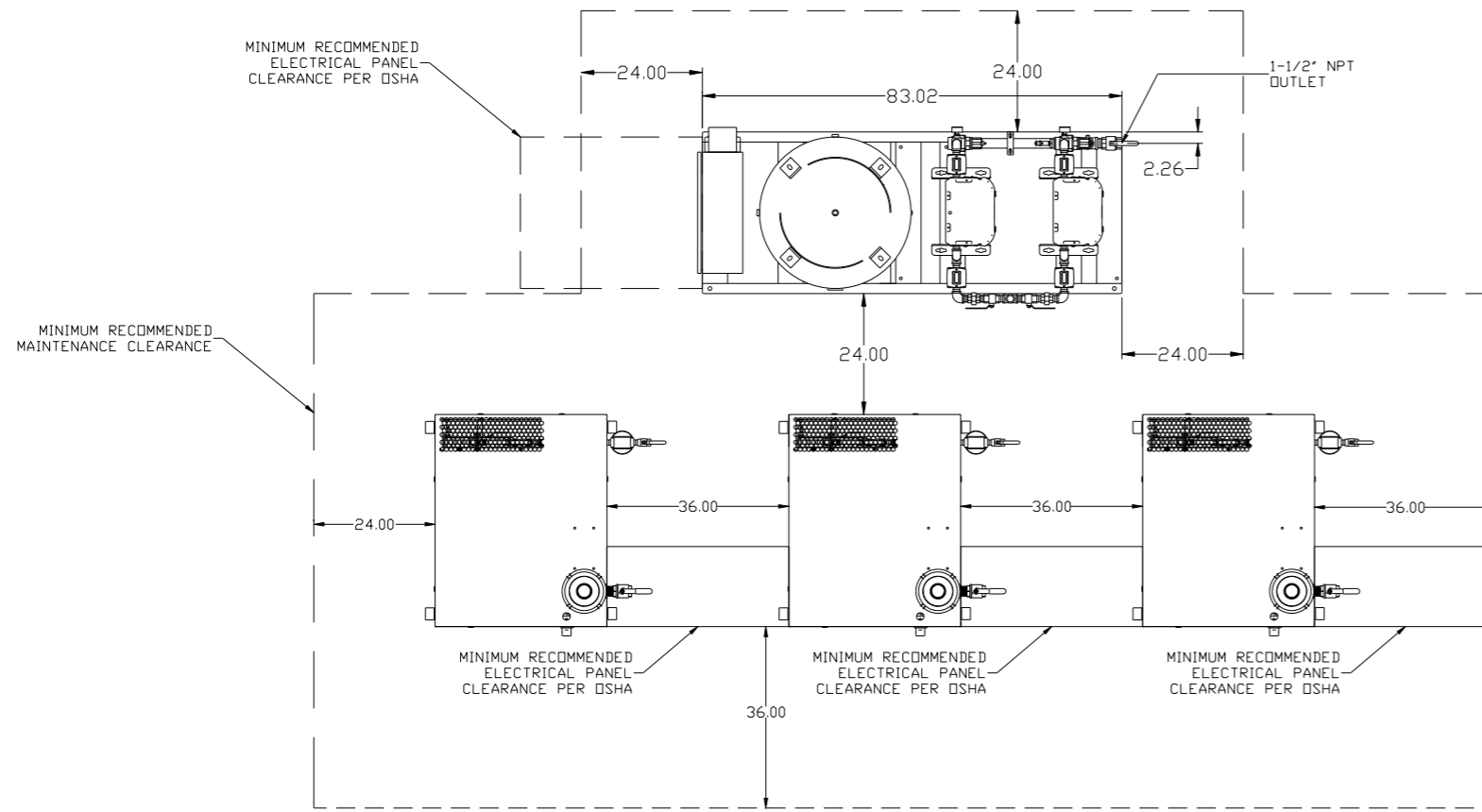


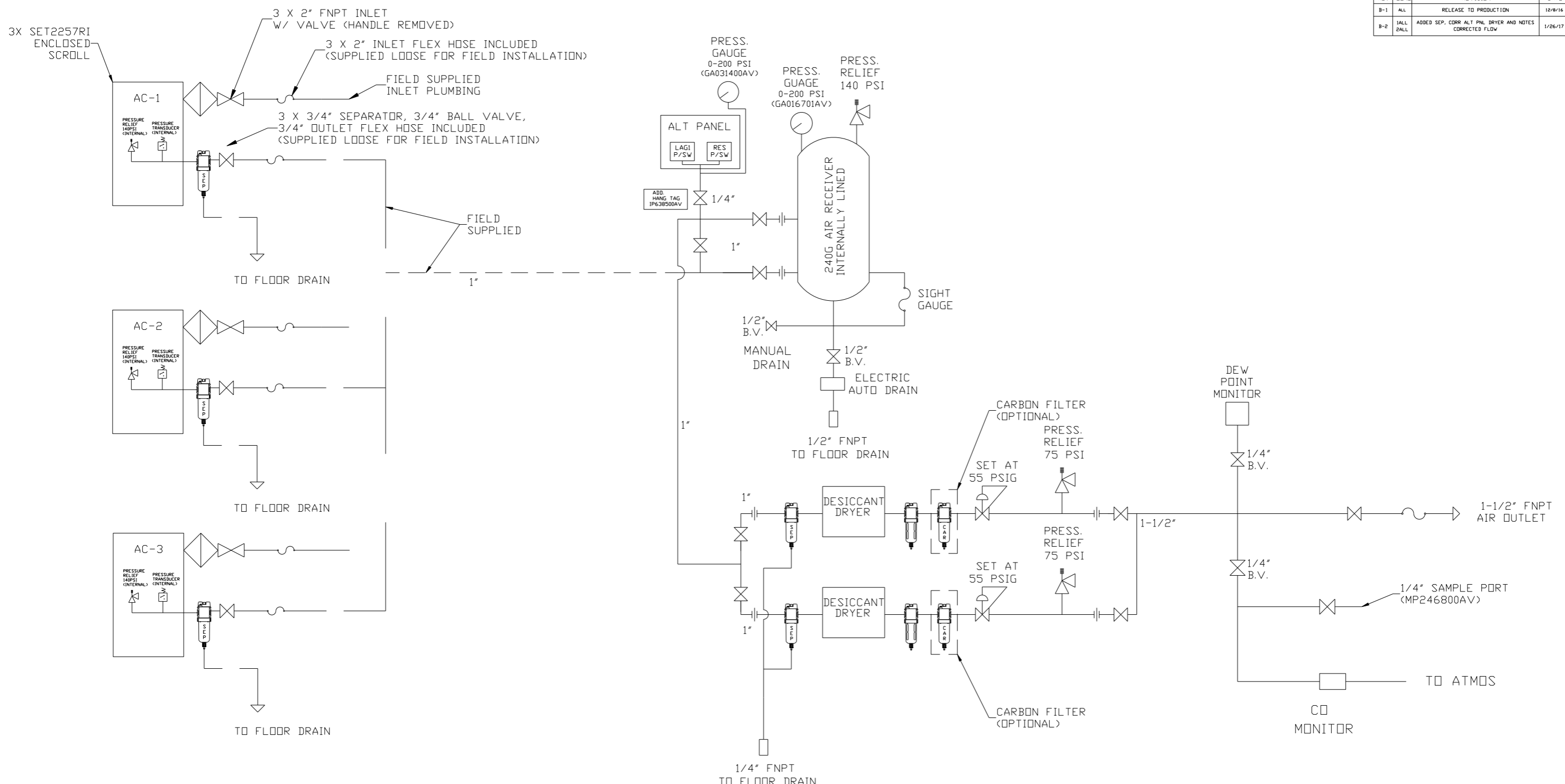
REV	ZONE	REVISION	DATE	ECN	NAME	CHKD
B-1	ALL	RELEASE TO PRODUCTION	12/8/16	PREC010	RK	JA
B-2	ALL	ADDED SEP. CORR ALT PNL DRYER AND NOTES CORRECTED FLOW	1/26/17	PREC010	GES	JA



- NOTES:
- 1) SHEET 1, UNIT LAYOUT.
 - 2) SHEET 2, UNIT FLOW SCHEMATIC.
 - 3) INLET CONNECTIONS: 2" FNPT X 3.
 - 4) SYSTEM OUTLET CONNECTION: 1 1/2" FNPT X 1.
 - 5) POWER CONNECTION EACH ENCLOSURE: 1-230, OR 460 VOLT, ALTERNATION PANEL: 115V
 - 6) WHEN PACKAGE IS INSTALLED INTO THE FACILITY, MAKE SURE THAT THE INSTALLER REFERENCES TABLE 110.26 (A) (1) FOR MINIMUM WORKING AREA.
 - 7) DIRECTION OF INTAKE CONNECTIONS MAY BE MODIFIED AT INSTALLATION BY ADJUSTING PIPE THREAD CONNECTIONS.

SYMBOL LEGEND		AUTOCAD LT 2014		DO NOT SCALE DRAWING FOR DIMENSIONS	
⊖	MINUS DRAFT	⊕	PLUS DRAFT	⊕	ADDITIONAL CONTROL REQ'D
⊕	MINUS DRAFT	⊖	PLUS DRAFT	⊕	BRINELL HARDNESS
.XX ± .010		.XXX ± .005		∠(DEG) ± 5°	
TOLERANCES NOT SPECIFIED		SCALE		Sheet 1 of 2	
CONFIDENTIAL DISCLOSURE		DRAWN BY		CHECKED BY	
This drawing is the property of POWEREX, INC. of the SCOTT FETZER COMPANY and subject to return on demand. Its contents are confidential and must not be copied or submitted to outside parties for use or examination.		RK		JA	
		12/8/16		12/8/16	
		12/8/16		12/8/16	
MATERIAL		APPROVED BY		MFG/MKTG	
N/A		JA		CT	
PART NAME		12/8/16		12/8/16	
MEDICAL ENCL SCROLL		12/8/16		12/8/16	
22.5HP TRIPLEX		12/8/16		12/8/16	
SIZE		D		MSET2256	

REV	ZONE	REVISION	DATE	ECN	NAME	CHKD
B-1	ALL	RELEASE TO PRODUCTION	12/8/16	PREC010	RK	JA
B-2	ALL	ADDED SEP. CORR ALT PNL DRYER AND NOTES CORRECTED FLOW	1/26/17	PREC010	GES	JA



LEGEND	
	INTAKE FILTER
	AIR FILTER
	BALL VALVE
	CARBON FILTER
	DIVERTER VALVE
	REGULATOR
	CHECK VALVE
	SEPERATOR
	FLEX JOINT
	UNION

- NOTES:
- 1) SHEET 1, UNIT LAYOUT.
 - 2) SHEET 2, UNIT FLOW SCHEMATIC.
 - 3) INLET CONNECTIONS: 2" FNPT X 3.
 - 4) SYSTEM OUTLET CONNECTION: 1 1/2" FNPT X 1.
 - 5) POWER CONNECTION EACH ENCLOSURE: 1-230, OR 460 VOLT, ALTERNATION PANEL: 115V
 - 6) WHEN PACKAGE IS INSTALLED INTO THE FACILITY, MAKE SURE THAT THE INSTALLER REFERENCES TABLE 110.26 (A) (1) FOR MINIMUM WORKING AREA.
 - 7) DIRECTION OF INTAKE CONNECTIONS MAY BE MODIFIED AT INSTALLATION BY ADJUSTING PIPE THREAD CONNECTIONS.

SYMBOL LEGEND		AUTOCAD LT 2014		DO NOT SCALE DRAWING FOR DIMENSIONS	
	= MINUS DRAFT		= ADDITIONAL CONTROL REQ'D	Drawings to conform to the current revision of the following ANSI standards: Y14.3 Multi and sectional view dsgs. Y14.5M Dimensioning and tolerancing	
	= PLUS DRAFT		= BRINELL HARDNESS	TOLERANCES NOT SPECIFIED	
.XX ± .010				Sheet 2 of 2	SCALE 1:18
.XXX ± .005					
< < DEG > ± .5°					
CONFIDENTIAL DISCLOSURE		DRAWN BY		APPROVED BY	
This drawing is the property of POWEREX, INC. of the SCOTT FETZER COMPANY and subject to return on demand. Its contents are confidential and must not be copied or submitted to outside parties for use or examination.		RK		JA	
		12/8/16		12/8/16	
MATERIAL		N/A		 150 PRODUCTION DRIVE, HARRISON, OHIO 45030 Ph: 888-769-7979 FAX: (513) 367-3125	
PART NAME		MEDICAL ENCL SCROLL		SIZE D	
		FLOW SCHEMATIC		MSET2256	