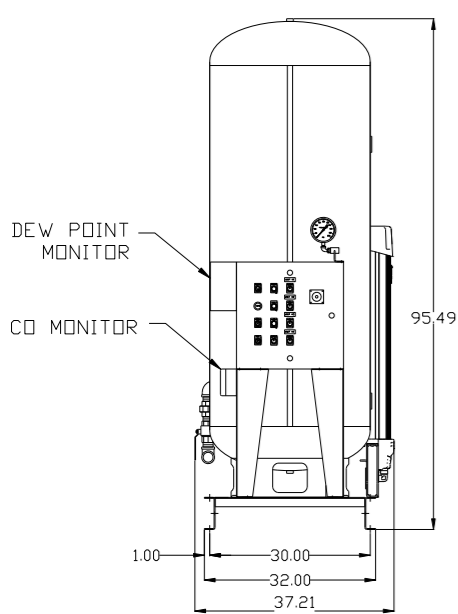
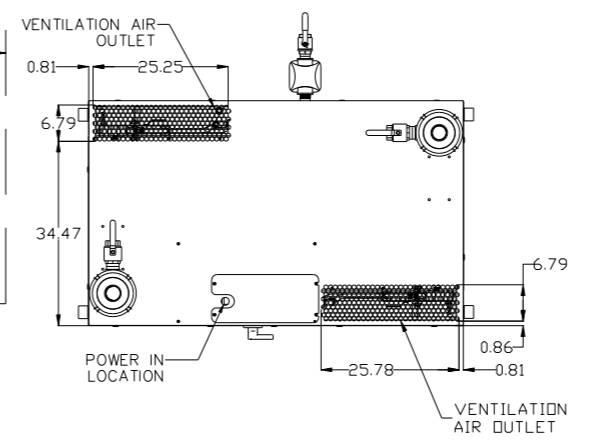
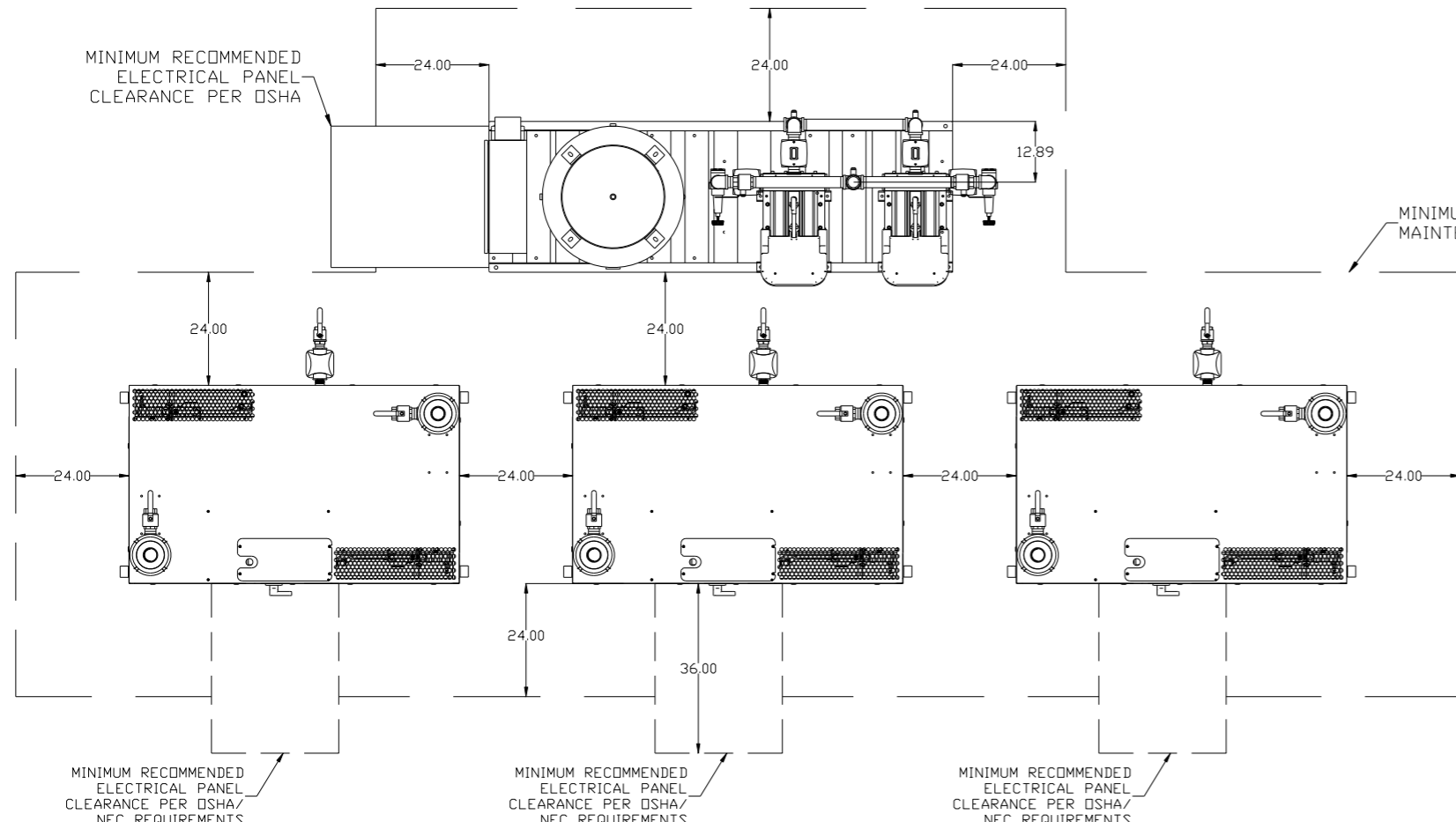
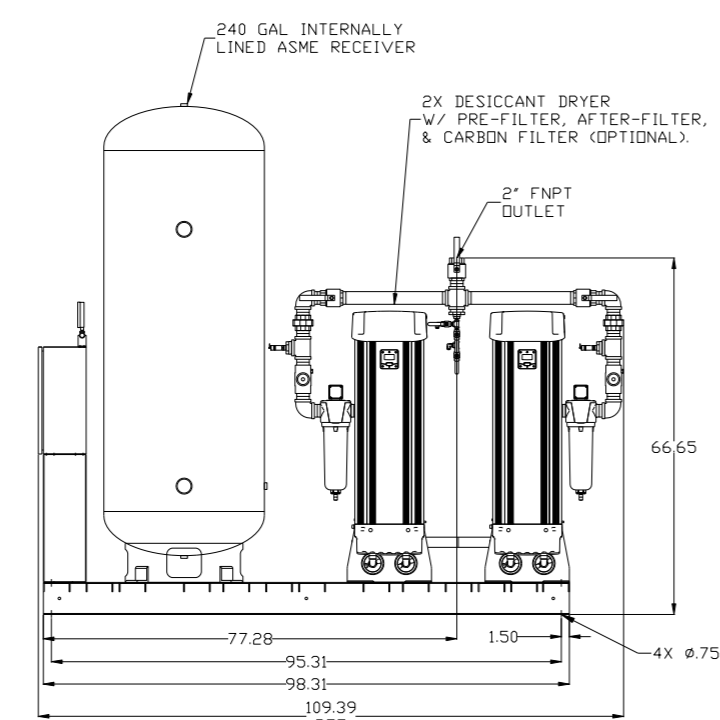


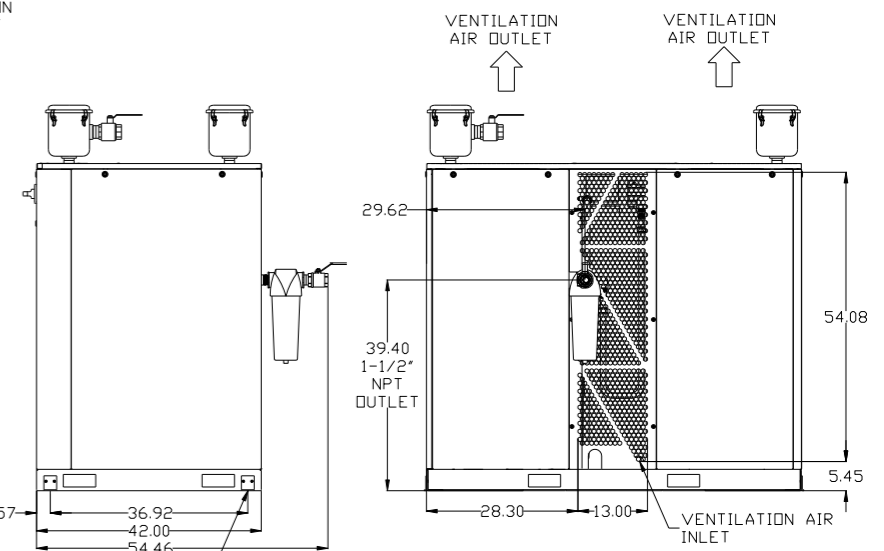
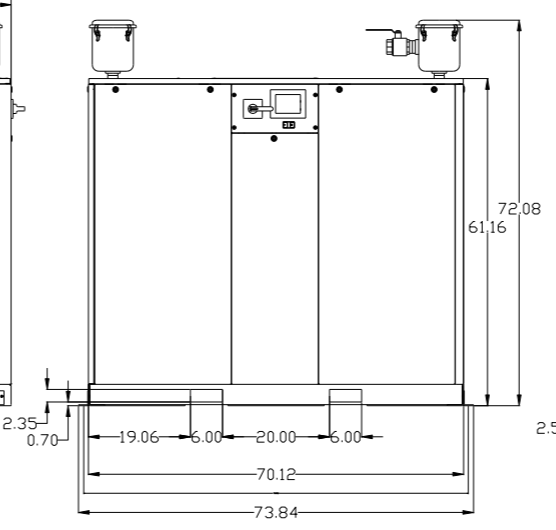
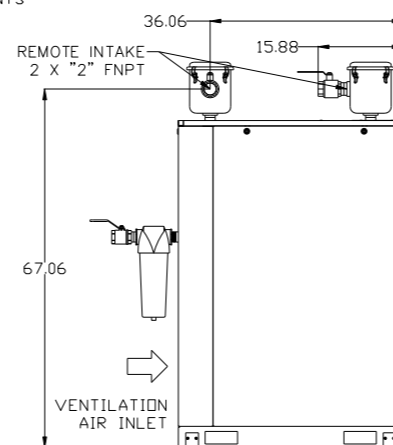
| REV | ZONE | REVISION | DATE | ECN | NAME | CHKD |
|-----|------|--|---------|----------|------|------|
| B-1 | ALL | RELEASE TO PRODUCTION | 12/8/16 | PREC010 | RK | JA |
| B-2 | ALL | ADDED SEP. CORR ALT PNL DRYER AND NOTES CORRECTED FLOW | 1/31/17 | PREC010B | GES | JA |



FRONT VIEW (TANK/DRYER SKID)



RIGHT VIEW (TANK/DRYER SKID)

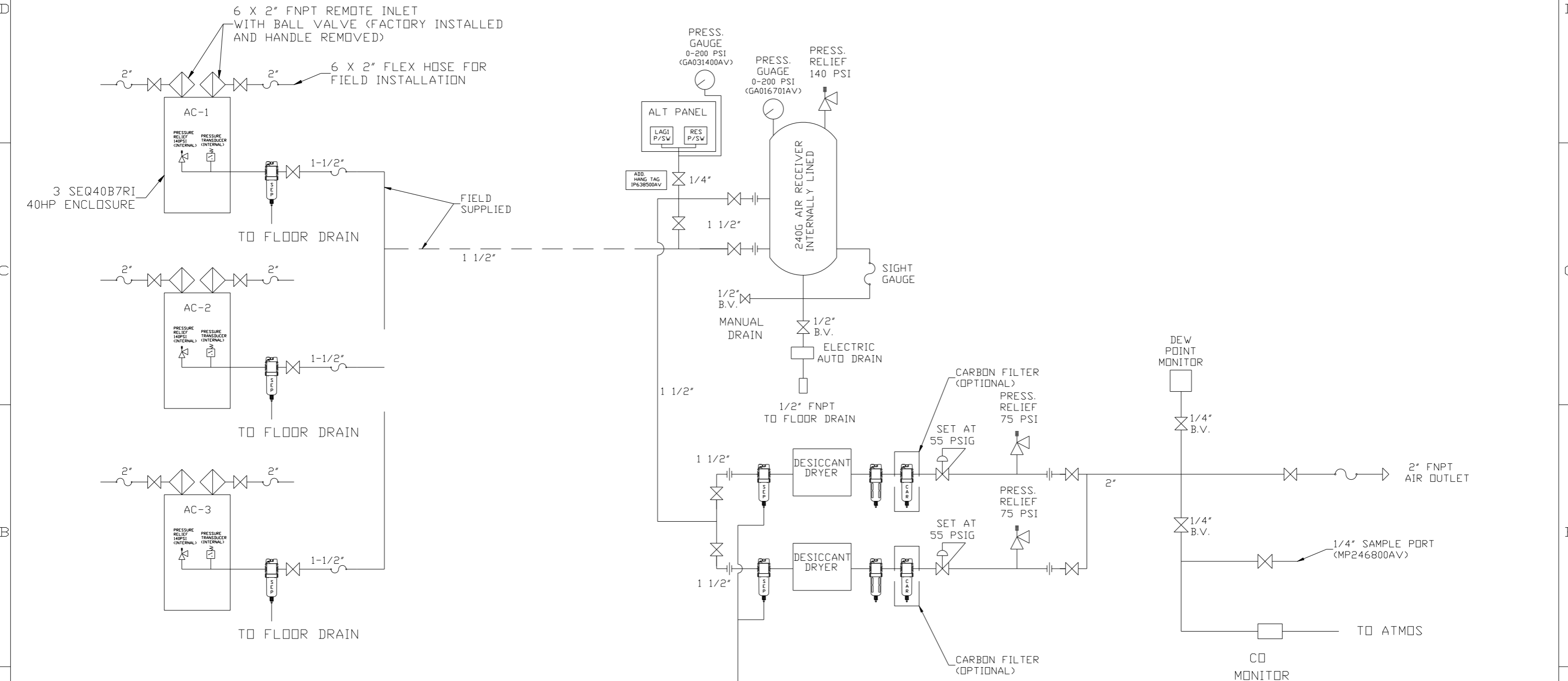


REAR VIEW (SCROLL ENCLOSURE)

- NOTES:
- 1) SHEET 1, UNIT LAYOUT.
 - 2) SHEET 2, UNIT FLOW SCHEMATIC.
 - 3) INLET CONNECTIONS: 2" FNPT X 6.
 - 4) SYSTEM OUTLET CONNECTION: 2" FNPT X 1.
 - 5) POWER CONNECTION EACH ENCLOSURE : 1-230, OR 460 VOLT, ALTERNATION PANEL: 115V
 - 6) WHEN PACKAGE IS INSTALLED INTO THE FACILITY, MAKE SURE THAT THE INSTALLER REFERENCES TABLE 110.26 (A) (1) FOR MINIMUM WORKING AREA.
 - 7) DIRECTION OF INTAKE CONNECTIONS MAY BE MODIFIED AT INSTALLATION BY ADJUSTING PIPE THREAD CONNECTIONS.

| SYMBOL LEGEND | | AUTOCAD LT 2014 | | DO NOT SCALE DRAWING FOR DIMENSIONS | |
|---|-------------|-----------------|------------|-------------------------------------|--|
| ⊖ | MINUS DRAFT | ⊕ | PLUS DRAFT | Sheet 1 of 2 | |
| ⊕ | MINUS DRAFT | ⊖ | PLUS DRAFT | SCALE 1:18 | |
| ⊕ | PLUS DRAFT | ⊖ | PLUS DRAFT | Sheet 1 of 2 | |
| ⊕ | PLUS DRAFT | ⊖ | PLUS DRAFT | SCALE 1:18 | |
| TOLERANCES NOT SPECIFIED | | AUTOCAD LT 2014 | | DO NOT SCALE DRAWING FOR DIMENSIONS | |
| .XX ± | | INCH | | Sheet 1 of 2 | |
| .XXX ± | | INCH | | SCALE 1:18 | |
| \angle(DEG) ± | | INCH | | SCALE 1:18 | |
| CONFIDENTIAL DISCLOSURE | | DRAWN BY | | CHECKED BY | |
| This drawing is the property of POWEREX, INC. of the SCOTT FETZER COMPANY and subject to return on demand. Its contents are confidential and must not be copied or submitted to outside parties for use or examination. | | RK | | JA | |
| | | 12/8/16 | | 12/8/16 | |
| | | 12/8/16 | | 12/8/16 | |
| | | 12/8/16 | | 12/8/16 | |
| MATERIAL | | N/A | | APPROVED BY | |
| PART NAME | | MEDICAL SCROLL | | MFG/MKTG | |
| | | 40HP TRIPLEX | | RK | |
| | | | | JA | |
| | | | | CT | |
| | | | | 12/8/16 | |
| | | | | 12/8/16 | |
| | | | | 12/8/16 | |
| | | | | 12/8/16 | |
| DWG NO | | MSET40B6 | | SIZE | |
| | | | | D | |
| | | | | MSET40B6.DWG | |

| REV | ZONE | REVISION | DATE | ECN | NAME | CHKD |
|-----|------|---|---------|---------|------|------|
| B-1 | ALL | RELEASE TO PRODUCTION | 12/8/16 | PREC010 | RK | JA |
| B-2 | ALL | ADDED SEP. CORR. ALT. PNL. DRYER AND NOTES CORRECTED FLOW | 1/31/17 | PREC010 | GES | JA |



| LEGEND | |
|--------|----------------|
| | INTAKE FILTER |
| | AIR FILTER |
| | BALL VALVE |
| | CARBON FILTER |
| | DIVERTER VALVE |
| | REGULATOR |
| | CHECK VALVE |
| | SEPERATOR |
| | FLEX JOINT |
| | UNION |

- NOTES:
1.) SHEET 1, UNIT LAYOUT.
2.) SHEET 2, UNIT FLOW SCHEMATIC.
3.) INLET CONNECTIONS: 2" FNPT X 6.
4.) SYSTEM OUTLET CONNECTION: 2" FNPT X 1.
5.) POWER CONNECTION EACH ENCLOSURE: 1-230, OR 460 VOLT, ALTERNATION PANEL: 115V
6.) WHEN PACKAGE IS INSTALLED INTO THE FACILITY, MAKE SURE THAT THE INSTALLER REFERENCES TABLE 110.26 (A) (1) FOR MINIMUM WORKING AREA.
7.) DIRECTION OF INTAKE CONNECTIONS MAY BE MODIFIED AT INSTALLATION BY ADJUSTING PIPE THREAD CONNECTIONS.

| SYMBOL LEGEND | | AUTOCAD LT 2014 | | DO NOT SCALE DRAWING FOR DIMENSIONS | |
|---|-------------|-----------------|--------------------------|---|--|
| | MINUS DRAFT | | ADDITIONAL CONTROL REQ'D | Drawings to conform to the current revision of the following ANSI standards: Y14.3 Multi and sectional view dsgs. Y14.5M Dimensioning and tolerancing | |
| | PLUS DRAFT | | BRINELL HARDNESS | TOLERANCES NOT SPECIFIED | |
| .XX ± | | INCH | | Sheet 2 of 2 | |
| .XXX ± | | | | SCALE 1:18 | |
| <<DEG> ± | | | | | |
| CONFIDENTIAL DISCLOSURE | | DRAWN BY | | APPROVED BY | |
| This drawing is the property of POWEREX, INC. of the SCOTT FETZER COMPANY and subject to return on demand. Its contents are confidential and must not be copied or submitted to outside parties for use or examination. | | RK | | JA | |
| | | 12/8/16 | | 12/8/16 | |
| | | 12/8/16 | | 12/8/16 | |
| MATERIAL | | N/A | | | |
| PART NAME | | ENCLOSED SCROLL | | 150 PRODUCTION DRIVE, HARRISON, OHIO 45030 Ph: 888-769-7979 FAX: (513) 367-3125 | |
| | | FLOW SCHEMATIC | | DWG NO | |
| | | | | MSET40B6 | |
| | | | | SIZE | |
| | | | | D | |

MSET40B6.DWG