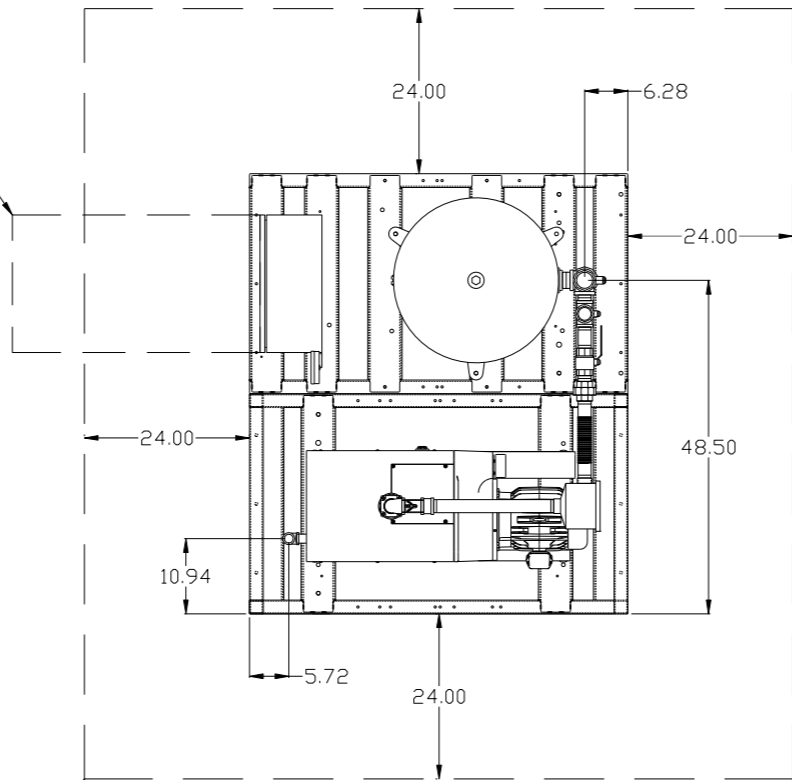


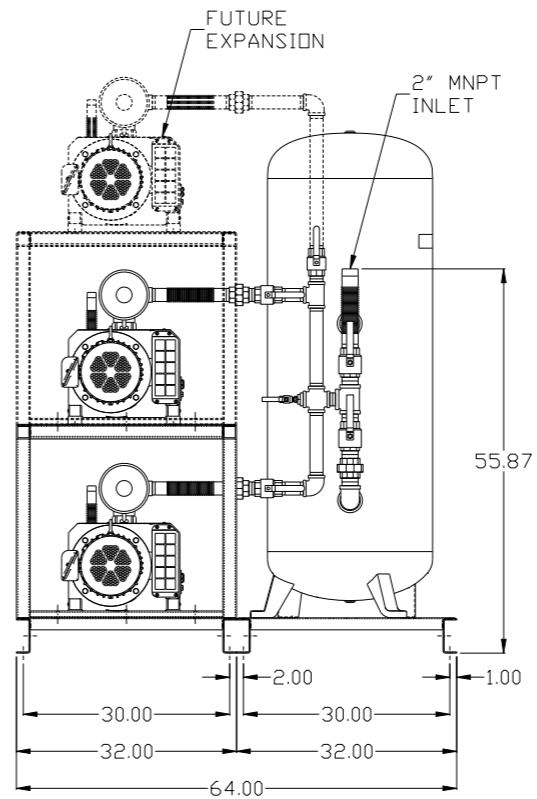
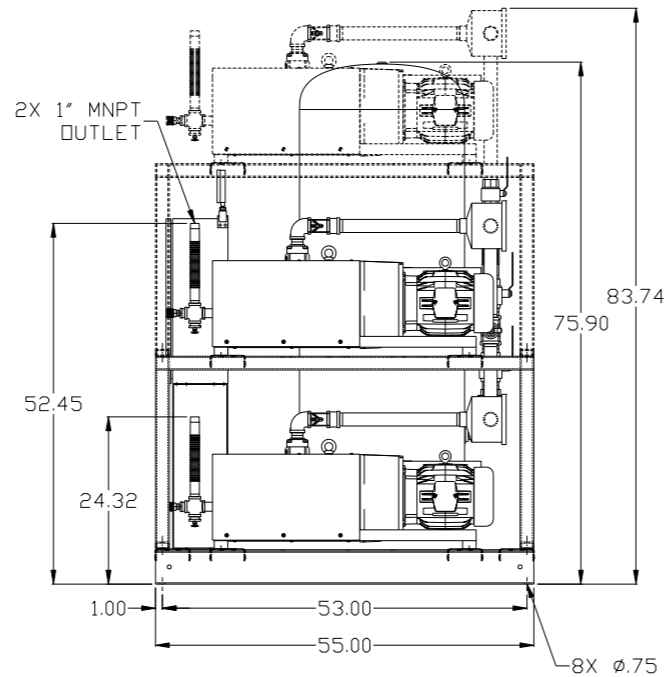
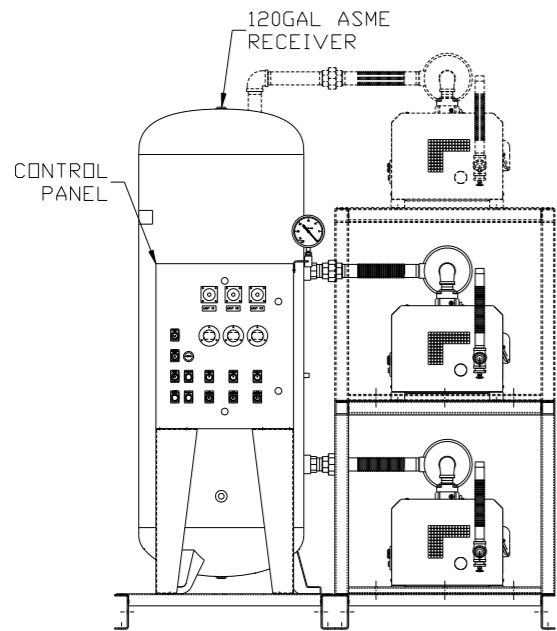
REV	ZONE	REVISION	DATE	ECN	NAME	CHKD
B-1	ALL	RELEASE TO PRODUCTION	12/29/16	PXEC0138	AEK	DMS

MINIMUM RECOMMENDED ELECTRICAL PANEL CLEARANCE PER OSHA/NEC REQUIREMENTS



TOP FRAME & EXPANSION UNIT NOT SHOWN IN TOP VIEW FOR CLARITY

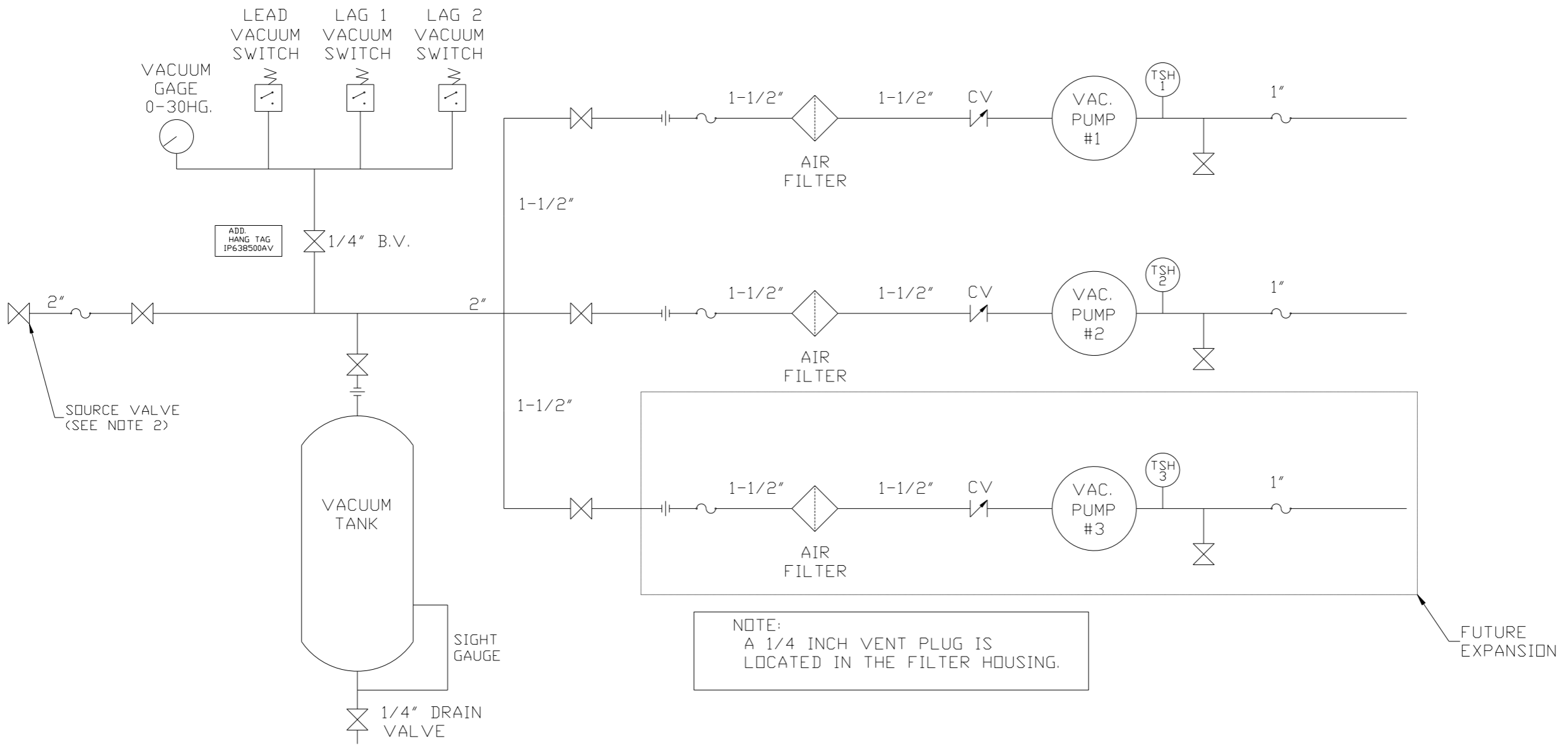
MINIMUM RECOMMENDED MAINTENANCE CLEARANCE



NOTE: SYSTEM DESIGNED IN COMPLIANCE WITH U.S. NFPA '99, LATEST EDITION.

SYMBOL LEGEND		= ADDITIONAL CONTROL REQ'D		Drawings to conform to the current revision of the following ANSI standards	
$\ominus$	MINUS DRAFT	$\oplus$	PLUS DRAFT	Y14.3	Multi and sectional view dgs.
$\diamond$	BRINELL HARDNESS			Y14.5M	Dimensioning and tolerancing
TOLERANCES NOT SPECIFIED		AUTOCAD REL2014 LT		DO NOT SCALE DRAWING FOR DIMENSIONS	
.XX	$\pm$	INCH		Sheet 1 of 2	SCALE 1:14
.XXX	$\pm$				
$\angle$ (DEG)	$\pm$				
CONFIDENTIAL DISCLOSURE This drawing is the property of POWEREX, INC. of the SCOTT FEITZER COMPANY and subject to return on demand. Its contents are confidential and must not be copied or submitted to outside parties for use or examination.					
DRAWN BY		CHECKED BY		APPROVED BY	
AEK		DMS		KMD RJR	
12/29/16		12/29/16		12/29/16	
MATERIAL		N/A			
PART NAME		5HP CLAW VAC DUPLEX EXPANDABLE 120GAL		DWG NO CVPD0504A-EX3 SIZE D	

REV	ZONE	REVISION	DATE	ECN	NAME	CHKD
B-1	ALL	RELEASE TO PRODUCTION	12/29/16	PKEC0138	AEK	DMS



NOTE:  
A 1/4 INCH VENT PLUG IS  
LOCATED IN THE FILTER HOUSING.

LEGEND	
	TEMP. SWITCH
	AIR FILTER
	BALL VALVE
	VACUUM SWITCH
	CHECK VALVE
	FLEX LINE
	UNION

NOTES:  
1) TSH - TEMPERATURE SWITCH HIGH  
2) PER NFPA THE SYSTEM WILL REQUIRE A SOURCE VALVE (SUPPLIED BY OTHERS).

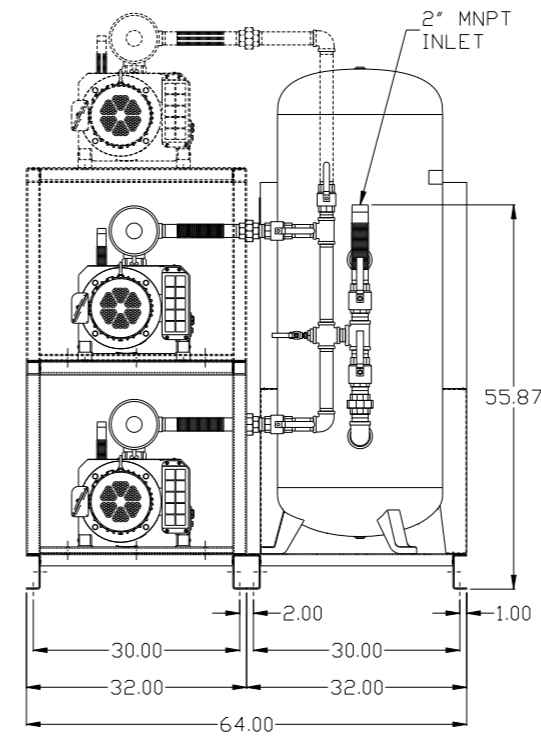
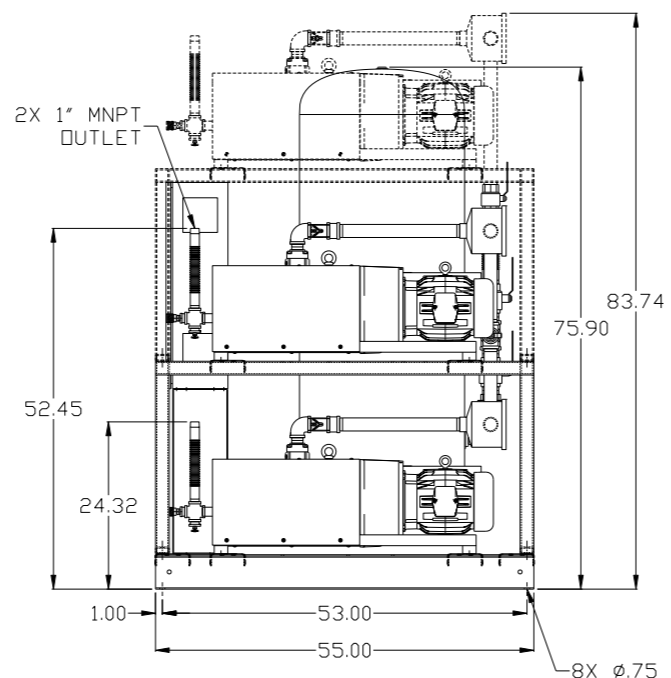
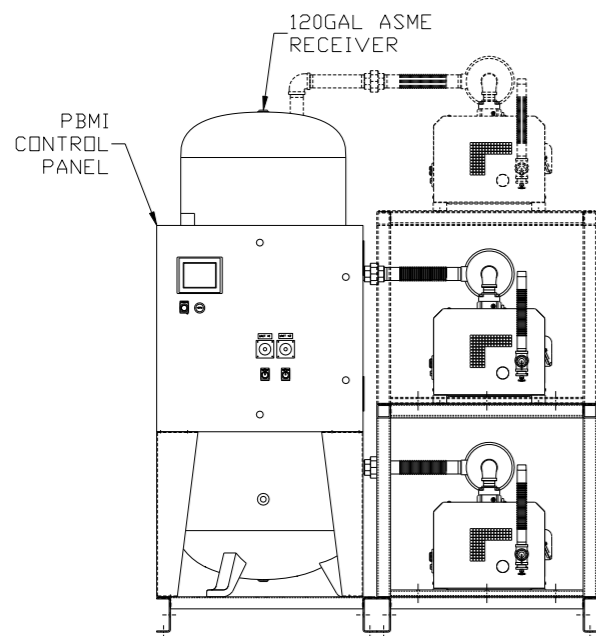
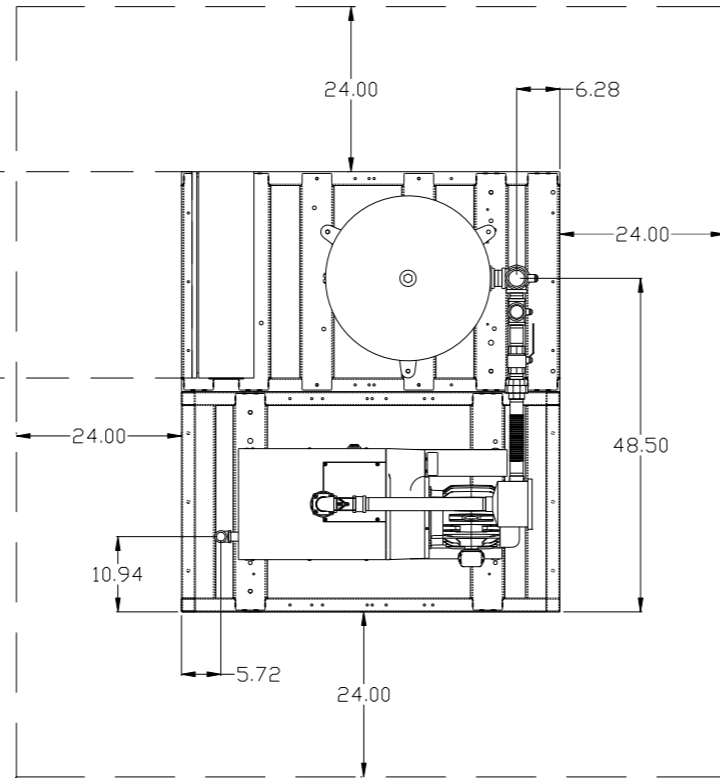
SYMBOL LEGEND			ADDITIONAL CONTROL REQ'D	Drawings to conform to the current revision of the following ANSI standards: Y14.3 Multi and sectional view dgs. Y14.5M Dimensioning and tolerancing
	MINUS DRAFT		BRINELL HARDNESS	
TOLERANCES NOT SPECIFIED		AUTOCAD REL2014 LT	DO NOT SCALE DRAWING FOR DIMENSIONS	
.XX ±	.XXX ±	<<DEG> ±	INCH	Sheet 2 of 2
CONFIDENTIAL DISCLOSURE This drawing is the property of POWEREX, INC. of the SCOTT FETZER COMPANY and subject to return on demand. Its contents are confidential and must not be copied or submitted to outside parties for use or examination.		DRAWN BY AEK	CHECKED BY DMS	APPROVED BY ENGINEERING MFG/MKTG KMD RJR
MATERIAL N/A		12/29/16	12/29/16	12/29/16
PART NAME TRIPLEX EXPANDABLE VAC PKG		DRAWN BY AEK		SCALE 1:14
FLOW SCHEMATIC		DWG NO CVPD0504A-EX3		SIZE D

REV	ZONE	REVISION	DATE	ECN	NAME	CHKD
B-1	ALL	RELEASE TO PRODUCTION	12/29/16	PXEC0138	AEK	DMS

MINIMUM RECOMMENDED ELECTRICAL PANEL CLEARANCE PER OSHA/NEC REQUIREMENTS

MINIMUM RECOMMENDED MAINTENANCE CLEARANCE

TOP FRAME & EXPANSION UNIT NOT SHOWN IN TOP VIEW FOR CLARITY



NOTE: SYSTEM DESIGNED IN COMPLIANCE WITH U.S. NFPA '99, LATEST EDITION.

SYMBOL LEGEND		= ADDITIONAL CONTROL REQ'D		Drawings to conform to the current revision of the following ANSI standards	
⊖	MINUS DRAFT	⊕	PLUS DRAFT	⊖	Y14.3 Multi and sectional view dsgs.
⊕	PLUS DRAFT	⊖	MINUS DRAFT	⊕	Y14.5M Dimensioning and tolerancing
⊖	MINUS DRAFT	⊕	PLUS DRAFT	⊖	Y14.75 Brinell Hardness
⊕	PLUS DRAFT	⊖	MINUS DRAFT	⊕	Y14.75 Brinell Hardness

TOLERANCES NOT SPECIFIED	AUTOCAD REL2014 LT	DO NOT SCALE DRAWING FOR DIMENSIONS	
.XX ±	INCH	Sheet 1 of 2	SCALE 1:14
.XXX ±			
<<DEG>> ±			

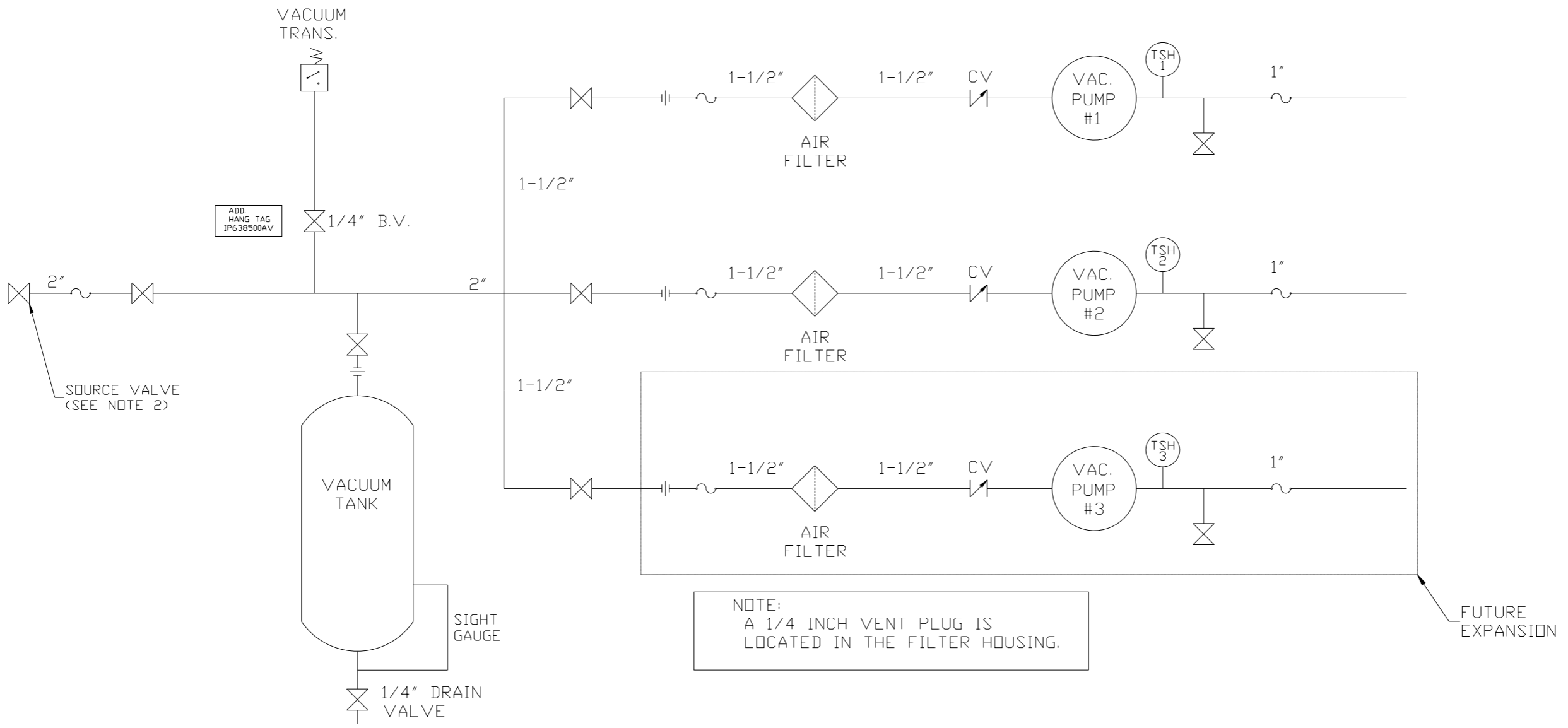
  

CONFIDENTIAL DISCLOSURE This drawing is the property of POWEREX, INC. of the SCOTT FETZER COMPANY and subject to return on demand. Its contents are confidential and must not be copied or submitted to outside parties for use or examination.			
DRAWN BY	CHECKED BY	APPROVED BY	DATE
AEK	DMS	KMD RJR	12/29/16
12/29/16	12/29/16	12/29/16	12/29/16

MATERIAL	N/A	 150 PRODUCTION DRIVE, HARRISON, OHIO 45030 Ph: 888-769-7979 FAX: (513) 367-3125
PART NAME	5HP CLAW VAC DUPLEX EXPANDABLE 120GAL	
DWG NO	CVPD0504A-EX3	

REV	ZONE	REVISION	DATE	ECN	NAME	CHKD
B-1	ALL	RELEASE TO PRODUCTION	12/29/16	PXEC0138	AEK	DMS



NOTE:  
A 1/4 INCH VENT PLUG IS  
LOCATED IN THE FILTER HOUSING.

LEGEND	
	TEMP. SWITCH
	AIR FILTER
	BALL VALVE
	VACUUM SWITCH
	CHECK VALVE
	FLEX LINE
	UNION

NOTES:  
1) TSH - TEMPERATURE SWITCH HIGH  
2) PER NFPA THE SYSTEM WILL REQUIRE A SOURCE VALVE (SUPPLIED BY OTHERS).

<b>SYMBOL LEGEND</b> = MINUS DRAFT = PLUS DRAFT = ADDITIONAL CONTROL REQ'D = BRINELL HARDNESS		Drawings to conform to the current revision of the following ANSI standards: Y14.3 Multi and sectional view dgs. Y14.5M Dimensioning and tolerancing
TOLERANCES NOT SPECIFIED .XX ± .XXX ± <math>\angle</math> (DEG) ±	AUTOCAD REL2014 LT <b>INCH</b>	<b>DO NOT SCALE DRAWING FOR DIMENSIONS</b> Sheet 2 of 2 SCALE 1: 14
<b>CONFIDENTIAL DISCLOSURE</b> This drawing is the property of POWEREX, INC. of the SCOTT FETZER COMPANY and subject to return on demand. Its contents are confidential and must not be copied or submitted to outside parties for use or examination.		
DRAWN BY AEK	CHECKED BY DMS	APPROVED BY ENGINEERING MFG/MKTG KMD RJR
MATERIAL N/A	12/29/16	12/29/16 12/29/16 12/29/16
PART NAME TRIPLEX EXPANDABLE VAC PKG	 150 PRODUCTION DRIVE, HARRISON, OHIO 45030 Ph: 888-769-7979 FAX: (513) 367-3125	DWG NO <b>CVPD0504A-EX3</b>
FLOW SCHEMATIC	SIZE <b>D</b>	CVPD0504A-EX3.dwg