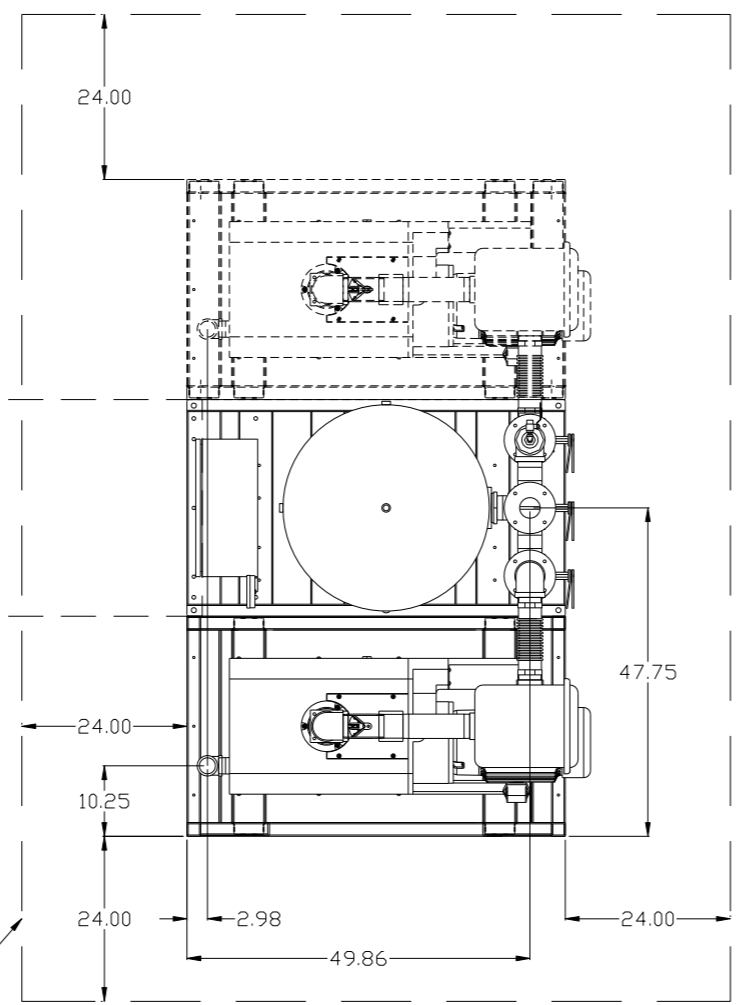


8 7 6 5 4 3 2 1

REV	ZONE	REVISION	DATE	ECN	NAME	CHKD
B-1	ALL	RELEASE TO PRODUCTION	10/2/12	PXEC0013	AEK	DMS
C-1	ALL	ADDED P&MI SHEETS	6/26/13	PXEC0030	AEK	GES
D-1	ALL	UPDATED PUMP MOTOR	8/1/14	PXEC0067	AEK	GES

MINIMUM RECOMMENDED ELECTRICAL PANEL CLEARANCE PER OSHA/NEC

MINIMUM RECOMMENDED MAINTENANCE CLEARANCE



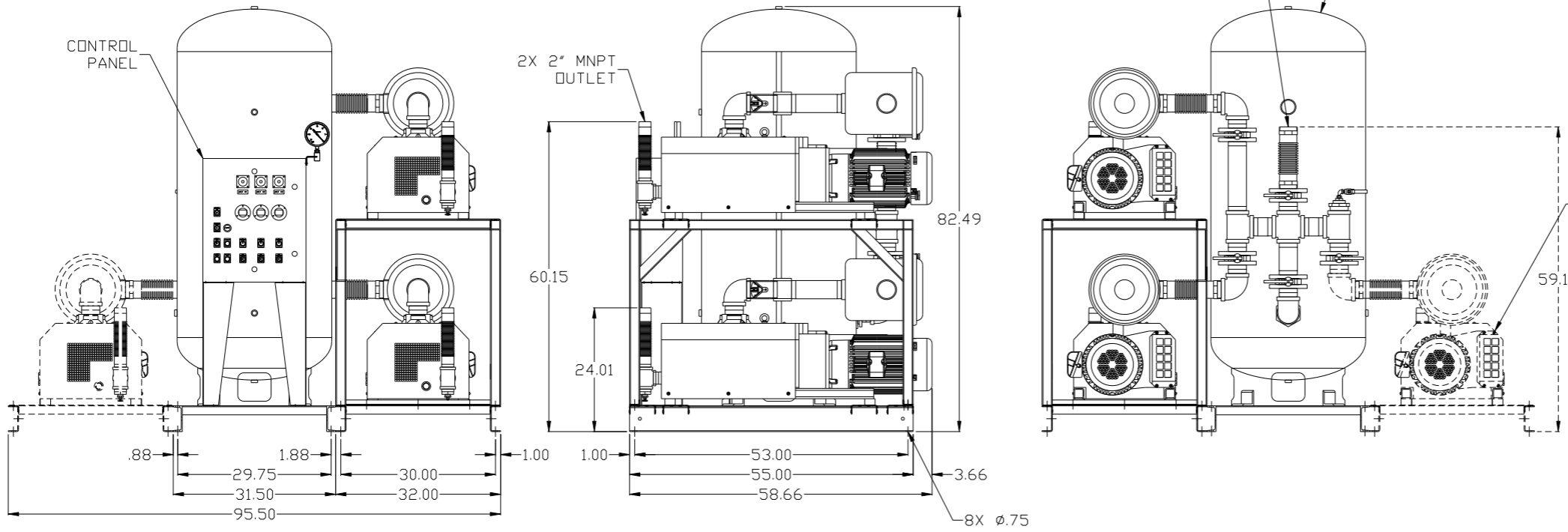
CONTROL PANEL

3" MNPT INLET  
200GAL ASME RECEIVER

2X 2" MNPT OUTLET

FUTURE EXPANSION

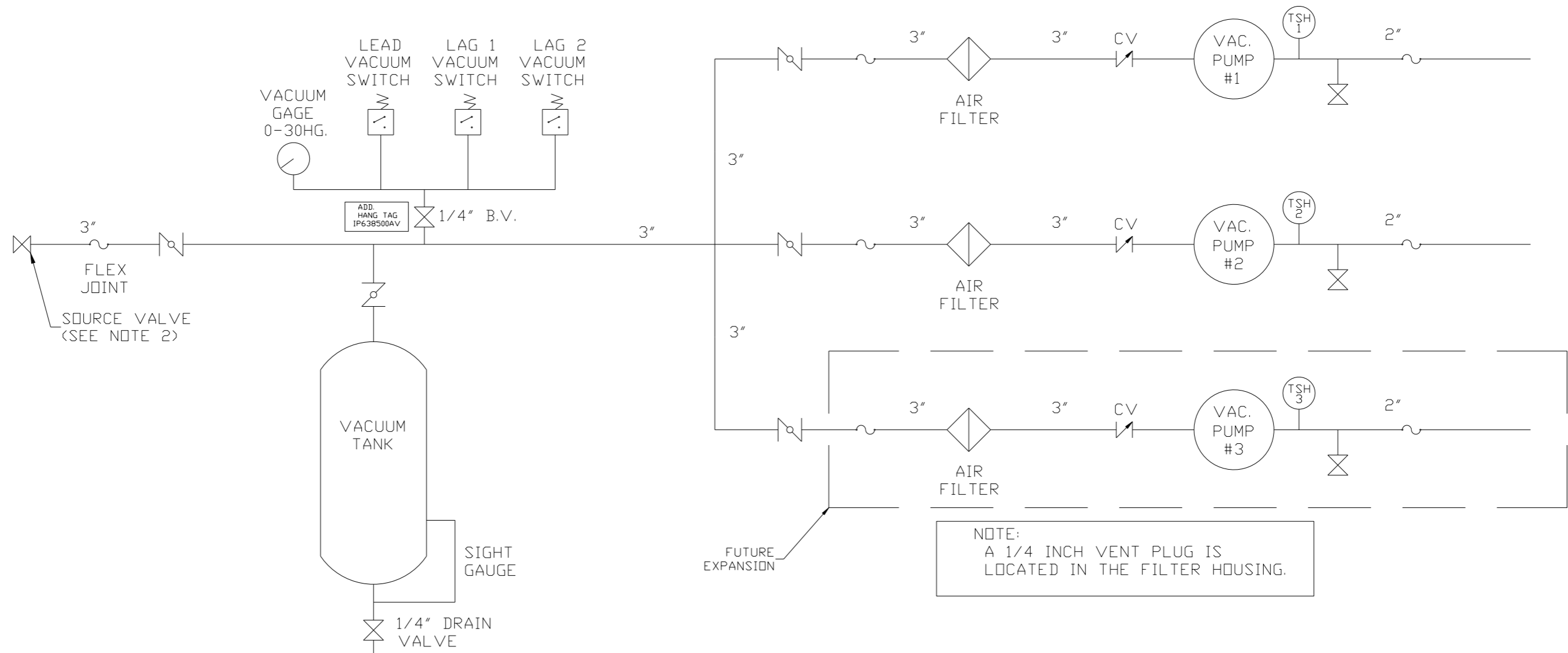
NOTE: SYSTEM DESIGNED IN COMPLIANCE WITH U.S. NFPA '99, LATEST EDITION.



SYMBOL LEGEND		DRAWINGS TO CONFORM TO THE CURRENT REVISION OF THE FOLLOWING ANSI STANDARDS		
⊖ = MINUS DRAFT	⊕ = PLUS DRAFT	⊕ = ADDITIONAL CONTROL REQ'D	⊕ = BRINELL HARDNESS	
TOLERANCES NOT SPECIFIED		DO NOT SCALE DRAWING FOR DIMENSIONS		
.XX ±	.XXX ±	AUTOCAD REL2008 LT	SCALE 1:14	
<Z< DEG > ±		INCH	Sheet 1 of 2	
CONFIDENTIAL DISCLOSURE This drawing is the property of POWEREX, INC. of the SCOTT FELTZER COMPANY and subject to return on demand. Its contents are confidential and must not be copied or submitted to outside parties for use or examination.		DRAWN BY AEK	CHECKED BY DMS	APPROVED BY ENGINEERING AEK MFG/MKTG RJR
MATERIAL N/A		10/2/12	10/2/12 10/2/12 10/2/12	
PART NAME 10HP CLAW VACUUM 200GAL DUPLEX EXP		 150 PRODUCTION DRIVE, HARRISON, OHIO 45030 Ph 888-769-7979 FAX (513) 367-3125		
		DWG NO CVPD1005-EXP		
		SIZE D		

8 7 6 5 4 3 2 1

REV	ZONE	REVISION	DATE	ECN	NAME	CHKD
B-1	ALL	RELEASE TO PRODUCTION	10/2/12	PXEC0013	AEK	DMS
C-1	ALL	ADDED P&MI SHEETS	6/26/13	PXEC0030	AEK	GES
D-1	ALL	UPDATED PUMP MOTOR	8/1/14	PXEC0067	AEK	GES



NOTE:  
A 1/4 INCH VENT PLUG IS  
LOCATED IN THE FILTER HOUSING.

- NOTES:  
1) TSH - TEMPERATURE SWITCH HIGH  
2) PER NFPA THE SYSTEM WILL REQUIRE A SOURCE VALVE (SUPPLIED BY OTHERS).

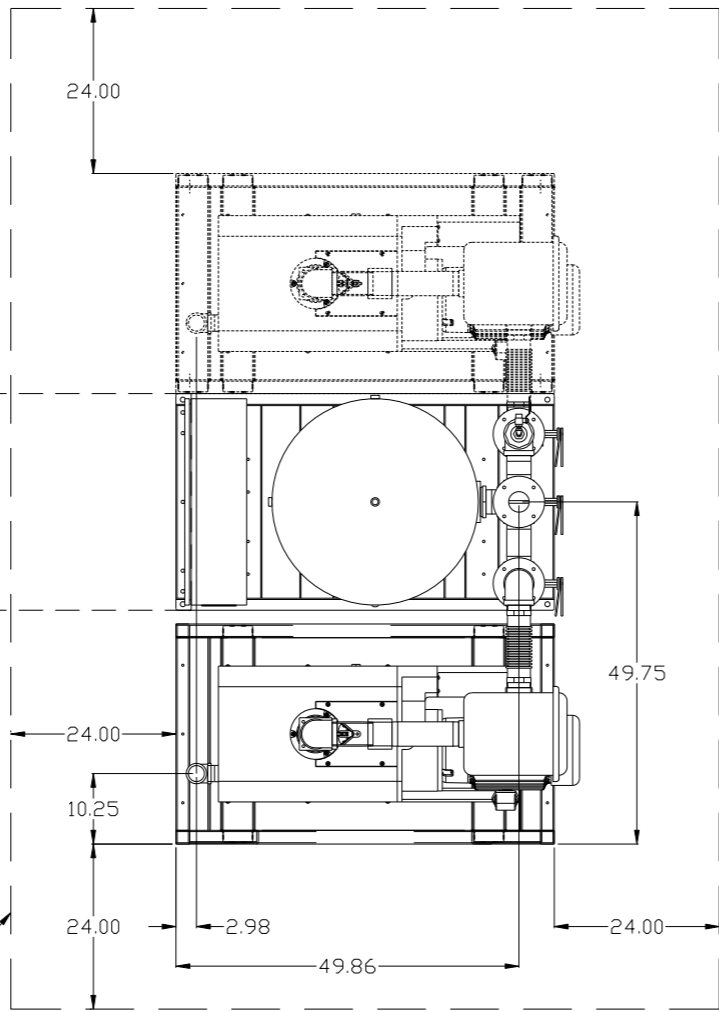
LEGEND	
	TEMP. SWITCH
	AIR FILTER
	BALL VALVE
	BUTTERFLY VALVE
	VACUUM SWITCH
	CHECK VALVE
	FLEX LINE
	UNION

SYMBOL LEGEND			ADDITIONAL CONTROL REQ'D	Drawings to conform to the current revision of the following ANSI standards: Y14.3 Multi and sectional view dgs. Y14.5M Dimensioning and tolerancing
	MINUS DRAFT		BRINELL HARDNESS	
TOLERANCES NOT SPECIFIED		AUTOCAD REL2008 LT	DO NOT SCALE DRAWING FOR DIMENSIONS	
.XX ±	.XXX ±	<<DEG> ±	INCH	SCALE 1:14
CONFIDENTIAL DISCLOSURE This drawing is the property of POWEREX, INC. or the SCOTT FETZER COMPANY and subject to return on demand. Its contents are confidential and must not be copied or submitted to outside parties for use or examination.		DRAWN BY AEK	CHECKED BY DMS	APPROVED BY ENGINEERING AEK MFG/MKTG RJR
MATERIAL N/A		10/2/12	10/2/12	10/2/12 10/2/12
PART NAME VAC PKG DUPLEX EXP FLOW SCHEMATIC		DWG NO CVPD1005-EXP		SIZE D

REV	ZONE	REVISION	DATE	ECN	NAME	CHKD
C-1	ALL	ADDED P&MI SHEETS	6/26/13	PXEC0030	AEK	GES
D-1	ALL	UPDATED PUMP MOTOR	8/1/14	PXEC0067	AEK	GES

MINIMUM RECOMMENDED ELECTRICAL PANEL CLEARANCE PER OSHA/NEC

MINIMUM RECOMMENDED MAINTENANCE CLEARANCE



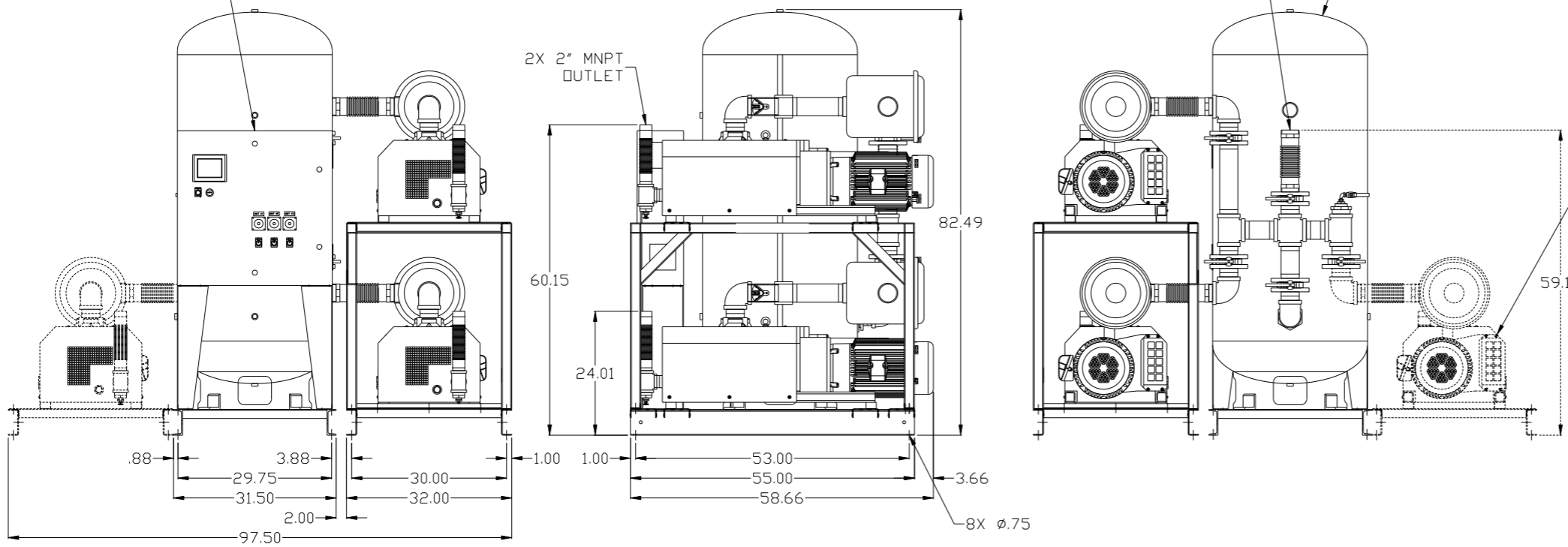
PB/MI/HMI CONTROL PANEL

3" MNPT INLET  
200GAL ASME RECEIVER

2X 2" MNPT OUTLET

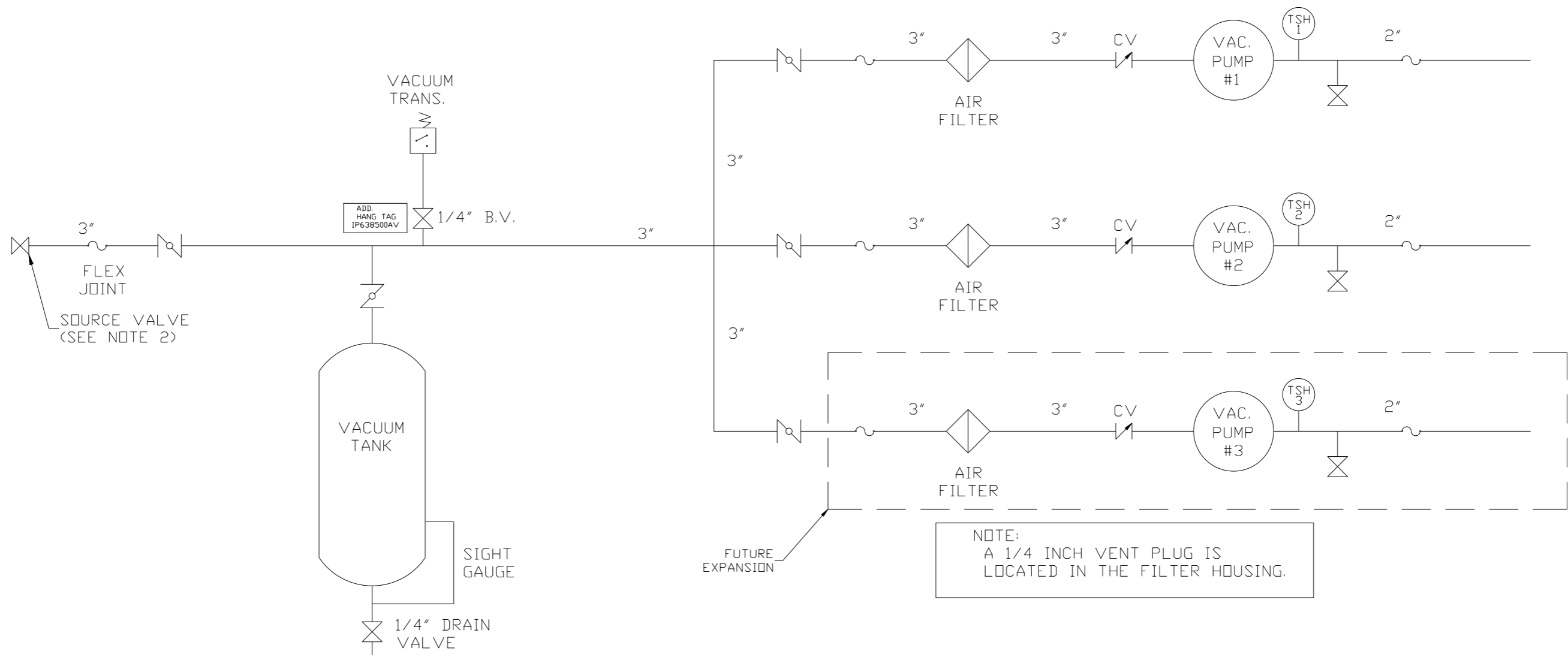
FUTURE EXPANSION

NOTE: SYSTEM DESIGNED IN COMPLIANCE WITH U.S. NFPA '99, LATEST EDITION.



SYMBOL LEGEND		DRAWINGS TO CONFORM TO THE CURRENT REVISION OF THE FOLLOWING ANSI STANDARDS		
⊖ = MINUS DRAFT	⊕ = PLUS DRAFT	⊕ = ADDITIONAL CONTROL REQ'D	⊕ = BRINELL HARDNESS	
TOLERANCES NOT SPECIFIED		DO NOT SCALE DRAWING FOR DIMENSIONS		
.XX ±	.XXX ±	AUTOCAD REL2008 LT	SCALE 1:14	
<Z< DEG > ±		INCH	Sheet 1 of 2	
CONFIDENTIAL DISCLOSURE This drawing is the property of POWEREX, INC. of the SCOTT FEITZER COMPANY and subject to return on demand. Its contents are confidential and must not be copied or submitted to outside parties for use or examination.		DRAWN BY AEK	CHECKED BY GES	APPROVED BY ENGINEERING MFG/MKTG DMS JJ
MATERIAL N/A		6/26/13	6/26/13 6/26/13 6/26/13	
PART NAME 10HP CLAW VACUUM 200GAL DUPLEX EXP		 150 PRODUCTION DRIVE, HARRISON, OHIO 45030 Ph 888-769-7979 FAX (513) 367-3125		
		DWG NO CVPD1005-EXP	SIZE D	

REV	ZONE	REVISION	DATE	ECN	NAME	CHKD
C-1	ALL	ADDED P&MI SHEETS	6/26/13	PXEC0030	AEK	GES
D-1	ALL	UPDATED PUMP MOTOR	8/1/14	PXEC0067	AEK	GES



NOTE:  
A 1/4 INCH VENT PLUG IS  
LOCATED IN THE FILTER HOUSING.

NOTES:  
1) TSH - TEMPERATURE SWITCH HIGH  
2) PER NFPA THE SYSTEM WILL REQUIRE A SOURCE VALVE (SUPPLIED BY OTHERS).

LEGEND	
	TEMP. SWITCH
	AIR FILTER
	BALL VALVE
	BUTTERFLY VALVE
	VACUUM SWITCH
	CHECK VALVE
	FLEX LINE
	UNION

<b>SYMBOL LEGEND</b> ⊖ = MINUS DRAFT ⊕ = PLUS DRAFT ⊕ = BRINELL HARDNESS		Drawings to conform to the current revision of the following ANSI standards: Y14.3 Multi and sectional view dsgs. Y14.5M Dimensioning and tolerancing	
TOLERANCES NOT SPECIFIED .XX ± .XXX ± <math>\angle</math> (DEG.) ±		AUTOCAD REL2008 LT INCH DO NOT SCALE DRAWING FOR DIMENSIONS Sheet 2 of 2 SCALE 1:14	
<b>CONFIDENTIAL DISCLOSURE</b> This drawing is the property of POWEREX, INC. OF THE SCOTT FETZER COMPANY and subject to return on demand. Its contents are confidential and must not be copied or submitted to outside parties for use or examination.		DRAWN BY: AEK CHECKED BY: GES ENGINEERING: DMS MFG/MKTG: JJ 6/26/13 6/26/13 6/26/13 6/26/13	
MATERIAL: N/A		 150 PRODUCTION DRIVE, HARRISON, OHIO 45030 Ph: 888-769-7979 FAX: (513) 367-3125	
PART NAME: VAC PKG DUPLEX EXP FLOW SCHEMATIC		DWG NO: CVPD1005-EXP SIZE: D	