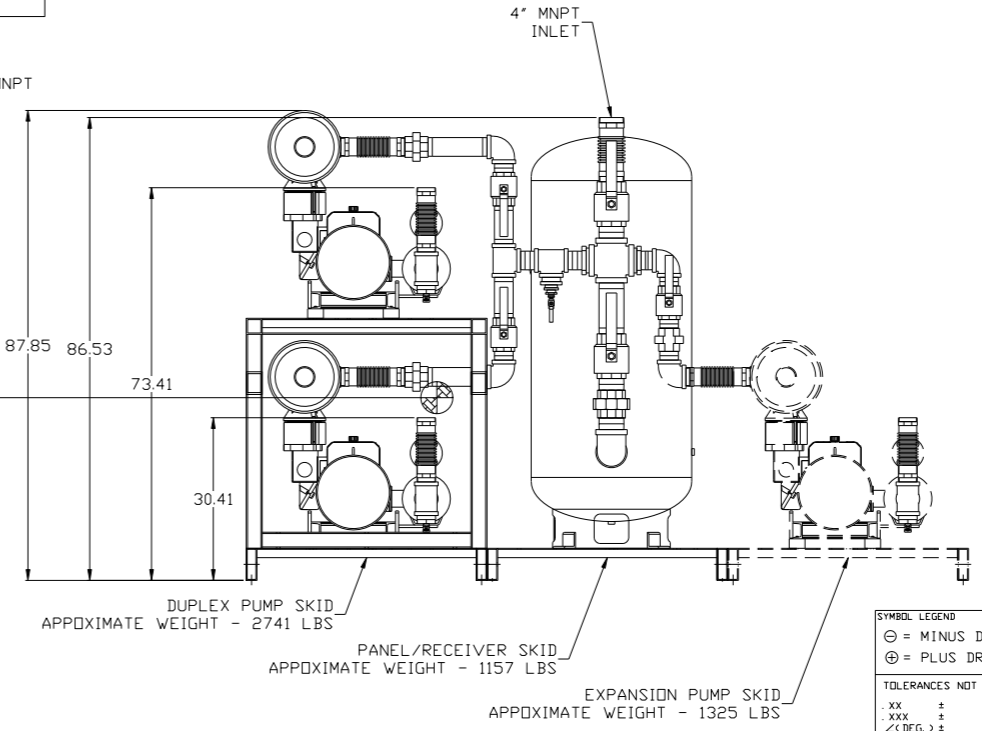
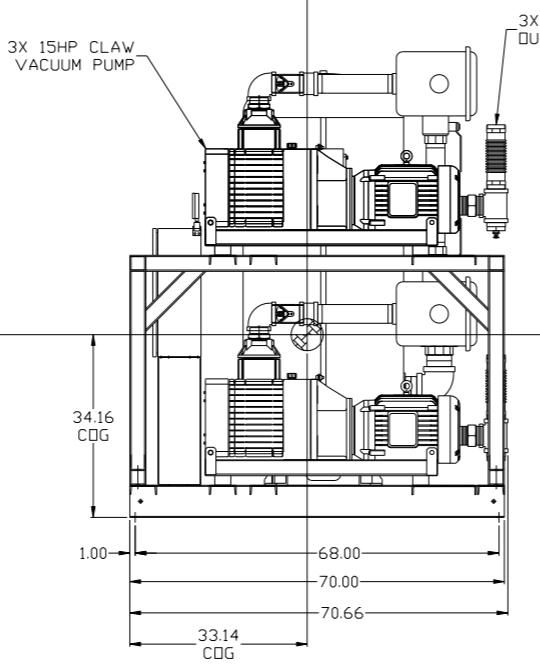
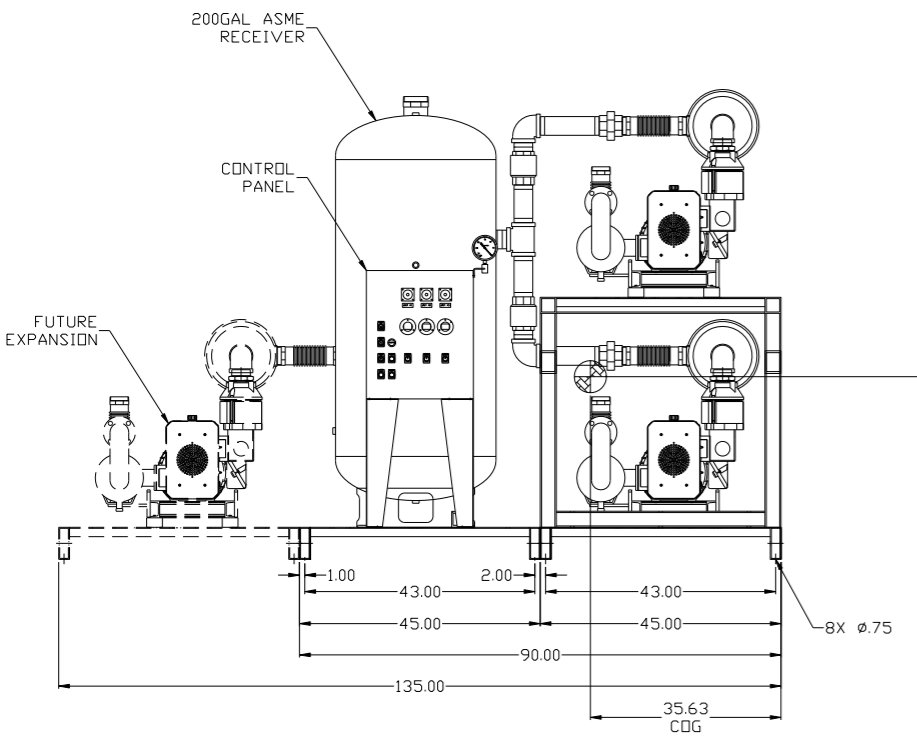
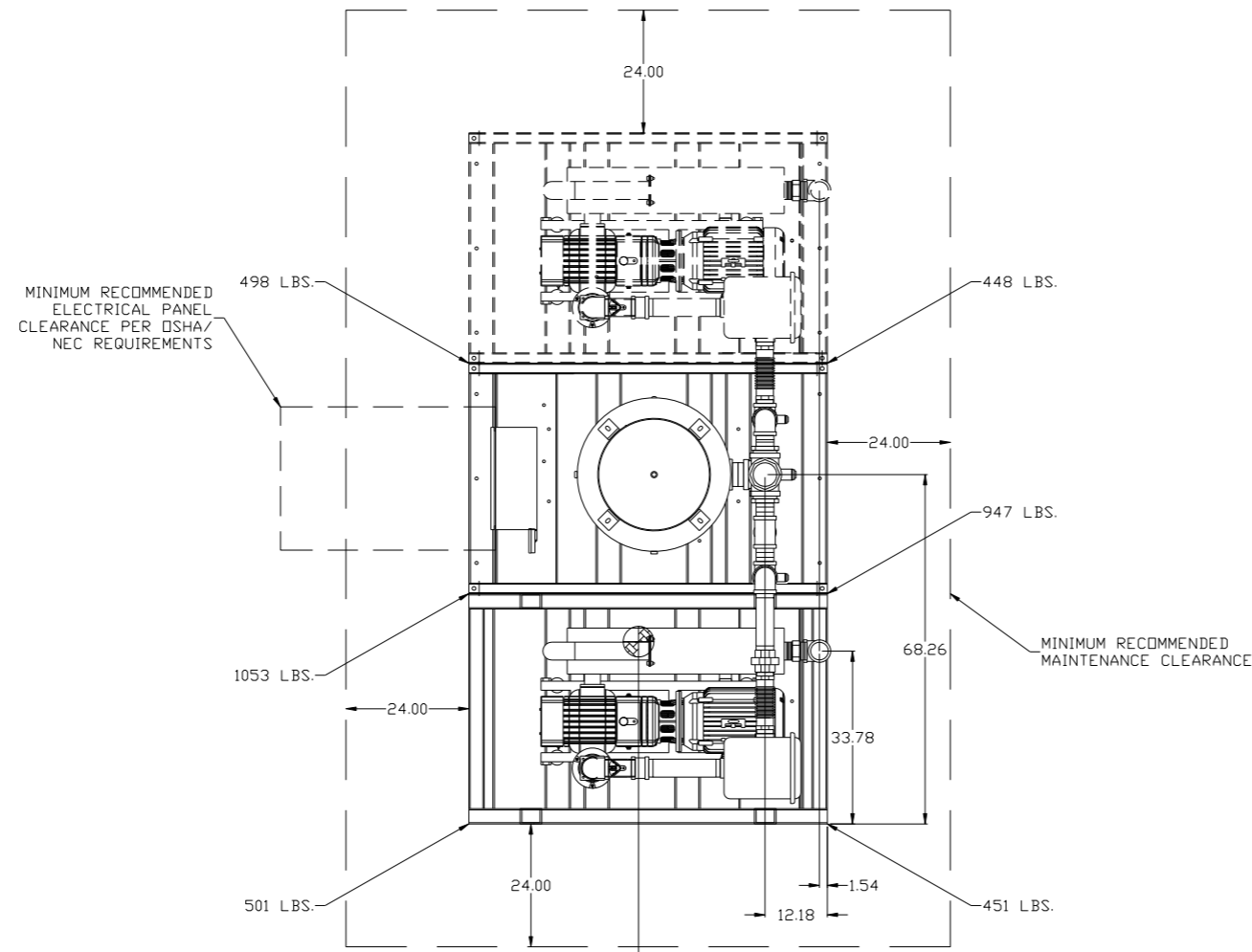


8 7 6 5 4 3 2 1

REV	ZONE	REVISION	DATE	ECN	NAME	CHKD
B-1	ALL	RELEASE TO PRODUCTION	2/7/12	22722	AEK	GES
C-1	ALL	ADDED CENTER OF GRAVITY INFO	2/9/12	22723	AEK	GES



denotes center of gravity

C.O.G INFORMATION  
(CALCULATED W/O EXPANSION):  
TOTAL WT - 3898 LBS.  
X(FRONT) - -35.63  
Y(RIGHT) - 33.14  
Z(HEIGHT) - 34.16

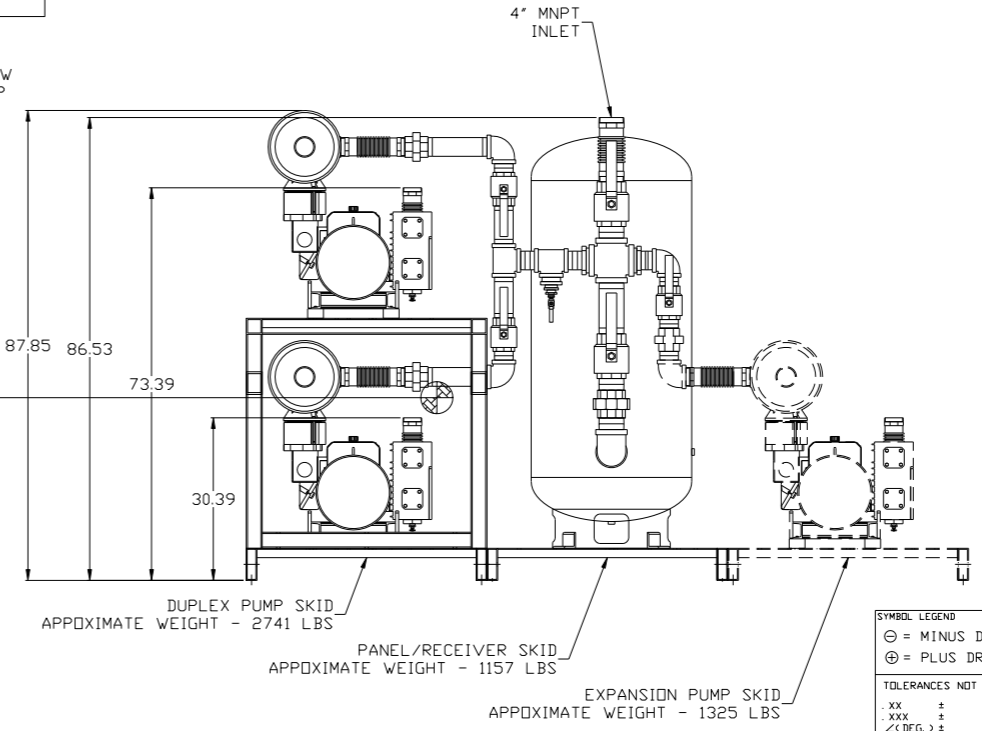
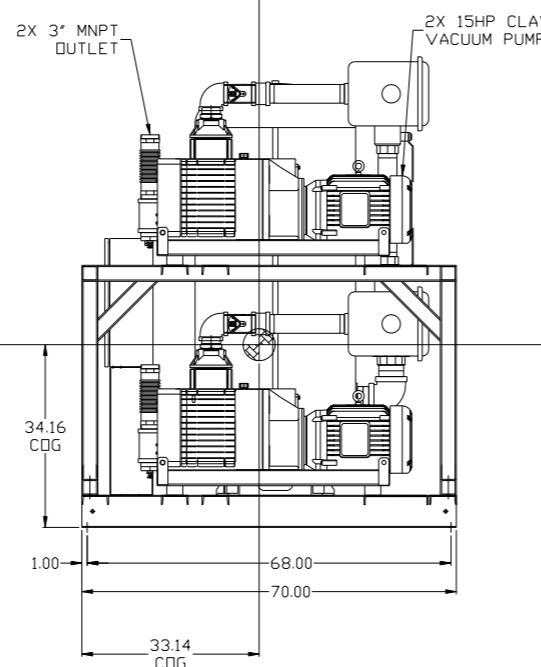
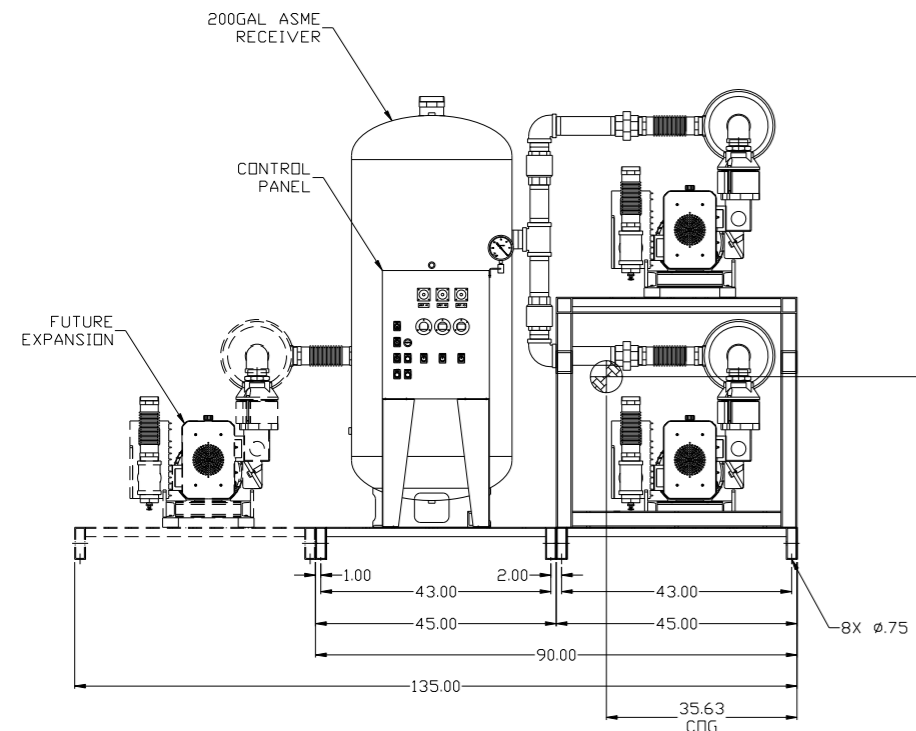
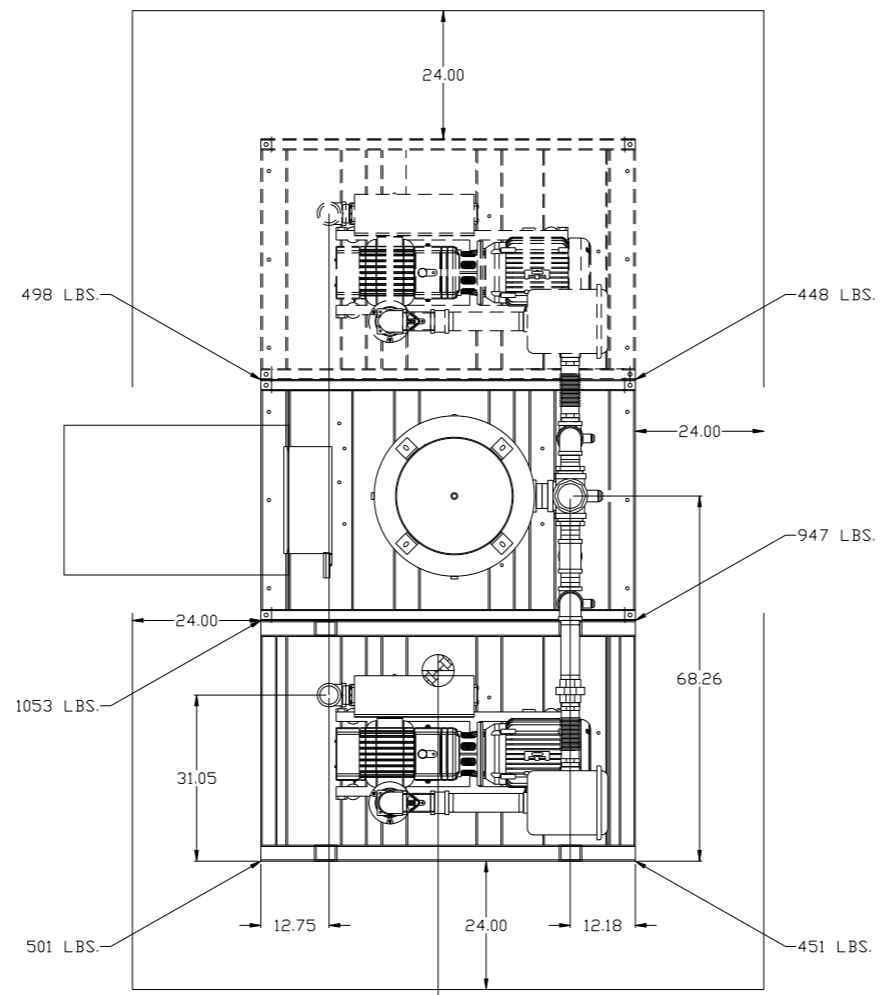
NOTE: SYSTEM DESIGNED IN COMPLIANCE WITH U.S. NFPA '99, LATEST EDITION.

SYMBOL LEGEND		AUTOCAD REL2008 LT		DO NOT SCALE DRAWING FOR DIMENSIONS	
⊖	MINUS DRAFT	⊕	PLUS DRAFT	Sheet 1 of 2	
⊕	ADDITIONAL CONTROL REQ'D	INCH		SCALE 1:18	
⊕	BRINELL HARDNESS	MATERIAL N/A		PART NAME 15HP CLAW VAC PACKAGE	
TOLERANCES NOT SPECIFIED		CONFIDENTIAL DISCLOSURE		DRAWN BY AEK	
.XX ±		This drawing is the property of the CAMPBELL GROUP of the SCOTT FETZER COMPANY and subject to return on demand. Its contents are confidential and must not be copied or submitted to outside parties for use or examination.		CHECKED BY GES	
.XXX ±				APPROVED BY ENGINEERING DMS	
Z( DEG ) ±				MFG/MKTG RJR	
				2/7/12 2/7/12 2/7/12 2/7/12	
		DRAWING NO. CVPD1505-EXP		SIZE D	

8 7 6 5 4 3 2 1

8 7 6 5 4 3 2 1

REV	ZONE	REVISION	DATE	ECN	NAME	CHKD
B-1	ALL	RELEASE TO PRODUCTION	2/7/12	22722	AEK	GES
C-1	1 ALL	ADDED CENTER OF GRAVITY INFO	2/9/12	22723	AEK	GES



C.O.G INFORMATION  
(CALCULATED W/O EXPANSION):  
TOTAL WT - 3898 LBS.  
X(FRONT) - -35.63  
Y(RIGHT) - 33.14  
Z(HEIGHT) - 34.16

NOTE: SYSTEM DESIGNED IN COMPLIANCE WITH U.S. NFPA '99, LATEST EDITION.

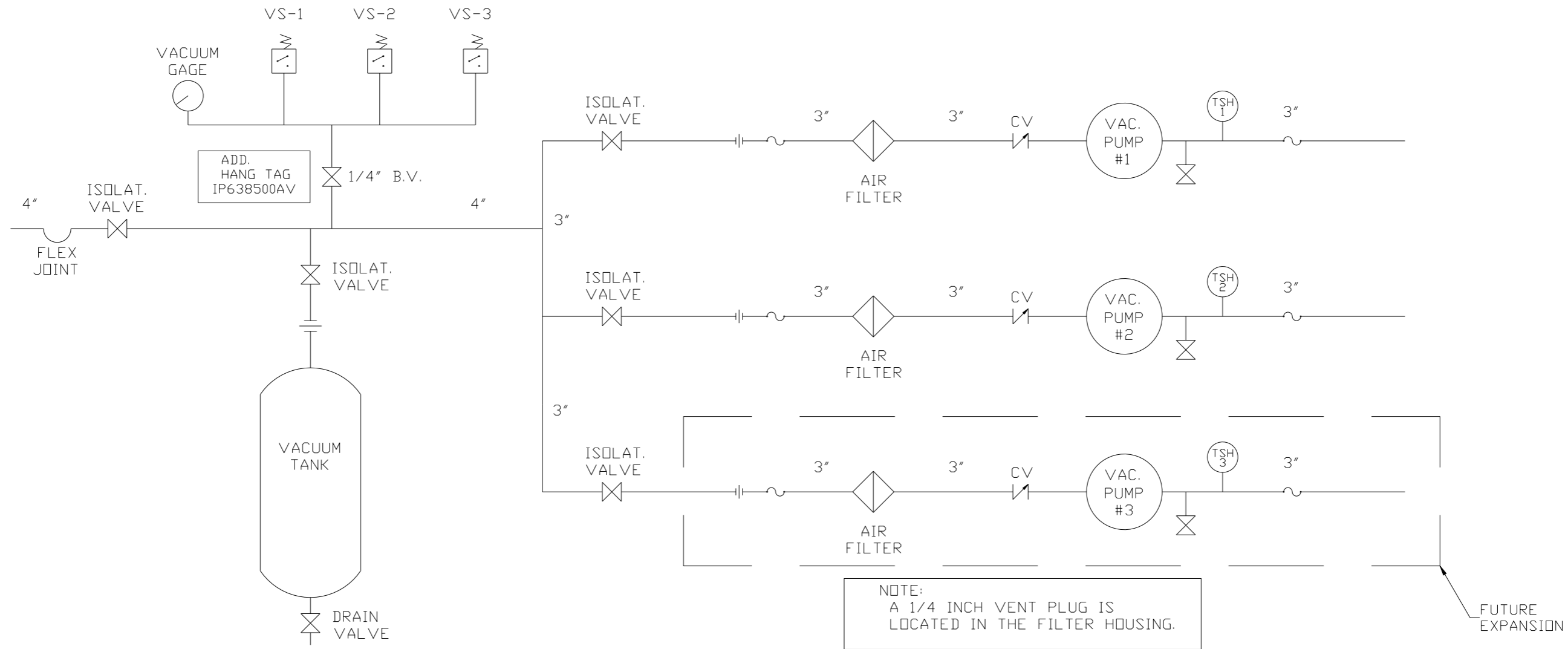
denotes center of gravity

SYMBOL LEGEND		AUTOCAD REL2008 LT		DO NOT SCALE DRAWING FOR DIMENSIONS	
	= MINUS DRAFT		= ADDITIONAL CONTROL REQ'D	Drawings to conform to the current revision of the following ANSI standards:	
	= PLUS DRAFT		= BRINELL HARDNESS	Y14.3 Multi and sectional view dgs. Y14.5M Dimensioning and tolerancing	
TOLERANCES NOT SPECIFIED		INCH		Sheet 1 of 2	
.XX ±				SCALE 1:18	
.XXX ±					
Z<DEG> ±					
CONFIDENTIAL DISCLOSURE		DRAWN BY		CHECKED BY	
This drawing is the property of the CAMPBELL GROUP of the SCOTT FETZER COMPANY and subject to return on demand. Its contents are confidential and must not be copied or submitted to outside parties for use or examination.		AEK		GES	
		2/7/12		2/7/12	
		2/7/12		2/7/12	
MATERIAL		N/A		APPROVED BY	
				DMS	
				RJR	
PART NAME		15HP CLAW VAC PACKAGE		2/7/12	
200GAL DUPLEX EXPANDABLE		DWG NO		CVPD1505-EXP	
		SIZE		D	

8 7 6 5 4 3 2 1

CVPD1505-EXP.dwg

REV	ZONE	REVISION	DATE	ECN	NAME	CHKD
B-1	ALL	RELEASE TO PRODUCTION	2/7/12	22722	AEK	GES
C-1	ALL	ADDED CENTER OF GRAVITY INFO	2/9/12	22723	AEK	GES



NOTE:  
A 1/4 INCH VENT PLUG IS  
LOCATED IN THE FILTER HOUSING.

- NOTES  
1.) TSH - TEMPERATURE SWITCH HIGH (OPTIONAL)

SYMBOL LEGEND		⊖ = MINUS DRAFT	⊕ = PLUS DRAFT	⊕ = ADDITIONAL CONTROL REQ' D	⊕ = BRINELL HARDNESS	Drawings to conform to the current revision of the following ANSI standards: Y14.3 Multi and sectional view dgs. Y14.5M Dimensioning and tolerancing
TOLERANCES NOT SPECIFIED		.XX ±	.XXX ±	<< DEG. ±	AUTOCAD REL2008 LT	DO NOT SCALE DRAWING FOR DIMENSIONS
CONFIDENTIAL DISCLOSURE This drawing is the property of the CAMPBELL GROUP OF THE SCOTT FETZER COMPANY and subject to return on demand. Its contents are confidential and must not be copied or submitted to outside parties for use or examination.		SCALE		Sheet 2 of 2		1:18
DRAWN BY		CHECKED BY	APPROVED BY		MFG/MRKTG	
AEK		GES	DMS		RJR	
2/7/12		2/7/12	2/7/12		2/7/12	
MATERIAL		N/A				
PART NAME		CLAW VAC DUPLEX EXPANDABLE		150 PRODUCTION DRIVE, HARRISON, OHIO 45030 Ph: 888-769-7979 FAX: (513) 367-3125		
DWG NO		CVPD1505-EXP		SIZE		
FLOW SCHEMATIC				D		