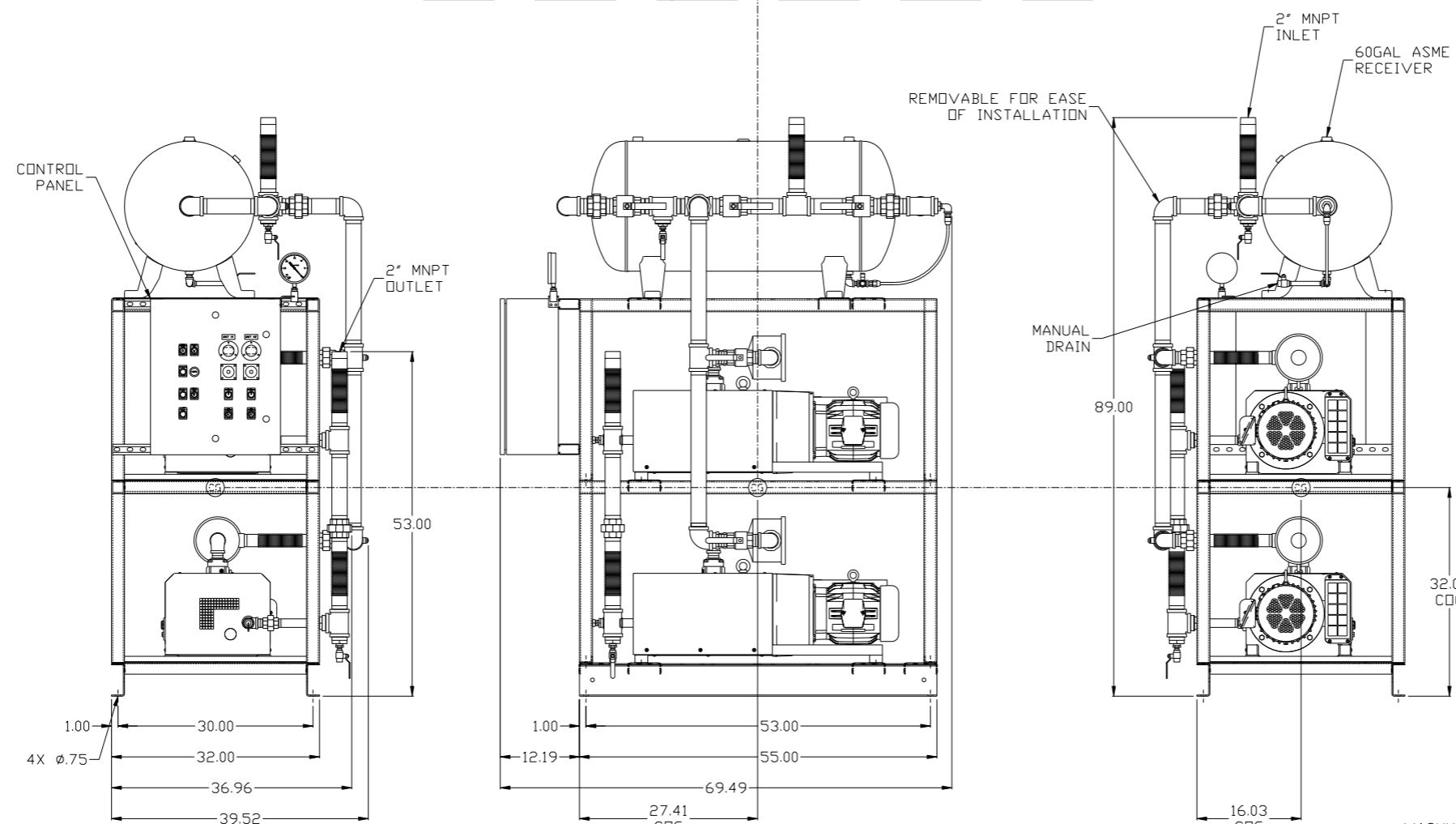
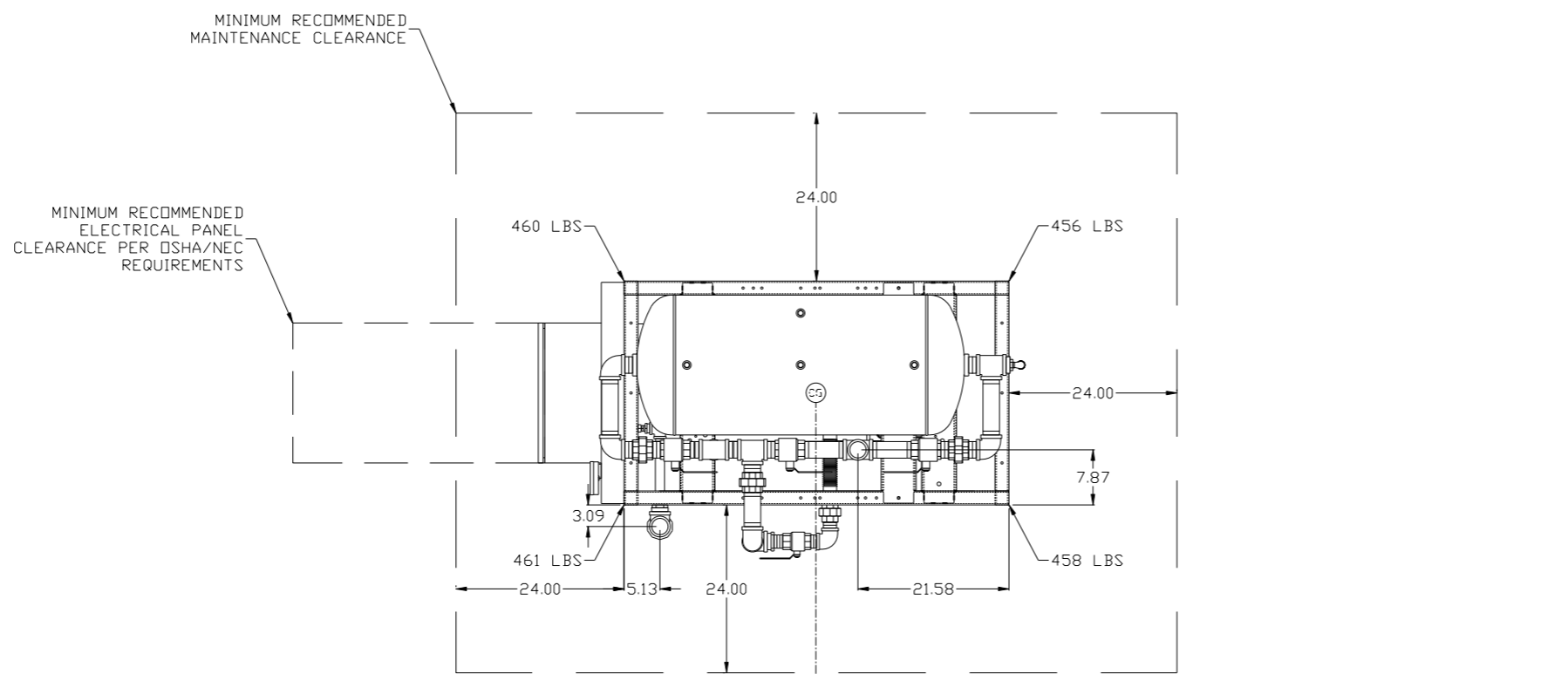


8 7 6 5 4 3 2 1

REV	ZONE	REVISION	DATE	ECN	NAME	CHKD
B-1	ALL	RELEASE TO PRODUCTION	1/26/12	22722	AEK	GES
C-1	1 ALL	UPDATED PANEL MOUNTING	2/7/12	22723	AEK	GES
D-1	ALL	ADDED PBM SHEETS	3/27/12	22723	AEK	GES
D-2	1 ALL	ADDED CENTER OF GRAVITY INFORMATION	4/3/12	22723	AEK	GES
E-1	ALL	REMOVED INLET BALL VALVE	5/8/12	22725	AEK	GES
F-1	ALL	ADDED SIGHT GAUGE	9/19/12	PXEC0019	AEK	DMS
G-1	2 CS	MOVED VAC SWITCH MANIFOLD TO CORRECT LOCATION	12/28/12	22723	AEK	DMS
H-1	ALL	MADE HIGH TEMP STANDARD ON BASIC CONTROLS	12/11/14	PXEC0048	AEK	GES
J-1	ALL	CHANGED OUTLET MANIFOLD TO 2"	1/2/15	PXEC0096	AEK	GES
J-1	ALL	CHANGED OUTLET MANIFOLD TO 2"	1/2/15	PXEC0096	AEK	GES
K-1	1 ALL	UPDATED TO PUMP WITH NEMA RATED MOTOR	6/27/16	PXEC0149	AEK	GES



NOTE: SYSTEM DESIGNED IN COMPLIANCE WITH U.S. NFPA '99, LATEST EDITION.

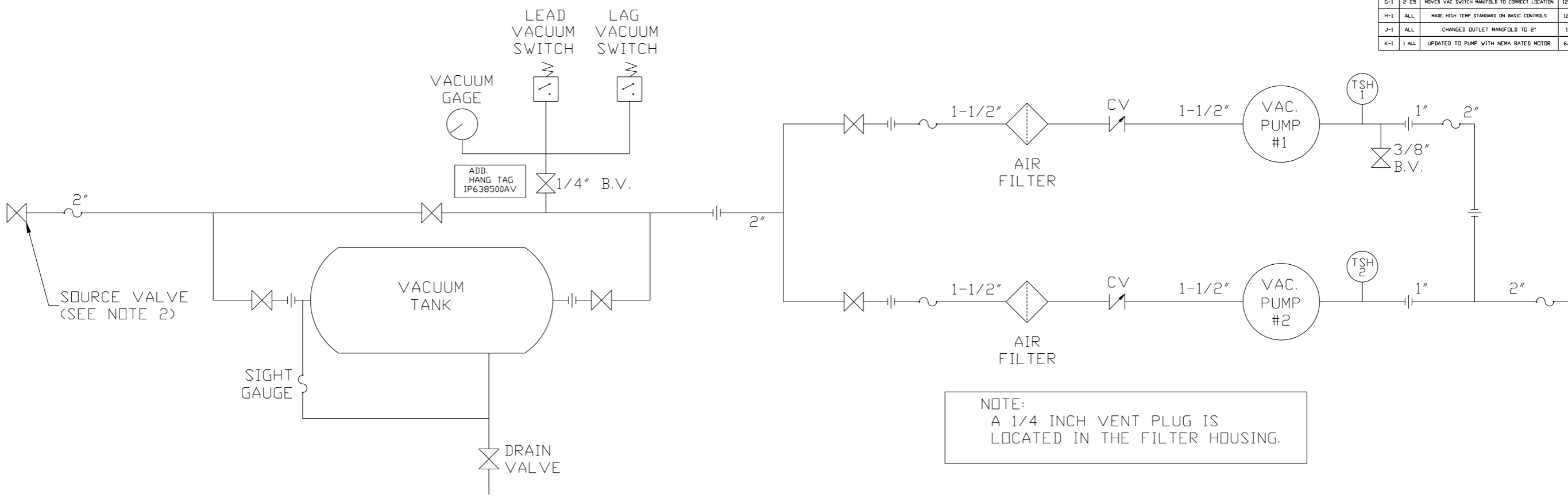
VACUUM SYSTEM:  
 TOTAL WEIGHT: 1835 LBS  
 C.O.G. DIMENSIONS  
 X (FRONT): -16.03"  
 Y (RIGHT): 27.41"  
 Z (HEIGHT): 32.09"

⊙ denotes center of gravity

SYMBOL LEGEND		= ADDITIONAL CONTROL REQ'D		Drawings to conform to the current revision of the following ANSI standards:	
⊖	= MINUS DRAFT	⊕	= PLUS DRAFT	⊖	= BRINELL HARDNESS
TOLERANCES NOT SPECIFIED		AUTOCAD REL2008 LT		DO NOT SCALE DRAWING FOR DIMENSIONS	
.XX ±		INCH		Sheet 1 of 2	
.XXX ±				SCALE 1:12	
<DEG> ±					
CONFIDENTIAL DISCLOSURE					
This drawing is the property of POWEREX, INC. of the SCOTT FETZER COMPANY and subject to return on demand. Its contents are confidential and must not be copied or submitted to outside parties for use or examination.					
DRAWN BY		CHECKED BY		APPROVED BY	
AEK		GES		DMS TH	
1/26/12		1/26/12		1/26/12 1/26/12	
MATERIAL		N/A		POWEREX	
PART NAME		5HP CLAW VAC		150 PRODUCTION DRIVE, HARRISON, OHIO 45030	
		60GAL DUPLEX		Ph: 888-769-7979 FAX: (513) 367-3125	
DWG NO		CVPDT0502B		SIZE D	

8 7 6 5 4 3 2 1

REV	ZONE	REVISION	DATE	ECN	NAME	CHKD
B-1	ALL	RELEASE TO PRODUCTION	1/26/12	22722	AEK	GES
C-1	1 ALL	UPDATED PANEL MOUNTING	2/7/12	22723	AEK	GES
D-1	ALL	ADDED PBM SHEETS	3/27/12	22723	AEK	GES
D-2	1 ALL	ADDED CENTER OF GRAVITY INFORMATION	4/3/12	22723	AEK	GES
E-1	ALL	REMOVED INLET BALL VALVE	5/8/12	22725	AEK	GES
F-1	ALL	ADDED SIGHT GAUGE	9/19/12	PXEC0019	AEK	DMS
G-1	2 CS	MOVED VAC SWITCH MANIFOLDS TO CORRECT LOCATION	12/28/12	22723	AEK	DMS
H-1	ALL	MADE HIGH TEMP STANDARD IN BASIC CONTROLS	12/11/14	PXEC0048	AEK	GES
J-1	ALL	CHANGED OUTLET MANIFOLD TO 2"	1/2/15	PXEC0096	AEK	GES
K-1	1 ALL	UPDATED TO PUMP WITH NEMA RATED MOTOR	6/27/16	PXEC0149	AEK	GES



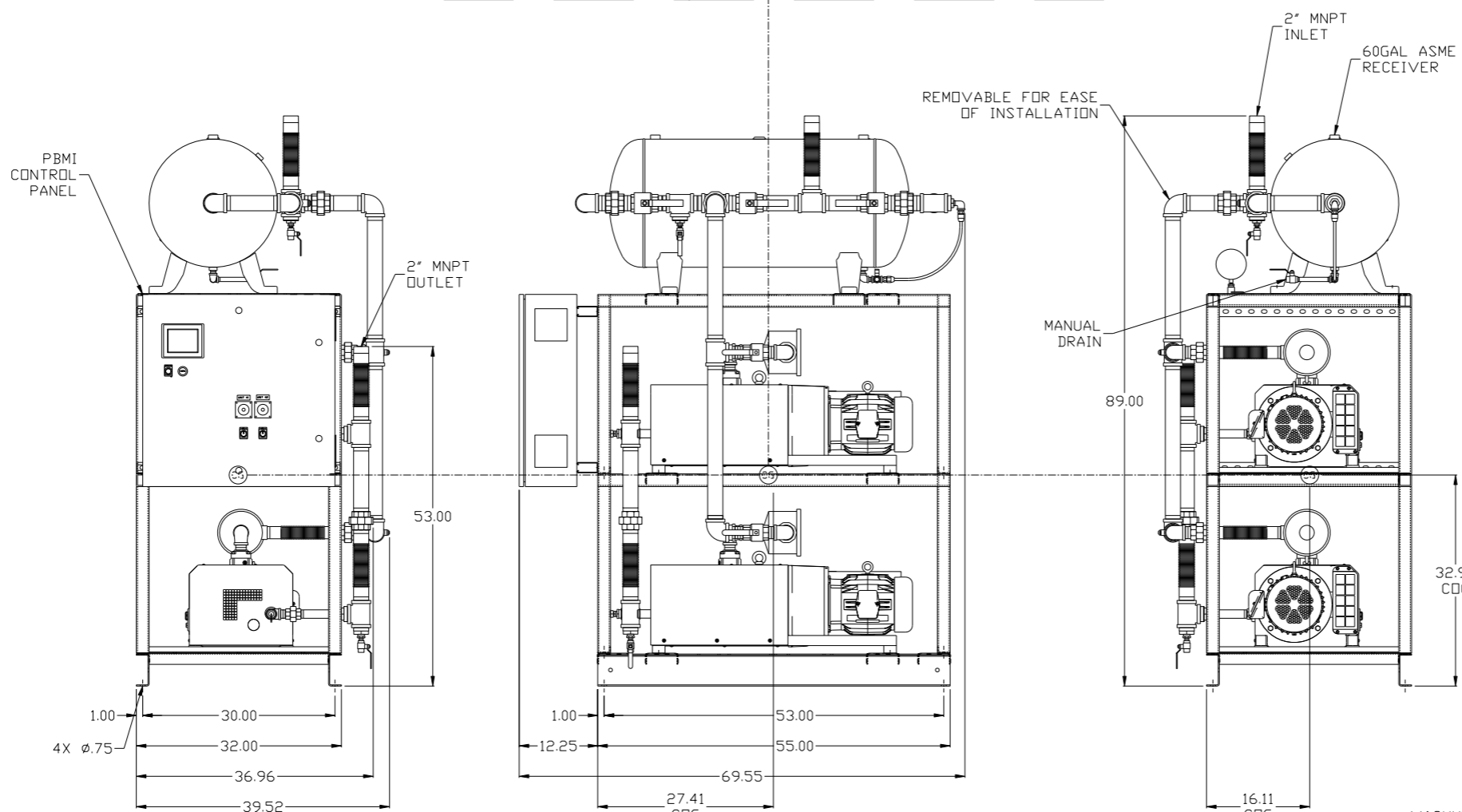
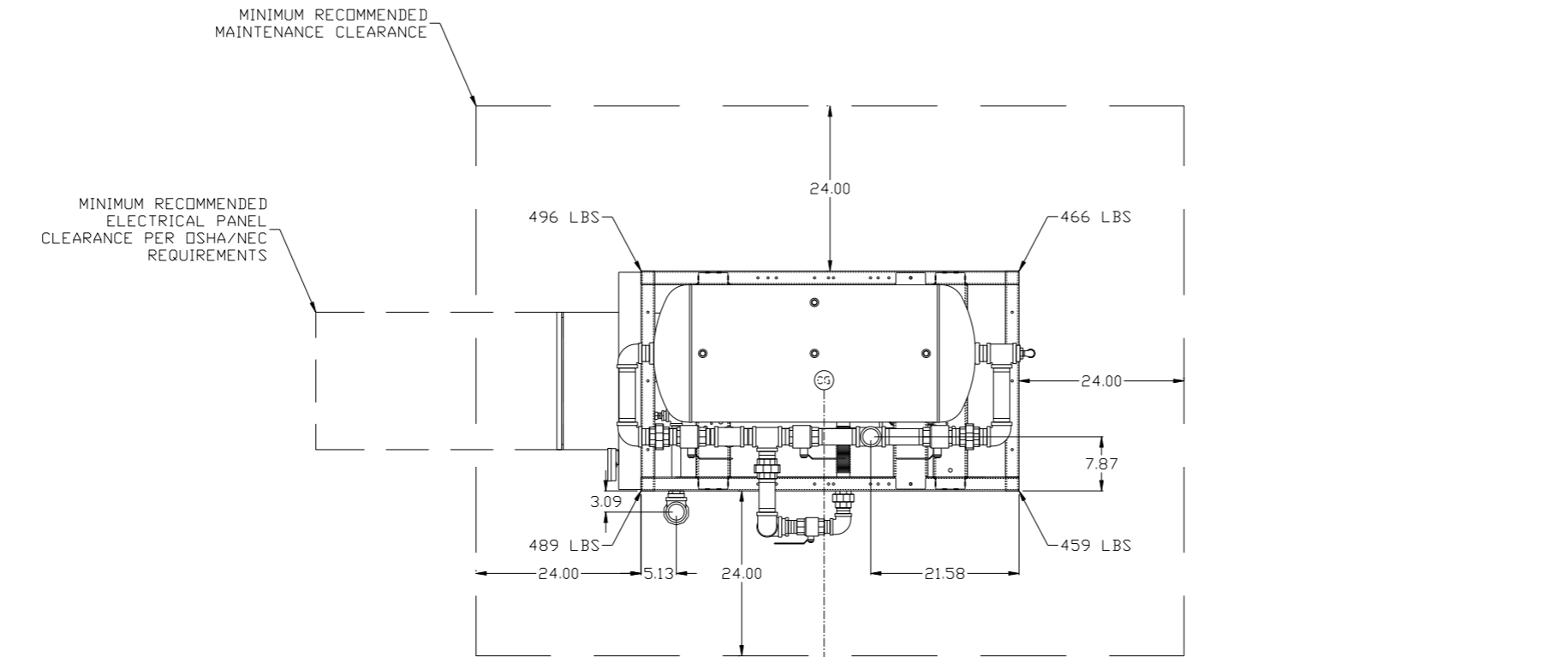
NOTE:  
A 1/4 INCH VENT PLUG IS  
LOCATED IN THE FILTER HOUSING.

LEGEND	
TSH 2	TEMP. SWITCH
	VACUUM SWITCH
	AIR FILTER
	BALL VALVE
	CHECK VALVE
	FLEX LINE
	UNION

NOTES:  
1) TSH - TEMPERATURE SWITCH HIGH  
2) PER NFPA THE SYSTEM WILL REQUIRE A SOURCE VALVE (SUPPLIED BY OTHERS).

SYMBOL LEGEND		= ADDITIONAL CONTROL REQ'D = BRINELL HARDNESS		Drawings to conform to the current revision of the following ANSI standards: Y14.3 Multi and sectional view dgs. Y14.5M Dimensioning and tolerancing
⊖ = MINUS DRAFT ⊕ = PLUS DRAFT	AUTOCAD REL2008 LT	DO NOT SCALE DRAWING FOR DIMENSIONS		
TOLERANCES NOT SPECIFIED .XX ± .XXX ± ∠(DEG.) ±	INCH	Sheet 2 of 2	SCALE	1:12
CONFIDENTIAL DISCLOSURE This drawing is the property of POWEREX, INC. of the SCOTT FETZER COMPANY and subject to return on demand. Its contents are confidential and must not be copied or submitted to outside parties for use or examination.		DRAWN BY AEK	CHECKED BY GES	APPROVED BY ENGINEERING MFG/MRKTG DMS TH
MATERIAL	N/A	1/26/12	1/26/12	1/26/12
PART NAME	DUPLEX CLAW VACUUM FLOW SCHEMATIC	 150 PRODUCTION DRIVE, HARRISON, OHIO 45030 Ph 888-769-7979 FAX (513) 367-3125		SIZE D
		DWG NO CVPDT0502B		

REV	ZONE	REVISION	DATE	ECN	NAME	CHKD
D-1	ALL	ADDED PBMI SHEETS	3/27/12	22723	AEK	GES
D-2	1 ALL	ADDED CENTER OF GRAVITY INFORMATION	4/3/12	22723	AEK	GES
E-1	ALL	REMOVED INLET BALL VALVE	5/8/12	22725	AEK	GES
F-1	ALL	ADDED SIGHT GAUGE	9/19/12	PXEC0019	AEK	DMS
G-1	2 CS	MOVED VAC SWITCH MANIFOLD TO CORRECT LOCATION	12/28/12	22723	AEK	DMS
H-1	ALL	MADE HIGH TEMP STANDARD ON BASIC CONTROLS	12/11/14	PXEC0048	AEK	GES
J-1	ALL	CHANGED OUTLET MANIFOLD TO 2"	1/2/15	PXEC0096	AEK	GES
K-1	1 ALL	UPDATED TO PUMP WITH NEMA RATED MOTOR	6/27/16	PXEC0149	AEK	GES



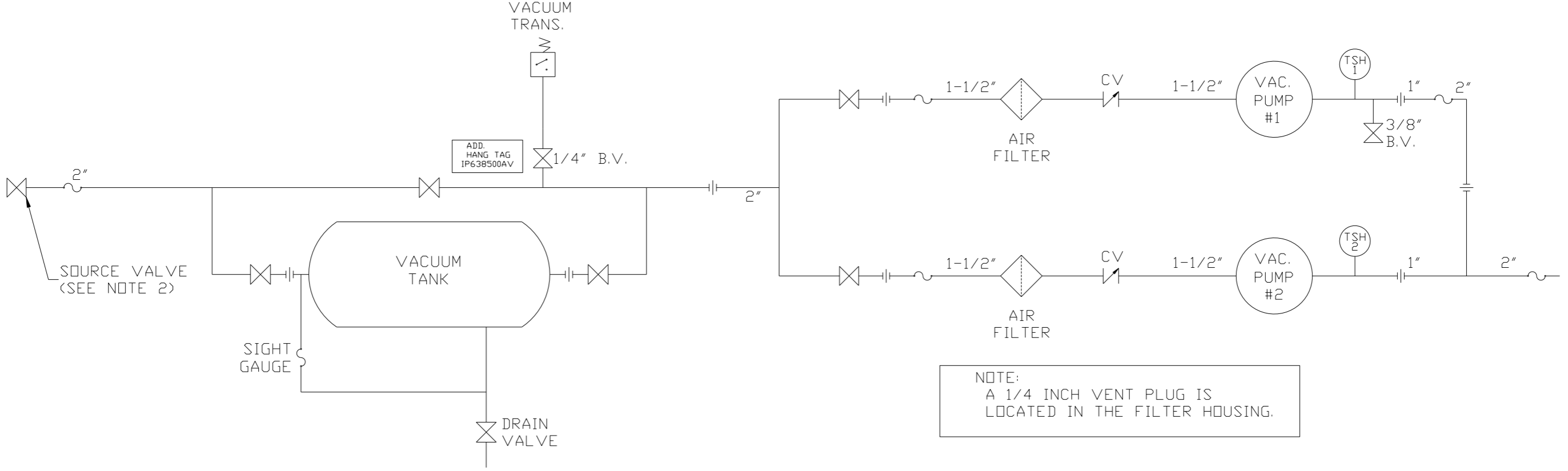
CG denotes center of gravity

<b>SYMBOL LEGEND</b> ⊖ = MINUS DRAFT ⊕ = PLUS DRAFT TOLERANCES NOT SPECIFIED .XX ± .XXX ± <math>\angle</math> (DEG) ±		= ADDITIONAL CONTROL REQ'D = BRINELL HARDNESS	Drawings to conform to the current revision of the following ANSI standards: Y14.3 Multi and sectional view dsgs. Y14.5M Dimensioning and tolerancing
AUTOCAD REL2008 LT <b>INCH</b>		<b>DO NOT SCALE DRAWING FOR DIMENSIONS</b> Sheet 1 of 2 SCALE 1:12	
<b>CONFIDENTIAL DISCLOSURE</b> This drawing is the property of POWEREX, INC. of the SCOTT FETZER COMPANY and subject to return on demand. Its contents are confidential and must not be copied or submitted to outside parties for use or examination.			
DRAWN BY AEK	CHECKED BY GES	APPROVED BY ENGINEERING DMS	MFG/MKTG DFG
MATERIAL N/A		<b>POWEREX</b> 150 PRODUCTION DRIVE, HARRISON, OHIO 45030 Ph: 888-769-7979 FAX: (513) 367-3125	
PART NAME 5HP CLAW VAC 60GAL DUPLEX		DWG NO CVPDT0502B SIZE D	

VACUUM SYSTEM:  
 TOTAL WEIGHT: 1910 LBS  
 C.O.G. DIMENSIONS  
 X (FRONT): -16.11"  
 Y (RIGHT): 26.64"  
 Z (HEIGHT): 32.94"

NOTE: SYSTEM DESIGNED IN COMPLIANCE WITH U.S. NFPA '99, LATEST EDITION.

REV	ZONE	REVISION	DATE	ECN	NAME	CHKD
D-1	ALL	ADDED P&ID SHEETS	3/27/12	22723	AEK	GES
D-2	1 ALL	ADDED CENTER OF GRAVITY INFORMATION	4/3/12	22723	AEK	GES
E-1	ALL	REMOVED INLET BALL VALVE	5/8/12	22725	AEK	GES
F-1	ALL	ADDED SIGHT GAUGE	9/19/12	PXEC0019	AEK	DMS
G-1	2 CS	MOVED VAC SWITCH MANIFOLD TO CORRECT LOCATION	12/28/12	22723	AEK	DMS
H-1	ALL	MADE HIGH TEMP STANDARD ON BASIC CONTROLS	12/11/14	PXEC0048	AEK	GES
J-1	ALL	CHANGED OUTLET MANIFOLD TO 2"	1/2/15	PXEC0096	AEK	GES
K-1	1 ALL	UPDATED TO PUMP WITH NEMA RATED MOTOR	6/27/16	PXEC0149	AEK	GES



NOTE:  
A 1/4 INCH VENT PLUG IS  
LOCATED IN THE FILTER HOUSING.

LEGEND	
TSH 2	TEMP. SWITCH
	AIR FILTER
	BALL VALVE
	VACUUM SWITCH
	CHECK VALVE
	FLEX LINE
	UNION

NOTES:  
1) TSH - TEMPERATURE SWITCH HIGH  
2) PER NFPA THE SYSTEM WILL REQUIRE A SOURCE VALVE (SUPPLIED BY OTHERS).

SYMBOL LEGEND		= ADDITIONAL CONTROL REQ'D = MINUS DRAFT = PLUS DRAFT = BRINELL HARDNESS		Drawings to conform to the current revision of the following ANSI standards: Y14.3 Multi and sectional view dgs. Y14.5M Dimensioning and tolerancing
TOLERANCES NOT SPECIFIED	AUTOCAD REL2008 LT	DO NOT SCALE DRAWING FOR DIMENSIONS		
.XX ± .XXX ± <<DEG> ±	INCH	Sheet 2 of 2	SCALE 1:12	
CONFIDENTIAL DISCLOSURE This drawing is the property of POWEREX, INC. of the SCOTT FETZER COMPANY and subject to return on demand. Its contents are confidential and must not be copied or submitted to outside parties for use or examination.		DRAWN BY AEK	CHECKED BY GES	APPROVED BY ENGINEERING MFG/MRKTG DMS DFG
MATERIAL N/A		3/27/12	3/27/12 3/27/12 3/27/12	
PART NAME DUPLEX CLAW VACUUM FLOW SCHEMATIC		 150 PRODUCTION DRIVE, HARRISON, OHIO 45030 Ph: 888-769-7979 FAX: (513) 367-3125		
DWG NO CVPDT0502B		SIZE D		