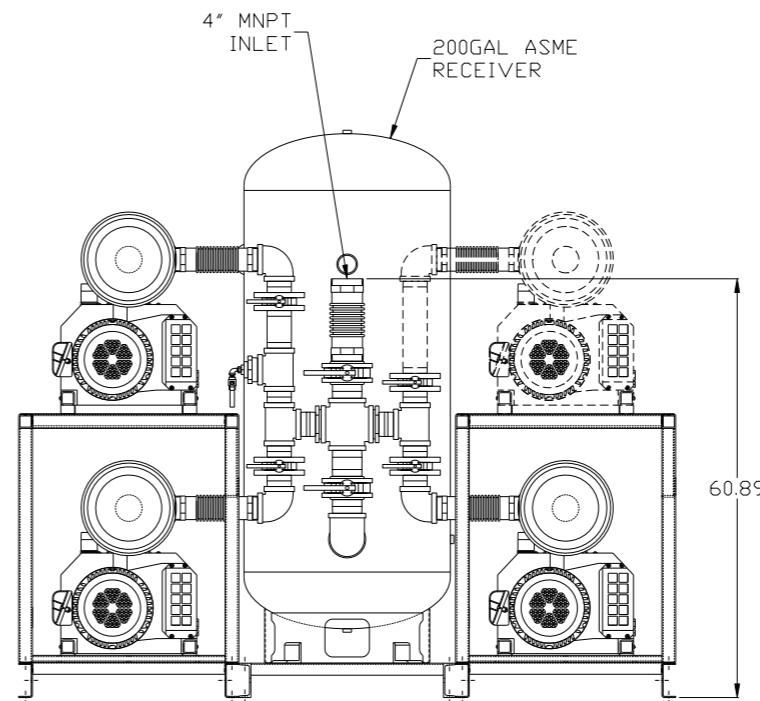
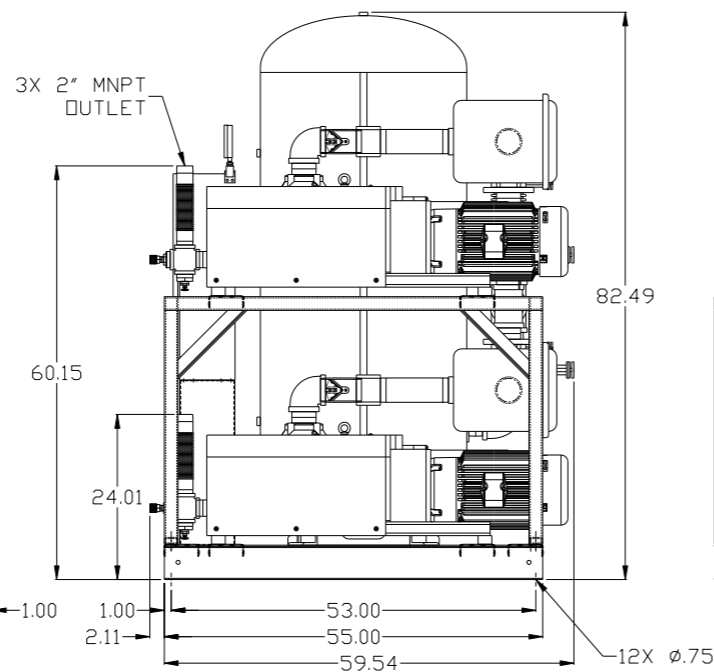
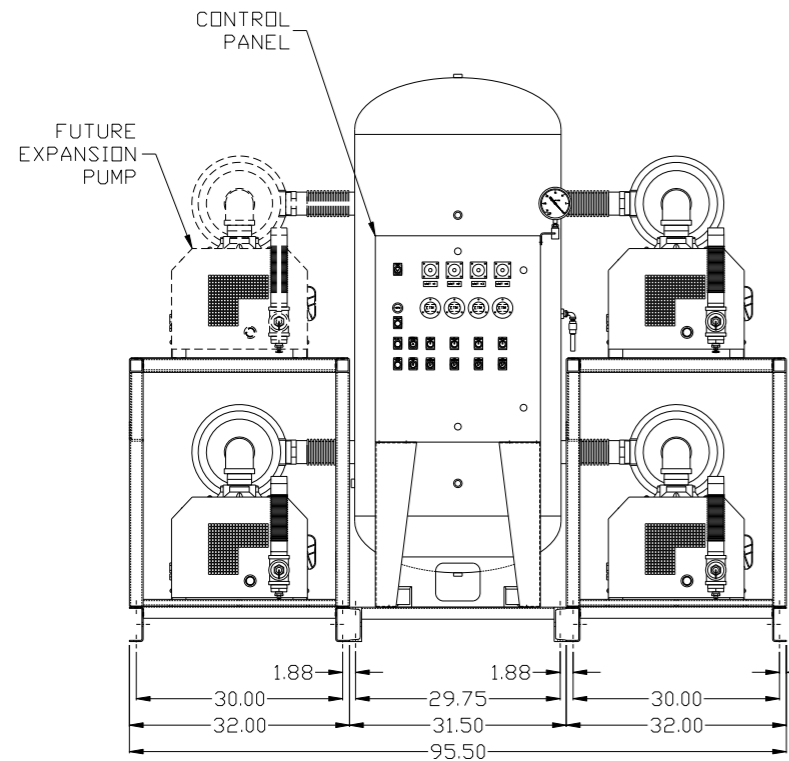


REV	ZONE	REVISION	DATE	ECN	NAME	CHKD
B-1	ALL	RELEASE TO PRODUCTION	5/12/10	22347	AEK	GES
C-1	ALL	UPDATED TO CV81003AV/-04AV	10/2/12	PXEC0013	AEK	DMS
D-1	ALL	UPDATED PUMP MOTOR	8/1/14	PXEC0067	AEK	GES
E-1	ALL	ADDED PBMI SHEETS	3/7/17	PXEC0187	AEK	GES

MINIMUM RECOMMENDED ELECTRICAL PANEL CLEARANCE PER OSHA/NEC REQUIREMENTS

MINIMUM RECOMMENDED MAINTENANCE CLEARANCE

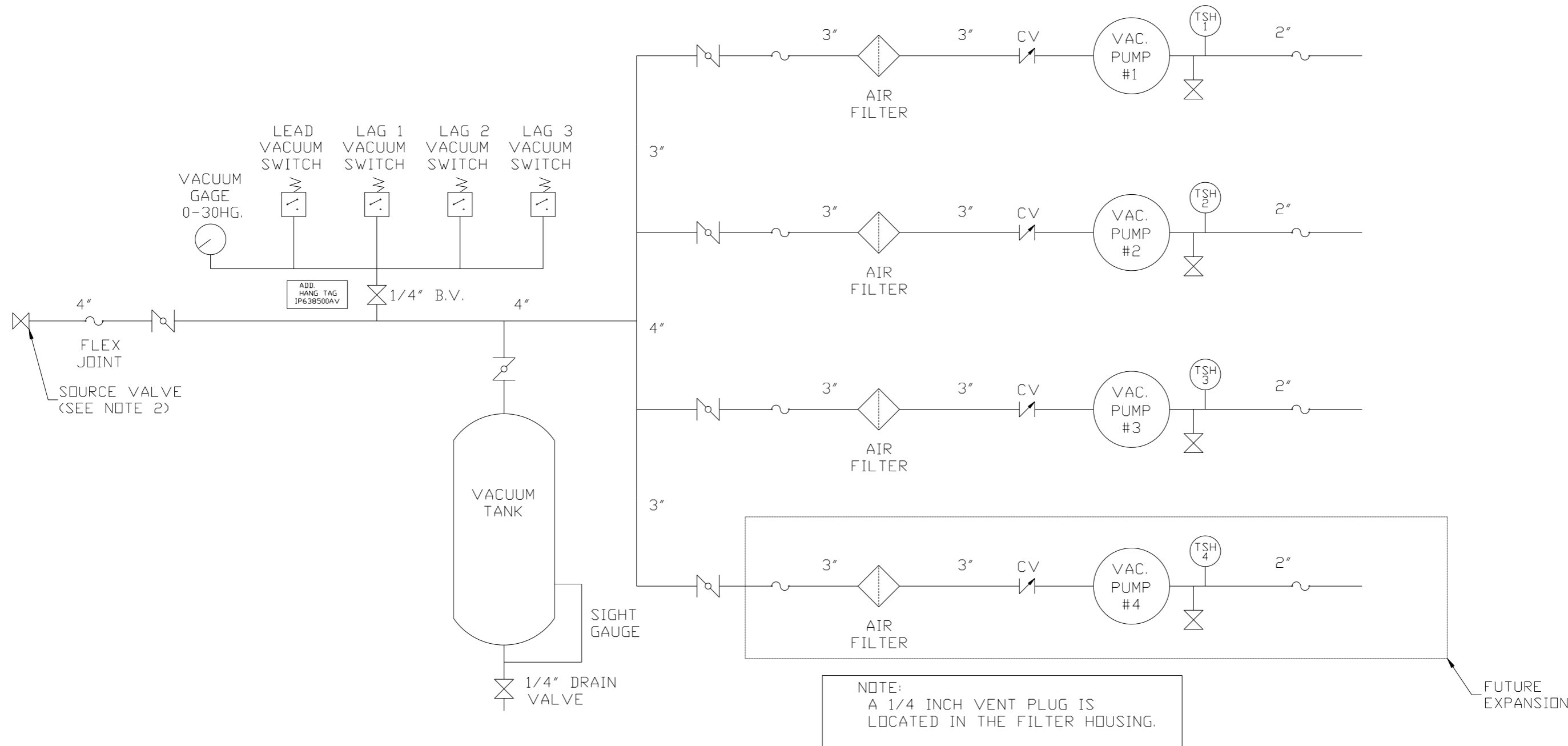
EXPANSION PUMP AND TOP FRAME NOT SHOWN IN TOP VIEW FOR CLARITY



NOTE: SYSTEM DESIGNED IN COMPLIANCE WITH U.S. NFPA '99, LATEST EDITION.

SYMBOL LEGEND		DRAWINGS TO CONFORM TO THE CURRENT REVISION OF THE FOLLOWING ANSI STANDARDS	
⊖	MINUS DRAFT	⊕	PLUS DRAFT
⊕	ADDITIONAL CONTROL REQ'D	⊕	BRINELL HARDNESS
TOLERANCES NOT SPECIFIED		DO NOT SCALE DRAWING FOR DIMENSIONS	
.XX ±		Sheet 1 of 2	
.XXX ±		SCALE 1:14	
< < DEG > ±			
CONFIDENTIAL DISCLOSURE: This drawing is the property of POWEREX, INC. of the SCOTT FELTZER COMPANY and subject to return on demand. Its contents are confidential and must not be copied or submitted to outside parties for use or examination.			
MATERIAL		N/A	
PART NAME		10HP CLAW VACUUM	
DWG NO		CVPT1005-EXP	
SIZE		D	

REV	ZONE	REVISION	DATE	ECN	NAME	CHKD
B-1	ALL	RELEASE TO PRODUCTION	5/12/10	22347	AEK	GES
C-1	ALL	UPDATED TO CV81003AV/-04AV	10/2/12	PXEC0013	AEK	DMS
D-1	ALL	UPDATED PUMP MOTOR	8/1/14	PXEC0067	AEK	GES
E-1	ALL	ADDED P&MI SHEETS	3/7/17	PXEC0187	AEK	GES



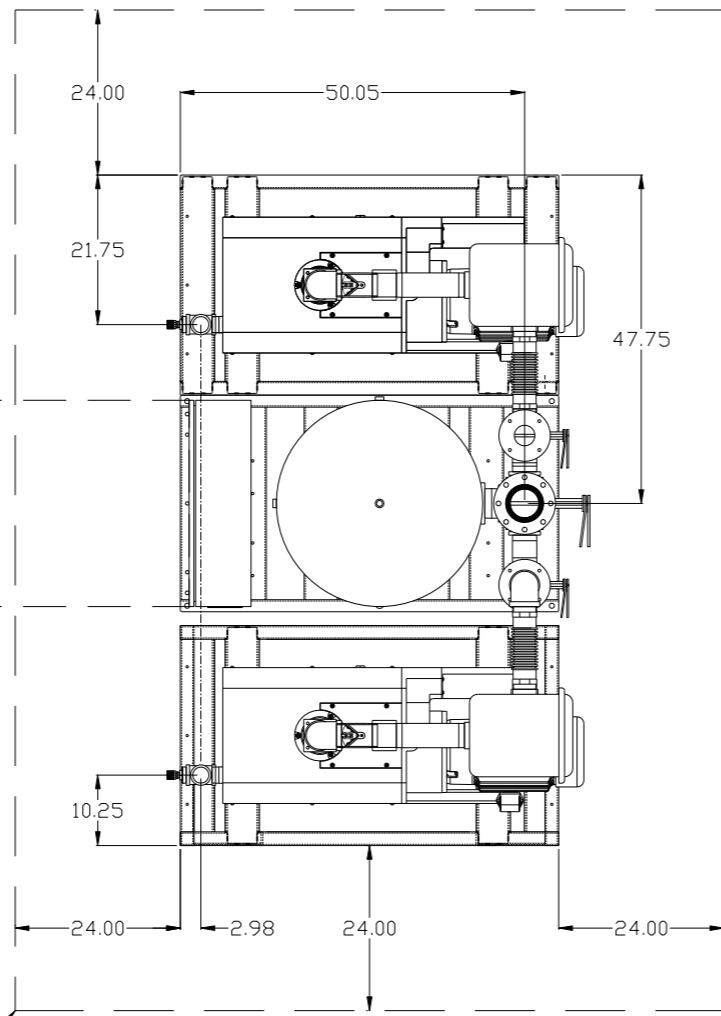
LEGEND	
	TEMP. SWITCH
	VACUUM SWITCH
	AIR FILTER
	BALL VALVE
	BUTTERFLY VALVE
	CHECK VALVE
	FLEX LINE
	UNION

NOTES:
 1) TSH - TEMPERATURE SWITCH HIGH
 2) PER NFPA THE SYSTEM WILL REQUIRE A SOURCE VALVE (SUPPLIED BY OTHERS).

SYMBOL LEGEND			ADDITIONAL CONTROL REQ'D	Drawings to conform to the current revision of the following ANSI standards
	MINUS DRAFT		BRINELL HARDNESS	Y14.3 Multi and sectional view dsgs. Y14.5M Dimensioning and tolerancing
TOLERANCES NOT SPECIFIED		AUTOCAD REL2008 LT		DO NOT SCALE DRAWING FOR DIMENSIONS
.XX ±	.XXX ±	INCH		Sheet 2 of 2
CONFIDENTIAL DISCLOSURE		This drawing is the property of POWEREX, INC. of the SCOTT FETZER COMPANY and subject to return on demand. Its contents are confidential and must not be copied or submitted to outside parties for use or examination.		
DRAWN BY		CHECKED BY	APPROVED BY	SCALE
AEK		GES	DMS TZ	1:14
DATE		DATE	DATE	DATE
5/12/10		5/12/10	5/12/10	5/12/10
MATERIAL		N/A		
PART NAME		CLAW VAC TRIPLEX EXP		
FLOW SCHEMATIC		DWG NO. CVPT1005-EXP		
		SIZE D		

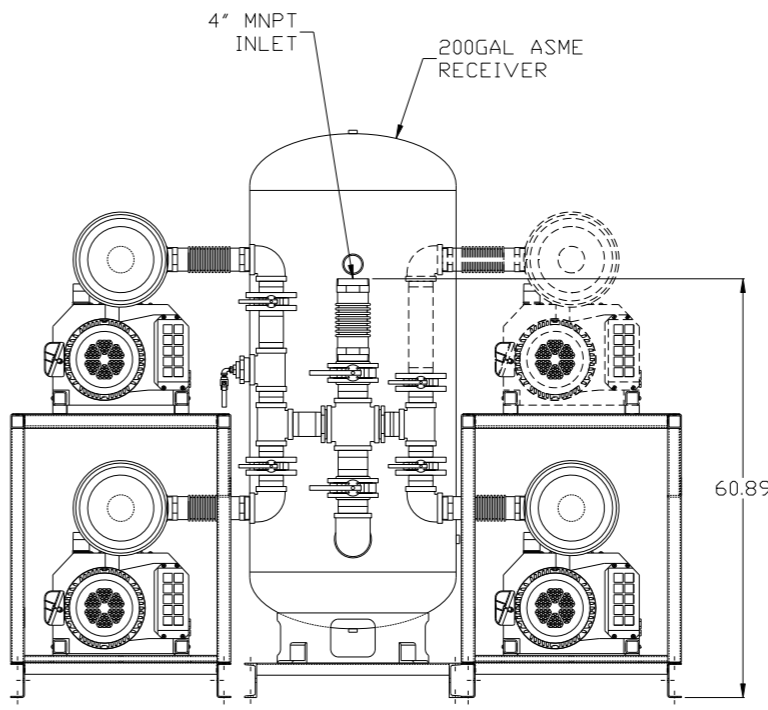
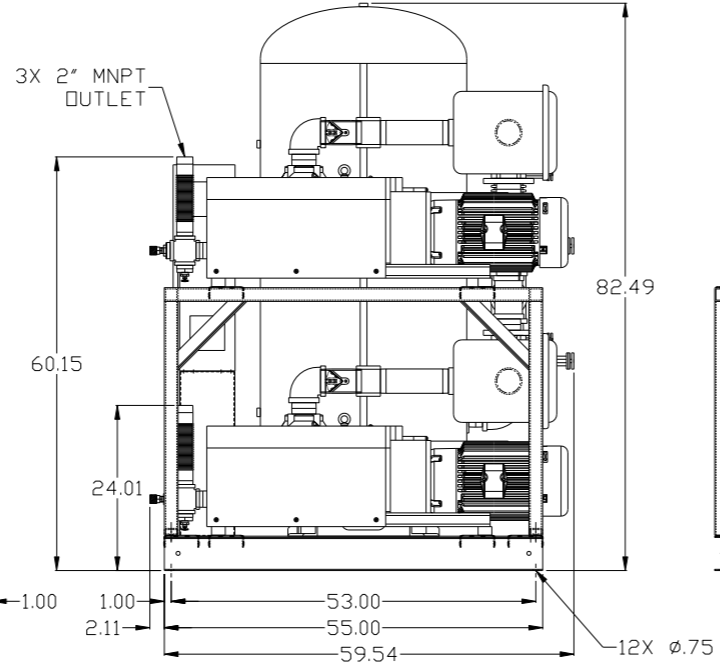
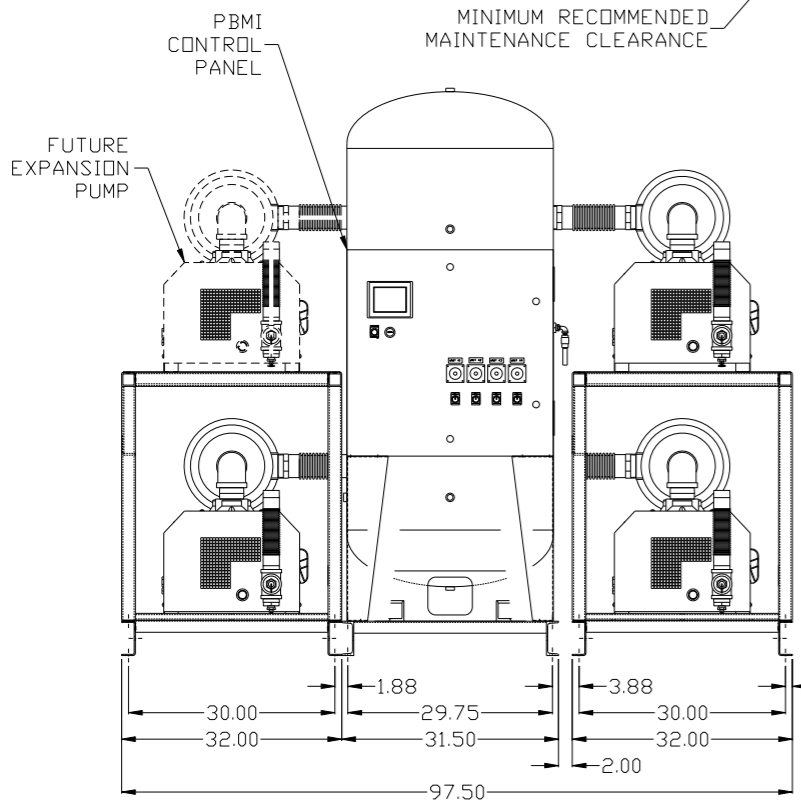
REV	ZONE	REVISION	DATE	ECN	NAME	CHKD
E-1	ALL	ADDED PBMI SHEETS	3/7/17	PXCC0187	AEK	GES

MINIMUM RECOMMENDED ELECTRICAL PANEL CLEARANCE PER OSHA/NEC REQUIREMENTS



EXPANSION PUMP AND TOP FRAME NOT SHOWN IN TOP VIEW FOR CLARITY

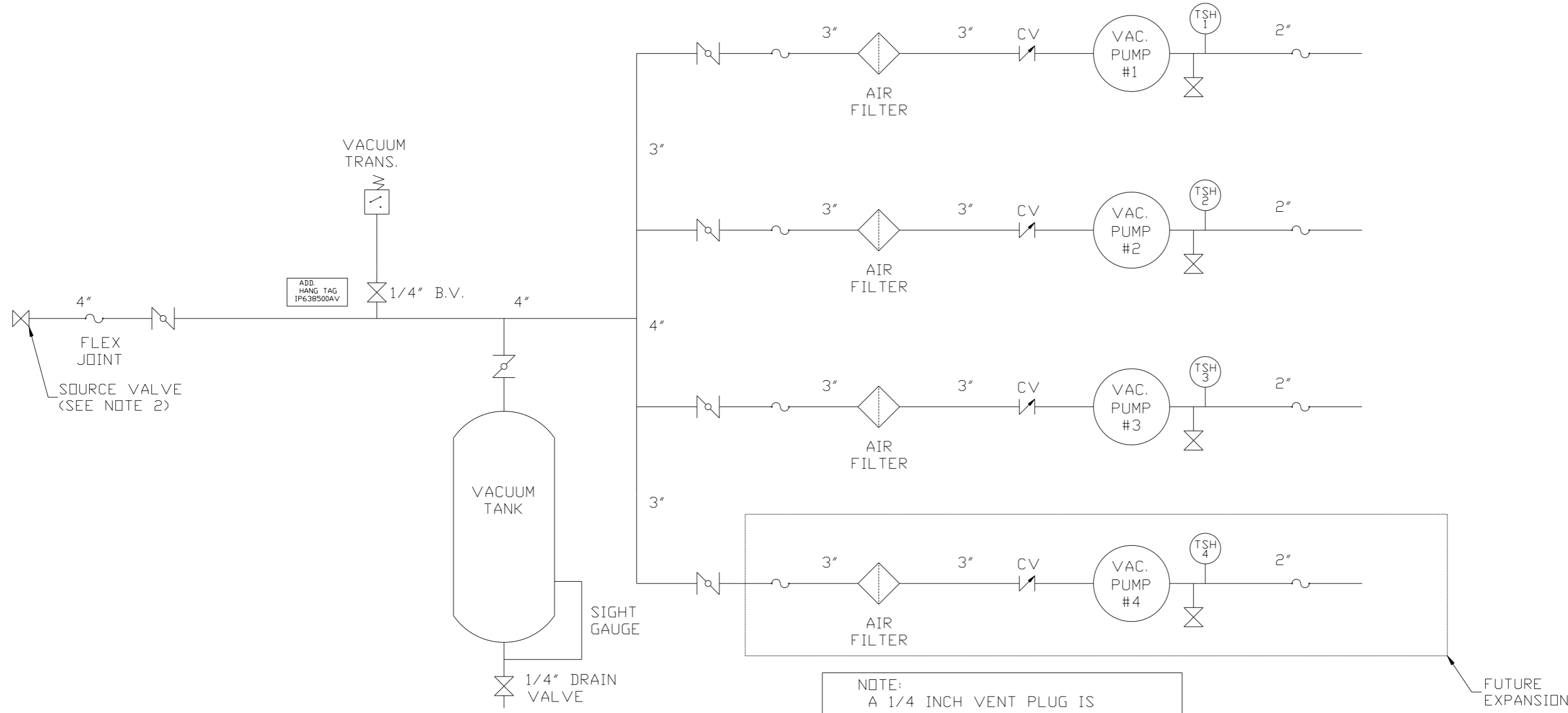
MINIMUM RECOMMENDED MAINTENANCE CLEARANCE



NOTE: SYSTEM DESIGNED IN COMPLIANCE WITH U.S. NFPA '99, LATEST EDITION.

SYMBOL LEGEND		DRAWINGS TO CONFORM TO THE CURRENT REVISION OF THE FOLLOWING ANSI STANDARDS	
⊖	MINUS DRAFT	⊕	PLUS DRAFT
⊕	ADDITIONAL CONTROL REQ'D	⊕	BRINELL HARDNESS
TOLERANCES NOT SPECIFIED		DO NOT SCALE DRAWING FOR DIMENSIONS	
.XX ±		AUTOCAD REL2014 LT	SCALE 1:14
.XXX ±		INCH	Sheet 1 of 2
<Z< DEG > ±			
CONFIDENTIAL DISCLOSURE		APPROVED BY	
This drawing is the property of POWEREX, INC. of the SCOTT FELTZER COMPANY and subject to return on demand. Its contents are confidential and must not be copied or submitted to outside parties for use or examination.		DRAWN BY	CHECKED BY
		AEK	GES
		3/7/17	3/7/17
		3/7/17	3/7/17
		3/7/17	3/7/17
MATERIAL		PART NAME	
N/A		10HP CLAW VACUUM	
		200GAL TRIPLEX EXP	
		DWG NO	SIZE
		CVPT1005-EXP	D

REV	ZONE	REVISION	DATE	ECN	NAME	CHKD
E-1	ALL	ADDED P&MI SHEETS	3/7/17	PXCC0187	AEK	GES



NOTE:
A 1/4 INCH VENT PLUG IS
LOCATED IN THE FILTER HOUSING.

FUTURE
EXPANSION

NOTES:
1) TSH - TEMPERATURE SWITCH HIGH
2) PER NFPA THE SYSTEM WILL REQUIRE A SOURCE VALVE (SUPPLIED BY OTHERS).

LEGEND	
	TEMP. SWITCH
	VACUUM SWITCH
	AIR FILTER
	BALL VALVE
	BUTTERFLY VALVE
	CHECK VALVE
	FLEX LINE
	UNION

SYMBOL LEGEND			ADDITIONAL CONTROL REQ'D	Drawings to conform to the current revision of the following ANSI standards: Y14.3 Multi and sectional view dgs. Y14.5M Dimensioning and tolerancing
	MINUS DRAFT		BRINELL HARDNESS	
TOLERANCES NOT SPECIFIED		AUTOCAD REL2014 LT		DO NOT SCALE DRAWING FOR DIMENSIONS
.XX ±	.XXX ±	INCH		Sheet 2 of 2
CONFIDENTIAL DISCLOSURE		This drawing is the property of POWEREX, INC. of the SCOTT FETZER COMPANY and subject to return on demand. Its contents are confidential and must not be copied or submitted to outside parties for use or examination.		SCALE 1:14
DRAWN BY		CHECKED BY	APPROVED BY	DATE
AEK		GES	KMD	RJR
3/7/17		3/7/17	3/7/17	3/7/17
MATERIAL		N/A		
PART NAME		CLAW VAC TRIPLEX EXP		
FLOW SCHEMATIC		CVPT1005-EXP		