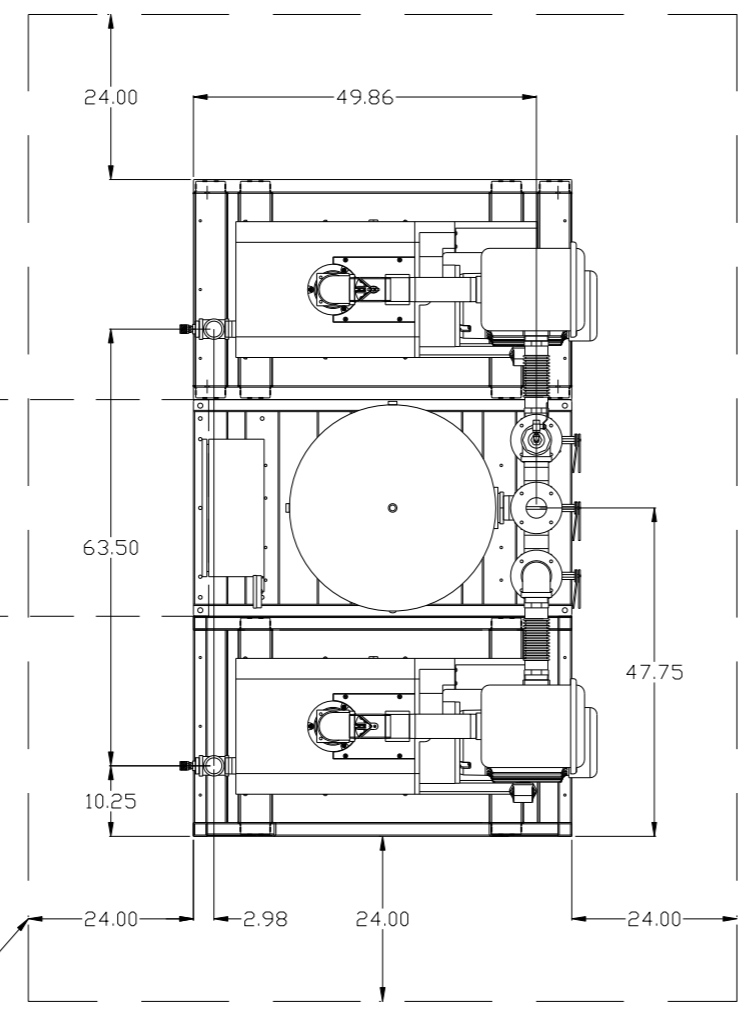


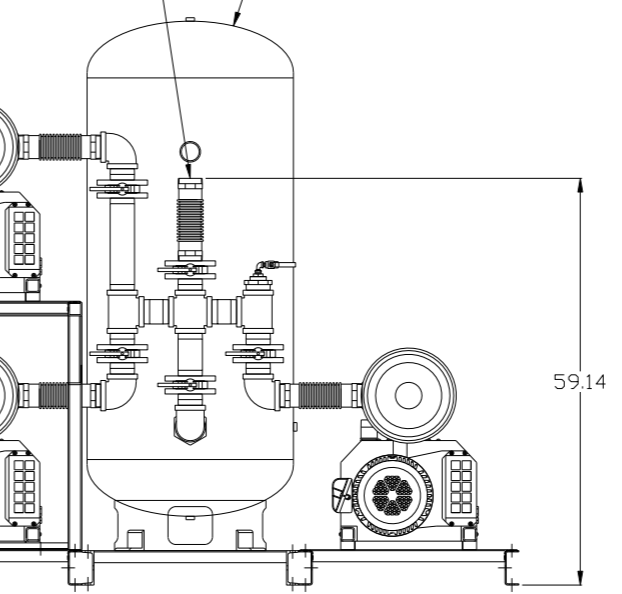
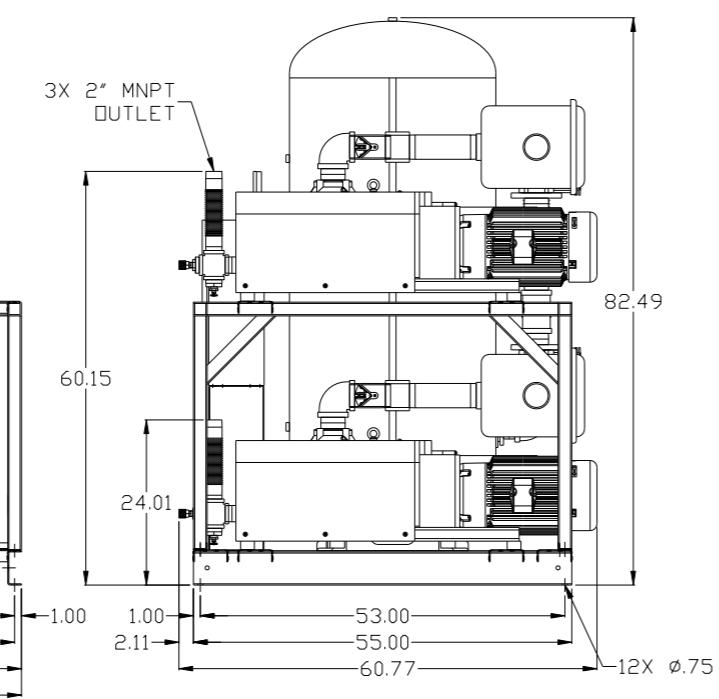
REV	ZONE	REVISION	DATE	ECN	NAME	CHKD
B-1	ALL	RELEASE TO PRODUCTION	2/26/08	21881	AEK	GES
B-2	ALL	CORRECTED PLUMBING SIZES; ADDED PIPE SIZES TO FLOW	3/27/08	21881	AEK	GES
B-3	1 ALL	MOVED PUMPS TO RIGHT SIDE OF PANEL/TANK SKID	4/22/08	21881	AEK	GES
C-1	1 ALL	REMOVED VACUUM SWITCHES FROM CONTROL PANEL	11/17/09	22127	AEK	GES
D-1	2 B2.C2	ADDED DRIP LEGS	3/17/11	22546	AEK	DMS
E-1	ALL	UPDATED TO CVB10003AV/-04AV	10/2/12	PXEC0013	AEK	DMS
F-1	ALL	ADDED P&MI SHEETS	7/11/13	PXEC0030	AEK	GES
G-1	1 ALL	UPDATED PUMP TO CURRENT MOTOR	7/30/14	PXEC0067	AEK	GES

MINIMUM RECOMMENDED ELECTRICAL PANEL CLEARANCE PER OSHA

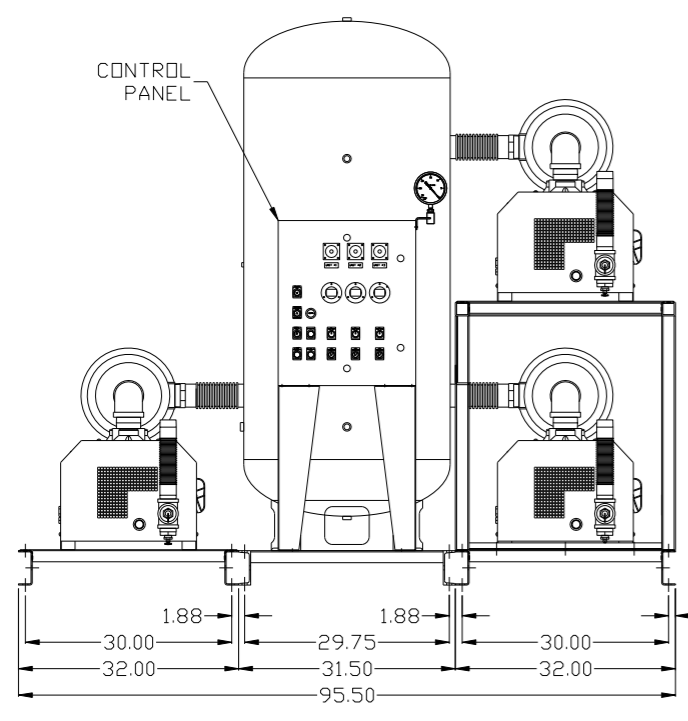
MINIMUM RECOMMENDED MAINTENANCE CLEARANCE



3" MNPT INLET
200GAL ASME RECEIVER

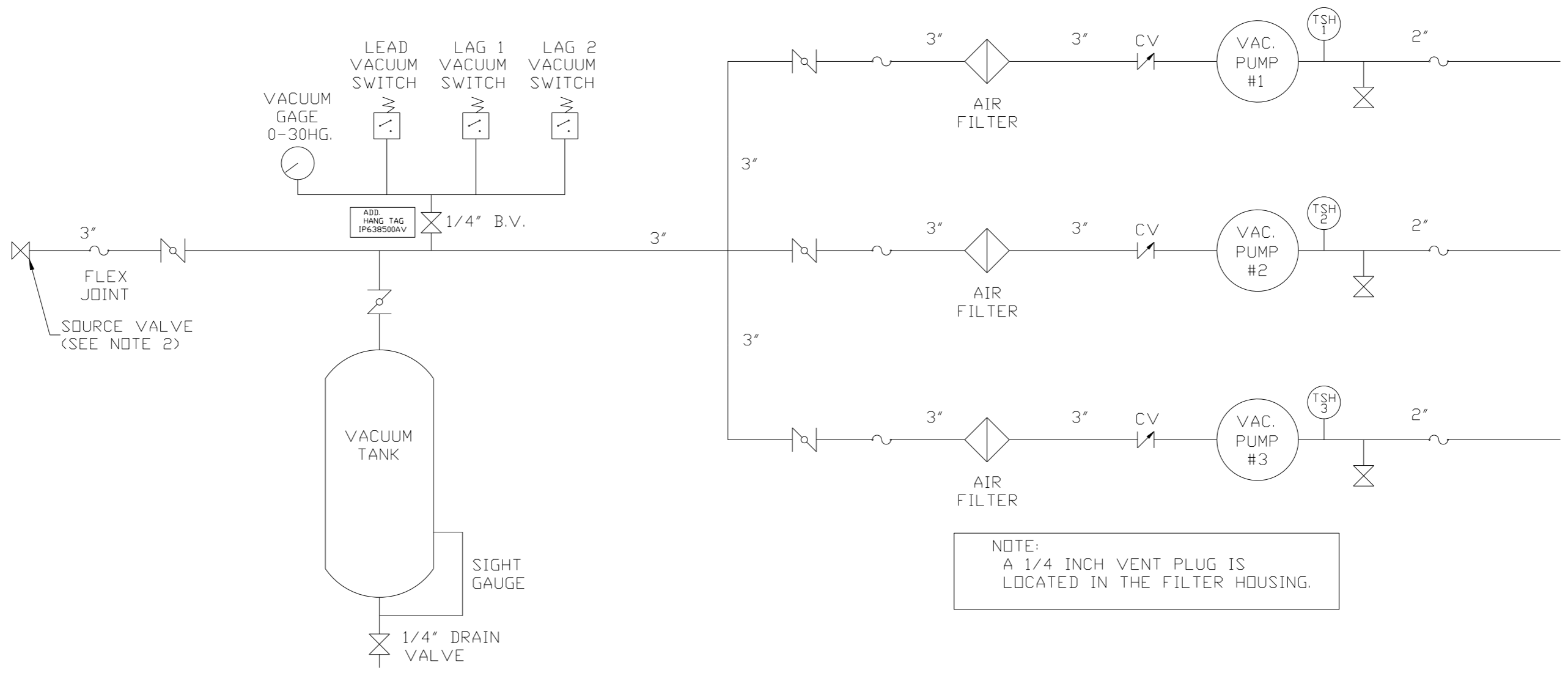


NOTE: SYSTEM DESIGNED IN COMPLIANCE WITH U.S. NFPA '99, LATEST EDITION.



SYMBOL LEGEND ⊖ = MINUS DRAFT ⊕ = PLUS DRAFT ∅ = ADDITIONAL CONTROL REQ'D HRC = BRINELL HARDNESS		Drawings to conform to the current revision of the following ANSI standards: Y14.3 Multi and sectional view dsgs. Y14.5M Dimensioning and tolerancing	
TOLERANCES NOT SPECIFIED .XX ± .XXX ± <DEG> ±		AUTOCAD REL2008 LT INCH DO NOT SCALE DRAWING FOR DIMENSIONS Sheet 1 of 2 SCALE 1:14	
CONFIDENTIAL DISCLOSURE This drawing is the property of POWEREX, INC. of the SCOTT FETZER COMPANY and subject to return on demand. Its contents are confidential and must not be copied or submitted to outside parties for use or examination.			
DRAWN BY AEK		CHECKED BY GES	
2/26/08		APPROVED BY ENGINEERING MFG/MKTG DMS RJR 2/26/08 2/26/08	
MATERIAL N/A			
PART NAME 10HP CLAW VACUUM 200GAL. TRIPLEX		POWEREX 150 PRODUCTION DRIVE, HARRISON, OHIO 45030 Ph 888-769-7979 FAX (513) 367-3125	
DWG NO CVPT1005		SIZE D	

REV	ZONE	REVISION	DATE	ECN	NAME	CHKD
B-1	ALL	RELEASE TO PRODUCTION	2/26/08	21881	AEK	GES
B-2	ALL	CORRECTED PLUMBING SIZES; ADDED PIPE SIZES TO FLOW	3/27/08	21881	AEK	GES
B-3	1 ALL	MOVED PUMPS TO RIGHT SIDE OF PANEL/TANK SKID	4/22/08	21881	AEK	GES
C-1	1 ALL	REMOVED VACUUM SWITCHES FROM CONTROL PANEL	11/17/09	22127	AEK	GES
D-1	2 B2.C2	ADDED DRIP LEGS	3/17/11	22546	AEK	DMS
E-1	ALL	UPDATED TO CVB10003AV/-04AV	10/2/12	PXEC0013	AEK	DMS
F-1	ALL	ADDED P&MI SHEETS	7/11/13	PXEC0030	AEK	GES
G-1	1 ALL	UPDATED PUMP TO CURRENT MOTOR	7/30/14	PXEC0067	AEK	GES



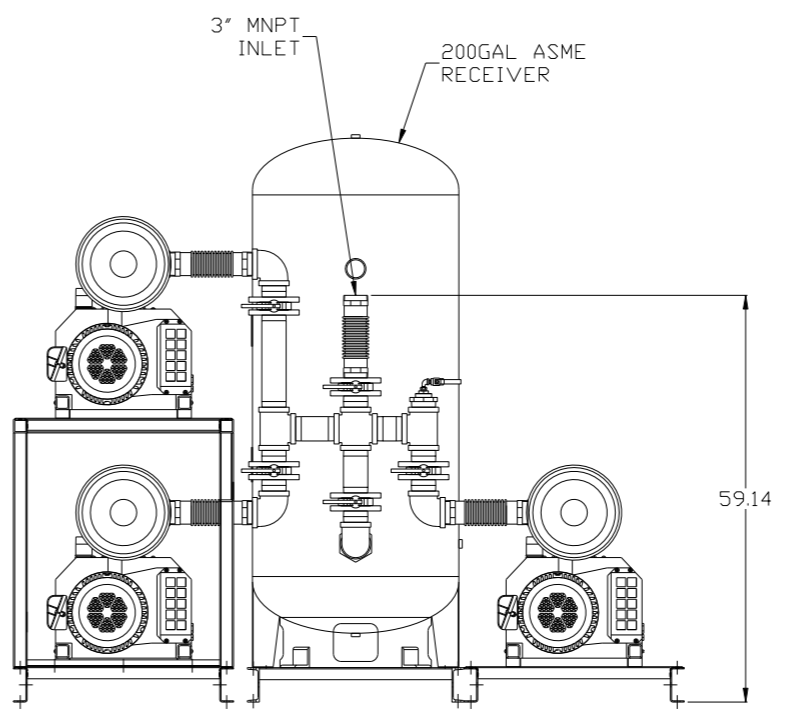
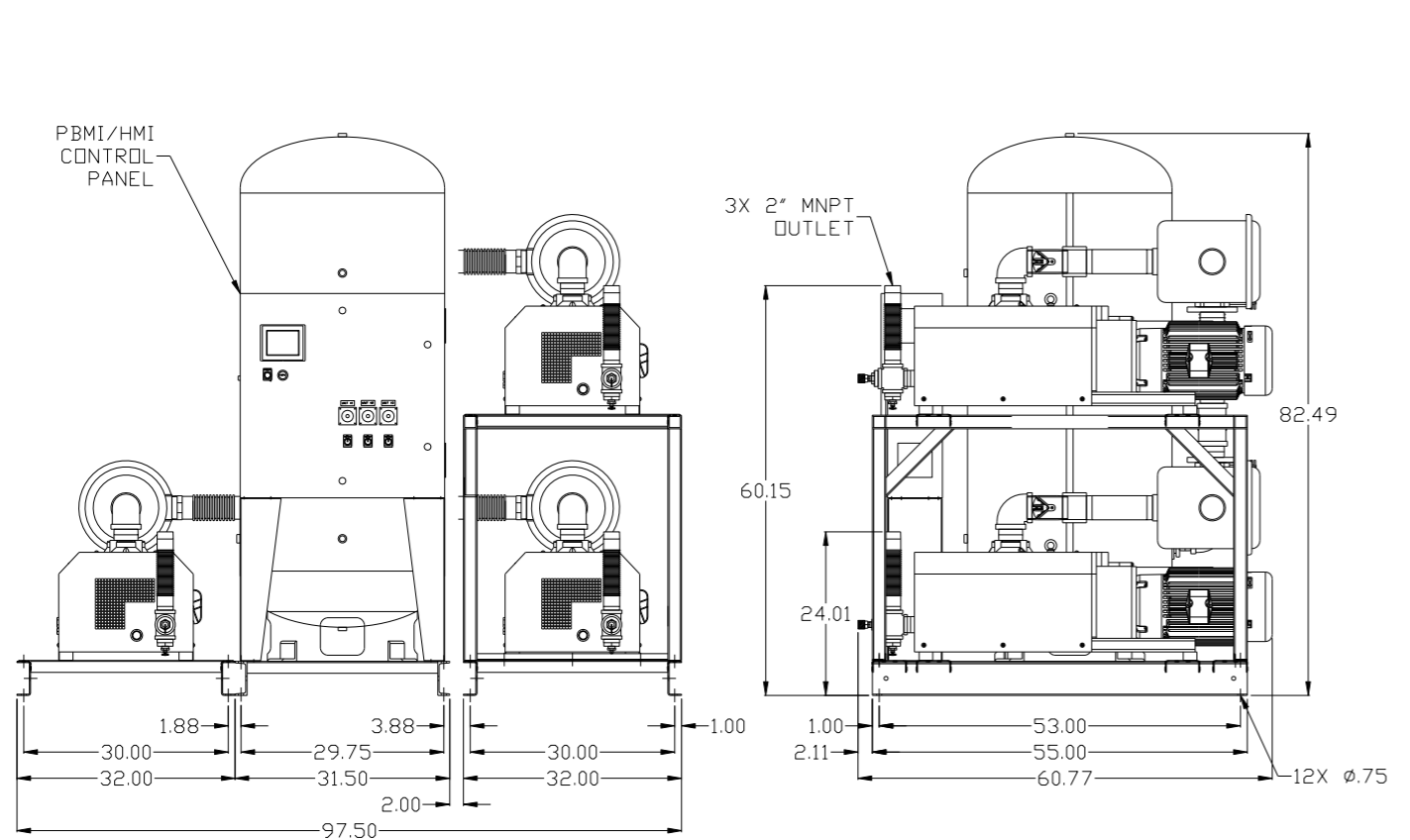
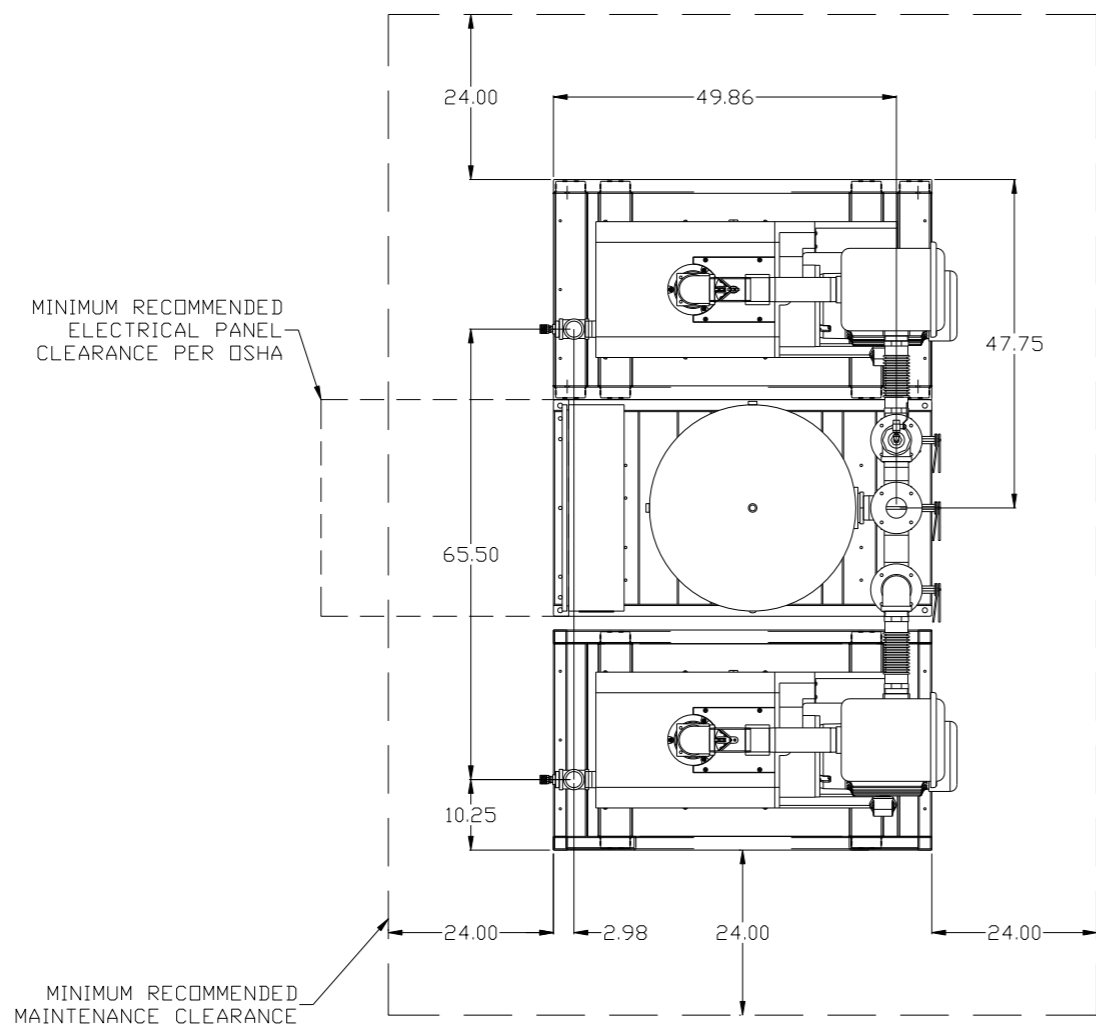
NOTE:
A 1/4 INCH VENT PLUG IS
LOCATED IN THE FILTER HOUSING.

LEGEND	
	TEMP. SWITCH
	VACUUM SWITCH
	AIR FILTER
	BALL VALVE
	BUTTERFLY VALVE
	CHECK VALVE
	FLEX LINE
	UNION

NOTES:
1) TSH - TEMPERATURE SWITCH HIGH
2) PER NFPA THE SYSTEM WILL REQUIRE A SOURCE VALVE (SUPPLIED BY OTHERS).

SYMBOL LEGEND ⊖ = MINUS DRAFT ⊕ = PLUS DRAFT		⊕ = ADDITIONAL CONTROL REQ'D HRC = BRINELL HARDNESS		Drawings to conform to the current revision of the following ANSI standards: Y14.3 Multi and sectional view dsgs. Y14.5M Dimensioning and tolerancing	
TOLERANCES NOT SPECIFIED .XX ± .XXX ± \angle DEG. ±		AUTOCAD REL2008 LT INCH		DO NOT SCALE DRAWING FOR DIMENSIONS Sheet 2 of 2 SCALE 1:14	
CONFIDENTIAL DISCLOSURE This drawing is the property of POWEREX, INC. or the SCOTT FETZER COMPANY and subject to return on demand. Its contents are confidential and must not be copied or submitted to outside parties for use or examination.					
DRAWN BY AEK		CHECKED BY GES		APPROVED BY ENGINEERING MFG/MKTG DMS RJR	
MATERIAL N/A		DATE 2/26/08		DATE 2/26/08 2/26/08 2/26/08	
PART NAME VAC PACKAGE TRIPLEX FLOW SCHEMATIC		DWG NO CVPT1005		SIZE D	

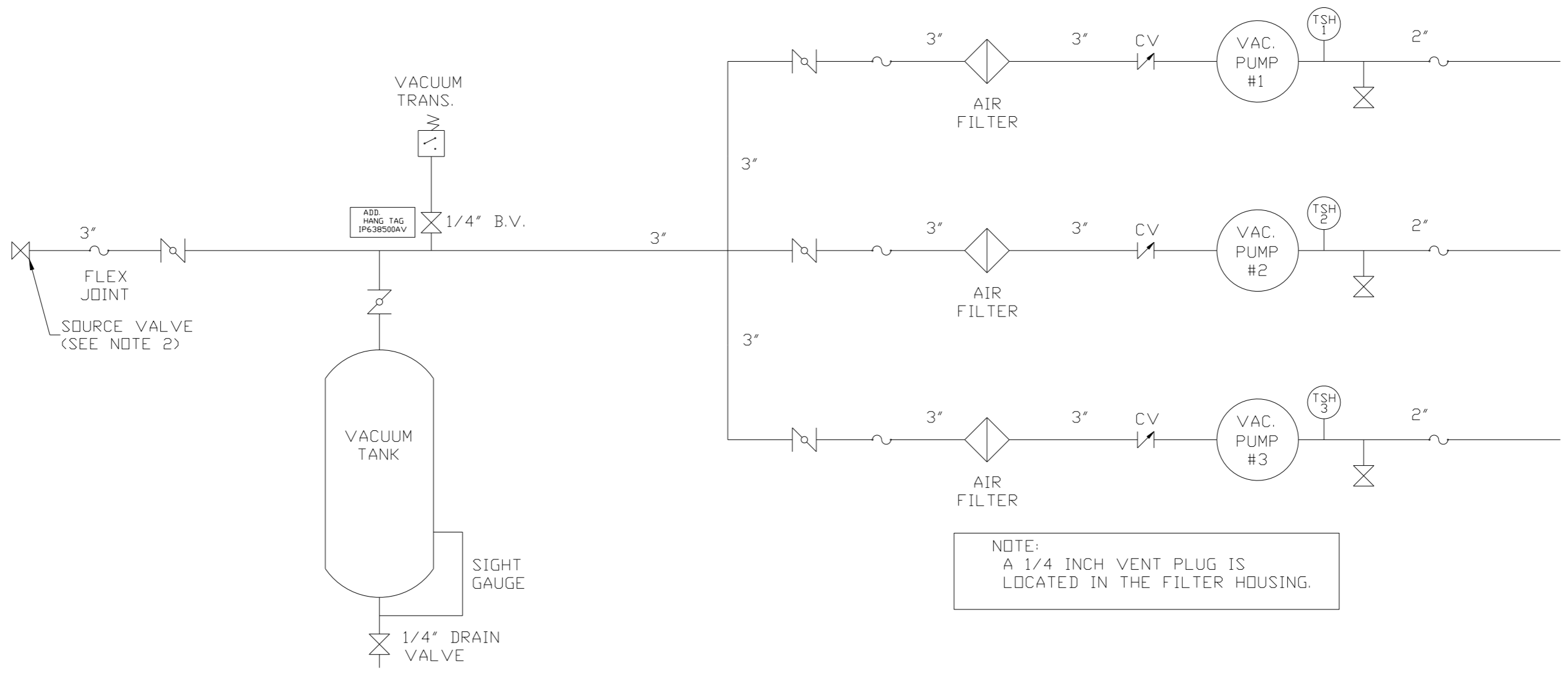
REV	ZONE	REVISION	DATE	ECN	NAME	CHKD
F-1	ALL	ADDED P&MI SHEETS	7/11/13	PXEC0030	AEK	GES
G-1	ALL	UPDATED PUMP TO CURRENT MOTOR	7/30/14	PXEC0067	AEK	GES



NOTE: SYSTEM DESIGNED IN COMPLIANCE WITH U.S. NFPA '99, LATEST EDITION.

SYMBOL LEGEND		= ADDITIONAL CONTROL REQ'D		Drawings to conform to the current revision of the following ANSI standards:	
\ominus	MINUS DRAFT	\oplus	PLUS DRAFT	Y14.3	Multi and sectional view dsgs.
\otimes	PLUS DRAFT	BRINELL	BRINELL HARDNESS	Y14.5M	Dimensioning and tolerancing
TOLERANCES NOT SPECIFIED		AUTOCAD REL2008 LT		DO NOT SCALE DRAWING FOR DIMENSIONS	
.XX	\pm	INCH		Sheet 1 of 2	SCALE 1:14
.XXX	\pm				
\angle (DEG)	\pm				
CONFIDENTIAL DISCLOSURE					
This drawing is the property of POWEREX, INC. of the SCOTT FETZER COMPANY and subject to return on demand. Its contents are confidential and must not be copied or submitted to outside parties for use or examination.					
DRAWN BY		CHECKED BY	ENGINEERING	MFG/MKTG	
AEK		GES	DMS	RJR	
7/11/13		7/11/13	7/11/13	7/11/13	
MATERIAL		N/A		POWEREX	
PART NAME		10HP CLAW VACUUM		150 PRODUCTION DRIVE, HARRISON, OHIO 45030	
200GAL. TRIPLEX		CVPT1005		Ph: 888-769-7979 Fax: (513) 367-3125	
DWG NO		CVPT1005		SIZE D	

REV	ZONE	REVISION	DATE	ECN	NAME	CHKD
F-1	ALL	ADDED P&MI SHEETS	7/11/13	PXEC0030	AEK	GES
G-1	ALL	UPDATED PUMP TO CURRENT MOTOR	7/30/14	PXEC0067	AEK	GES



NOTE:
A 1/4 INCH VENT PLUG IS
LOCATED IN THE FILTER HOUSING.

LEGEND	
	TEMP. SWITCH
	AIR FILTER
	BALL VALVE
	BUTTERFLY VALVE
	VACUUM SWITCH
	CHECK VALVE
	FLEX LINE
	UNION

NOTES:
1) TSH - TEMPERATURE SWITCH HIGH
2) PER NFPA THE SYSTEM WILL REQUIRE A SOURCE VALVE (SUPPLIED BY OTHERS).

SYMBOL LEGEND ⊖ = MINUS DRAFT ⊕ = PLUS DRAFT		⊕ = ADDITIONAL CONTROL REQ'D ⊕ = BRINELL HARDNESS		Drawings to conform to the current revision of the following ANSI standards: Y14.3 Multi and sectional view dgs. Y14.5M Dimensioning and tolerancing	
TOLERANCES NOT SPECIFIED .XX ± .XXX ± \angle DEG. ±		AUTOCAD REL2008 LT INCH		DO NOT SCALE DRAWING FOR DIMENSIONS Sheet 2 of 2 SCALE 1:14	
CONFIDENTIAL DISCLOSURE This drawing is the property of POWEREX, INC. of the SCOTT FETZER COMPANY and subject to return on demand. Its contents are confidential and must not be copied or submitted to outside parties for use or examination.					
DRAWN BY AEK		CHECKED BY GES		APPROVED BY ENGINEERING MFG/MKTG DMS RJR	
MATERIAL N/A		DATE 7/11/13		DATE 7/11/13	
PART NAME VAC PACKAGE TRIPLEX FLOW SCHEMATIC		DWG NO CVPT1005		SIZE D	