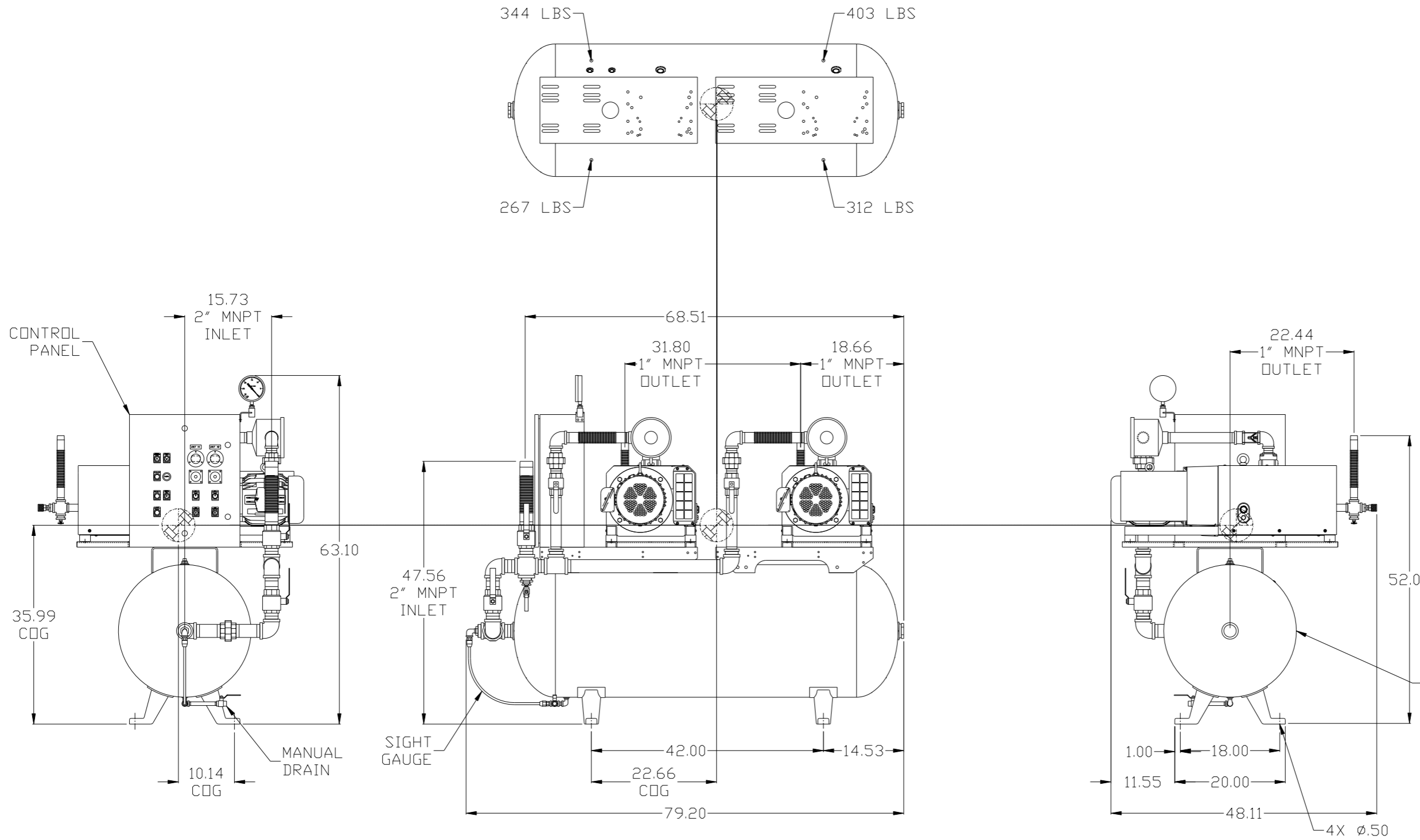


| REV | ZONE | REVISION | DATE | ECN | NAME | CHKD |
|-----|-------|--|----------|----------|------|------|
| B-1 | ALL | RELEASE TO PRODUCTION | 6/27/08 | 21906 | AEK | GES |
| C-1 | ALL | UPDATED BUILD & FLOW TO CURRENT STANDARDS | 10/8/08 | 21907 | AEK | GES |
| D-1 | 1 ALL | ADJUSTED INLET LOCATION | 1/9/09 | 22127 | AEK | DMS |
| D-2 | 1 ALL | ADJUSTED INLET LOCATION PER NEC | 6/25/09 | 22127 | AEK | GES |
| E-1 | 1 ALL | RELOCATED PANEL & INLET PLUMBING | 10/2/09 | 22303 | AEK | GES |
| F-1 | 1 ALL | REMOVED VACUUM SWITCHES FROM CONTROL PANEL | 11/10/09 | 22127 | AEK | GES |
| G-1 | 2 B22 | ADDED DRIP LEG | 3/16/10 | 22348 | AEK | DMS |
| G-2 | 1 ALL | ADDED COG INFORMATION | 12/9/10 | 22348 | AEK | GES |
| H-1 | ALL | ADDED P&ID SHEETS | 12/19/11 | 22610 | AEK | GES |
| J-1 | ALL | ADDED SIGHT GAUGE | 11/9/12 | 22723 | AEK | DMS |
| J-2 | ALL | ADDED SOURCE VALVE INFORMATION | 11/9/12 | 22723 | AEK | DMS |
| K-1 | ALL | MADE HIGH TEMP SHUTDOWN STANDARD ON BASIC CONTROLS | 7/1/14 | PXEC0048 | AEK | GES |
| L-1 | 1 ALL | UPDATED TO PUMP WITH NEMA RATED MOTOR | 6/24/16 | PXEC0149 | AEK | GES |



COG INFO:
TOTAL WT - 1326 LBS.
X(FRONT) - -10.14
Y(RIGHT) - 22.66
Z(HEIGHT) - 35.99

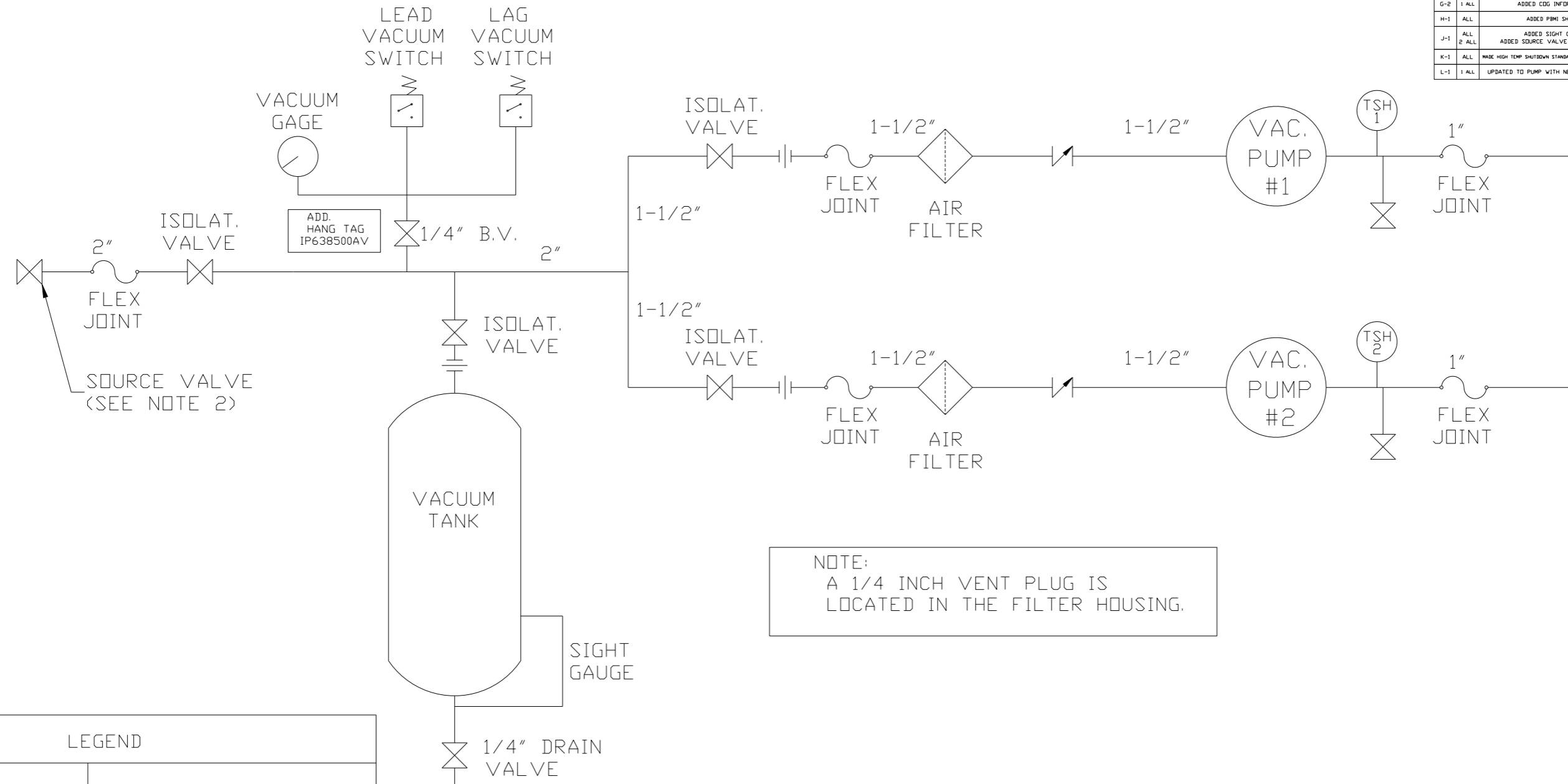
DENOTES CENTER OF GRAVITY

NOTE: A MINIMUM OF 24" CLEARANCE IS RECOMMENDED AROUND THE ENTIRE UNIT.

NOTE: SYSTEM DESIGNED IN COMPLIANCE WITH U.S. NFPA '99, LATEST EDITION.

| | | | | | |
|--|--|---|-------------------|--|-----------------|
| SYMBOL LEGEND ⊖ = MINUS DRAFT ⊕ = PLUS DRAFT TOLERANCES NOT SPECIFIED .XX ± .XXX ± << DEG >> ± | | ⊕ = ADDITIONAL CONTROL REQ'D ⊕ = BRINELL HARDNESS AUTOCAD REL2008 LT INCH DO NOT SCALE DRAWING FOR DIMENSIONS Sheet 1 of 2 SCALE 1:10 | | Drawings to conform to the current revision of the following ANSI standards: Y14.3 Multi and sectional view dgs. Y14.5M Dimensioning and tolerancing | |
| CONFIDENTIAL DISCLOSURE This drawing is the property of the CAMPBELL GROUP OF THE SCOTT FETZER COMPANY and subject to return on demand. Its contents are confidential and must not be copied or submitted to outside parties for use or examination. | | DRAWN BY AEK | CHECKED BY GES | APPROVED BY ENGINEERING DMS | MFG/MKTG RJR |
| MATERIAL N/A | | DATE 6/27/08 | DATE 6/27/08 | DATE 6/27/08 | DATE 6/27/08 |
| PART NAME 5HP CLAW VAC 120G DUPLEX | | 150 PRODUCTION DRIVE, HARRISON, OHIO 45030 Ph: 888-769-7979 FAX: (513) 367-3125 | | DVG NO CVTD0504B SIZE D | |

| REV | ZONE | REVISION | DATE | ECN | NAME | CHKD |
|-----|-------|--|----------|----------|------|------|
| B-1 | ALL | RELEASE TO PRODUCTION | 6/27/08 | 21906 | AEK | GES |
| C-1 | ALL | UPDATED BUILD & FLOW TO CURRENT STANDARDS | 10/8/08 | 21907 | AEK | GES |
| D-1 | 1 ALL | ADJUSTED INLET LOCATION | 1/9/09 | 22127 | AEK | DMS |
| D-2 | 1 ALL | ADJUSTED INLET LOCATION PER NEC | 6/25/09 | 22127 | AEK | GES |
| E-1 | 1 ALL | RELOCATED PANEL & INLET PLUMBING | 10/2/09 | 22303 | AEK | GES |
| F-1 | 1 ALL | REMOVED VACUUM SWITCHES FROM CONTROL PANEL | 11/10/09 | 22127 | AEK | GES |
| G-1 | 2 BRG | ADDED DRIP LEG | 3/16/10 | 22348 | AEK | DMS |
| G-2 | 1 ALL | ADDED CDG INFORMATION | 12/9/10 | 22348 | AEK | GES |
| H-1 | ALL | ADDED P&ID SHEETS | 12/19/11 | 22610 | AEK | GES |
| J-1 | ALL | ADDED SIGHT GAUGE | 11/9/12 | 22723 | AEK | DMS |
| J-2 | ALL | ADDED SOURCE VALVE INFORMATION | 11/9/12 | 22723 | AEK | GES |
| K-1 | ALL | MADE HIGH TEMP SHUTDOWN STANDARD ON BASIC CONTROLS | 7/1/14 | PXEC0048 | AEK | GES |
| L-1 | 1 ALL | UPDATED TO PUMP WITH NEMA RATED MOTOR | 6/24/16 | PXEC0149 | AEK | GES |



NOTE:
A 1/4 INCH VENT PLUG IS
LOCATED IN THE FILTER HOUSING.

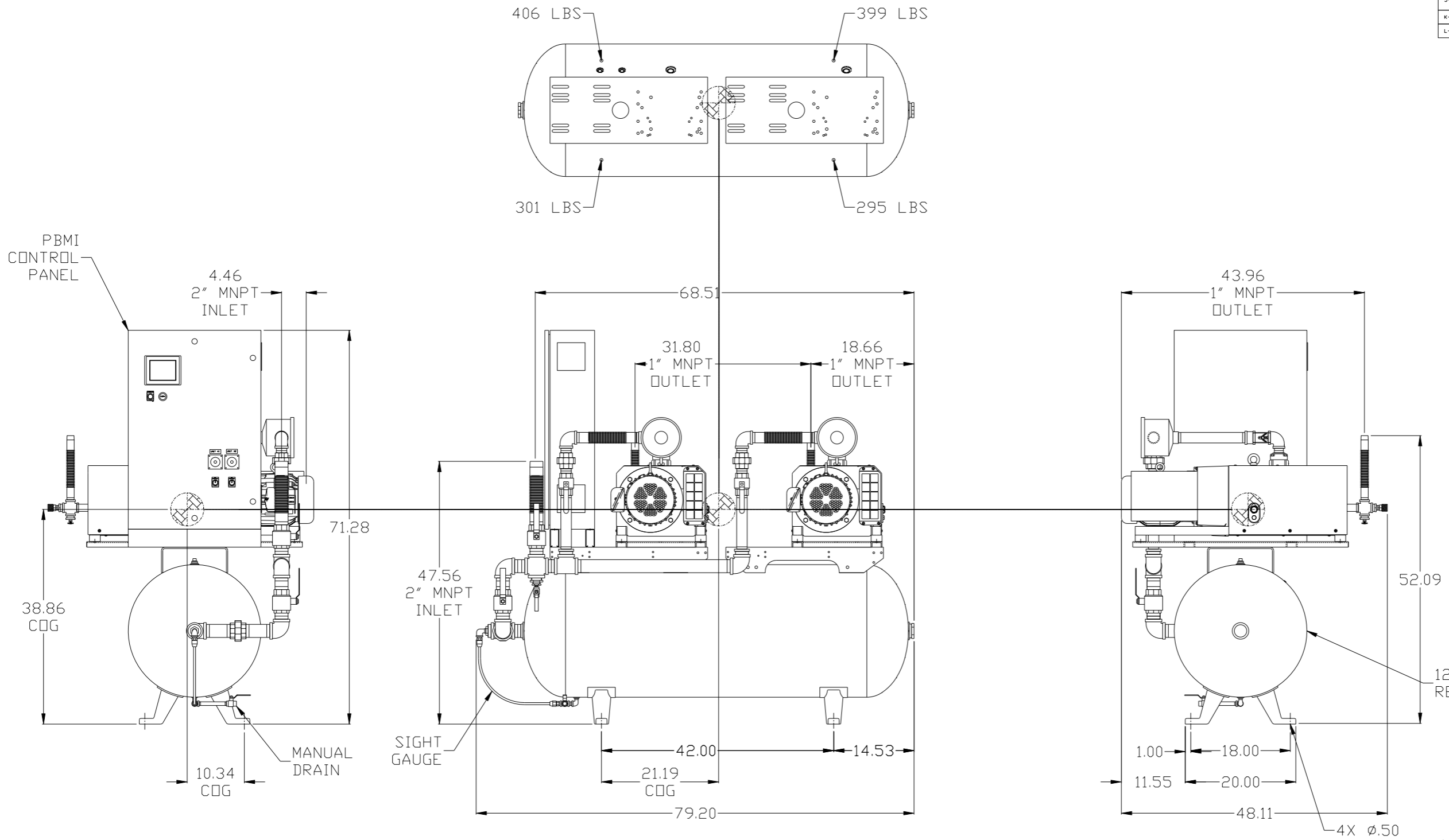
LEGEND

| | | | |
|--|--------------|--|---------------|
| | TEMP. SWITCH | | VACUUM SWITCH |
| | AIR FILTER | | CHECK VALVE |
| | BALL VALVE | | FLEX LINE |
| | | | UNION |

NOTES:
1) TSH - TEMPERATURE SWITCH HIGH
2) PER NFPA THE SYSTEM WILL REQUIRE A SOURCE VALVE (SUPPLIED BY OTHERS).

| | | | |
|---|--|--|--|
| SYMBOL LEGEND ⊖ = MINUS DRAFT ⊕ = PLUS DRAFT HRC = ADDITIONAL CONTROL REQ'D BRIN = BRINELL HARDNESS | | Drawings to conform to the current revision of the following ANSI standards: Y14.3 Multi and sectional view dgs. Y14.5M Dimensioning and tolerancing | |
| TOLERANCES NOT SPECIFIED .XX ± .XXX ± \angle (DEG) ± | | DO NOT SCALE DRAWING FOR DIMENSIONS SCALE 1:10 | |
| CONFIDENTIAL DISCLOSURE This drawing is the property of the CAMPBELL GROUP of the SCOTT FETZER COMPANY and subject to return on demand. Its contents are confidential and must not be copied or submitted to outside parties for use or examination. | | DRAWN BY: AEK CHECKED BY: GES ENGINEERING: DMS MFG/MKTG: RJR 6/27/08 6/27/08 6/27/08 6/27/08 | |
| MATERIAL: N/A | | 150 PRODUCTION DRIVE, HARRISON, OHIO 45030 Ph: 888-769-7979 FAX: (513) 367-3125 | |
| PART NAME: CLAW DUPLEX VACUUM FLOW SCHEMATIC | | DWG NO: CVTD0504B SIZE: D | |

| REV | ZONE | REVISION | DATE | ECN | NAME | CHKD |
|-----|------|--|----------|----------|------|------|
| H-1 | ALL | ADDED PBMI SHEETS | 12/19/11 | 22610 | AEK | GES |
| J-1 | ALL | ADDED SIGHT GAUGE | 11/5/12 | 22723 | AEK | DMS |
| K-1 | ALL | MADE HIGH TEMP SHUTDOWN STANDARD ON BASIC CONTROLS | 7/1/14 | PXEC0048 | AEK | GES |
| L-1 | ALL | UPDATED TO PUMP WITH NEMA RATED MOTOR | 6/24/16 | PXEC0149 | AEK | GES |

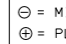
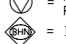
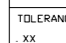
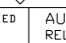


COG INFO:
TOTAL WT - 1401 LBS.
X(FRONT) - -10.34
Y(RIGHT) - 21.19
Z(HEIGHT) - 38.86

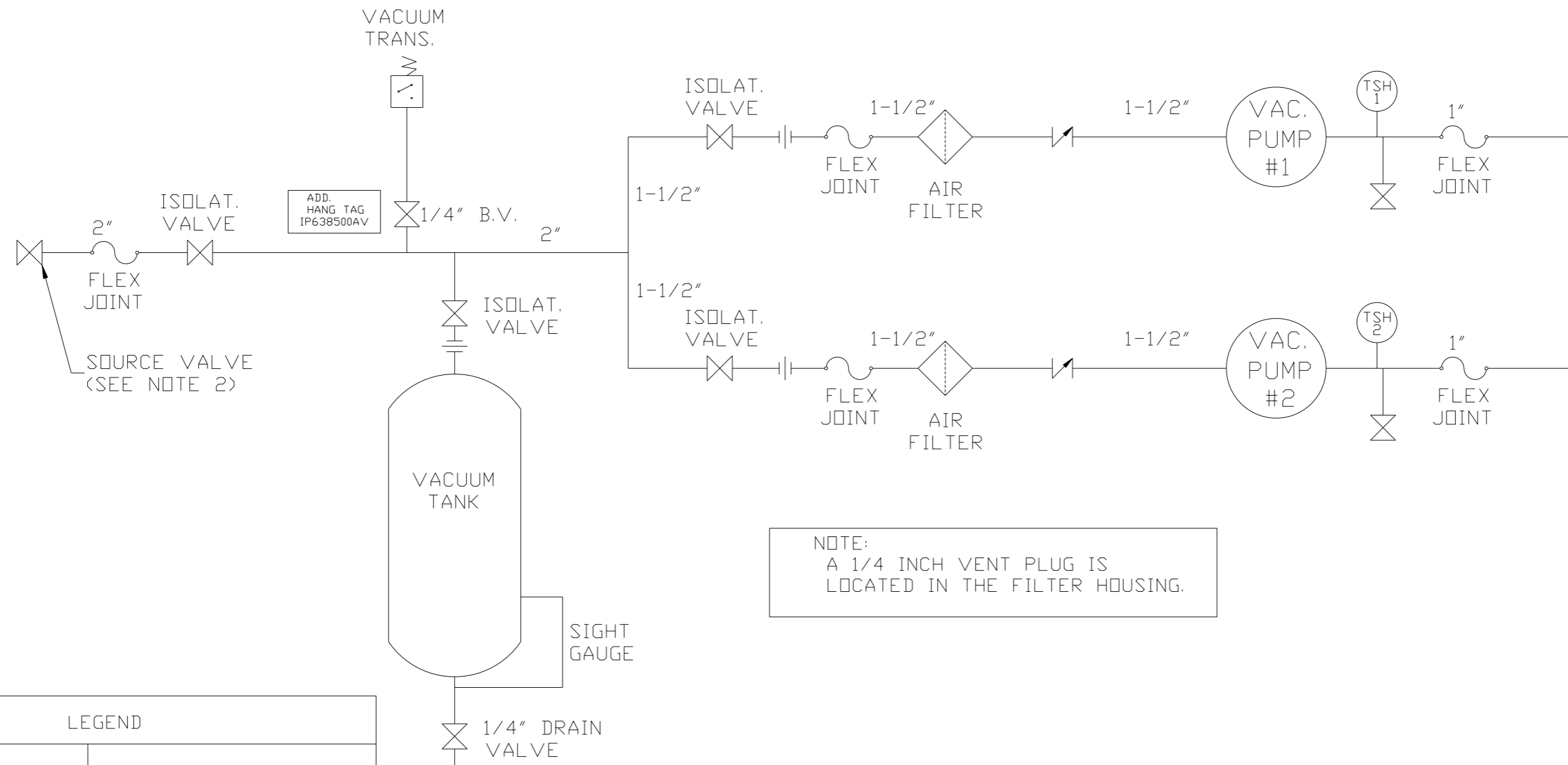
 DENOTES CENTER OF GRAVITY

NOTE: A MINIMUM OF 24" CLEARANCE IS RECOMMENDED AROUND THE ENTIRE UNIT.

NOTE: SYSTEM DESIGNED IN COMPLIANCE WITH U.S. NFPA '99, LATEST EDITION.

| SYMBOL LEGEND | | DRAWINGS TO CONFORM TO THE CURRENT REVISION OF THE FOLLOWING ANSI STANDARDS | |
|--|--------------------|---|----------------------------|
|  | = MINUS DRAFT |  | = ADDITIONAL CONTROL REQ'D |
|  | = PLUS DRAFT |  | = BRINELL HARDNESS |
| TOLERANCES NOT SPECIFIED | | DO NOT SCALE DRAWING FOR DIMENSIONS | |
| .XX ± | AUTOCAD REL2008 LT | Sheet 1 of 2 | |
| .XXX ± | INCH | SCALE 1:10 | |
| << DEG >> ± | | | |
| CONFIDENTIAL DISCLOSURE | | | |
| This drawing is the property of the CAMPBELL GROUP OF THE SCOTT FETZER COMPANY and subject to return on demand. Its contents are confidential and must not be copied or submitted to outside parties for use or examination. | | | |
| DRAWN BY | | CHECKED BY | APPROVED BY |
| AEK | | GES | DMS RJR |
| 12/19/11 | | 12/19/11 | 12/19/11 |
| MATERIAL N/A | | | |
| PART NAME | | | |
| 5HP CLAW VAC | | | |
| 120G DUPLEX | | | |
| DWG NO | | | SIZE |
| CVTD0504B | | | D |

| REV | ZONE | REVISION | DATE | ECN | NAME | CHKD |
|-----|------|--|----------|----------|------|------|
| H-1 | ALL | ADDED PBM1 SHEETS | 12/19/11 | 22610 | AEK | GES |
| J-1 | ALL | ADDED SIGHT GAUGE | 11/5/12 | 22723 | AEK | DMS |
| K-1 | ALL | MADE HIGH TEMP SHUTDOWN STANDARD ON BASIC CONTROLS | 7/1/14 | PXEC0048 | AEK | GES |
| L-1 | ALL | UPDATED TO PUMP WITH NEMA RATED MOTOR | 6/24/16 | PXEC0149 | AEK | GES |



NOTE:
A 1/4 INCH VENT PLUG IS
LOCATED IN THE FILTER HOUSING.

LEGEND

| | | | |
|--|--------------|--|---------------|
| | TEMP. SWITCH | | VACUUM SWITCH |
| | AIR FILTER | | CHECK VALVE |
| | BALL VALVE | | FLEX LINE |
| | | | UNION |

NOTES:
1) TSH - TEMPERATURE SWITCH HIGH
2) PER NFPA THE SYSTEM WILL REQUIRE A SOURCE VALVE (SUPPLIED BY OTHERS).

| | | | | | |
|---|-------------|-----------------------------------|-------------------------------------|---|------------|
| SYMBOL LEGEND | | | ADDITIONAL CONTROL REQ'D | Drawings to conform to the current revision of the following ANSI standards | |
| | MINUS DRAFT | | BRINELL HARDNESS | Y14.3 Multi and sectional view dgs. Y14.5M Dimensioning and tolerancing | |
| TOLERANCES NOT SPECIFIED | | AUTOCAD REL2008 LT | DO NOT SCALE DRAWING FOR DIMENSIONS | | |
| .XX ± | .XXX ± | <DEG> ± | INCH | Sheet 2 of 2 | SCALE 1:10 |
| CONFIDENTIAL DISCLOSURE This drawing is the property of the CAMPBELL GROUP OF THE SCOTT FETZER COMPANY and subject to return on demand. Its contents are confidential and must not be copied or submitted to outside parties for use or examination. | | | | | |
| DRAWN BY | CHECKED BY | ENGINEERING | MFG/MRKTG | APPROVED BY | |
| AEK | GES | DMS | RJR | | |
| 12/19/11 | 12/19/11 | 12/19/11 | 12/19/11 | | |
| MATERIAL | | N/A | | | |
| PART NAME | | CLAW DUPLEX VACUUM FLOW SCHEMATIC | | | |
| DWG NO | | CVTD0504B | | SIZE D | |