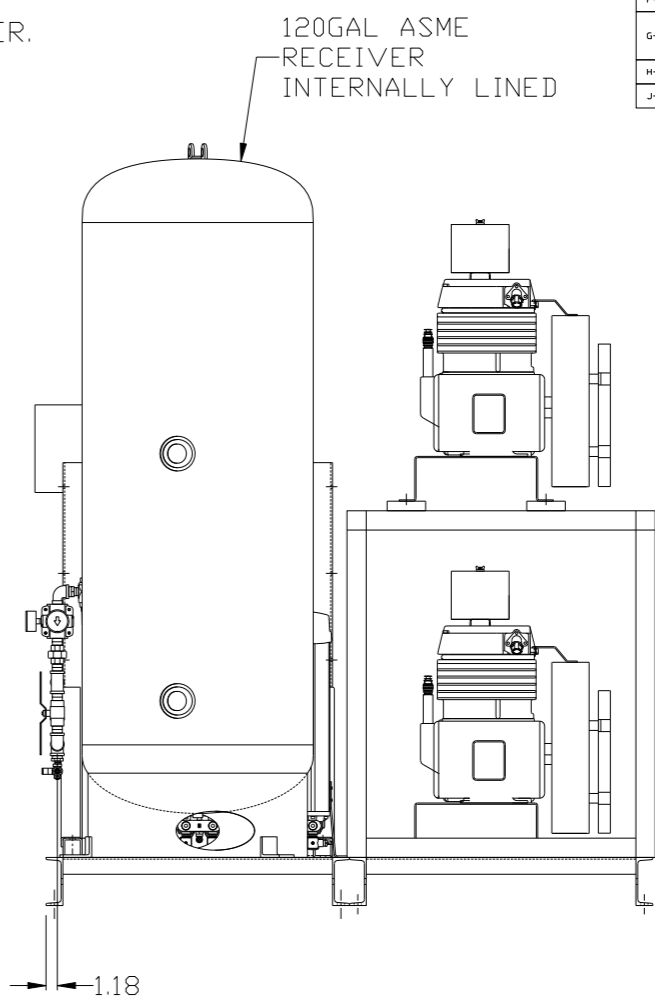
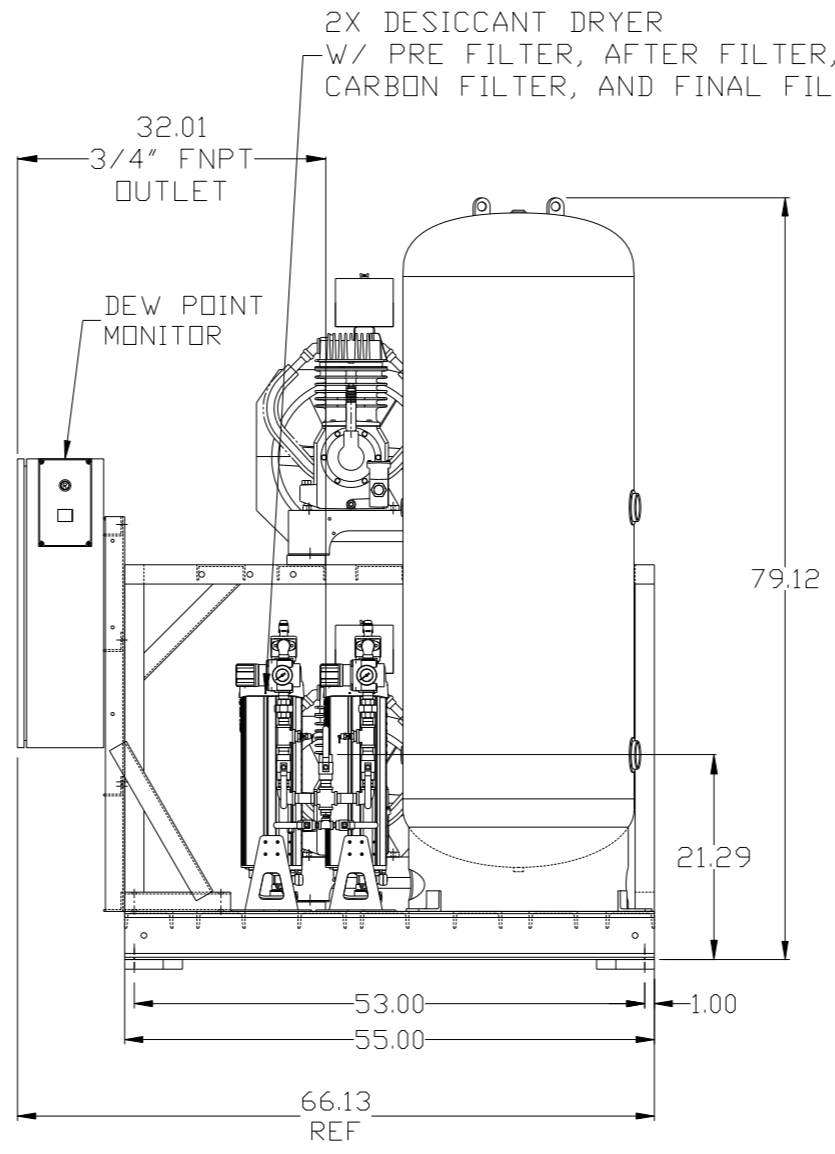
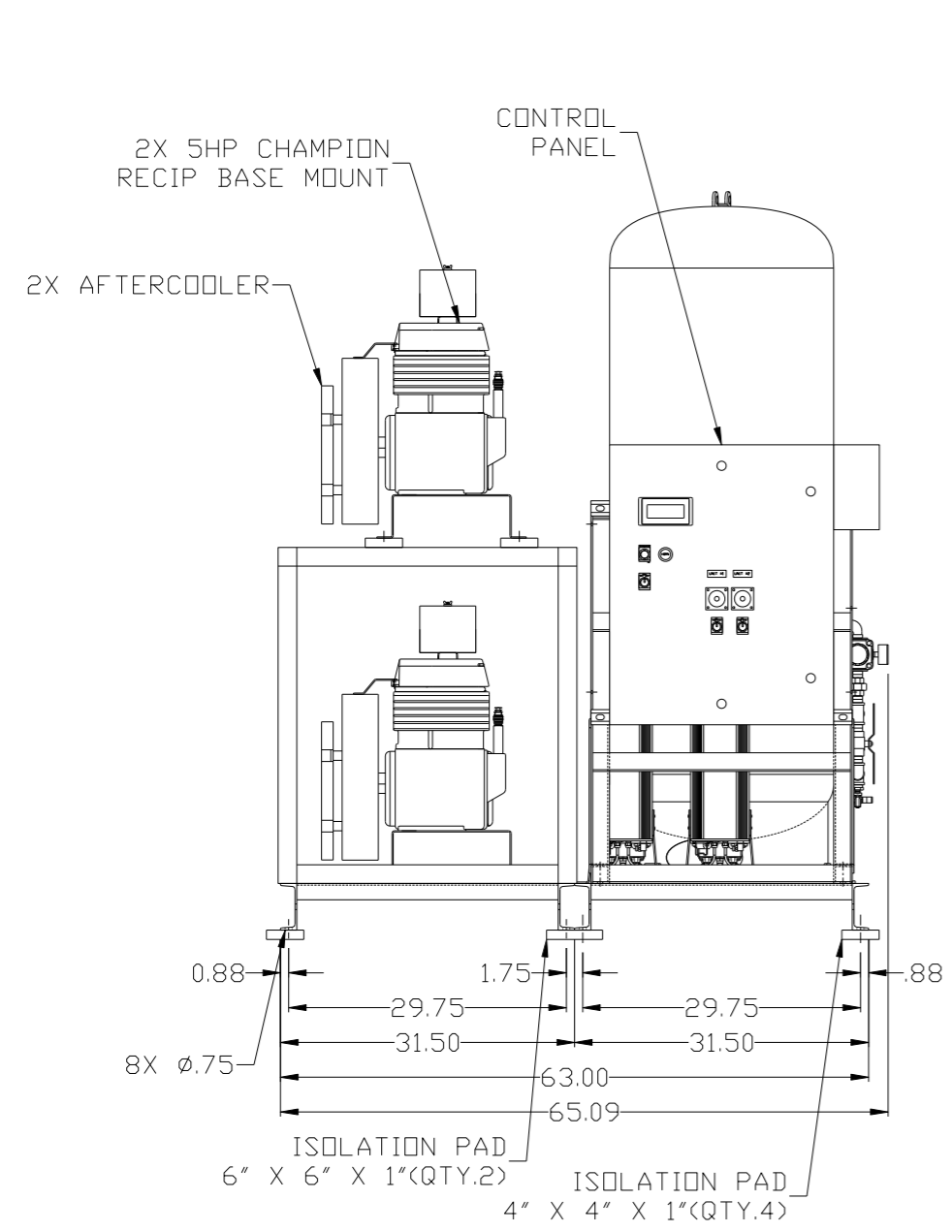


8 7 6 5 4 3 2 1

REV	ZONE	REVISION	DATE	ECN	NAME	CHKD
B-1	ALL	RELEASE TO PRODUCTION	8/13/10	22470	GES	DMS
B-2	2 D-5	CHANGED TO TRANSBUCKER	9/20/10	22470	GES	DMS
B-3	2 C-2	ADDED REGULATOR TO DP LEG	9/29/10	22470	GES	DMS
B-4	1 ALL	STAGGERED DRYERS PER PRODUCTION	10/26/10	22470	AEK	GES
B-5	2C-7	ADDED UNLOADER LINES TO PUMPS	11/4/10	22470	AEK	GES
B-6	B-2	REMOVED DP REGULATOR	11/23/10	22470	DMS	GES
B-7	1 ALL	REPLACED PUMP ISO SPRINGS W/ ISO PADS	11/29/10	22470	AEK	GES
B-8	2 A6	ADDED DRAIN DIL SEPARATOR NDT	12/3/10	22470	AEK	GES
B-9	2 D4	CORRECTED GAUGE CALLOUT	2/15/11	22470	AEK	GES
C-1	ALL	ADDED FINAL FILTER	3/7/11	22573	GES	DMS
D-1	1 ALL	MOVED CONTROL PANEL TO ATC SKID	4/21/11	22594	AEK	GES
E-1	2, C6	CHANGED CV POSITION, ADDED BLEED VALVE	5/12/11	22546	GES	DMS
F-1	2 C6	ADDED SEPARATOR E-DRAINS	2/15/13	PXEC0007	AEK	GES
G-1	2 ALL 2 ALL 2 D5	CORRECTED SEPARATOR E-DRAINS ADDED FLEX LINES ADDED SNUBBER VALVE	3/12/13	PXEC0030	AEK	GES
H-1	2 D5	REMOVED SNUBBER VALVE	5/2/17	PXEC0187	MJD	KMD
J-1	1 ALL	UPDATED TO NANO DRYERS	8/10/17	PXEC0174	AEK	GES



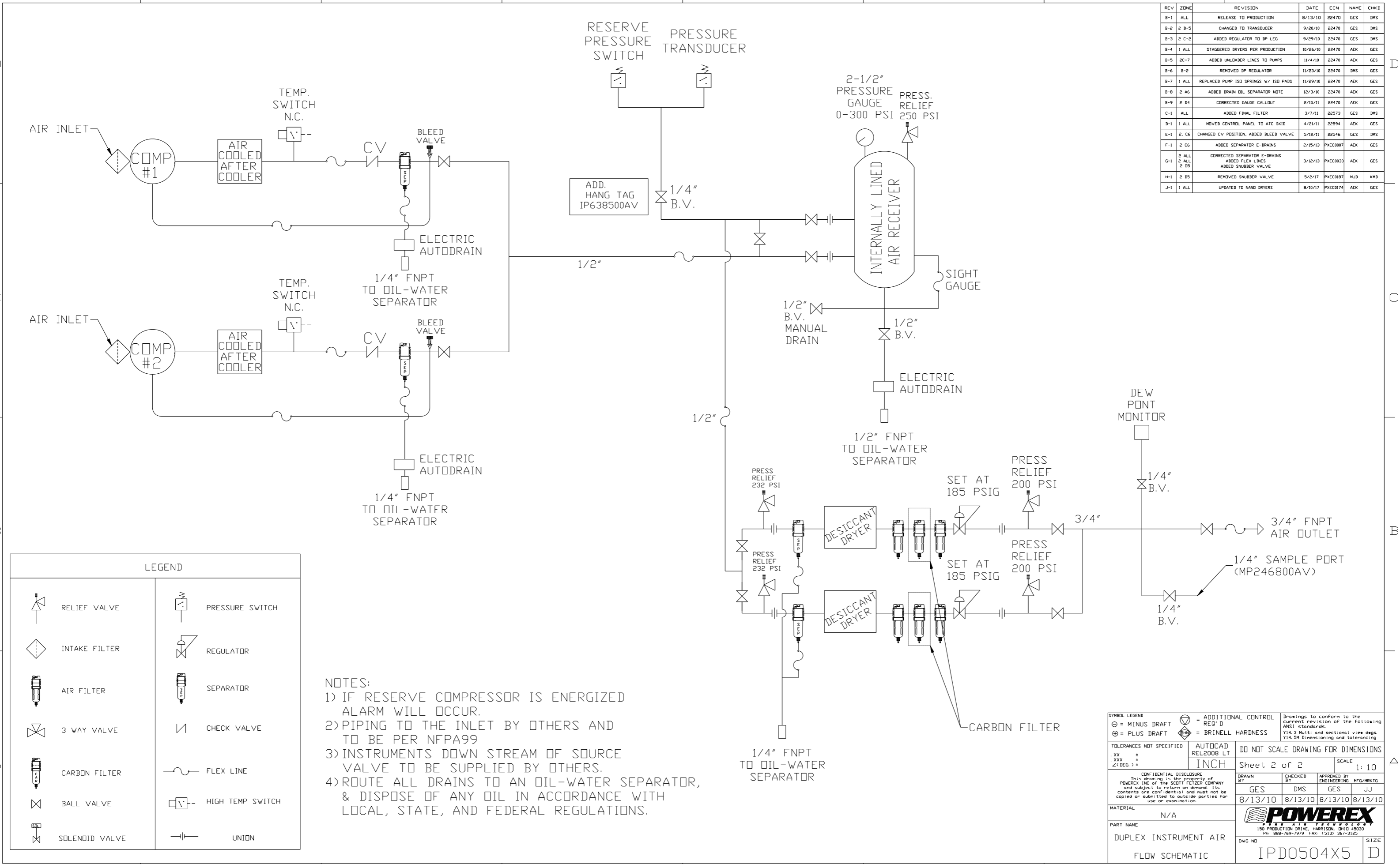
NOTE: A MINIMUM OF 24" CLEARANCE IS RECOMMENDED AROUND THE ENTIRE UNIT.

NOTE: SYSTEM DESIGNED IN COMPLIANCE WITH U.S. NFPA '99, LATEST EDITION.

SYMBOL LEGEND ⊖ = MINUS DRAFT ⊕ = PLUS DRAFT HRC = ADDITIONAL CONTROL REQ'D HB = BRINELL HARDNESS		Drawings to conform to the current revision of the following ANSI standards: Y14.3 Multi and sectional view dgs. Y14.5M Dimensioning and tolerancing	
TOLERANCES NOT SPECIFIED .XX ± .XXX ± \angle (DEG) ±		DO NOT SCALE DRAWING FOR DIMENSIONS Sheet 1 of 2 SCALE 1:10	
CONFIDENTIAL DISCLOSURE This drawing is the property of POWEREX, INC. of the SCOTT FELTZER COMPANY and subject to return on demand. Its contents are confidential and must not be copied or submitted to outside parties for use or examination.		AUTOCAD REL2008 LT INCH	
DRAWN BY: GES CHECKED BY: DMS APPROVED BY: ENGINEERING: GES, JJ DATE: 8/13/10		DATE: 8/13/10, 8/13/10, 8/13/10, 8/13/10	
MATERIAL: N/A		POWEREX 150 PRODUCTION DRIVE, HARRISON, OHIO 45030 Ph: 888-769-7979 FAX: (513) 367-3125	
PART NAME: SHP INSTRUMENT AIR DUPLEX 120GAL DESICCANT		DWG NO: IPD0504X5 SIZE: D	

8 7 6 5 4 3 2 1

REV	ZONE	REVISION	DATE	ECN	NAME	CHKD
B-1	ALL	RELEASE TO PRODUCTION	8/13/10	22470	GES	DMS
B-2	2 D-5	CHANGED TO TRANSDUCER	9/20/10	22470	GES	DMS
B-3	2 C-2	ADDED REGULATOR TO DP LEG	9/29/10	22470	GES	DMS
B-4	1 ALL	STAGGERED DRYERS PER PRODUCTION	10/26/10	22470	AEX	GES
B-5	2C-7	ADDED UNLOADER LINES TO PUMPS	11/4/10	22470	AEX	GES
B-6	B-2	REMOVED DP REGULATOR	11/23/10	22470	DMS	GES
B-7	1 ALL	REPLACED PUMP ISD SPRINGS W/ ISD PADS	11/29/10	22470	AEX	GES
B-8	2 A6	ADDED DRAIN OIL SEPARATOR NDT	12/3/10	22470	AEX	GES
B-9	2 D4	CORRECTED GAUGE CALLOUT	2/15/11	22470	AEX	GES
C-1	ALL	ADDED FINAL FILTER	3/7/11	22573	GES	DMS
D-1	1 ALL	MOVED CONTROL PANEL TO ATC SKID	4/21/11	22594	AEX	GES
E-1	2, C6	CHANGED CV POSITION, ADDED BLEED VALVE	5/12/11	22546	GES	DMS
F-1	2 C6	ADDED SEPARATOR E-DRAINS	2/15/13	PXEC0007	AEX	GES
G-1	2 ALL 2 ALL 2 D5	CORRECTED SEPARATOR E-DRAINS ADDED FLEX LINES ADDED SNUBBER VALVE	3/12/13	PXEC0030	AEX	GES
H-1	2 D5	REMOVED SNUBBER VALVE	5/2/17	PXEC0187	MJD	KMD
J-1	1 ALL	UPDATED TO MAND DRYERS	8/10/17	PXEC0174	AEX	GES



NOTES:
 1) IF RESERVE COMPRESSOR IS ENERGIZED ALARM WILL OCCUR.
 2) PIPING TO THE INLET BY OTHERS AND TO BE PER NFPA99
 3) INSTRUMENTS DOWN STREAM OF SOURCE VALVE TO BE SUPPLIED BY OTHERS.
 4) ROUTE ALL DRAINS TO AN OIL-WATER SEPARATOR, & DISPOSE OF ANY OIL IN ACCORDANCE WITH LOCAL, STATE, AND FEDERAL REGULATIONS.

LEGEND	
	RELIEF VALVE
	INTAKE FILTER
	AIR FILTER
	3 WAY VALVE
	CARBON FILTER
	BALL VALVE
	SOLENOID VALVE
	PRESSURE SWITCH
	REGULATOR
	SEPARATOR
	CHECK VALVE
	FLEX LINE
	HIGH TEMP SWITCH
	UNION

SYMBOL LEGEND			ADDITIONAL CONTROL REQ'D	Drawings to conform to the current revision of the following ANSI standards	
	MINUS DRAFT		BRINELL HARDNESS	Y14.3 Multi and sectional view dsgs. Y14.5M Dimensioning and tolerancing	
TOLERANCES NOT SPECIFIED		AUTOCAD REL2008 LT	DO NOT SCALE DRAWING FOR DIMENSIONS		
.XX ±		INCH	Sheet 2 of 2		SCALE 1:10
CONFIDENTIAL DISCLOSURE This drawing is the property of POWEREX, INC. of the SCOTT FETZER COMPANY and subject to return on demand. Its contents are confidential and must not be copied or submitted to outside parties for use or examination.					
DRAWN BY	CHECKED BY	APPROVED BY	MFG/MKTG		
GES	DMS	GES	JJ		
8/13/10	8/13/10	8/13/10	8/13/10		
MATERIAL		N/A			
PART NAME		DUPLX INSTRUMENT AIR			
DWG NO		IPD0504X5		SIZE D	
FLOW SCHEMATIC					