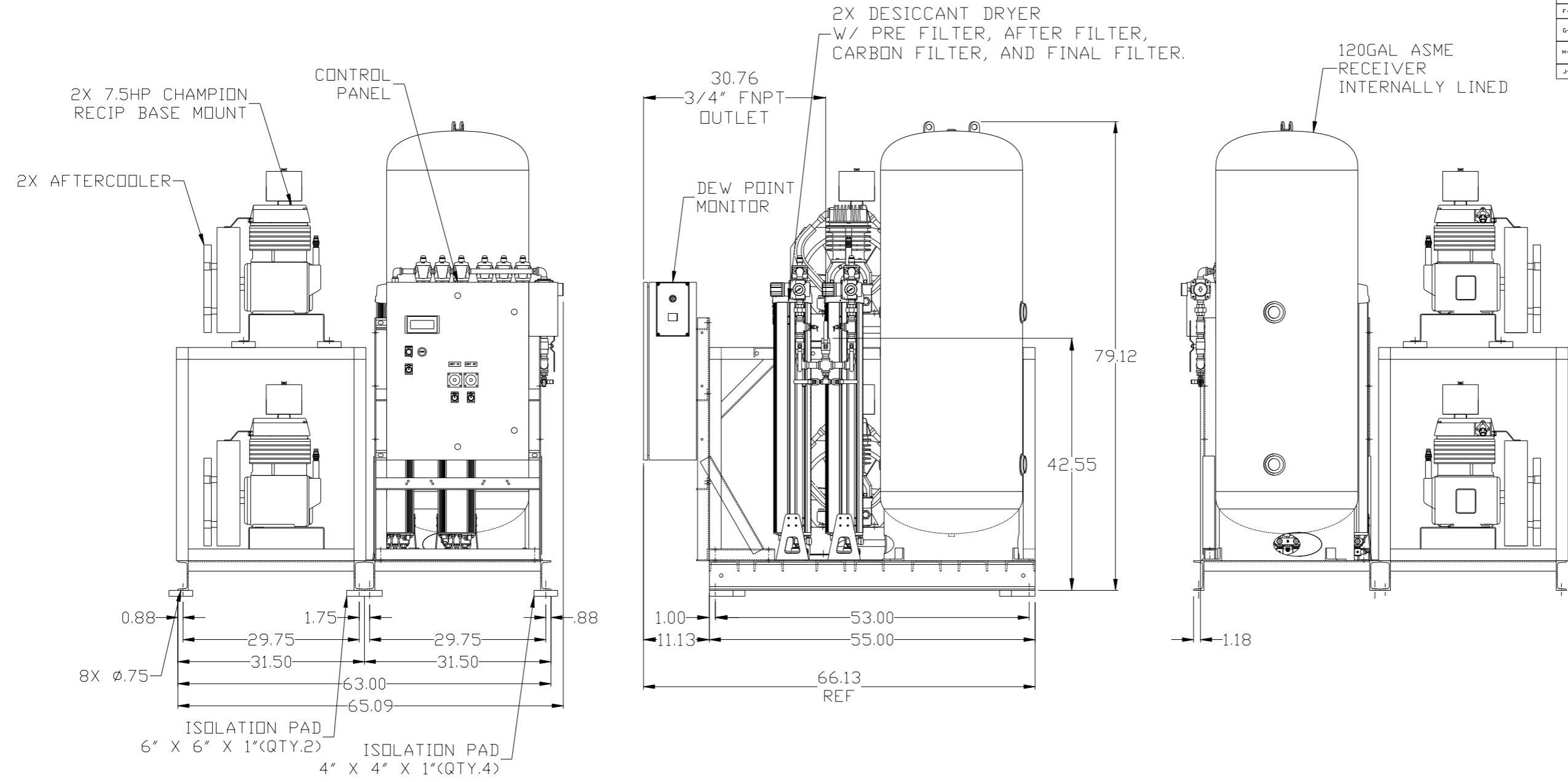


8 7 6 5 4 3 2 1

REV	ZONE	REVISION	DATE	ECN	NAME	CHKD
B-1	ALL	RELEASE TO PRODUCTION	9/22/10	22470	GES	DMS
B-2	ALL	ADDED REGULATOR TO DP LEG. CHGD DRYER VIEW	10/26/10	22470	GES	DMS
B-3	1 ALL	CORRECTED DRYER PLUMBING	10/26/10	22470	AEK	GES
B-4	2C-7	ADDED UNLADDER LINES TO PUMPS	11/4/10	22470	AEK	GES
B-5	2 C2 1 ALL	REMOVED REGULATOR FROM DP MONITOR LINE REPLACED PUMP ISD SPRINGS W/ ISD PAD	11/29/10	22470	AEK	GES
B-6	2 A6	ADDED DRAIN DIL SEPARATOR NOTE	12/3/10	22470	AEK	GES
B-7	2 D4	CORRECTED GAUGE CALLOUT	2/15/11	22470	AEK	GES
C-1	ALL	ADDED FINAL FILTER	3/7/11	22573	AEK	DMS
D-1	1 ALL	MOVED CONTROL PANEL TO ATC SKID	4/21/11	22594	AEK	GES
E-1	2, C6	CHANGED CV POSITION, ADDED BLEED VALVE	5/12/11	22546	GES	DMS
F-1	2, ALL	ADDED DRAIN SOLENOIDS, FLEX CONNECTIONS	9/25/12	22723	GES	DMS
G-1	2 ALL 2 D5	UPDATED SEPARATOR E-DRAINS ADDED SNUBBER VALVE	3/12/13	PXEC0030	AEK	GES
H-1	C5	REMOVED SNUBBER VALVE	3/12/13	PXEC0133	MAH	KD
J-1	1 ALL	UPDATED TO MAND DRYERS	8/10/17	PXEC0174	AEK	GES



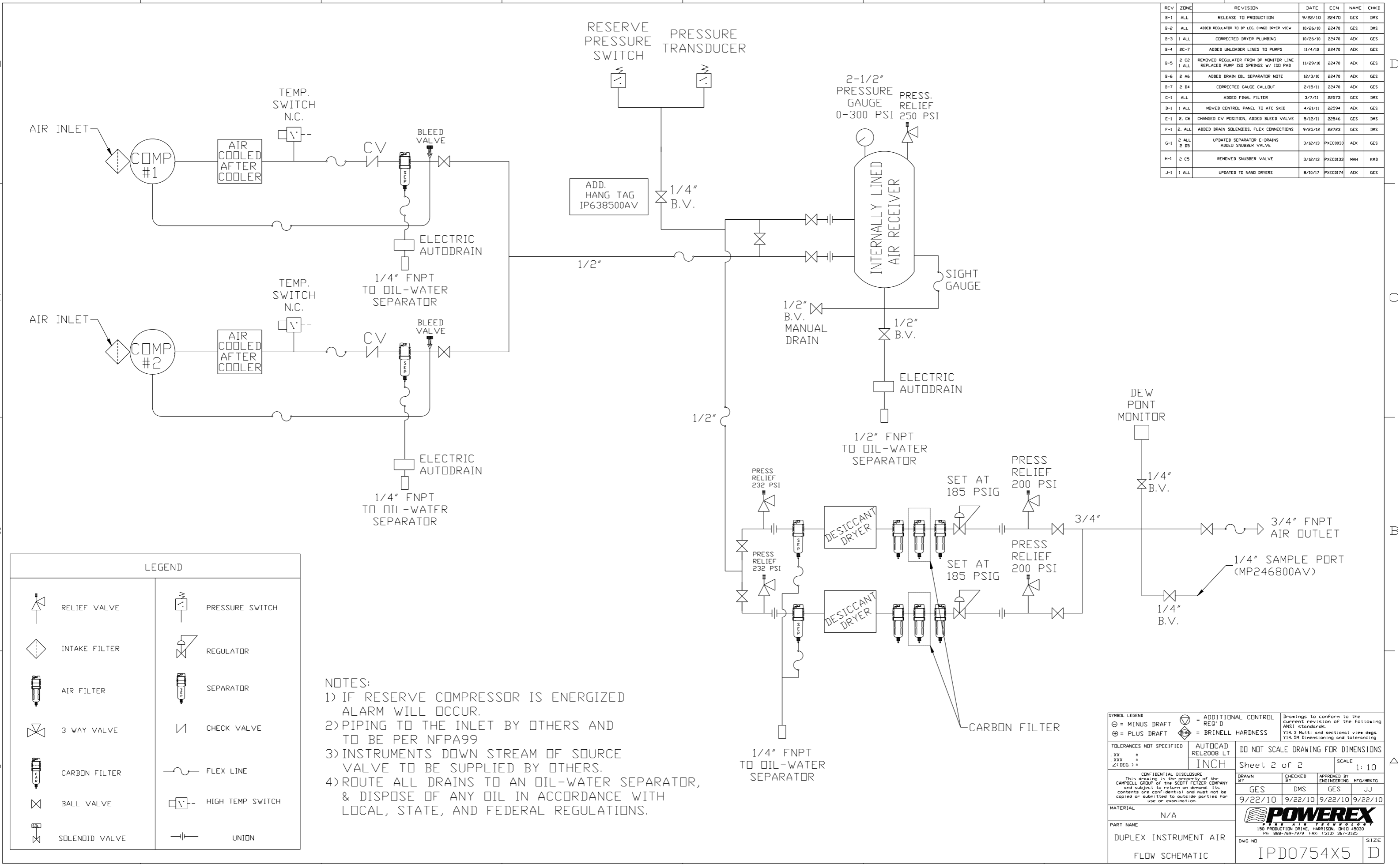
NOTE: A MINIMUM OF 24" CLEARANCE IS RECOMMENDED AROUND THE ENTIRE UNIT.

NOTE: SYSTEM DESIGNED IN COMPLIANCE WITH U.S. NFPA '99, LATEST EDITION.

<b>SYMBOL LEGEND</b> ⊖ = MINUS DRAFT    ⊕ = PLUS DRAFT ⊕ = ADDITIONAL CONTROL REQ'D HRC = BRINELL HARDNESS		Drawings to conform to the current revision of the following ANSI standards: Y14.3 Multi and sectional view dgs. Y14.5M Dimensioning and tolerancing	
TOLERANCES NOT SPECIFIED .XX ± .XXX ± < DEG > ±		<b>DO NOT SCALE DRAWING FOR DIMENSIONS</b> Sheet 1 of 2    SCALE 1:10	
AUTOCAD REL2008 LT INCH		CONFIDENTIAL DISCLOSURE This drawing is the property of the CAMPBELL GROUP of the SCOTT FETZER COMPANY and subject to return on demand. Its contents are confidential and must not be copied or submitted to outside parties for use or examination.	
DRAWN BY: GES CHECKED BY: DMS APPROVED BY: ENGINEERING: GES, JJ 9/22/10    9/22/10    9/22/10    9/22/10		<b>POWEREX</b> 150 PRODUCTION DRIVE, HARRISON, OHIO 45030 Ph 888-769-7979 FAX (513) 367-3125	
MATERIAL: N/A PART NAME: 7.5HP INSTRUMENT AIR DUPLEX 120GAL DESICCANT		DWG NO: IPD0754X5 SIZE: D	

8 7 6 5 4 3 2 1

REV	ZONE	REVISION	DATE	ECN	NAME	CHKD
B-1	ALL	RELEASE TO PRODUCTION	9/22/10	22470	GES	DMS
B-2	ALL	ADDED REGULATOR TO DP LEG. CHNG DRYER VIEW	10/26/10	22470	GES	DMS
B-3	1 ALL	CORRECTED DRYER PLUMBING	10/26/10	22470	AEK	GES
B-4	2C-7	ADDED UNLADDER LINES TO PUMPS	11/4/10	22470	AEK	GES
B-5	2 C2 1 ALL	REMOVED REGULATOR FROM DP MONITOR LINE REPLACED PUMP ISD SPRINGS W/ ISD PAD	11/29/10	22470	AEK	GES
B-6	2 A6	ADDED DRAIN OIL SEPARATOR NOTE	12/3/10	22470	AEK	GES
B-7	2 D4	CORRECTED GAUGE CALLOUT	2/15/11	22470	AEK	GES
C-1	ALL	ADDED FINAL FILTER	3/7/11	22573	GES	DMS
D-1	1 ALL	MOVED CONTROL PANEL TO ATC SKID	4/21/11	22594	AEK	GES
E-1	2, C6	CHANGED CV POSITION, ADDED BLEED VALVE	5/12/11	22546	GES	DMS
F-1	2, ALL	ADDED DRAIN SOLENOIDS, FLEX CONNECTIONS	9/25/12	22723	GES	DMS
G-1	2 ALL 2 D5	UPDATED SEPARATOR E-DRAINS ADDED SNUBBER VALVE	3/12/13	PXEC0030	AEK	GES
H-1	2 C5	REMOVED SNUBBER VALVE	3/12/13	PXEC0133	MAH	KMD
J-1	1 ALL	UPDATED TO HAND DRYERS	8/10/17	PXEC0174	AEK	GES



LEGEND	
	RELIEF VALVE
	INTAKE FILTER
	AIR FILTER
	3 WAY VALVE
	CARBON FILTER
	BALL VALVE
	SOLENOID VALVE
	PRESSURE SWITCH
	REGULATOR
	SEPARATOR
	CHECK VALVE
	FLEX LINE
	HIGH TEMP SWITCH
	UNION

NOTES:  
 1) IF RESERVE COMPRESSOR IS ENERGIZED ALARM WILL OCCUR.  
 2) PIPING TO THE INLET BY OTHERS AND TO BE PER NFPA99  
 3) INSTRUMENTS DOWN STREAM OF SOURCE VALVE TO BE SUPPLIED BY OTHERS.  
 4) ROUTE ALL DRAINS TO AN OIL-WATER SEPARATOR, & DISPOSE OF ANY OIL IN ACCORDANCE WITH LOCAL, STATE, AND FEDERAL REGULATIONS.

SYMBOL LEGEND			ADDITIONAL CONTROL REQ'D	Drawings to conform to the current revision of the following ANSI standards
	MINUS DRAFT		BRINELL HARDNESS	Y14.3 Multi and sectional view dsgs. Y14.5M Dimensioning and tolerancing
TOLERANCES NOT SPECIFIED		AUTOCAD REL2008 LT		DO NOT SCALE DRAWING FOR DIMENSIONS
.XX ±	.XXX ±	INCH		Sheet 2 of 2
CONFIDENTIAL DISCLOSURE		This drawing is the property of the CAMPBELL GROUP OF THE SCOTT FETZER COMPANY and subject to return on demand. Its contents are confidential and must not be copied or submitted to outside parties for use or examination.		
DRAWN BY	CHECKED BY	APPROVED BY		SCALE
GES	DMS	GES JJ		1:10
MATERIAL		N/A		
PART NAME		DUPLX INSTRUMENT AIR FLOW SCHEMATIC		
DWG NO		IPD0754X5		SIZE D