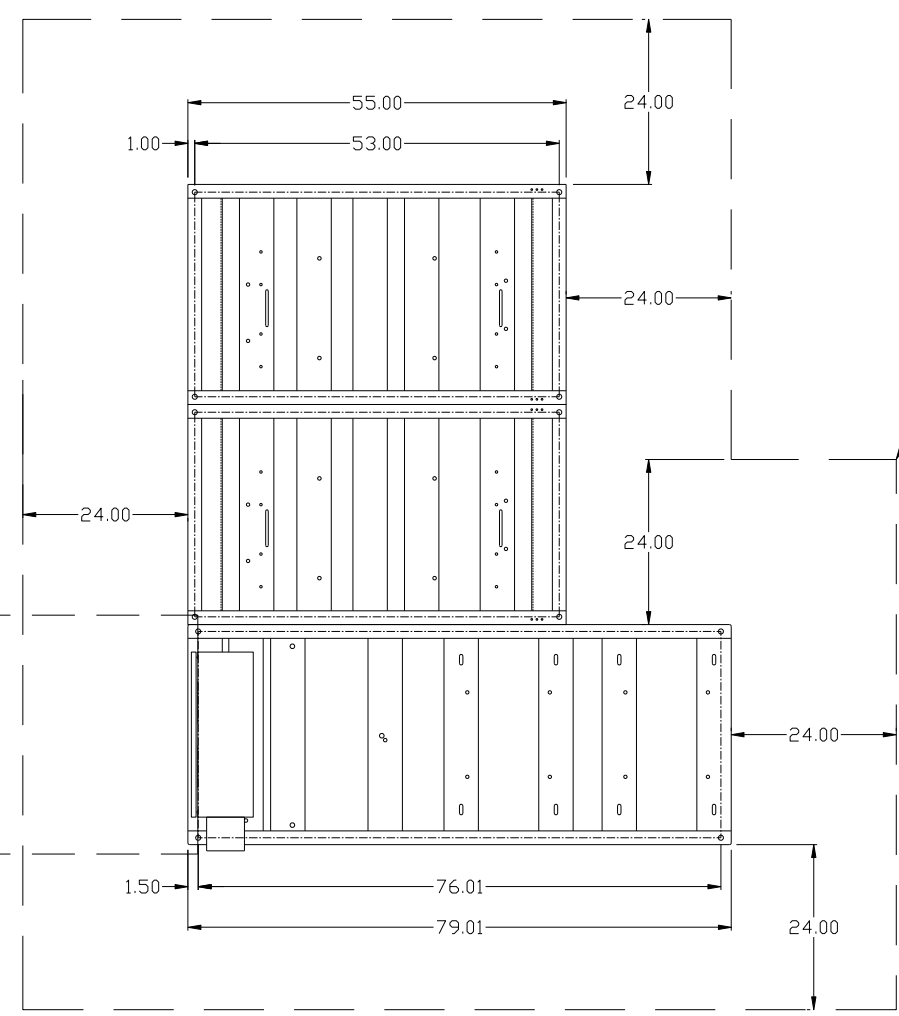
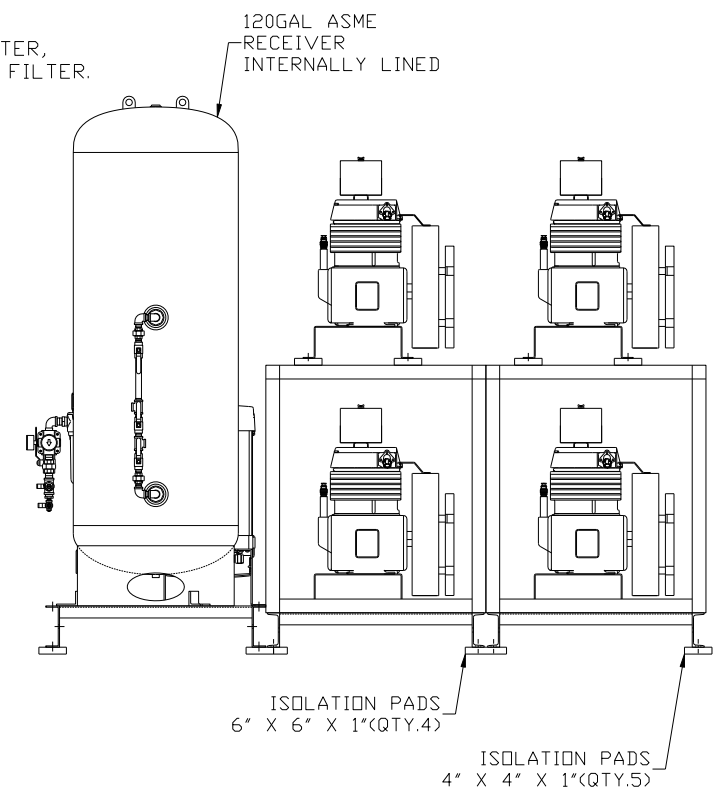
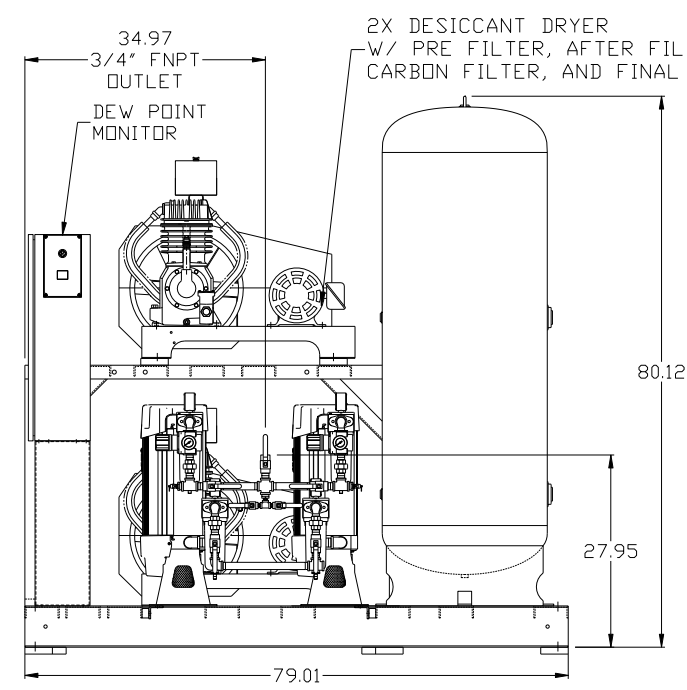
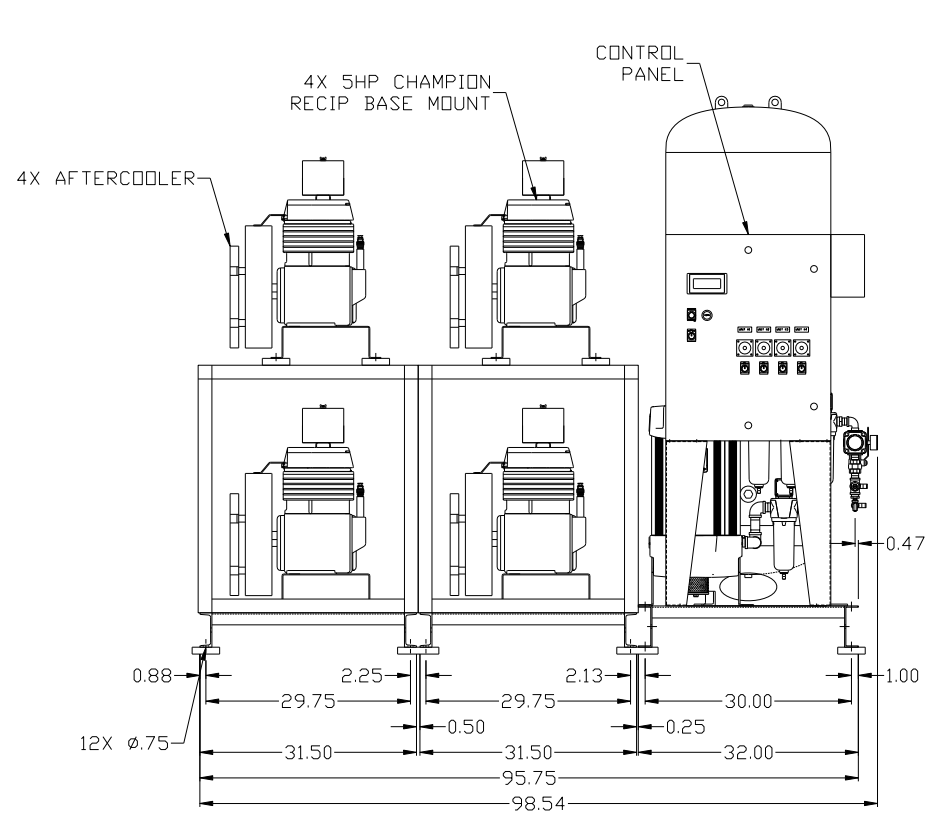


REV	ZONE	REVISION	DATE	ECN	NAME	CHKD
B-1	ALL	RELEASE TO PRODUCTION	10/27/10	22470	AEK	GES
B-2	2C-7	ADDED UNLADDER LINES TO PUMPS	11/4/10	22470	AEK	GES
B-3	2 C2 1 ALL	REMOVED REGULATOR FROM DP MONITOR LINE REPLACED PUMP ISO SPRINGS W/ ISO PAD	11/29/10	22470	AEK	GES
B-4	2 A6	ADDED DRAIN DIL SEPARATOR NOTE	12/3/10	22470	AEK	GES
B-5	2 D3	CORRECTED GAUGE CALLOUT	2/15/11	22470	AEK	GES
C-1	ALL	ADDED FINAL FILTER	3/11/11	22573	AEK	GES
D-1	1 ALL	MOVED CONTROL PANEL TO ATC SKID	4/21/11	22594	AEK	GES
E-1	2, C6	CHANGED CV POSITION, ADDED BLEED VALVE	5/12/11	22546	GES	DMS
F-1	2 ALL 2 ALL 2 D4	ADDED SEPARATOR E-DRAINS ADDED FLEX LINES ADDED SNUBBER VALVE	3/12/13	PXEC0030	AEK	GES
G-1	2 D4	REMOVED SNUBBER VALVE	5/2/17	PXEC0187	MJD	KMD
H-1	1 ALL	UPDATED TO NANO DRYERS	9/21/17	PXEC0174	AEK	KMD



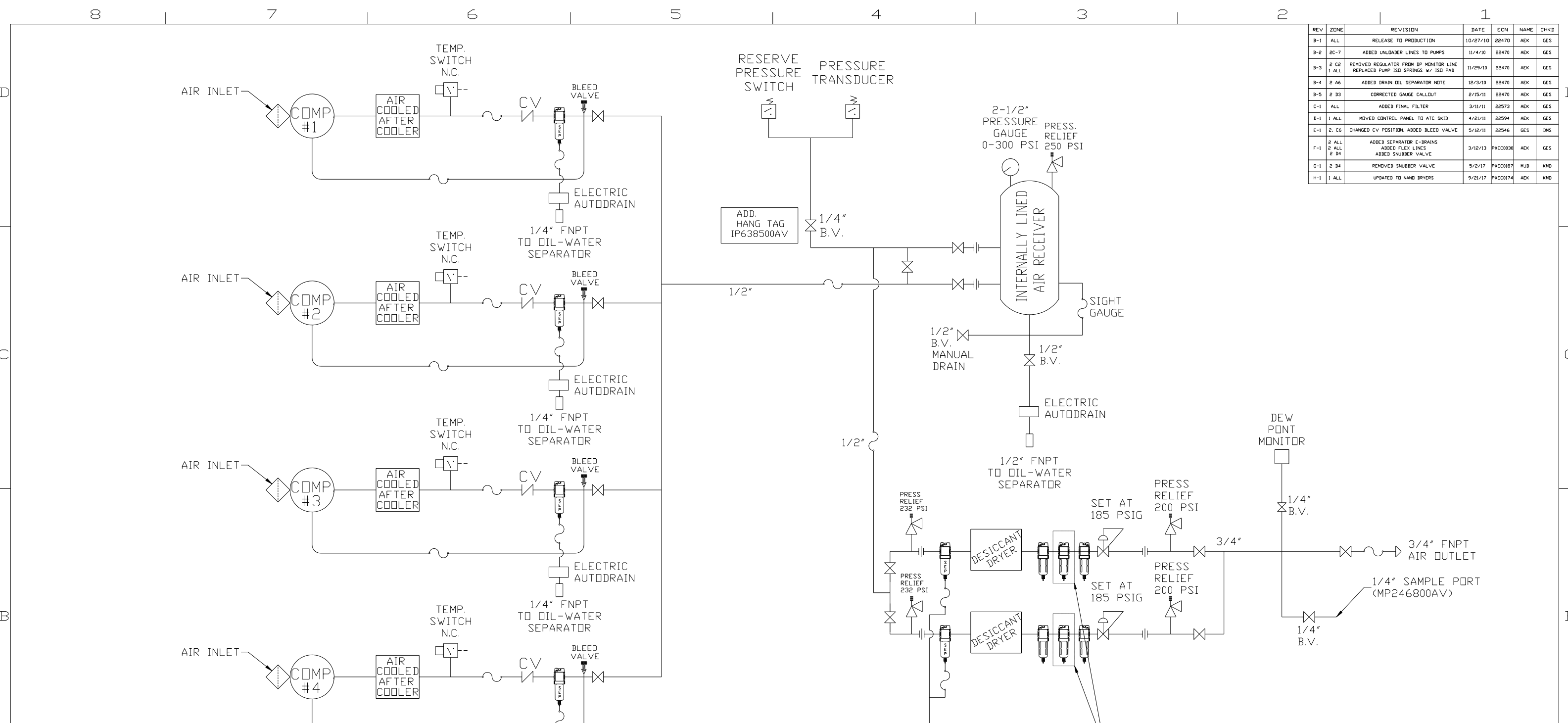
MINIMUM RECOMMENDED ELECTRICAL PANEL CLEARANCE PER OSHA/NEC REQUIREMENTS



NOTE: SYSTEM DESIGNED IN COMPLIANCE WITH U.S. NFPA '99, LATEST EDITION.

SYMBOL LEGEND		⊖ = MINUS DRAFT	⊕ = PLUS DRAFT	⊕ = ADDITIONAL CONTROL REQ'D	⊕ = BRINELL HARDNESS	Drawings to conform to the current revision of the following ANSI standards: Y14.3 Multi and sectional view dsgs. Y14.5M Dimensioning and tolerancing
TOLERANCES NOT SPECIFIED	AUTOCAD REL2008 LT	DO NOT SCALE DRAWING FOR DIMENSIONS		Sheet 1 of 2		
.XX ±	INCH	SCALE		1:14		
.XXX ±						
<DEG> ±						
CONFIDENTIAL DISCLOSURE This drawing is the property of POWEREX, INC. of the SCOTT FEITZER COMPANY and subject to return on demand. Its contents are confidential and must not be copied or submitted to outside parties for use or examination.						
DRAWN BY		CHECKED BY	APPROVED BY		MFG/MKTG	
AEK		GES	DMS		RJR	
10/27/10		10/27/10	10/27/10		10/27/10	
MATERIAL						
N/A						
PART NAME						
SHP INSTRUMENT AIR QUADPLEX						
120GAL DESICCANT						
DWG NO					SIZE	
IPQ0504X5					D	

REV	ZONE	REVISION	DATE	ECN	NAME	CHKD
B-1	ALL	RELEASE TO PRODUCTION	10/27/10	22470	AEK	GES
B-2	2C-7	ADDED UNLADDER LINES TO PUMPS	11/4/10	22470	AEK	GES
B-3	2 C2 1 ALL	REMOVED REGULATOR FROM DP MONITOR LINE REPLACED PUMP ISO SPRINGS w/ ISO PAD	11/29/10	22470	AEK	GES
B-4	2 A6	ADDED DRAIN OIL SEPARATOR NDT	12/3/10	22470	AEK	GES
B-5	2 D3	CORRECTED GAUGE CALLOUT	2/15/11	22470	AEK	GES
C-1	ALL	ADDED FINAL FILTER	3/11/11	22573	AEK	GES
D-1	1 ALL	MOVED CONTROL PANEL TO ATC SKID	4/21/11	22594	AEK	GES
E-1	2, C6	CHANGED CV POSITION, ADDED BLEED VALVE	5/12/11	22546	GES	DMS
F-1	2 ALL 2 ALL 2 D4	ADDED SEPARATOR E-DRAINS ADDED FLEX LINES ADDED SNUBBER VALVE	3/12/13	PXEC0030	AEK	GES
G-1	2 D4	REMOVED SNUBBER VALVE	5/2/17	PXEC0087	MJD	KMD
H-1	1 ALL	UPDATED TO NANO DRYERS	9/21/17	PXEC0174	AEK	KMD



LEGEND

	RELIEF VALVE		PRESSURE SWITCH
	INTAKE FILTER		REGULATOR
	AIR FILTER		SEPARATOR
	CARBON FILTER		CHECK VALVE
	BALL VALVE		FLEX LINE
	UNION		HIGH TEMP SWITCH

NOTES:

- 1) IF RESERVE COMPRESSOR IS ENERGIZED ALARM WILL OCCUR.
- 2) PIPING TO THE INLET BY OTHERS AND TO BE PER NFPA99
- 3) INSTRUMENTS DOWN STREAM OF SOURCE VALVE TO BE SUPPLIED BY OTHERS.
- 4) ROUTE ALL DRAINS TO AN OIL-WATER SEPARATOR, & DISPOSE OF ANY OIL IN ACCORDANCE WITH LOCAL, STATE, AND FEDERAL REGULATIONS.

SYMBOL LEGEND ⊖ = MINUS DRAFT ⊕ = PLUS DRAFT .XX ± .XXX ± << DEG > ±		= ADDITIONAL CONTROL REQ'D = BRINELL HARDNESS	Drawings to conform to the current revision of the following ANSI standards: Y14.3 Multi and sectional view dgs. Y14.5M Dimensioning and tolerancing
TOLERANCES NOT SPECIFIED AUTOCAD REL2008 LT INCH		DO NOT SCALE DRAWING FOR DIMENSIONS Sheet 2 of 2 SCALE 1:14	
CONFIDENTIAL DISCLOSURE This drawing is the property of POWEREX, INC. of the SCOTT FETZER COMPANY and subject to return on demand. Its contents are confidential and must not be copied or submitted to outside parties for use or examination.			
MATERIAL N/A		DRAWN BY AEK CHECKED BY GES APPROVED BY ENGINEERING DMS MFG/MKTG RJR 10/27/10 10/27/10 10/27/10 10/27/10	
PART NAME QUADPLEX INSTRUMENT AIR		 150 PRODUCTION DRIVE, HARRISON, OHIO 45030 Ph 888-769-7979 FAX (513) 367-3125	
FLOW SCHEMATIC		DWG NO IPQ0504X5 SIZE D	