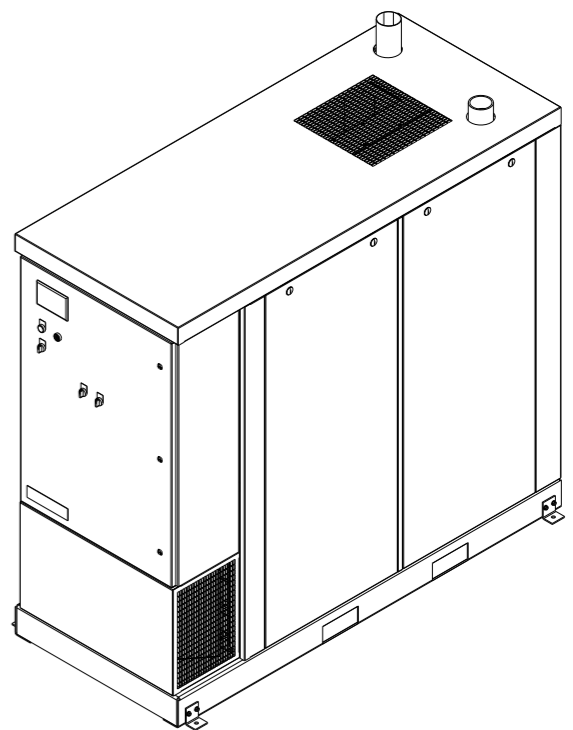
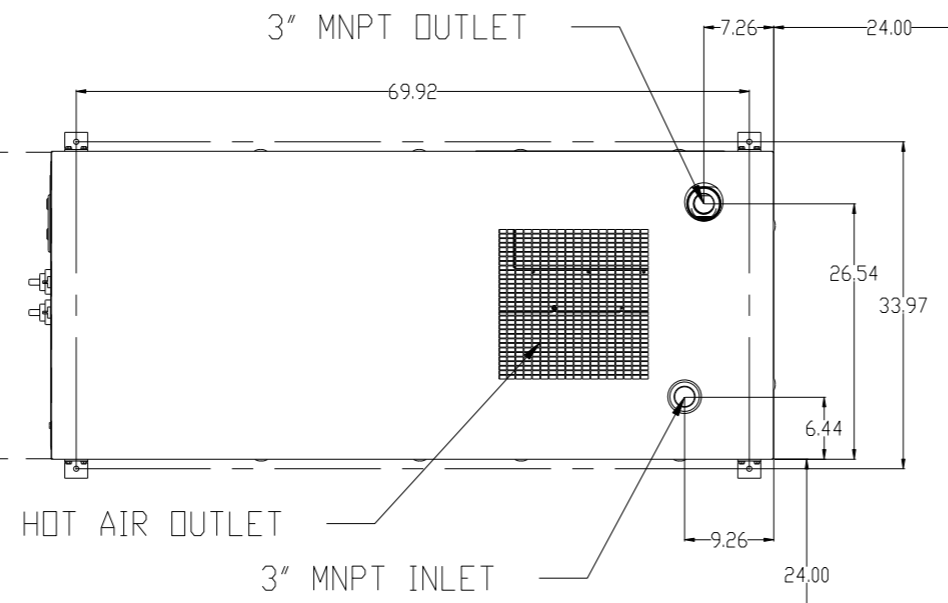


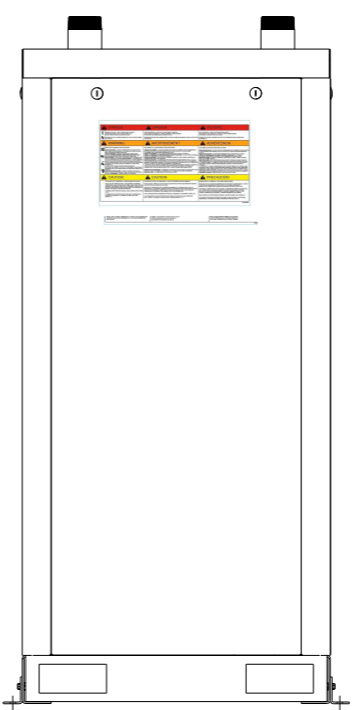
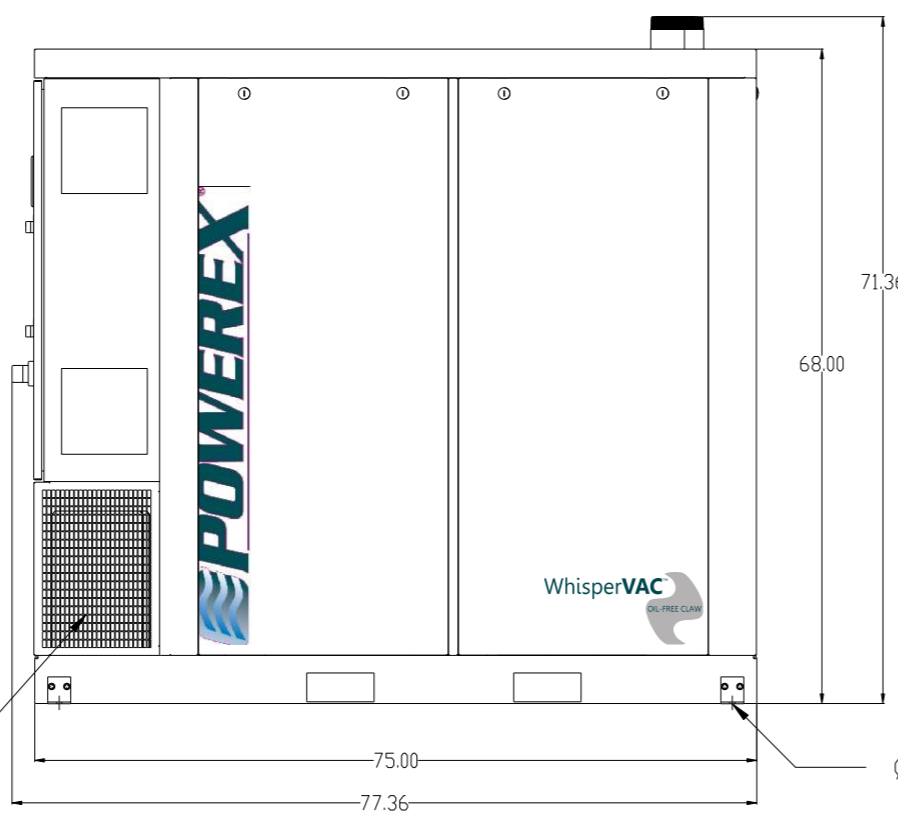
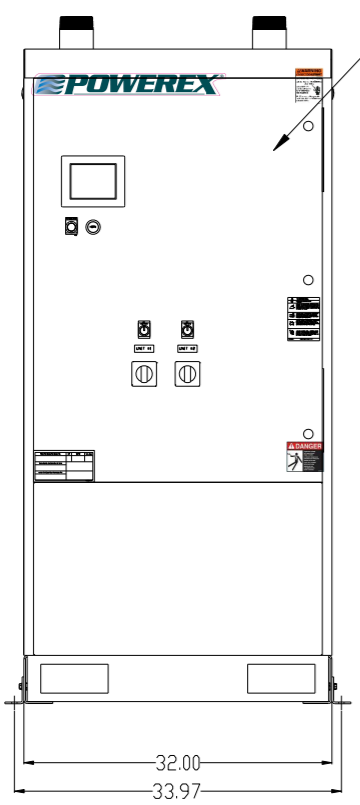
REV	ZONE	REVISION	DATE	ECN	NAME	CHKD
B-1	ALL	RELEASE TO PRODUCTION	2/10/16	PKC0099	GES	AEK

CONTROL PANEL  
CLEARANCE PER  
OSHA/NEC

RECOMMENDED  
MAINTENANCE CLEARANCE



PBMI / HMI CONTROL PANEL



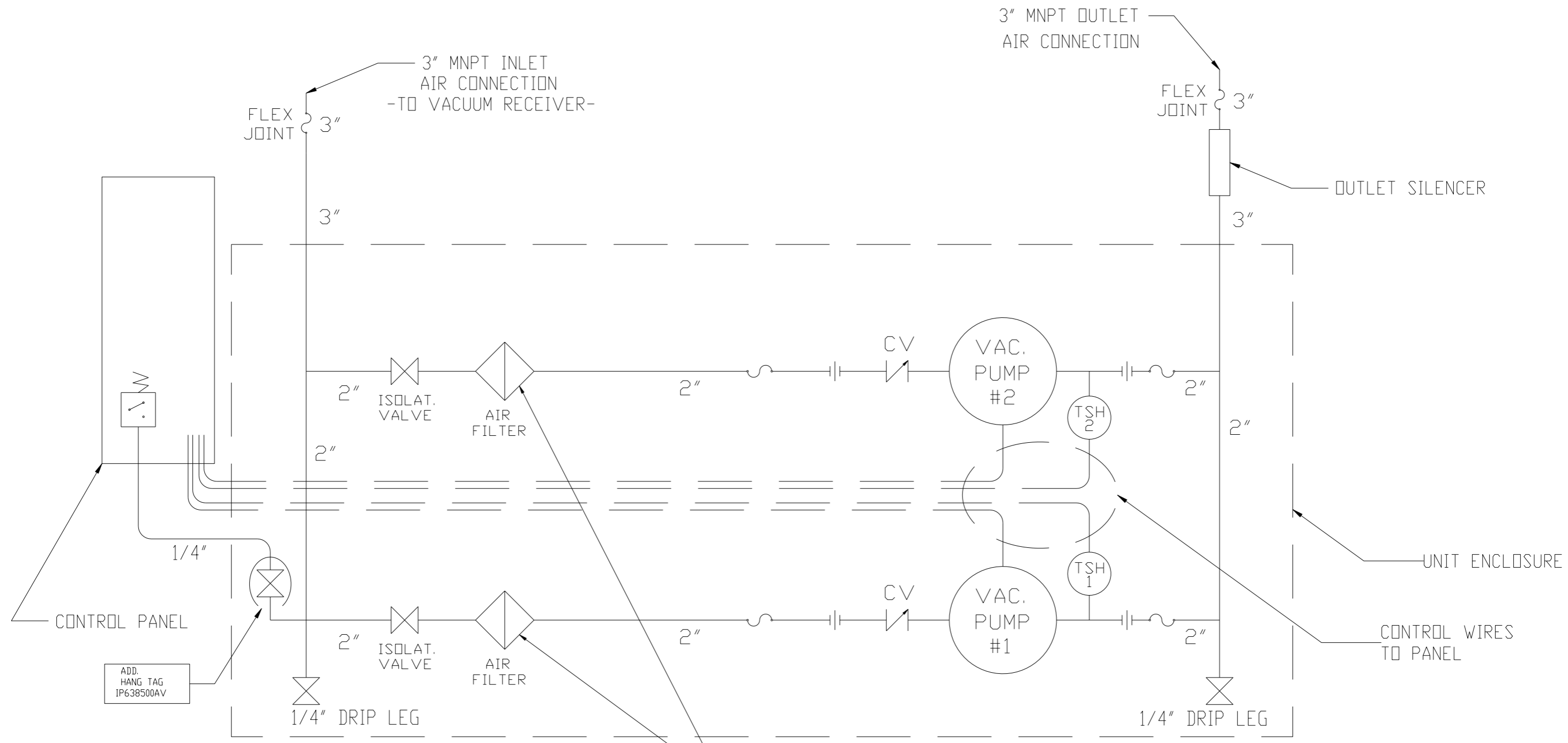
Ø0.55 X 4 MOUNTING HOLES

COOL AIR INLET

- NOTES:  
 1.) SHEET 1, UNIT BUILD  
 2.) SHEET 2, FLOW SCHEMATIC

SYMBOL LEGEND		= ADDITIONAL CONTROL REQ'D		Drawings to conform to the current revision of the following ANSI standards:	
⊖	MINUS DRAFT	⊕	PLUS DRAFT	Ⓢ	BRINELL HARDNESS
TOLERANCES NOT SPECIFIED		AUTOCAD REL2014LT		DO NOT SCALE DRAWING FOR DIMENSIONS	
.XX	±	INCH		Sheet 1 of 2	SCALE N/A
.XXX	±				
<∠ DEG >	±				
CONFIDENTIAL DISCLOSURE This drawing is the property of POWEREX INC. of the SCOTT FETZER COMPANY and subject to return on demand. Its contents are confidential and must not be copied or submitted to outside parties for use or examination.					
DRAWN BY		CHECKED BY		APPROVED BY	
GES		AEK		ENGINEERING MFG/MRKTG GES RJR	
2/10/16		2/10/16		2/10/16 2/10/16	
MATERIAL		N/A		 150 PRODUCTION DRIVE, HARRISON, OHIO 45030 Ph: 888-769-7979 FAX: (513) 367-3125	
PART NAME		LAB CLAW ENCLOSED		SIZE	
BIG 7.5HP DUPLEX VACUUM		DWG NO		LCED0757	

REV	ZONE	REVISION	DATE	ECN	NAME	CHKD
B-1	ALL	RELEASE TO PRODUCTION	2/10/16	PKE0099	GES	AEK



LEGEND	
	TEMP. SWITCH
	AIR FILTER
	BALL VALVE
	VACUUM TRANSDUCER
	CHECK VALVE
	FLEX LINE
	UNION

NOTE:  
A 1/4 INCH VENT PLUG IS  
LOCATED IN EACH FILTER HOUSING.

- NOTES:  
 1) TSH - TEMPERATURE SWITCH HIGH  
 2) IF THE SYSTEM REQUIRES A NFPA SOURCE VALVE, IT IS SUPPLIED BY OTHERS.  
 3) OUTLET SILENCER AND FLEX LINES SHIP LOOSE FOR FIELD INSTALLATION.

SYMBOL LEGEND ⊖ = MINUS DRAFT ⊕ = PLUS DRAFT TOLERANCES NOT SPECIFIED .XX ± .XXX ± <DEG> ±		⊕ = ADDITIONAL CONTROL REQ'D HRC = BRINELL HARDNESS Drawings to conform to the current revision of the following ANSI standards: Y14.3 Multi and sectional view dgs Y14.5M Dimensioning and tolerancing	
AUTOCAD REL2014LT INCH		DO NOT SCALE DRAWING FOR DIMENSIONS Sheet 2 of 2 SCALE N/A	
CONFIDENTIAL DISCLOSURE This drawing is the property of POWEREX INC. of the SCOTT FITZGER COMPANY and subject to return on demand. Its contents are confidential and must not be copied or submitted to outside parties for use or examination.			
DRAWN BY	CHECKED BY	APPROVED BY	MFG/MKTG
GES	AEK	GES	RJR
2/10/16	2/10/16	2/10/16	2/10/16
MATERIAL N/A PART NAME LAB CLAW ENCLOSED BIG 7.5HP DUPLEX VACUUM		 150 PRODUCTION DRIVE, HARRISON, OHIO 45030 Ph 888-769-7979 FAX (513) 367-3125 DWG NO LCED0757 SIZE D	