

REV	ZONE	REVISION	DATE	ECN	NAME	CHKD
B-1	ALL	RELEASE TO PRODUCTION	1/25/13	PREC003	AEK	DMS

MINIMUM RECOMMENDED ELECTRICAL PANEL CLEARANCE PER OSHA/ NEC

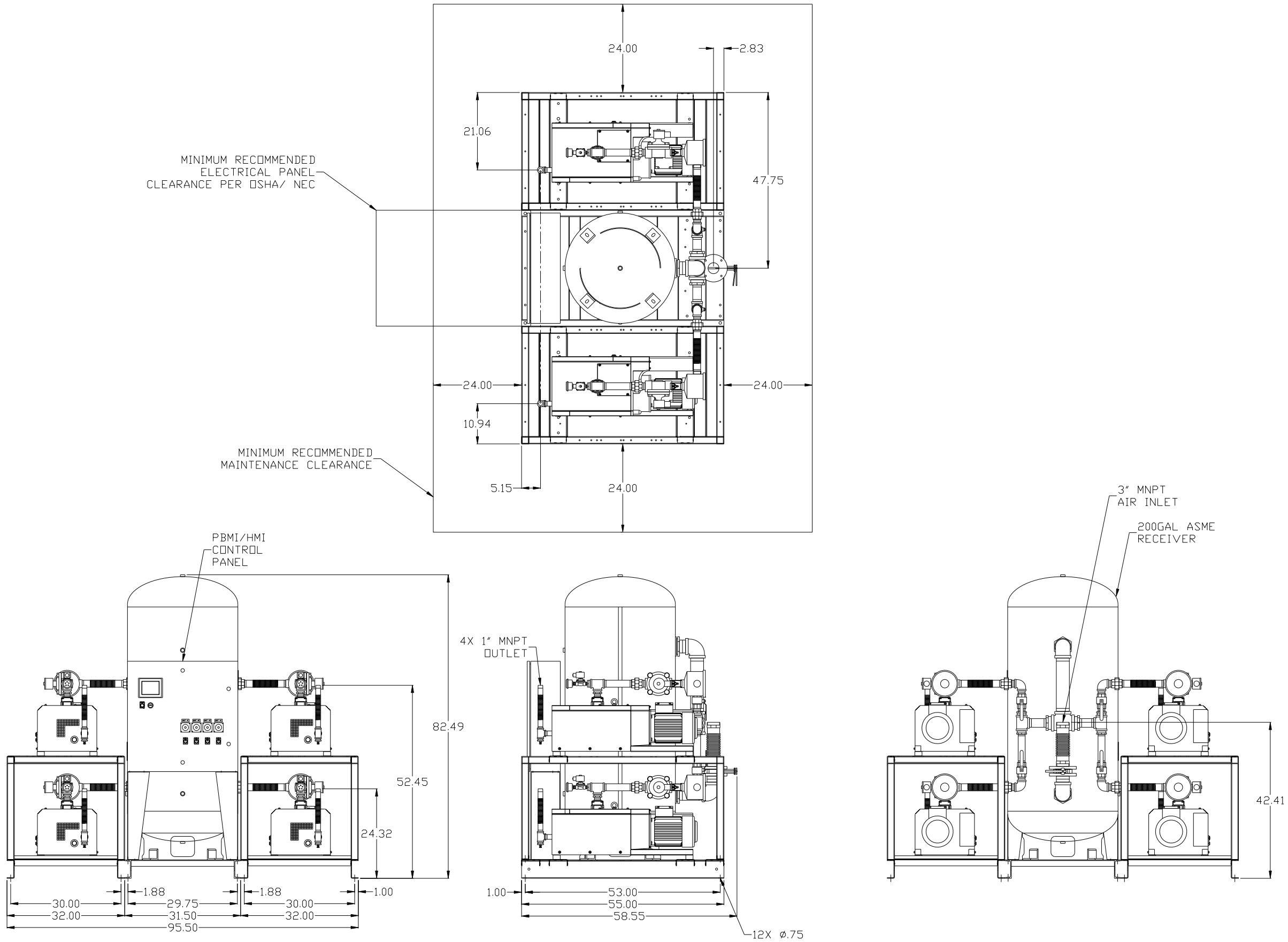
MINIMUM RECOMMENDED MAINTENANCE CLEARANCE

PBMI/HMI CONTROL PANEL

4X 1" MNPT OUTLET

3" MNPT AIR INLET

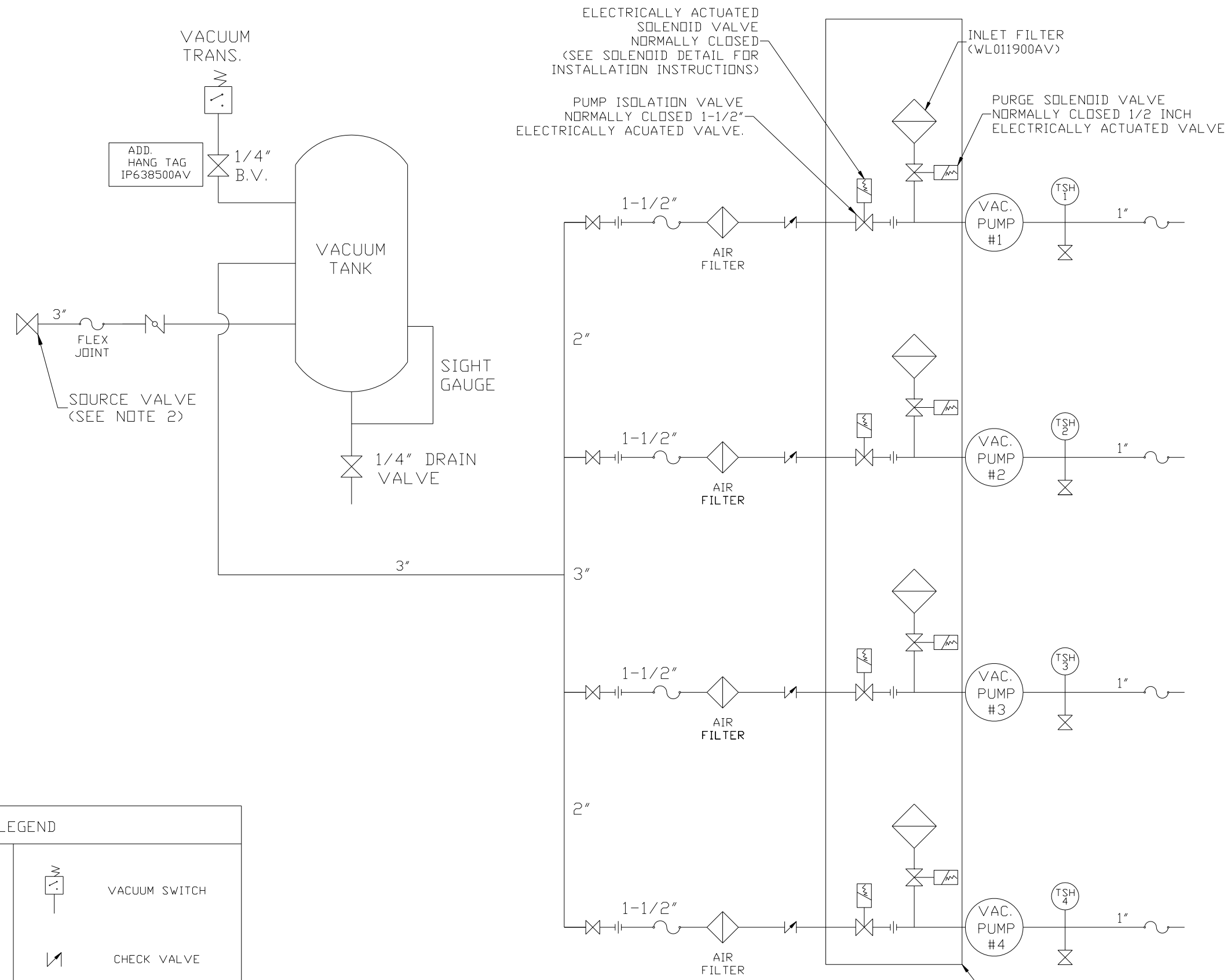
200GAL ASME RECEIVER



NOTE: AUTO PURGE IS OPTIONAL.

SYMBOL LEGEND ⊖ = MINUS DRAFT ⊕ = PLUS DRAFT Ⓢ = ADDITIONAL CONTROL REQ'D Ⓢ = BRINELL HARDNESS		Drawings to conform to the current revision of the following ANSI standards: Y14.3 Multi and sectional view dgs. Y14.5M Dimensioning and tolerancing	
TOLERANCES NOT SPECIFIED .XX ± .XXX ± \angle(DEG) ±		AUTOCAD REL2008 LT INCH DO NOT SCALE DRAWING FOR DIMENSIONS Sheet 1 of 2 SCALE 1:14	
CONFIDENTIAL DISCLOSURE This drawing is the property of POWEREX, INC. of the SCOTT FEITZER COMPANY and subject to return on demand. Its contents are confidential and must not be copied or submitted to outside parties for use or examination.			
DRAWN BY AEK	CHECKED BY DMS	APPROVED BY AEK	MFG/MRKTG CT
1/25/13	1/25/13	1/25/13	1/25/13
MATERIAL N/A		PART NAME 6. 4HP LAB VACUUM 200GAL QUADPLEX	
DWG NO LCPQ0605		SIZE D	

REV	ZONE	REVISION	DATE	ECN	NAME	CHKD
B-1	ALL	RELEASE TO PRODUCTION	1/25/13	PHC0003	AEK	DMS



ELECTRICALLY ACTUATED SOLENOID VALVE NORMALLY CLOSED (SEE SOLENOID DETAIL FOR INSTALLATION INSTRUCTIONS)

PUMP ISOLATION VALVE NORMALLY CLOSED 1-1/2" ELECTRICALLY ACUATED VALVE.

INLET FILTER (WL011900AV)

PURGE SOLENOID VALVE NORMALLY CLOSED 1/2 INCH ELECTRICALLY ACTUATED VALVE

ADD. HANG TAG IP638500AV

3" FLEX JOINT

SOURCE VALVE (SEE NOTE 2)

VACUUM TRANS.

1/4" B.V.

VACUUM TANK

SIGHT GAUGE

1/4" DRAIN VALVE

3"

1-1/2" AIR FILTER

2"

1-1/2" AIR FILTER

3"

1-1/2" AIR FILTER

2"

1-1/2" AIR FILTER

2"

1-1/2" AIR FILTER

2"

VAC. PUMP #1

TSH 1

1"

VAC. PUMP #2

TSH 2

1"

VAC. PUMP #3

TSH 3

1"

VAC. PUMP #4

TSH 4

1"

LEGEND

	TEMP. SWITCH		VACUUM SWITCH
	AIR FILTER		CHECK VALVE
	BALL VALVE		FLEX LINE
	BUTTERFLY VALVE		UNION

NOTE:
 1) TSH - TEMPERATURE SWITCH HIGH
 2) PER NFPA THE SYSTEM WILL REQUIRE A SOURCE VALVE (SUPPLIED BY OTHERS).

NOTE:
 A 1/4 INCH VENT PLUG IS LOCATED IN THE FILTER HOUSING.

AUTO PURGE IS OPTIONAL

SYMBOL LEGEND		= ADDITIONAL CONTROL REQ'D		Drawings to conform to the current revision of the following ANSI standards:	
⊖ = MINUS DRAFT		⊕ = PLUS DRAFT		Y14.3 Mult. and sectional view dgs.	
= AUTOCAD REL2008 LT		= BRINELL HARDNESS		Y14.5M Dimensioning and tolerancing	
TOLERANCES NOT SPECIFIED		DO NOT SCALE DRAWING FOR DIMENSIONS		SCALE	
.XX ±		INCH		Sheet 2 of 2	
.XXX ±		SCALE		1: 14	
Z(DEG) ±		SCALE		1: 14	
CONFIDENTIAL DISCLOSURE					
This drawing is the property of POWEREX, INC. of the SCOTT FITZGER COMPANY and subject to return on demand. Its contents are confidential and must not be copied or submitted to outside parties for use or examination.					
DRAWN BY		CHECKED BY		APPROVED BY	
AEK		DMS		AEK CT	
1/25/13		1/25/13		1/25/13	
MATERIAL		N/A		POWEREX	
PART NAME		QUADPLEX CLAW LAB VACUUM		150 PRODUCTION DRIVE, HARRISON, OHIO 45030 Ph: 888-769-7979 FAX: (513) 367-3125	
FLOW SCHEMATIC		DWG NO		LCPQ0605	
SIZE		D		LCPQ0605B 9/9	

REV	ZONE	REVISION	DATE	ECN	NAME	CHKD
B-1	ALL	RELEASE TO PRODUCTION	1/25/13	PREC003	AEK	DMS

MINIMUM RECOMMENDED ELECTRICAL PANEL CLEARANCE PER OSHA/ NEC

MINIMUM RECOMMENDED MAINTENANCE CLEARANCE

PBMI/HMI CONTROL PANEL

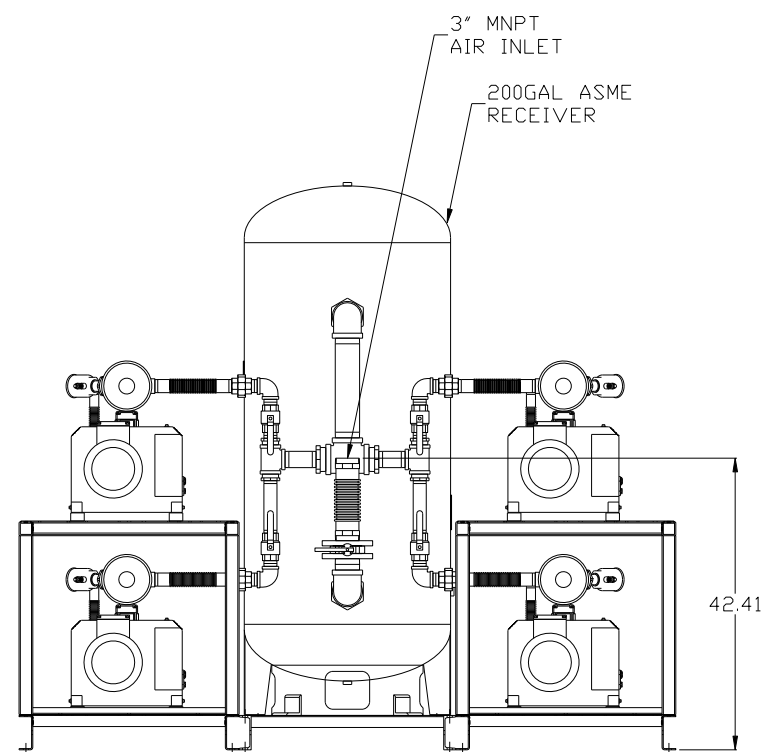
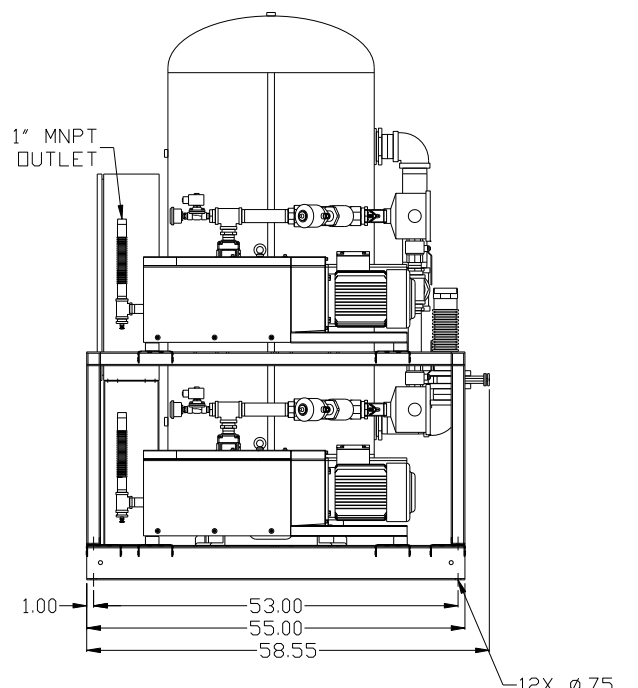
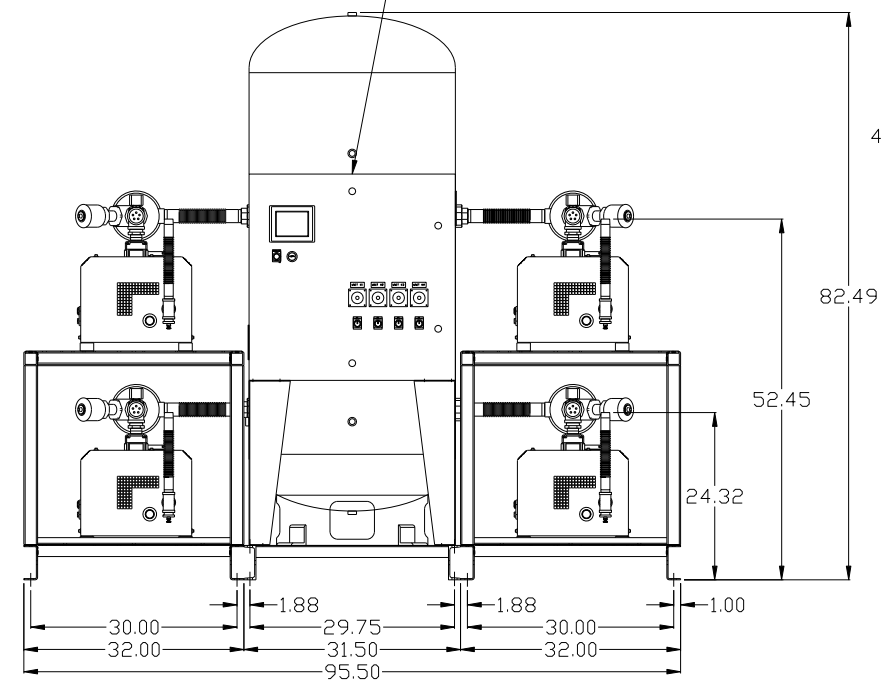
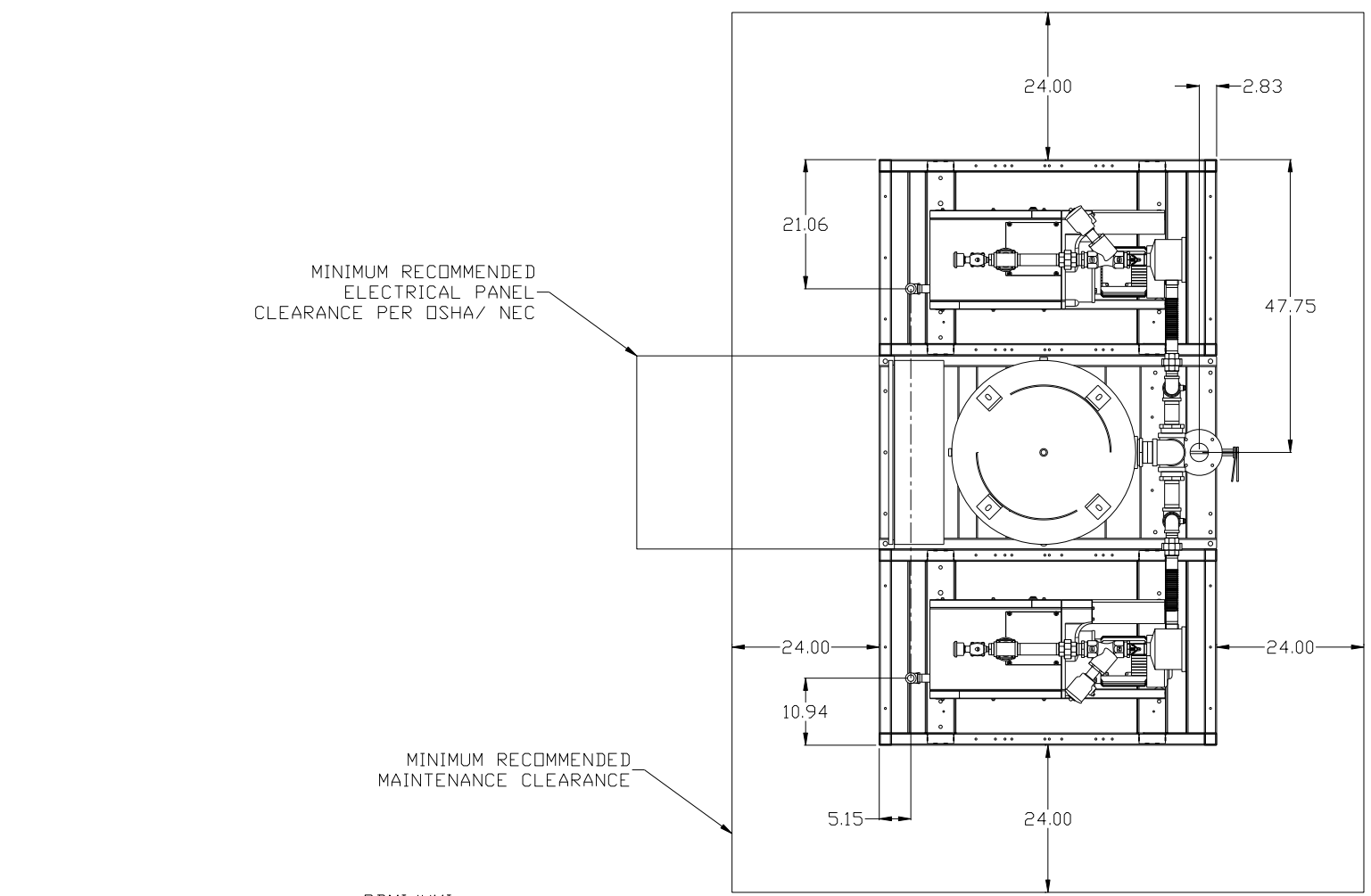
3" MNPT AIR INLET

200GAL ASME RECEIVER

4X 1" MNPT OUTLET

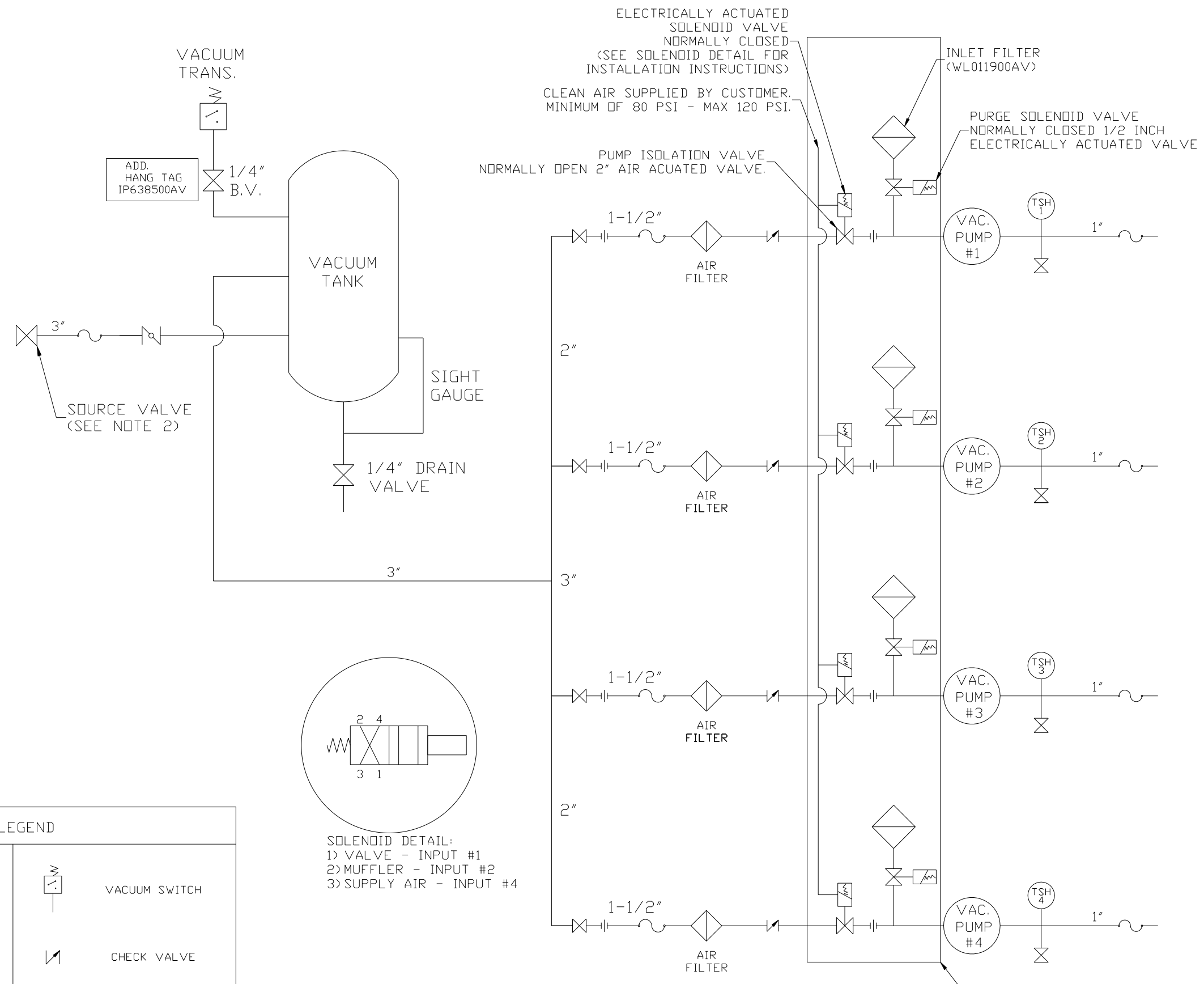
12X Ø.75

NOTE: AUTO PURGE IS OPTIONAL.



SYMBOL LEGEND		AUTOCAD REL2008 LT		DO NOT SCALE DRAWING FOR DIMENSIONS	
⊖	MINUS DRAFT	⊕	PLUS DRAFT	⊕	ADDITIONAL CONTROL REQ'D
⊕	PLUS DRAFT	⊕	PLUS DRAFT	⊕	BRINELL HARDNESS
TOLERANCES NOT SPECIFIED		INCH		SCALE	
.XX ±		.XXX ±		Sheet 1 of 2	
<Z DEG > ±				1:14	
CONFIDENTIAL DISCLOSURE This drawing is the property of POWEREX, INC. of the SCOTT FEITZER COMPANY and subject to return on demand. Its contents are confidential and must not be copied or submitted to outside parties for use or examination.					
DRAWN BY		CHECKED BY		APPROVED BY	
AEK		DMS		AEK CT	
1/25/13		1/25/13		1/25/13 1/25/13	
MATERIAL		N/A		POWEREX	
PART NAME		6. 4HP LAB VACUUM		150 PRODUCTION DRIVE, HARRISON, OHIO 45030 Ph: 888-769-7979 FAX: (513) 367-3125	
DWG NO		LCPQ0605		SIZE	
				D	

REV	ZONE	REVISION	DATE	ECN	NAME	CHKD
B-1	ALL	RELEASE TO PRODUCTION	1/25/13	PRE0003	AEK	DMS



ELECTRICALLY ACTUATED SOLENOID VALVE NORMALLY CLOSED (SEE SOLENOID DETAIL FOR INSTALLATION INSTRUCTIONS)
 CLEAN AIR SUPPLIED BY CUSTOMER. MINIMUM OF 80 PSI - MAX 120 PSI.

INLET FILTER (WL011900AV)

PURGE SOLENOID VALVE NORMALLY CLOSED 1/2 INCH ELECTRICALLY ACTUATED VALVE

PUMP ISOLATION VALVE NORMALLY OPEN 2" AIR ACUATED VALVE.

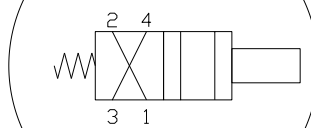
ADD. HANG TAG IP638500AV

SOURCE VALVE (SEE NOTE 2)

VACUUM TANK

SIGHT GAUGE

1/4" DRAIN VALVE



SOLENOID DETAIL:
 1) VALVE - INPUT #1
 2) MUFFLER - INPUT #2
 3) SUPPLY AIR - INPUT #4

NOTE:
 1) TSH - TEMPERATURE SWITCH HIGH
 2) PER NFPA THE SYSTEM WILL REQUIRE A SOURCE VALVE (SUPPLIED BY OTHERS).

NOTE:
 A 1/4 INCH VENT PLUG IS LOCATED IN THE FILTER HOUSING.

AUTO PURGE IS OPTIONAL

LEGEND

	TEMP. SWITCH		VACUUM SWITCH
	AIR FILTER		CHECK VALVE
	BALL VALVE		FLEX LINE
	BUTTERFLY VALVE		UNION

SYMBOL LEGEND			ADDITIONAL CONTROL REQ'D	Drawings to conform to the current revision of the following ANSI standards.	
	MINUS DRAFT		BRINELL HARDNESS	Y14.3 Multi and sectional view dgs. Y14.5M Dimensioning and tolerancing	
TOLERANCES NOT SPECIFIED		AUTOCAD REL2008 LT	DO NOT SCALE DRAWING FOR DIMENSIONS		
.XX ±		INCH	Sheet 2 of 2	SCALE 1:14	
.XXX ±					
<<DEG> ±					
CONFIDENTIAL DISCLOSURE					
This drawing is the property of POWEREX, INC. of the SCOTT FETZER COMPANY and subject to return on demand. Its contents are confidential and must not be copied or submitted to outside parties for use or examination.					
DRAWN BY	CHECKED BY	ENGINEERING	APPROVED BY	MFG/MRKTG	
AEK	DMS	AEK	CT		
1/25/13	1/25/13	1/25/13	1/25/13		
MATERIAL		N/A			
PART NAME		QUADPLEX CLAW LAB VACUUM			
FLOW SCHEMATIC		DWG NO		SIZE	
		LCPQ0605		D	

REV	ZONE	REVISION	DATE	ECN	NAME	CHKD
B-1	ALL	RELEASE TO PRODUCTION	1/25/13	PREC003	AEK	DMS

MINIMUM RECOMMENDED ELECTRICAL PANEL CLEARANCE PER OSHA/ NEC

MINIMUM RECOMMENDED MAINTENANCE CLEARANCE

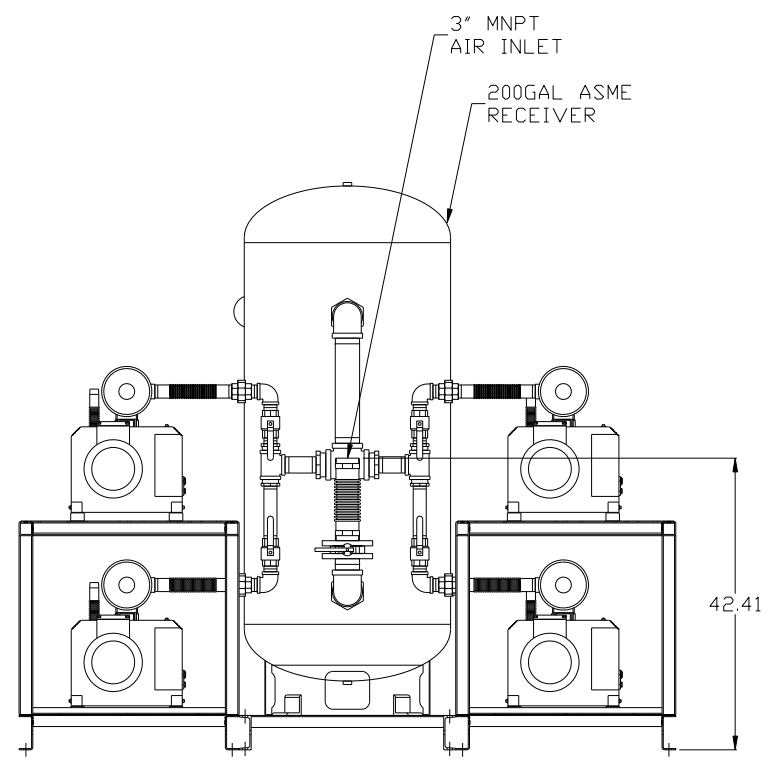
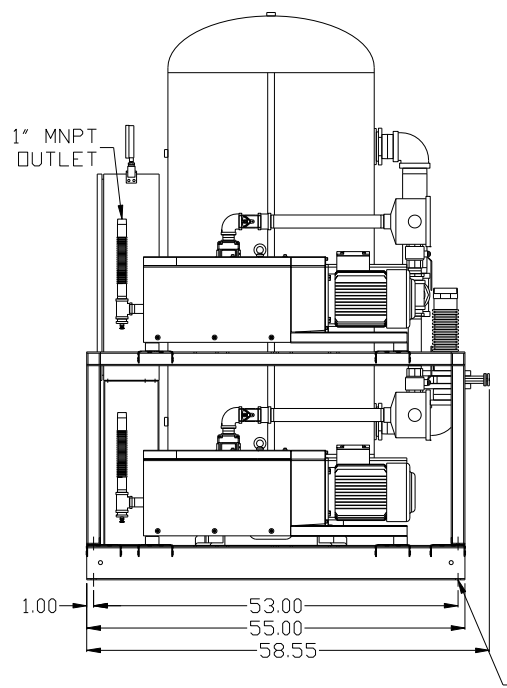
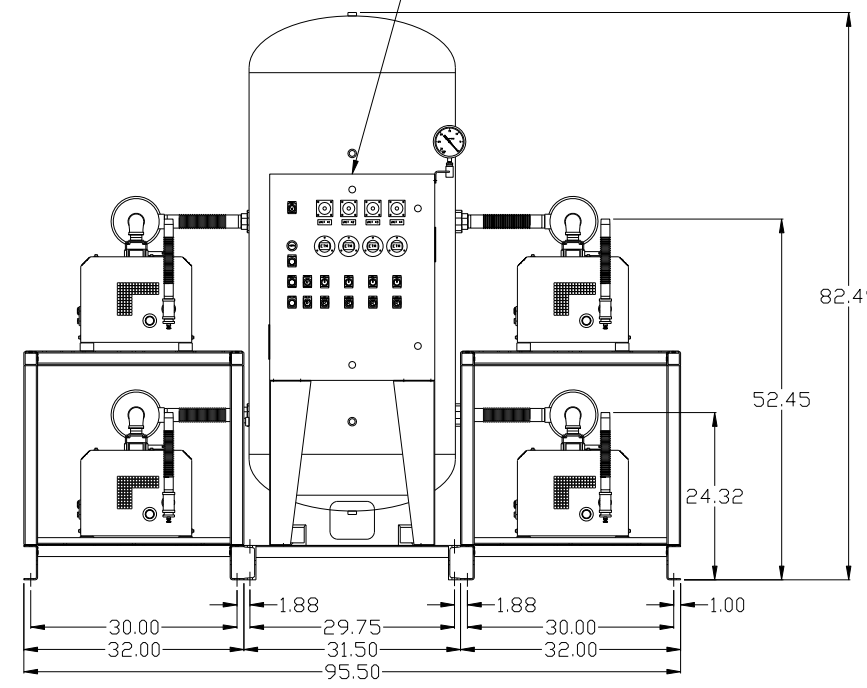
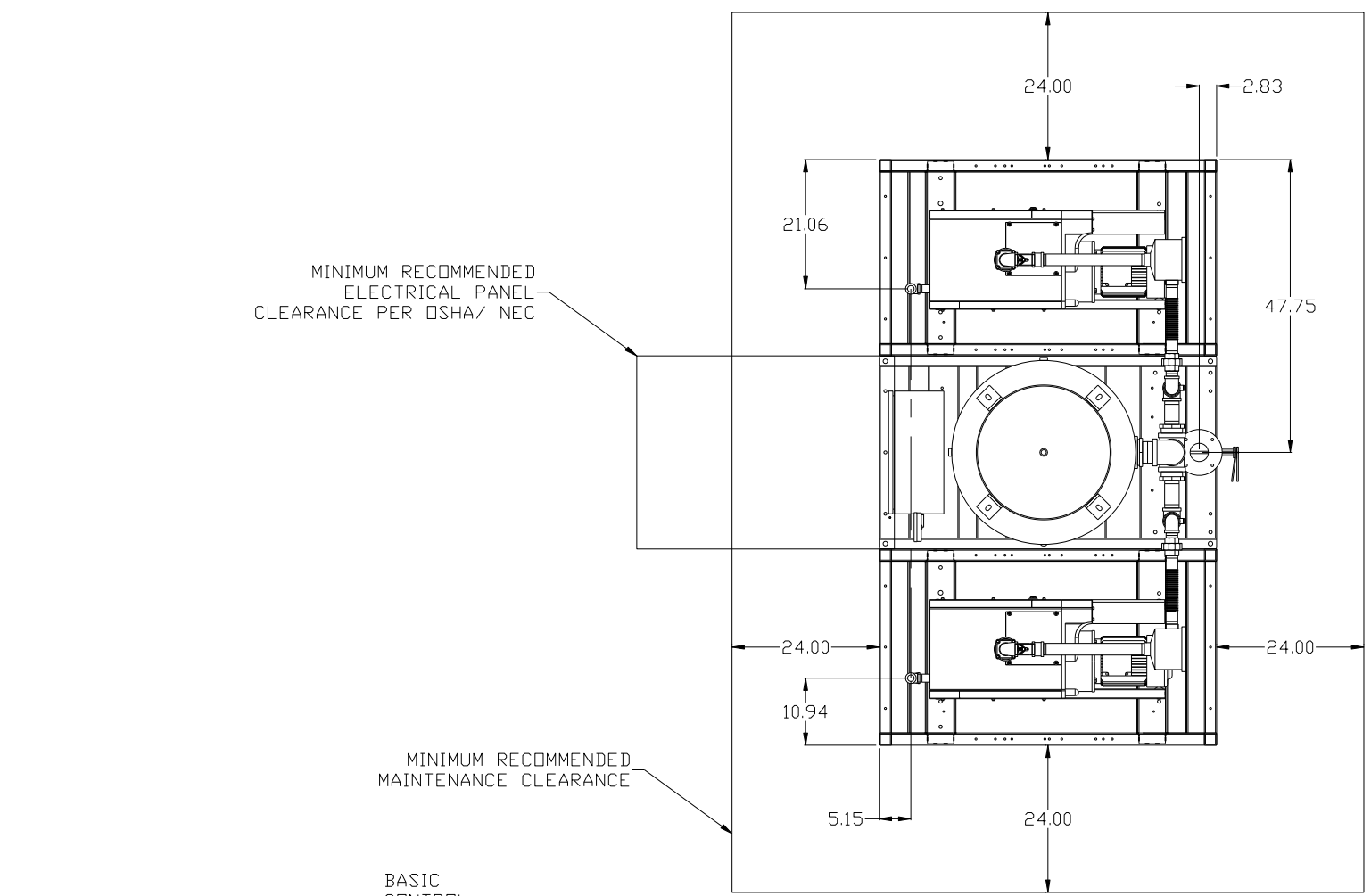
BASIC CONTROL PANEL

3" MNPT AIR INLET

200GAL ASME RECEIVER

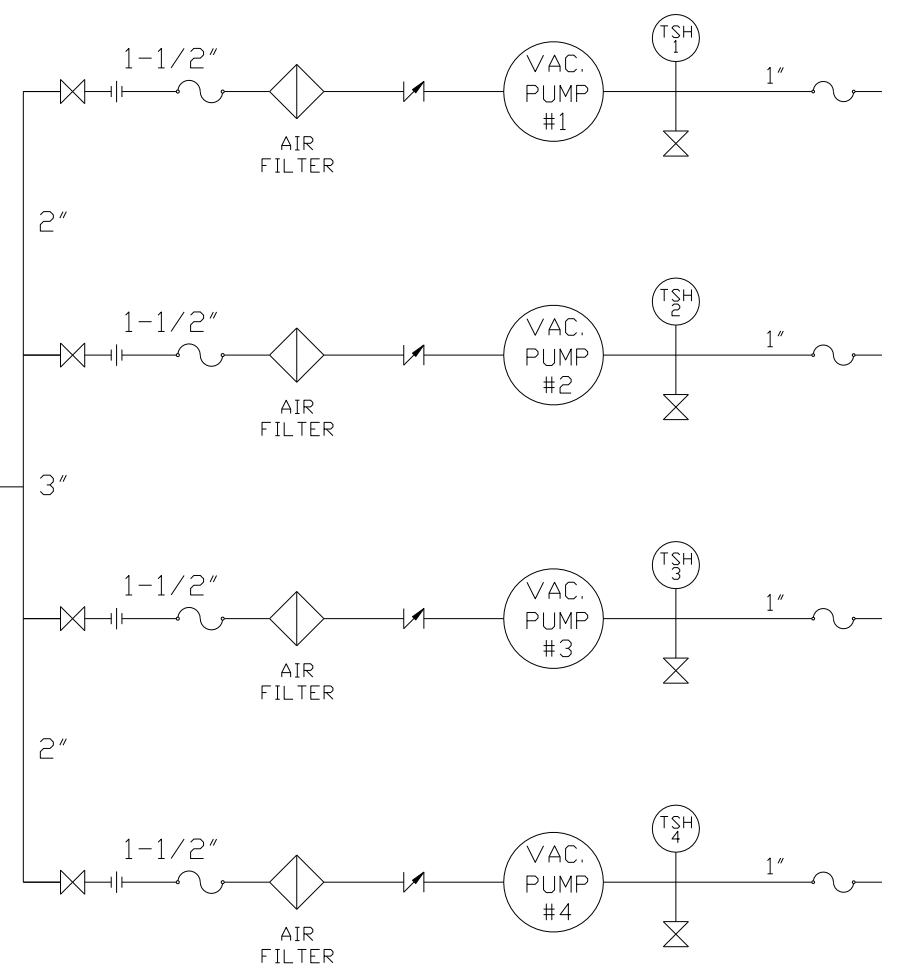
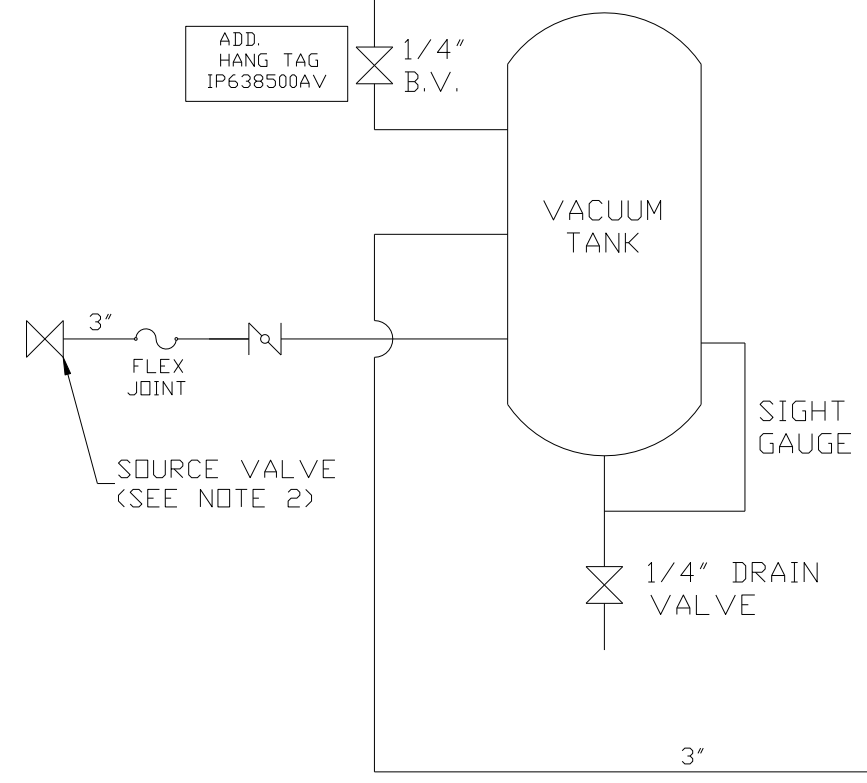
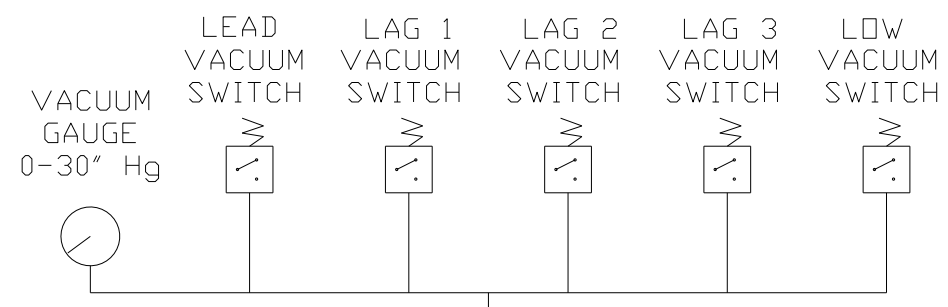
4X 1" MNPT OUTLET

12X Ø.75



SYMBOL LEGEND ⊖ = MINUS DRAFT ⊕ = PLUS DRAFT .XX ± .XXX ± \angle (DEG) ±		= ADDITIONAL CONTROL REQ'D = BRINELL HARDNESS		Drawings to conform to the current revision of the following ANSI standards: Y14.3 Multi and sectional view dsgs. Y14.5M Dimensioning and tolerancing	
TOLERANCES NOT SPECIFIED .XX ± .XXX ± \angle (DEG) ±		AUTOCAD REL2008 LT INCH		DO NOT SCALE DRAWING FOR DIMENSIONS Sheet 1 of 2 SCALE 1:14	
CONFIDENTIAL DISCLOSURE This drawing is the property of POWEREX, INC. of the SCOTT FEITZER COMPANY and subject to return on demand. Its contents are confidential and must not be copied or submitted to outside parties for use or examination.					
DRAWN BY AEK		CHECKED BY DMS		APPROVED BY AEK CT	
MATERIAL N/A		DATE 1/25/13		DATE 1/25/13	
PART NAME 6. 4HP LAB VACUUM 200GAL QUADPLEX		DWG NO LCPQ0605		SIZE D	

REV	ZONE	REVISION	DATE	ECN	NAME	CHKD
B-1	ALL	RELEASE TO PRODUCTION	1/25/13	PRE0003	AEK	DMS



NOTE:
A 1/4 INCH VENT PLUG IS LOCATED IN THE FILTER HOUSING.

LEGEND

	TEMP. SWITCH		VACUUM SWITCH
	AIR FILTER		CHECK VALVE
	BALL VALVE		FLEX LINE
	BUTTERFLY VALVE		UNION

NOTE:
1) TSH - TEMPERATURE SWITCH HIGH
2) PER NFPA THE SYSTEM WILL REQUIRE A SOURCE VALVE (SUPPLIED BY OTHERS).

SYMBOL LEGEND ⊖ = MINUS DRAFT ⊕ = PLUS DRAFT TOLERANCES NOT SPECIFIED .XX ± .XXX ± \angle (DEG.) ±		ADDITIONAL CONTROL REQ'D BRINELL HARDNESS		Drawings to conform to the current revision of the following ANSI standards: Y14.3 Multi and sectional view dgs. Y14.5M Dimensioning and tolerancing	
AUTOCAD REL2008 LT INCH		DO NOT SCALE DRAWING FOR DIMENSIONS Sheet 2 of 2 SCALE 1:14		CONFIDENTIAL DISCLOSURE This drawing is the property of POWEREX, INC. of the SCOTT FETZER COMPANY and subject to return on demand. Its contents are confidential and must not be copied or submitted to outside parties for use or examination.	
DRAWN BY AEK	CHECKED BY DMS	APPROVED BY AEK	MFG/MKTG CT	1/25/13	1/25/13
MATERIAL N/A		 150 PRODUCTION DRIVE, HARRISON, OHIO 45030 Ph: 888-769-7979 FAX: (513) 367-3125		DWG NO LCPQ0605	SIZE D
PART NAME QUADPLEX CLAW LAB VACUUM		FLOW SCHEMATIC		LCPQ0605B.dwg	