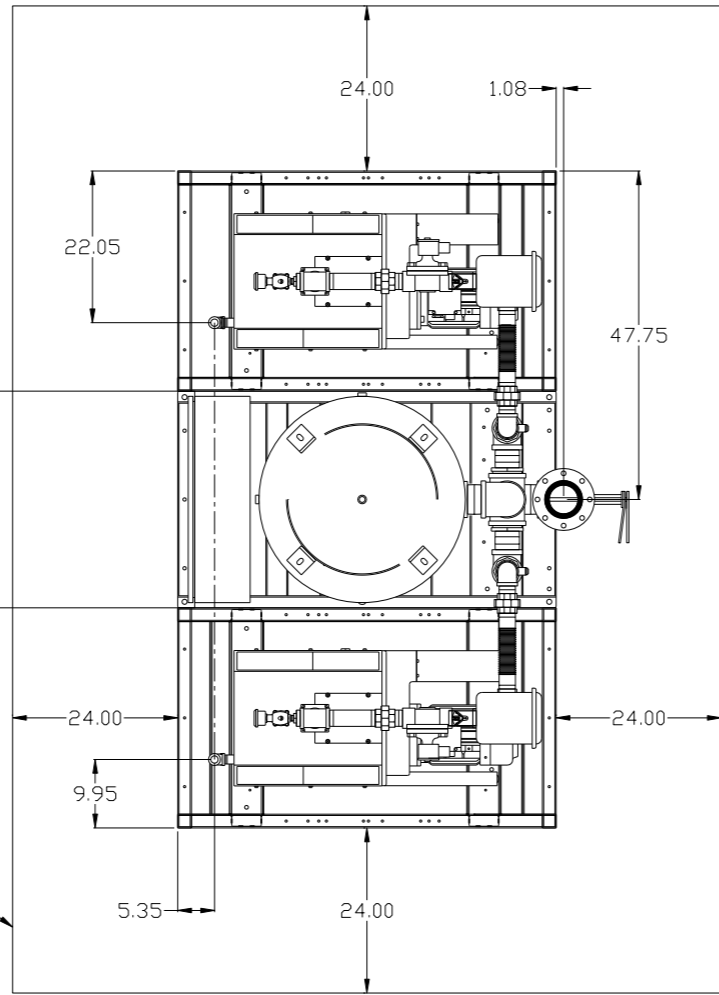


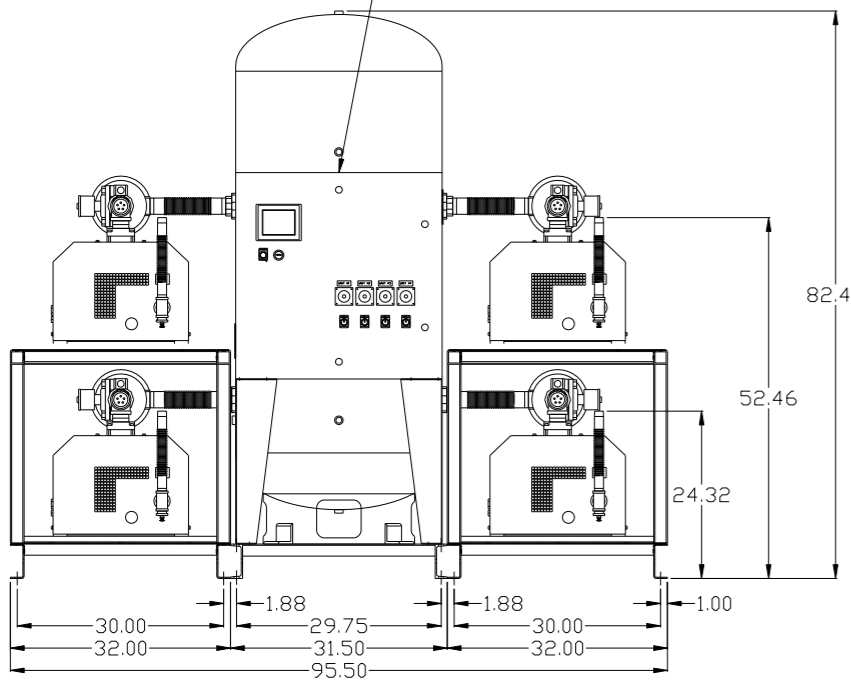
REV	ZONE	REVISION	DATE	ECN	NAME	CHKD
B-1	ALL	RELEASE TO PRODUCTION	1/23/12	PREC003	AEK	DMS

MINIMUM RECOMMENDED ELECTRICAL PANEL CLEARANCE PER OSHA/ NEC

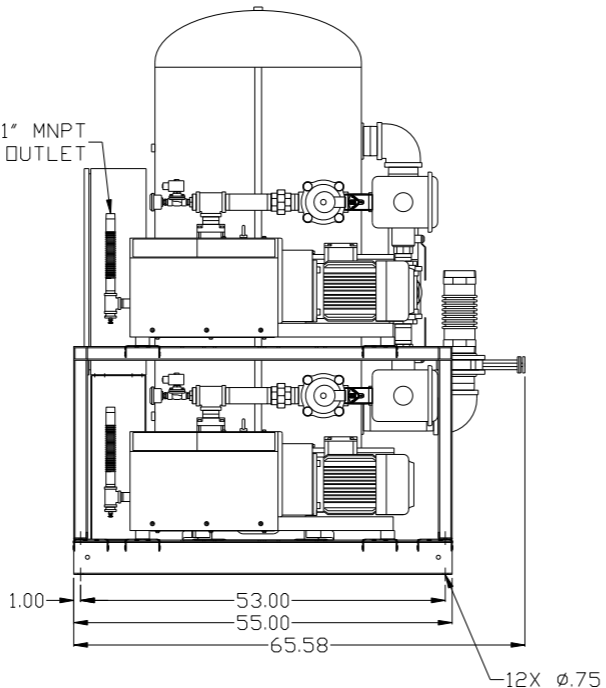
MINIMUM RECOMMENDED MAINTENANCE CLEARANCE



PBMI/HMI CONTROL PANEL

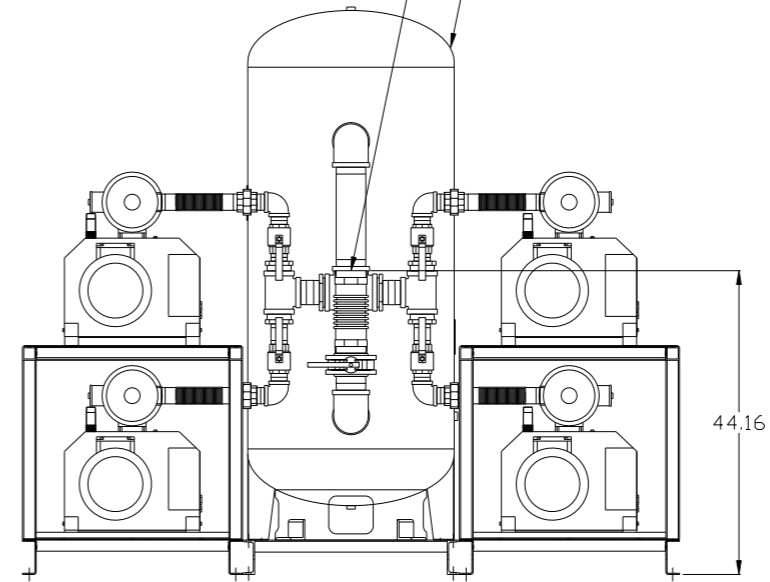


4X 1" MNPT OUTLET



4" MNPT AIR INLET

200GAL ASME RECEIVER



NOTE: AUTO PURGE IS OPTIONAL.

SYMBOL LEGEND ⊖ = MINUS DRAFT ⊕ = PLUS DRAFT TOLERANCES NOT SPECIFIED: .XX ± .XXX ± \angle (DEG) ±		= ADDITIONAL CONTROL REQ'D = BRINELL HARDNESS		Drawings to conform to the current revision of the following ANSI standards: Y14.3 Multi and sectional view dgs. Y14.5M Dimensioning and tolerancing
AUTOCAD REL2008 LT INCH		DO NOT SCALE DRAWING FOR DIMENSIONS Sheet 1 of 2 SCALE 1:14		
CONFIDENTIAL DISCLOSURE This drawing is the property of POWEREX, INC. of the SCOTT FEITZER COMPANY and subject to return on demand. Its contents are confidential and must not be copied or submitted to outside parties for use or examination.				
DRAWN BY AEK	CHECKED BY DMS	APPROVED BY AEK	MFG/MKTG CT	
1/23/12	1/23/12	1/23/12	1/23/12	
MATERIAL N/A		PART NAME 9. 1HP LAB VACUUM 200G QUADPLEX		
DWG NO LCPQ0905		SIZE D		

8

7

6

5

4

3

2

1

REV	ZONE	REVISION	DATE	ECN	NAME	CHKD
B-1	ALL	RELEASE TO PRODUCTION	1/23/12	PREC003	AEK	DMS

MINIMUM RECOMMENDED
ELECTRICAL PANEL
CLEARANCE PER OSHA/ NEC

MINIMUM RECOMMENDED
MAINTENANCE CLEARANCE


PBMI/HMI
CONTROL
PANEL

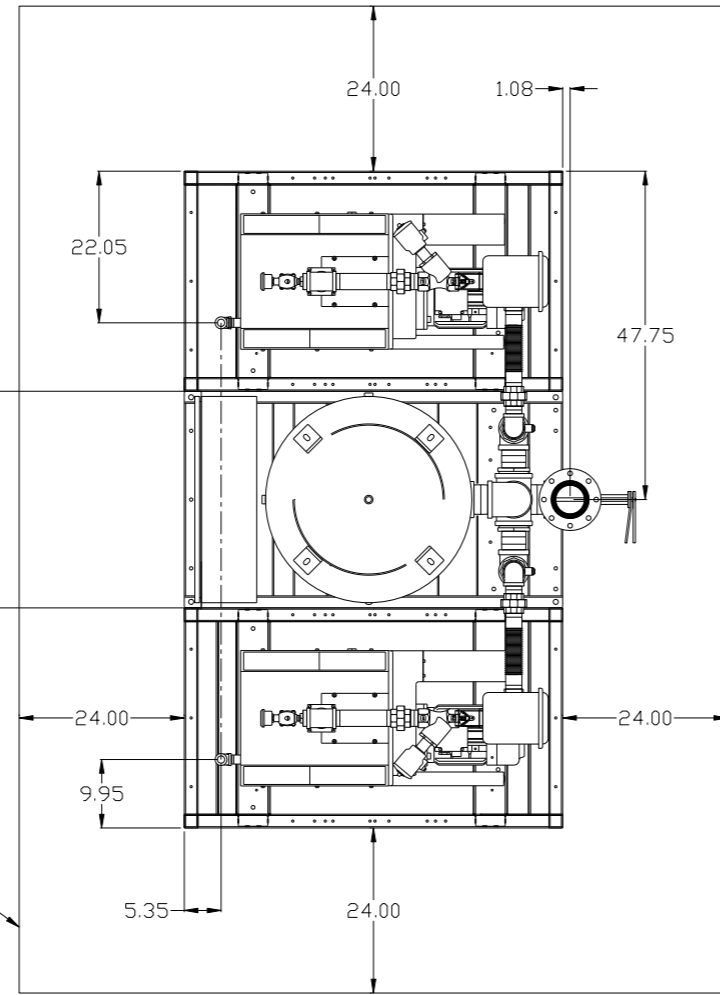
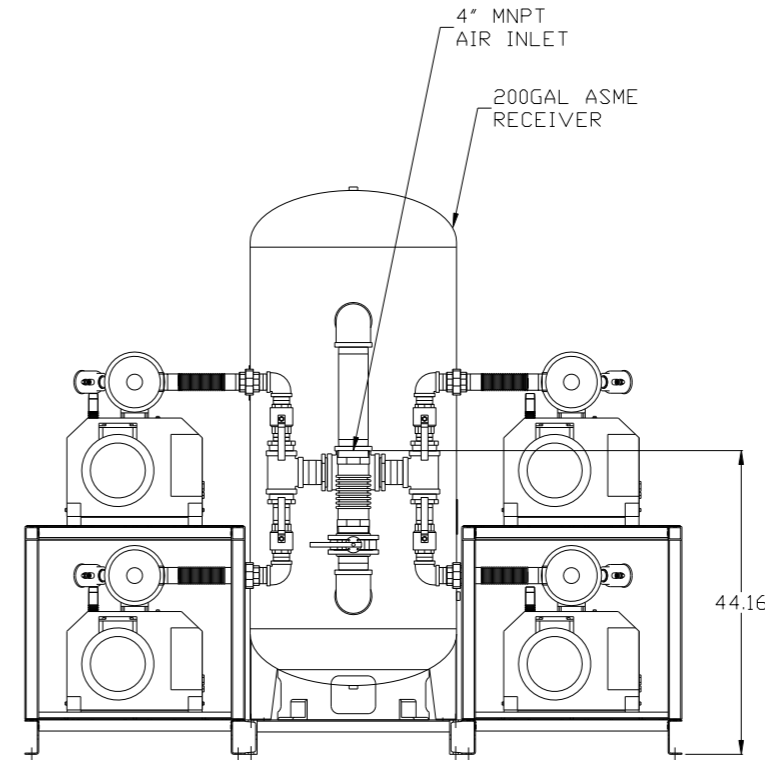
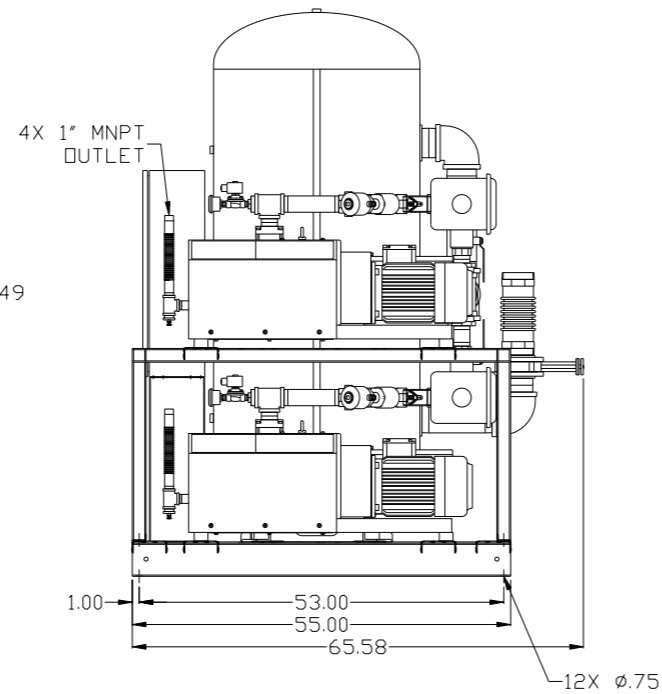
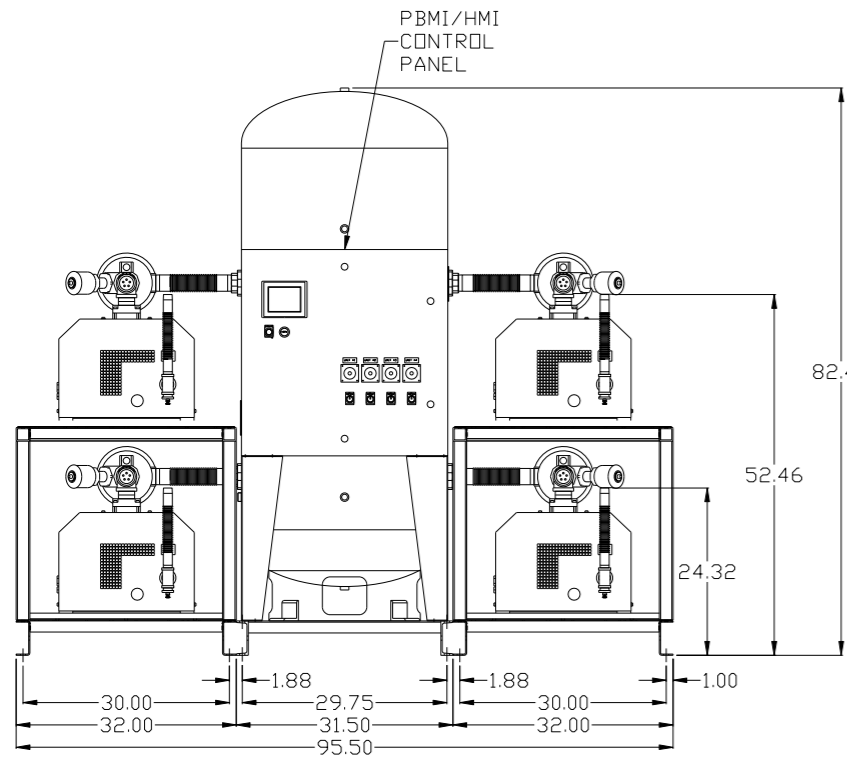
4X 1" MNPT
OUTLET

4" MNPT
AIR INLET

200GAL ASME
RECEIVER

NOTE: AUTO PURGE IS OPTIONAL.

SYMBOL LEGEND		= ADDITIONAL CONTROL REQ'D		Drawings to conform to the current revision of the following ANSI standards	
⊖	= MINUS DRAFT	⊕	= PLUS DRAFT	⊖	= BRINELL HARDNESS
TOLERANCES NOT SPECIFIED		AUTOCAD REL2008 LT		DO NOT SCALE DRAWING FOR DIMENSIONS	
.XX ±		INCH		Sheet 1 of 2	SCALE 1:14
.XXX ±					
<DEG> ±					
CONFIDENTIAL DISCLOSURE This drawing is the property of POWEREX, INC. of the SCOTT FEITZER COMPANY and subject to return on demand. Its contents are confidential and must not be copied or submitted to outside parties for use or examination.					
DRAWN BY		CHECKED BY		APPROVED BY	
AEK		DMS		AEK CT	
1/23/12		1/23/12		1/23/12 1/23/12	
MATERIAL		N/A		 150 PRODUCTION DRIVE, HARRISON, OHIO 45030 Ph 888-769-7979 FAX (513) 367-3125	
PART NAME		9. 1HP LAB VACUUM		SIZE	
		200G QUADPLEX		D	
DWG NO		LCPQ0905		LCPQ0905B.dwg	



8

7

6

5

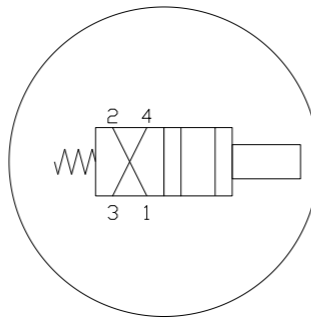
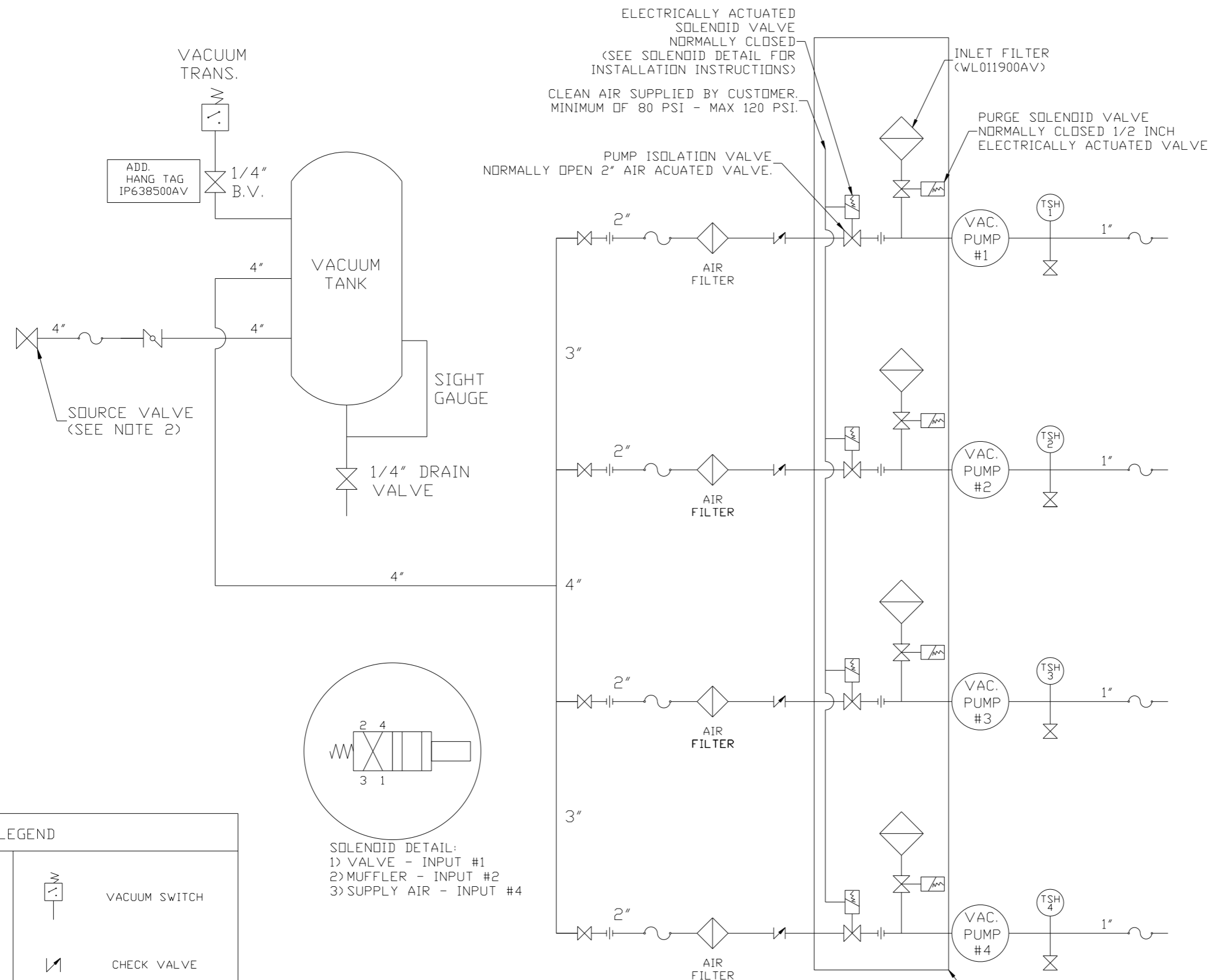
4

3

2

1

REV	ZONE	REVISION	DATE	ECN	NAME	CHKD
B-1	ALL	RELEASE TO PRODUCTION	1/23/12	PRE0003	AEK	DMS



NOTE:
 1) TSH - TEMPERATURE SWITCH HIGH
 2) PER NFPA THE SYSTEM WILL REQUIRE A SOURCE VALVE (SUPPLIED BY OTHERS).

NOTE:
 A 1/4 INCH VENT PLUG IS LOCATED IN THE FILTER HOUSING.

AUTO PURGE IS OPTIONAL

LEGEND

	TEMP. SWITCH		VACUUM SWITCH
	AIR FILTER		CHECK VALVE
	BALL VALVE		FLEX LINE
	BUTTERFLY VALVE		UNION

SYMBOL LEGEND			ADDITIONAL CONTROL REQ'D	Drawings to conform to the current revision of the following ANSI standards:
	MINUS DRAFT		BRINELL HARDNESS	Y14.3 Multi and sectional view dgs. Y14.5M Dimensioning and tolerancing
TOLERANCES NOT SPECIFIED		DO NOT SCALE DRAWING FOR DIMENSIONS		
.XX ±		AUTOCAD REL2008 LT	Sheet 2 of 2	SCALE 1:14
.XXX ±				
<Z< DEG. ±				
CONFIDENTIAL DISCLOSURE				
This drawing is the property of POWEREX, INC. of the SCOTT FETZER COMPANY and subject to return on demand. Its contents are confidential and must not be copied or submitted to outside parties for use or examination.				
DRAWN BY	CHECKED BY	ENGINEERING	MFG/MKTG	APPROVED BY
AEK	DMS	AEK	CT	
1/23/12	1/23/12	1/23/12	1/23/12	
MATERIAL		N/A		
PART NAME		QUADPLEX CLAW LAB VAC		
FLOW SCHEMATIC		LCPQ0905		
DWG NO		SIZE D		

8

7

6

5

4

3

2

1

REV	ZONE	REVISION	DATE	ECN	NAME	CHKD
B-1	ALL	RELEASE TO PRODUCTION	1/23/12	PREC003	AEK	DMS

MINIMUM RECOMMENDED
ELECTRICAL PANEL
CLEARANCE PER OSHA/ NEC

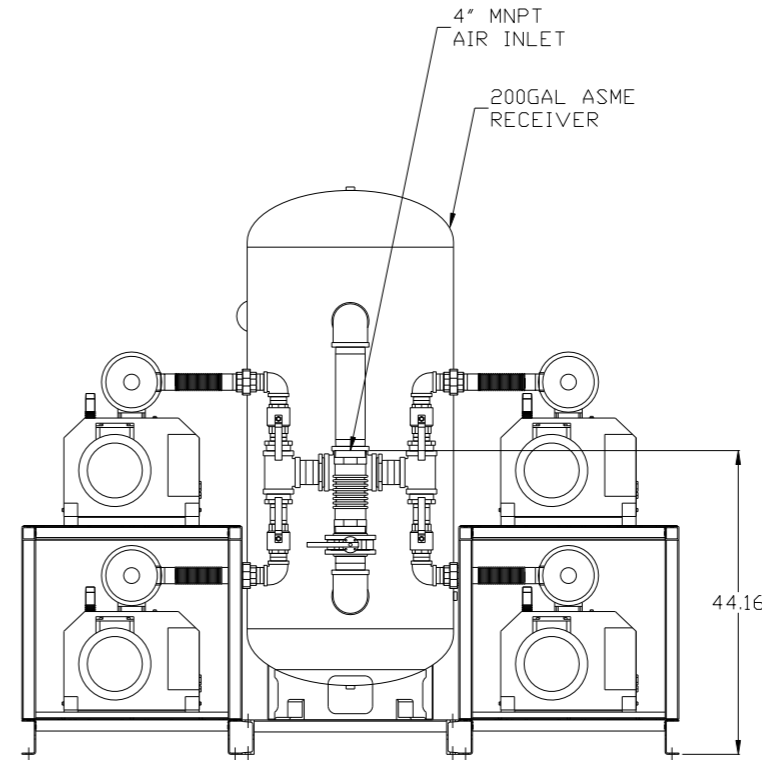
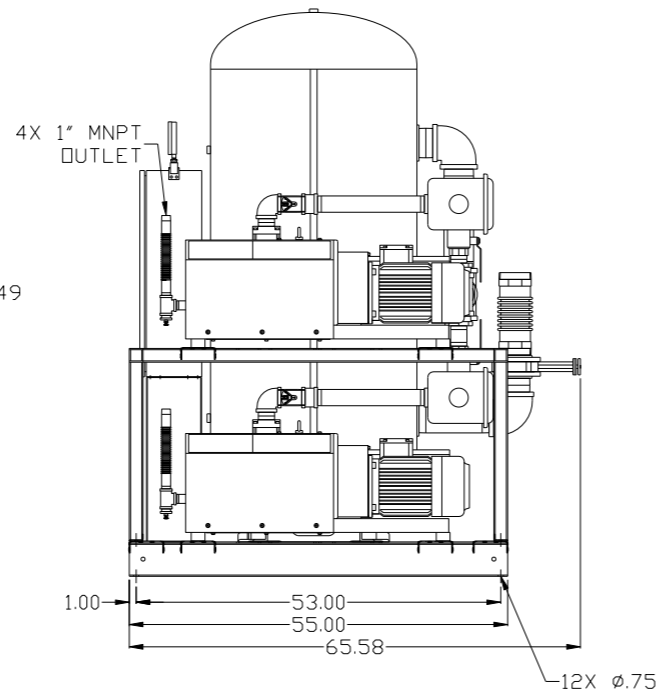
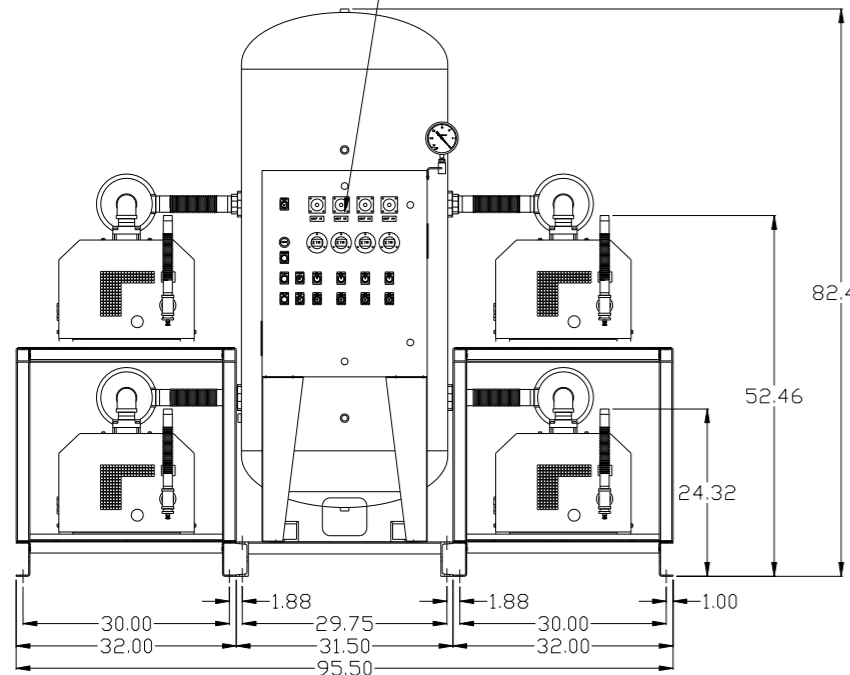
MINIMUM RECOMMENDED
MAINTENANCE CLEARANCE


BASIC
CONTROL
PANEL

4X 1" MNPT
OUTLET

4" MNPT
AIR INLET

200GAL ASME
RECEIVER



SYMBOL LEGEND		= ADDITIONAL CONTROL REQ'D		Drawings to conform to the current revision of the following ANSI standards:	
⊖	MINUS DRAFT	⊕	PLUS DRAFT	⊖	BRINELL HARDNESS
TOLERANCES NOT SPECIFIED		AUTOCAD REL2008 LT		DO NOT SCALE DRAWING FOR DIMENSIONS	
.XX ±		INCH		Sheet 1 of 2	SCALE 1:14
.XXX ±		CONFIDENTIAL DISCLOSURE		This drawing is the property of POWEREX, INC. of the SCOTT FEITZER COMPANY and subject to return on demand. Its contents are confidential and must not be copied or submitted to outside parties for use or examination.	
<Z< DEG > ±		DRAWN BY		CHECKED BY	APPROVED BY
		AEK		DMS	AEK CT
		1/23/12		1/23/12	1/23/12 1/23/12
MATERIAL		N/A		 150 PRODUCTION DRIVE, HARRISON, OHIO 45030 Ph: 888-769-7979 FAX: (513) 367-3125	
PART NAME		9. 1HP LAB VACUUM		SIZE	
		200G QUADPLEX		D	
DWG NO		LCPQ0905		LCPQ0905B.dwg	

8

7

6

5

4

3

2

1

