

REV	ZONE	REVISION	DATE	ECN	NAME	CHKD
B-1	ALL	RELEASE TO PRODUCTION	1/2/13	PHC0003	BFH	DMS

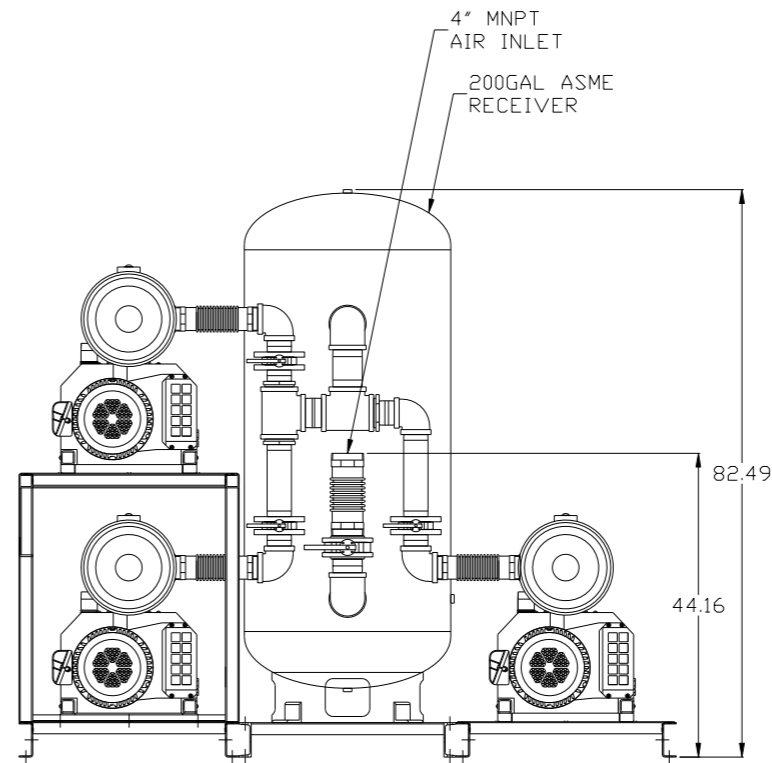
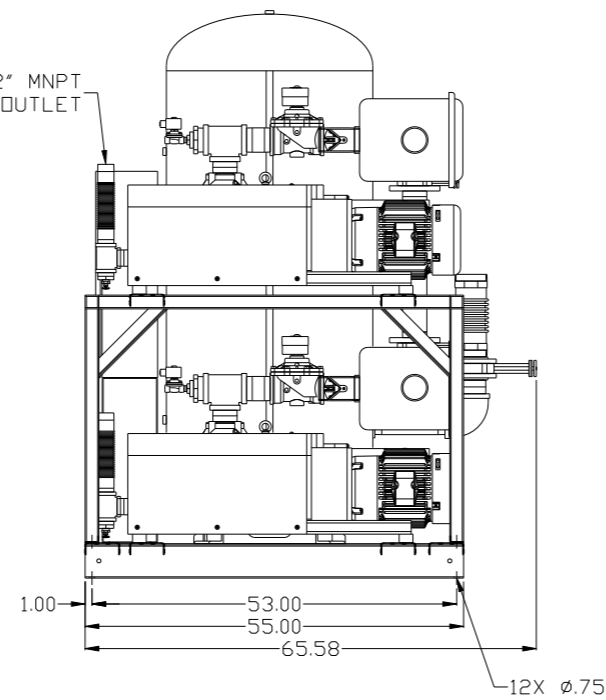
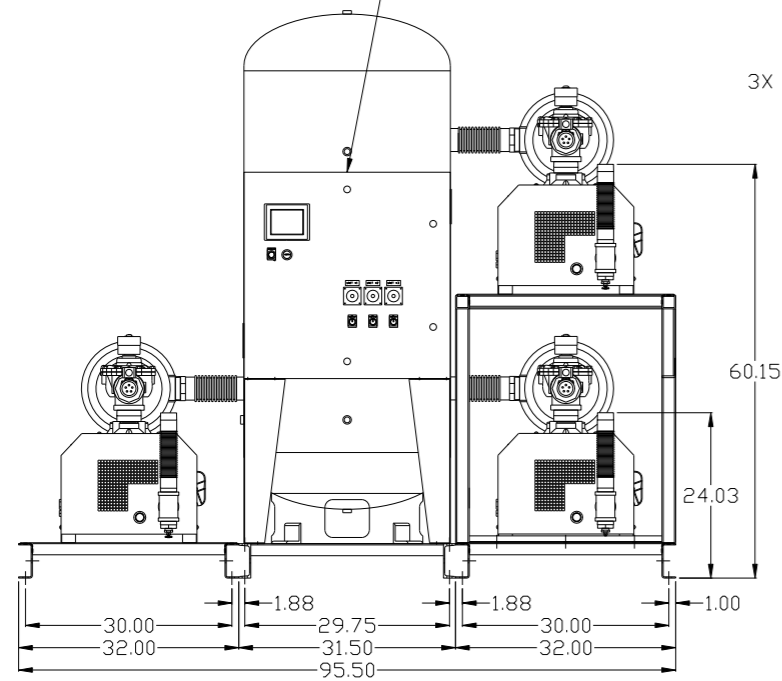
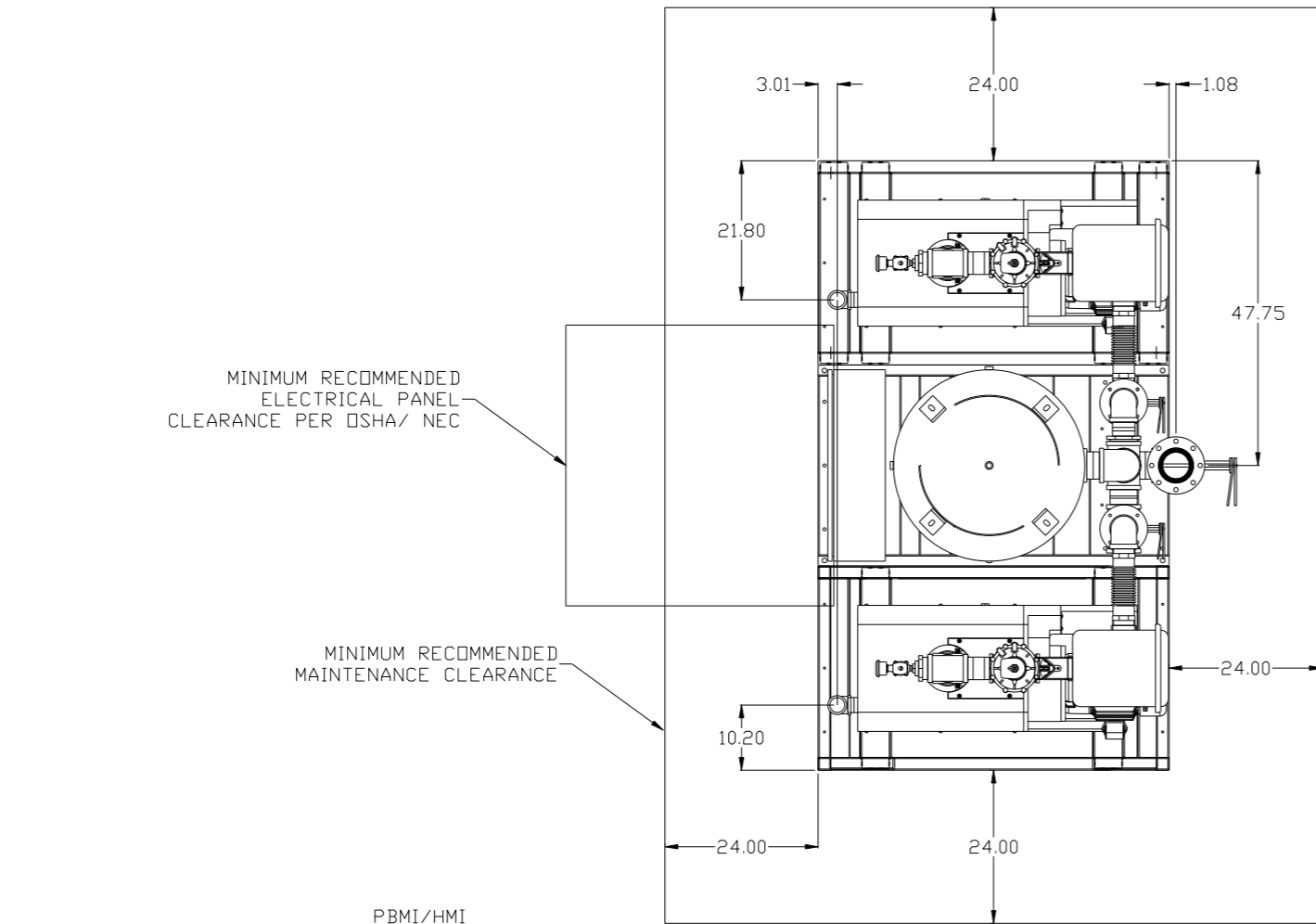
MINIMUM RECOMMENDED ELECTRICAL PANEL CLEARANCE PER OSHA/ NEC

MINIMUM RECOMMENDED MAINTENANCE CLEARANCE

PBMI/HMI CONTROL PANEL

3X 2" MNPT OUTLET

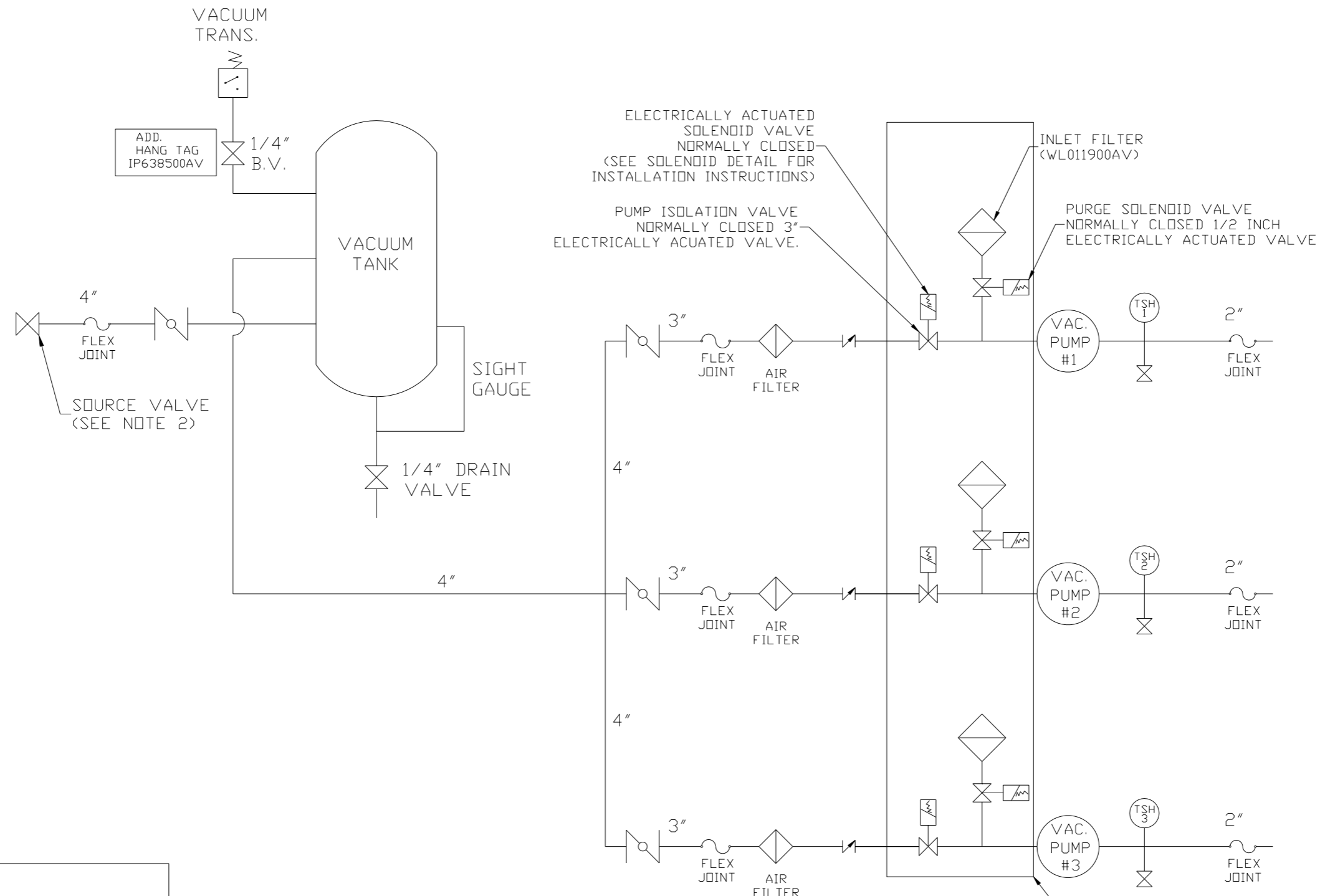
4" MNPT AIR INLET
200GAL ASME RECEIVER



NOTE: AUTO PURGE IS OPTIONAL.

SYMBOL LEGEND ⊖ = MINUS DRAFT ⊕ = PLUS DRAFT TOLERANCES NOT SPECIFIED: .XX ± .XXX ± \angle (DEG) ±		= ADDITIONAL CONTROL REQ'D = BRINELL HARDNESS		Drawings to conform to the current revision of the following ANSI standards: Y14.3 Multi and sectional view dgs. Y14.5M Dimensioning and tolerancing	
AUTOCAD REL2008 LT INCH		DO NOT SCALE DRAWING FOR DIMENSIONS Sheet 1 of 2 SCALE 1:14		CONFIDENTIAL DISCLOSURE This drawing is the property of POWEREX, INC. of the SCOTT FEITZER COMPANY and subject to return on demand. Its contents are confidential and must not be copied or submitted to outside parties for use or examination.	
DRAWN BY BFH	CHECKED BY DMS	APPROVED BY JBC	MFG/MRKTG CT	DATE 11/19/12	DATE 1/2/13
MATERIAL N/A		PART NAME 10HP LAB VACUUM 200G TRIPLEX		SIZE LCPT1005	

REV	ZONE	REVISION	DATE	ECN	NAME	CHKD
B-1	ALL	RELEASE TO PRODUCTION	1/2/13	PHC0003	BFH	DMS



ELECTRICALLY ACTUATED SOLENOID VALVE NORMALLY CLOSED (SEE SOLENOID DETAIL FOR INSTALLATION INSTRUCTIONS)

PUMP ISOLATION VALVE NORMALLY CLOSED 3\"/>

NOTE:
A 1/4 INCH VENT PLUG IS LOCATED IN THE FILTER HOUSING.

AUTO PURGE IS OPTIONAL

LEGEND

	TEMP. SWITCH		VACUUM SWITCH
	BUTTERFLY VALVE		CHECK VALVE
	AIR FILTER		FLEX LINE
	BALL VALVE		UNION

NOTE:
1) TSH - TEMPERATURE SWITCH HIGH
2) PER NFPA THE SYSTEM WILL REQUIRE A SOURCE VALVE (SUPPLIED BY OTHERS).

SYMBOL LEGEND			= ADDITIONAL CONTROL REQ'D	Drawings to conform to the current revision of the following ANSI standards: Y14.3 Multi- and sectional view dgs. Y14.5M Dimensioning and tolerancing
	= MINUS DRAFT		= BRINELL HARDNESS	
TOLERANCES NOT SPECIFIED		AUTOCAD REL2008 LT		DO NOT SCALE DRAWING FOR DIMENSIONS
.XX ±		INCH		SCALE 1:14
.XXX ±				
<Z (DEG) ±				
CONFIDENTIAL DISCLOSURE This drawing is the property of POWEREX, INC. of the SCOTT FITZGER COMPANY and subject to return on demand. Its contents are confidential and must not be copied or submitted to outside parties for use or examination.				
DRAWN BY	CHECKED BY	APPROVED BY	DATE	
BFH	DMS	JBC	CT	
11/19/12	1/2/13	1/2/13	1/2/13	
MATERIAL		N/A		
PART NAME		TRIPLEX CLAW LAB VAC FLOW SCHEMATIC		
DWG NO		LCPT1005		
SIZE		D		

8 7 6 5 4 3 2 1

8 7 6 5 4 3 2 1

REV	ZONE	REVISION	DATE	ECN	NAME	CHKD
B-1	ALL	RELEASE TO PRODUCTION	1/2/13	PRE0003	BFH	DMS

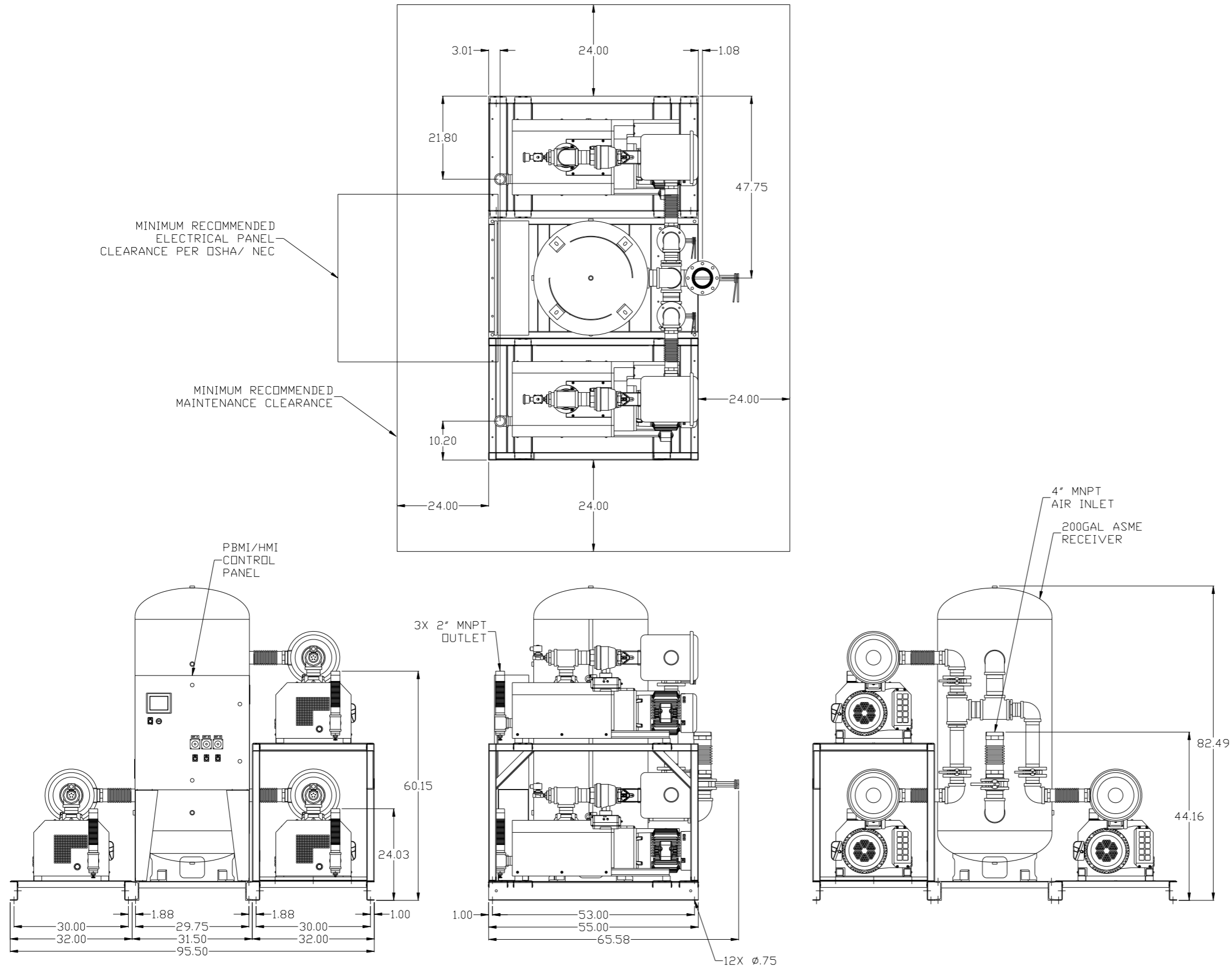
MINIMUM RECOMMENDED ELECTRICAL PANEL CLEARANCE PER OSHA/ NEC

MINIMUM RECOMMENDED MAINTENANCE CLEARANCE

PBMI/HMI CONTROL PANEL

3X 2" MNPT OUTLET

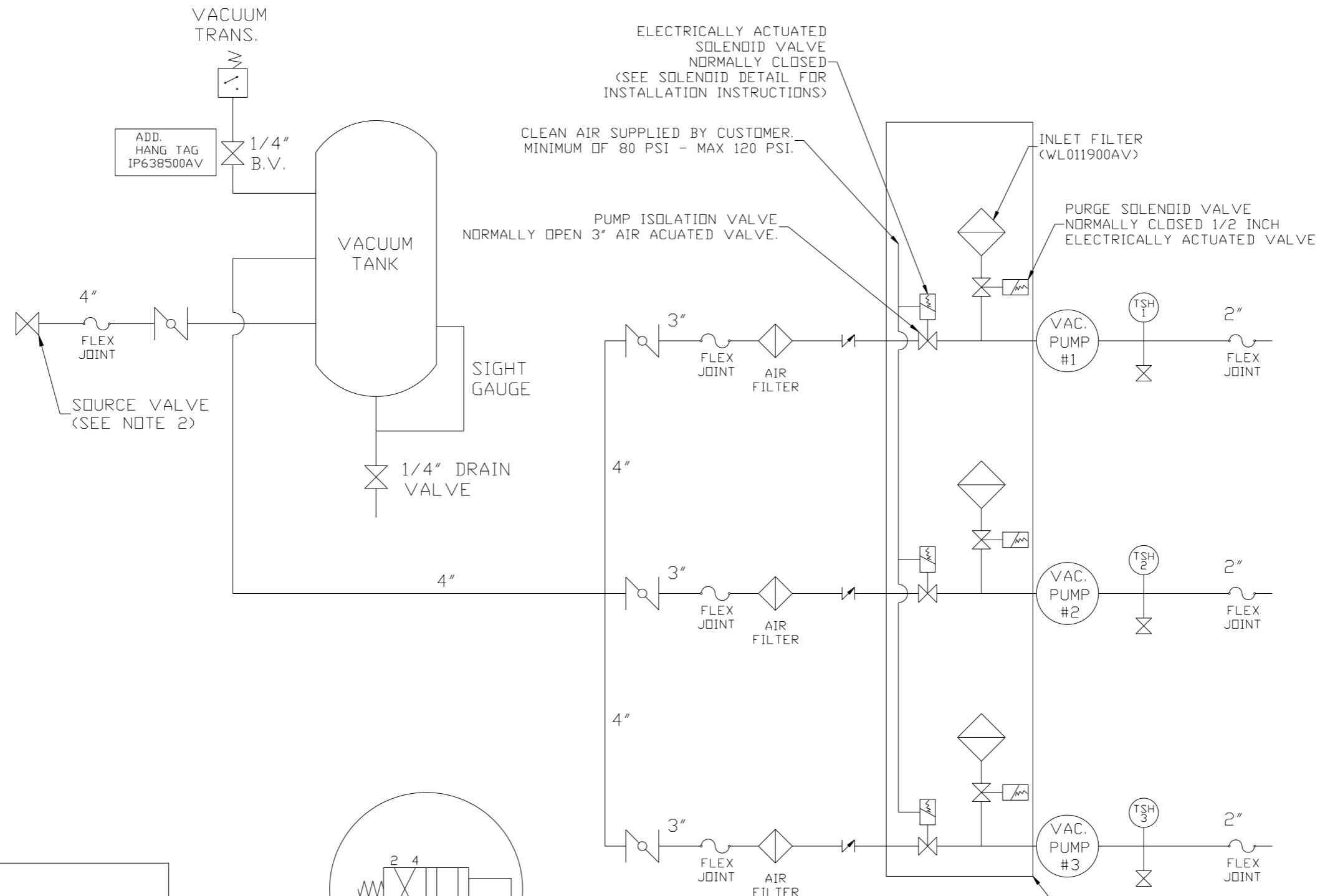
4" MNPT AIR INLET
200GAL ASME RECEIVER



NOTE: AUTO PURGE IS OPTIONAL.

SYMBOL LEGEND ⊖ = MINUS DRAFT ⊕ = PLUS DRAFT \angle (DEG) ±		= ADDITIONAL CONTROL REQ'D = BRINELL HARDNESS		Drawings to conform to the current revision of the following ANSI standards: Y14.3 Multi and sectional view dgs. Y14.5M Dimensioning and tolerancing	
TOLERANCES NOT SPECIFIED .XX ± .XXX ± \angle (DEG) ±		AUTOCAD REL2008 LT INCH		DO NOT SCALE DRAWING FOR DIMENSIONS Sheet 1 of 2 SCALE 1:14	
CONFIDENTIAL DISCLOSURE This drawing is the property of POWEREX, INC. of the SCOTT FETZER COMPANY and subject to return on demand. Its contents are confidential and must not be copied or submitted to outside parties for use or examination.					
DRAWN BY BFH		CHECKED BY DMS		APPROVED BY JBC CT	
MATERIAL N/A		DATE 11/19/12		DATE 1/2/13	
PART NAME 10HP LAB VACUUM 200G TRIPLEX		DATE 1/2/13		DATE 1/2/13	
MATERIAL N/A				POWEREX 150 PRODUCTION DRIVE, HARRISON, OHIO 45030 Ph 888-769-7979 FAX (513) 367-3125	
DWG NO LCPT1005				SIZE D	

REV	ZONE	REVISION	DATE	ECN	NAME	CHKD
B-1	ALL	RELEASE TO PRODUCTION	1/2/13	PREC003	BFH	DMS



ELECTRICALLY ACTUATED SOLENOID VALVE NORMALLY CLOSED (SEE SOLENOID DETAIL FOR INSTALLATION INSTRUCTIONS)

CLEAN AIR SUPPLIED BY CUSTOMER. MINIMUM OF 80 PSI - MAX 120 PSI.

PUMP ISOLATION VALVE NORMALLY OPEN 3\"/>

INLET FILTER (WL011900AV)

PURGE SOLENOID VALVE NORMALLY CLOSED 1/2 INCH ELECTRICALLY ACTUATED VALVE

SOURCE VALVE (SEE NOTE 2)

SIGHT GAUGE

1/4\"/>

3\"/>

FLEX JOINT

AIR FILTER

VAC. PUMP #1

TSH 1

2\"/>

FLEX JOINT

4\"/>

3\"/>

FLEX JOINT

AIR FILTER

VAC. PUMP #2

TSH 2

2\"/>

FLEX JOINT

4\"/>

3\"/>

FLEX JOINT

AIR FILTER

VAC. PUMP #3

TSH 3

2\"/>

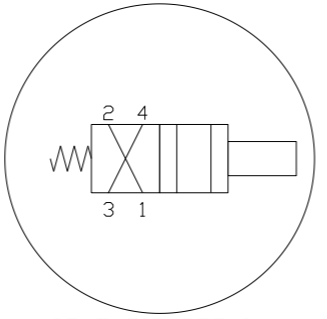
FLEX JOINT

AUTO PURGE IS OPTIONAL

NOTE: A 1/4 INCH VENT PLUG IS LOCATED IN THE FILTER HOUSING.

LEGEND

	TEMP. SWITCH		VACUUM SWITCH
	BUTTERFLY VALVE		CHECK VALVE
	AIR FILTER		FLEX LINE
	BALL VALVE		UNION



SOLENOID DETAIL:
 1) VALVE - INPUT #1
 2) MUFFLER - INPUT #2
 3) SUPPLY AIR - INPUT #4

NOTE:
 1) TSH - TEMPERATURE SWITCH HIGH
 2) PER NFPA THE SYSTEM WILL REQUIRE A SOURCE VALVE (SUPPLIED BY OTHERS).

SYMBOL LEGEND			ADDITIONAL CONTROL REQ'D	Drawings to conform to the current revision of the following ANSI standards:	
	MINUS DRAFT		BRINELL HARDNESS	Y14.3 Multi and sectional view dsgs. Y14.5M Dimensioning and tolerancing	
TOLERANCES NOT SPECIFIED		AUTOCAD REL2008 LT		DO NOT SCALE DRAWING FOR DIMENSIONS	
.XX ±		INCH		Sheet 2 of 2	SCALE 1:14
CONFIDENTIAL DISCLOSURE					
This drawing is the property of POWEREX, INC. of the SCOTT FETZER COMPANY and subject to return on demand. Its contents are confidential and must not be copied or submitted to outside parties for use or examination.					
DRAWN BY	CHECKED BY	APPROVED BY	MFG/MKTG		
BFH	DMS	JBC	CT		
11/19/12	1/2/13	1/2/13	1/2/13		
MATERIAL		N/A			
PART NAME		TRIPLEX CLAW LAB VAC FLOW SCHEMATIC			
DWG NO		LCPT1005		SIZE D	

REV	ZONE	REVISION	DATE	ECN	NAME	CHKD
B-1	ALL	RELEASE TO PRODUCTION	1/2/13	PRE0003	BFH	DMS

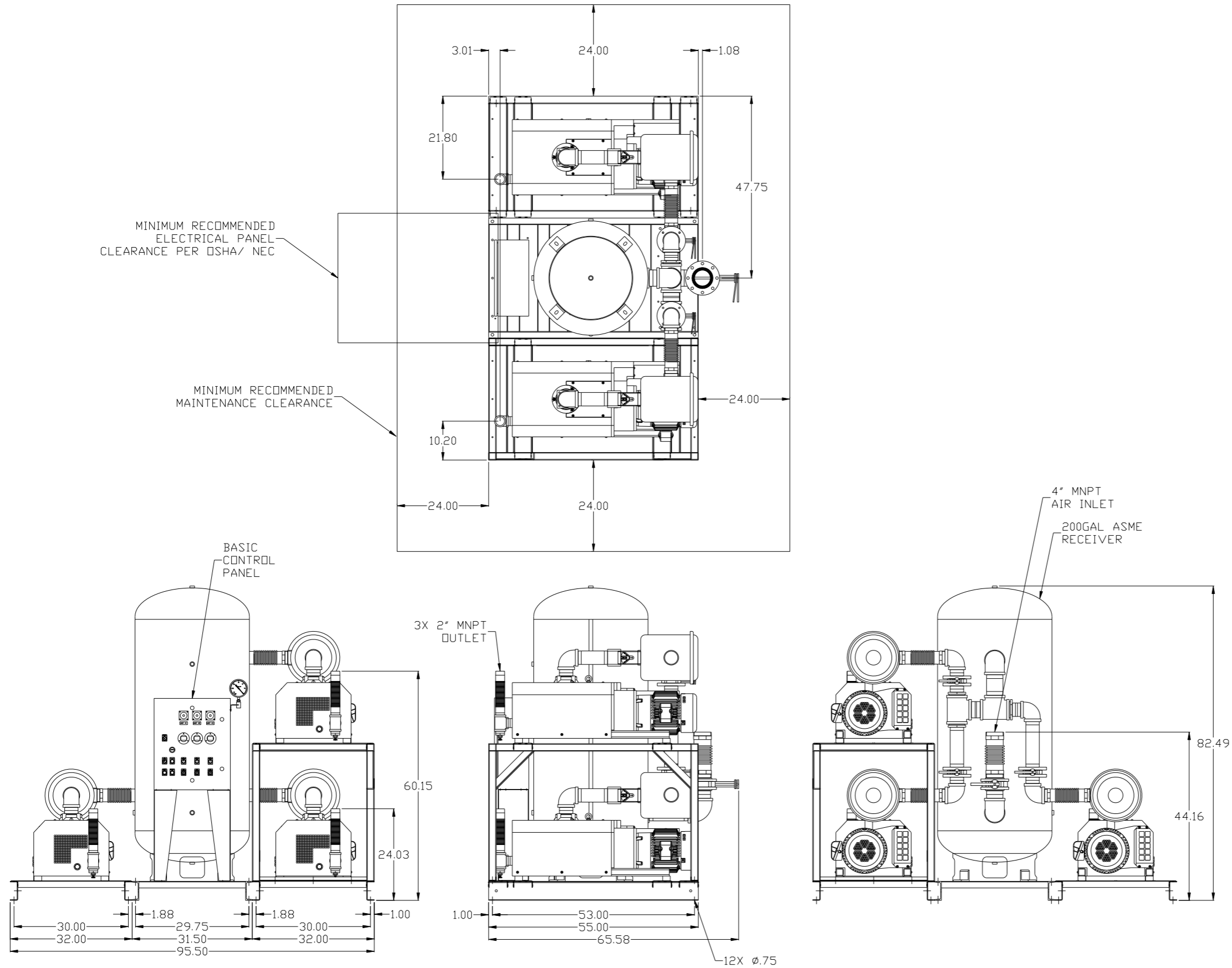
MINIMUM RECOMMENDED ELECTRICAL PANEL CLEARANCE PER OSHA/ NEC

MINIMUM RECOMMENDED MAINTENANCE CLEARANCE

BASIC CONTROL PANEL

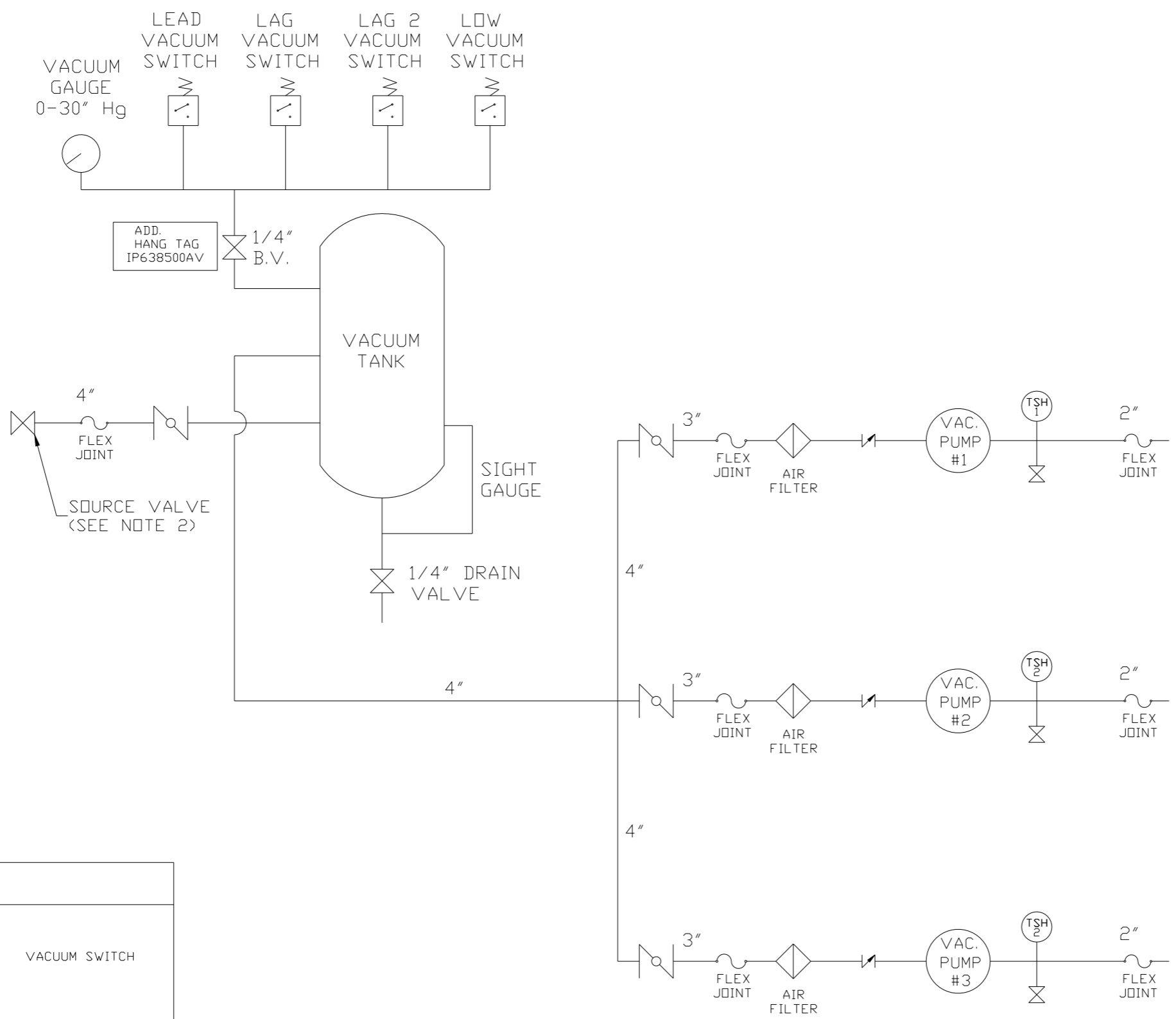
3X 2" MNPT OUTLET

4" MNPT AIR INLET
200GAL ASME RECEIVER



SYMBOL LEGEND ⊖ = MINUS DRAFT ⊕ = PLUS DRAFT $\text{XX} \pm$ $.XXX \pm$ $\angle \text{DEG} \pm$		= ADDITIONAL CONTROL REQ'D = BRINELL HARDNESS		Drawings to conform to the current revision of the following ANSI standards: Y14.3 Multi and sectional view dgs. Y14.5M Dimensioning and tolerancing	
TOLERANCES NOT SPECIFIED .XX ± .XXX ± $\angle \text{DEG} \pm$		AUTOCAD REL2008 LT INCH		DO NOT SCALE DRAWING FOR DIMENSIONS Sheet 1 of 2 SCALE 1:14	
CONFIDENTIAL DISCLOSURE This drawing is the property of POWEREX, INC. of the SCOTT FEITZER COMPANY and subject to return on demand. Its contents are confidential and must not be copied or submitted to outside parties for use or examination.					
DRAWN BY BFH		CHECKED BY DMS		APPROVED BY ENGINEERING MFG/MKTG JBC CT	
MATERIAL N/A		DATE 11/19/12		DATE 1/2/13	
PART NAME 10HP LAB VACUUM 200G TRIPLEX		DWG NO LCPT1005		SIZE D	

REV	ZONE	REVISION	DATE	ECN	NAME	CHKD
B-1	ALL	RELEASE TO PRODUCTION	1/2/13	PREC003	BFH	DMS



NOTE:
A 1/4 INCH VENT PLUG IS
LOCATED IN THE FILTER HOUSING.

NOTE:
1) TSH - TEMPERATURE SWITCH HIGH
2) PER NFPA THE SYSTEM WILL REQUIRE A SOURCE VALVE (SUPPLIED BY OTHERS).

LEGEND

	TEMP. SWITCH		VACUUM SWITCH
	BUTTERFLY VALVE		CHECK VALVE
	AIR FILTER		FLEX LINE
	BALL VALVE		UNION

SYMBOL LEGEND			ADDITIONAL CONTROL REQ'D	Drawings to conform to the current revision of the following ANSI standards:	
	MINUS DRAFT		BRINELL HARDNESS	Y14.3 Multi and sectional view dgs. Y14.5M Dimensioning and tolerancing	
TOLERANCES NOT SPECIFIED		AUTOCAD REL2008 LT		DO NOT SCALE DRAWING FOR DIMENSIONS	
.XX ±		INCH		Sheet 2 of 2	SCALE 1:14
.XXX ±					
<DEG> ±					
CONFIDENTIAL DISCLOSURE					
This drawing is the property of POWEREX, INC. of the SCOTT FETZER COMPANY and subject to return on demand. Its contents are confidential and must not be copied or submitted to outside parties for use or examination.					
DRAWN BY		CHECKED BY	APPROVED BY	MFG/MKTG	
BFH		DMS	JBC	CT	
11/19/12		1/2/13	1/2/13	1/2/13	
MATERIAL N/A					
PART NAME				SIZE	
TRIPLEX CLAW LAB VAC FLOW SCHEMATIC				D	
DWG NO				LCPT1005	