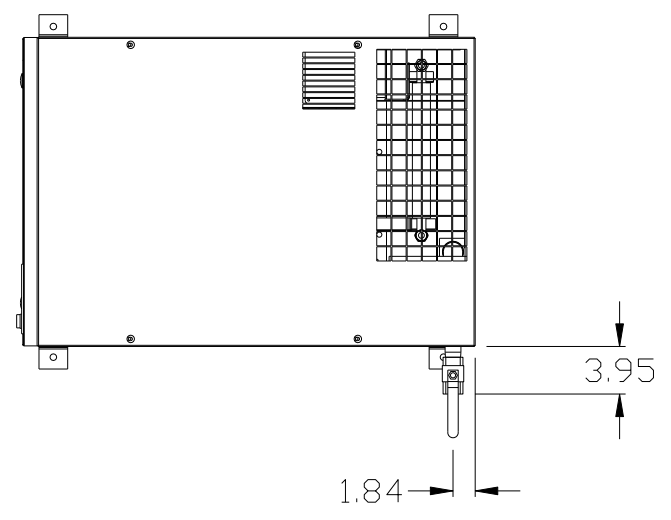
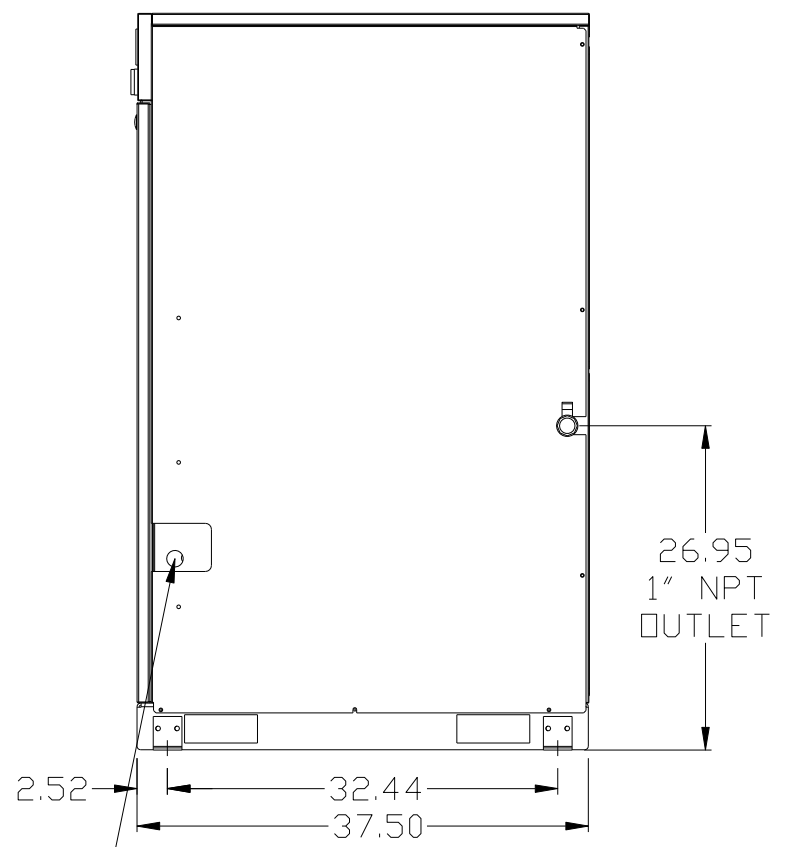
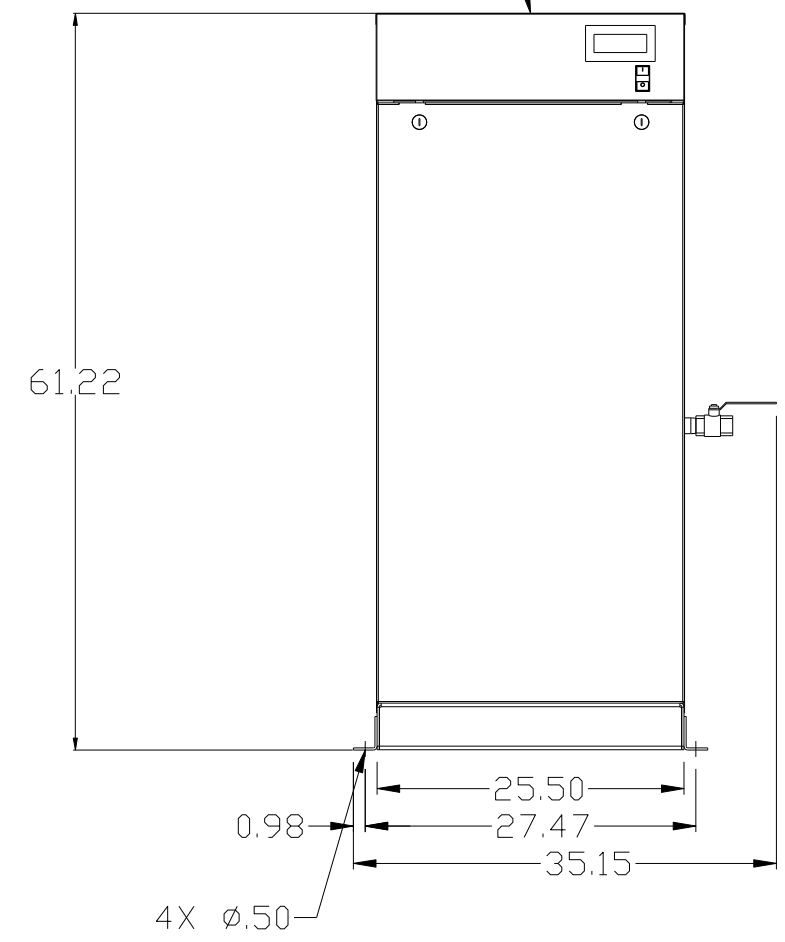


8 7 6 5 4 3 2 1

REV	ZONE	REVISION	DATE	ECN	NAME	CHKD
A-1	ALL	SUBMITTAL DRAWINGS	04/23/13	PXEC0032	RK	AEK
B-1	ALL	RELEASE FOR PRODUCTION	04/23/13	PXEC0032	RK	AEK
C-1	2,3	CONVERT TO POWEX DRYER	2/20/14	PXEC0074	RK	AEK
D-1	4	ADDED OUTLET BALL VALVE TO ENCLOSURE	6/10/15	PXEC0093	GES	AEK



SED1007 SCROLL ENCLOSURE



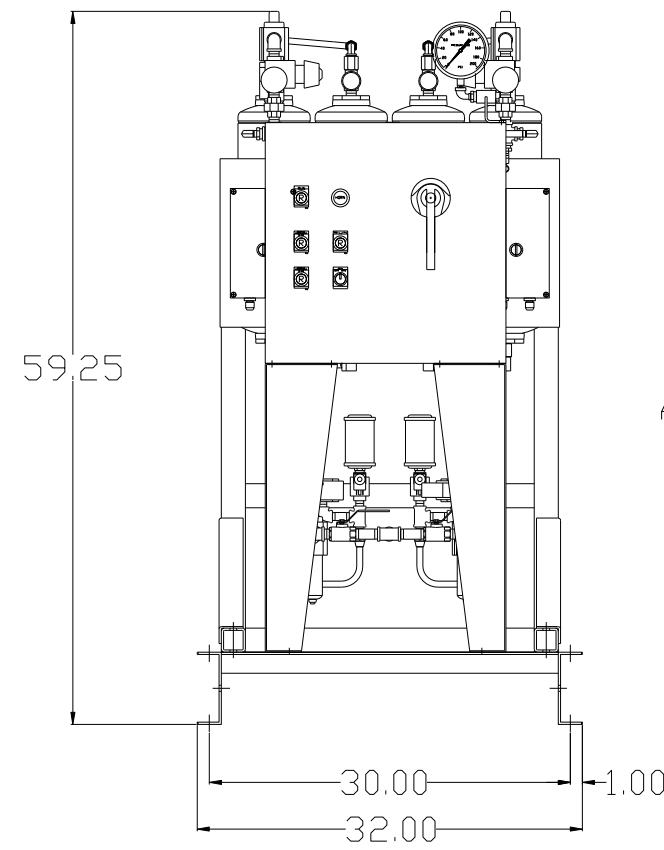
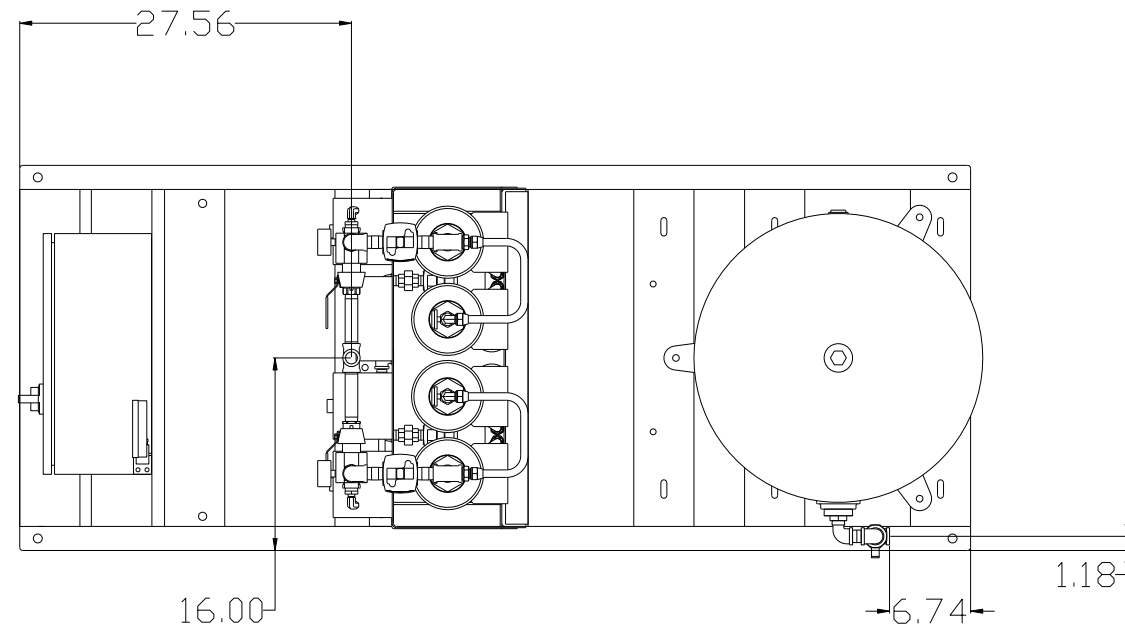
POWER IN

NOTE:
 1) SHEET 1 - SED1007 LAYOUT
 SHEET 2 - AIR TREATMENT LAYOUT
 SHEET 3 - PLAN VIEW
 SHEET 4 - FLOW SCHEMATIC

SYMBOL LEGEND ⊖ = MINUS DRAFT ⊕ = PLUS DRAFT TOLERANCES NOT SPECIFIED .XX ± .XXX ± < (DEG) ±		= ADDITIONAL CONTROL REQ'D = BRINELL HARDNESS		Drawings to conform to the current revision of the following ANSI standards Y14.3 Multi and sectional view dsgs. Y14.5M Dimensioning and tolerancing	
AUTOCAD REL2008 LT INCH		DO NOT SCALE DRAWING FOR DIMENSIONS Sheet 1 of 4 SCALE 1:8		CONFIDENTIAL DISCLOSURE This drawing is the property of POWEX, INC. of the SCOTT FETZER COMPANY and subject to return on demand. Its contents are confidential and must not be copied or submitted to outside parties for use or examination.	
DRAWN BY RK		CHECKED BY AEK		APPROVED BY ENGINEERING MFG/MRKTG JA CT	
MATERIAL N/A		DATE 4/23/13		DATE 4/23/13 4/23/13 4/23/13	
PART NAME ENCLOSED SCROLL BOGAL DUAL DESICCANT LAB PACKAGE		 150 PRODUCTION DRIVE, HARRISON, OHIO 45030 Ph 888-769-7979 FAX (513) 367-3125		DWG NO LSE1003 SIZE D	

8 7 6 5 4 3 2 1

REV	ZONE	REVISION	DATE	ECN	NAME	CHKD
A-1	ALL	SUBMITTAL DRAWINGS	04/23/13	PXEC0038	RK	AEK
B-1	ALL	RELEASE FOR PRODUCTION	04/23/13	PXEC0032	RK	AEK
C-1	2,3	CONVERT TO POWEX DRYER	2/20/14	PXEC0074	RK	AEK
D-1	4	ADDED OUTLET BALL VALVE TO ENCLOSURE	6/10/15	PXEC0093	GES	AEK



CONTROL PANEL
44.94
1/2" FNPT AIR OUTLET

2X DESICCANT DRYERS
W/ DEW POINT MONITOR,
OPTIONAL CARBON MONOXIDE MONITOR,
PRE FILTER, AFTER FILTER
& OPTIONAL CHARCOAL FILTER.

80 GAL ASME RECEIVER

1/2" FNPT
ATC SKID
INLET

29.30

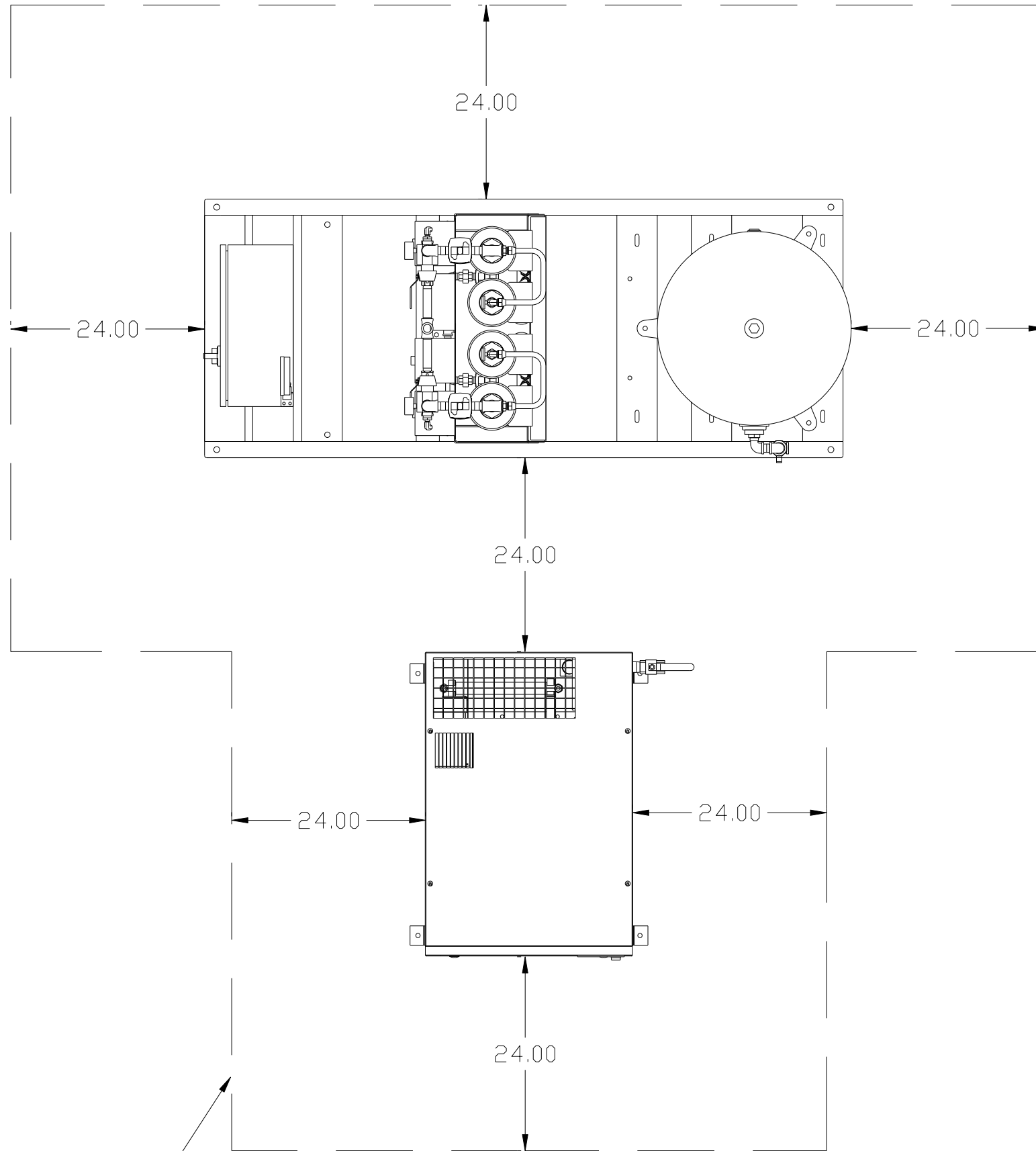
4X Ø.75

1.50
76.01
79.01
80.04

- NOTE:
1) SHEET 1 - SED1007 LAYOUT
SHEET 2 - AIR TREATMENT LAYOUT
SHEET 3 - PLAN VIEW
SHEET 4 - FLOW SCHEMATIC

SYMBOL LEGEND		= ADDITIONAL CONTROL REQ'D		Drawings to conform to the current revision of the following ANSI standards:	
⊖	MINUS DRAFT	⊕	PLUS DRAFT	⊖	BRINELL HARDNESS
TOLERANCES NOT SPECIFIED		AUTOCAD REL2008 LT		DO NOT SCALE DRAWING FOR DIMENSIONS	
.XX ±		INCH		Sheet 2 of 4	
.XXX ±				SCALE 1:8	
<<DEG>> ±					
CONFIDENTIAL DISCLOSURE This drawing is the property of POWEX, INC. of the SCOTT FETZER COMPANY and subject to return on demand. Its contents are confidential and must not be copied or submitted to outside parties for use or examination.					
DRAWN BY		CHECKED BY		APPROVED BY	
RK		AEK		JA CT	
4/23/13		4/23/13		4/23/13 4/23/13	
MATERIAL		N/A		 150 PRODUCTION DRIVE, HARRISON, OHIO 45030 Ph: 888-769-7979 FAX: (513) 367-3125	
PART NAME		ENCLOSED SCROLL		DWG NO	
BOGAL DUAL DESICCANT LAB PACKAGE				LSE1003	
				SIZE D	

REV	ZONE	REVISION	DATE	ECN	NAME	CHKD
A-1	ALL	SUBMITTAL DRAWINGS	04/23/13	PXEC0038	RK	AEK
B-1	ALL	RELEASE FOR PRODUCTION	04/23/13	PXEC0032	RK	AEK
C-1	2,3	CONVERT TO POWEX DRYER	2/20/14	PXEC0074	RK	AEK
D-1	4	ADDED OUTLET BALL VALVE TO ENCLOSURE	6/10/15	PXEC0093	GES	AEK

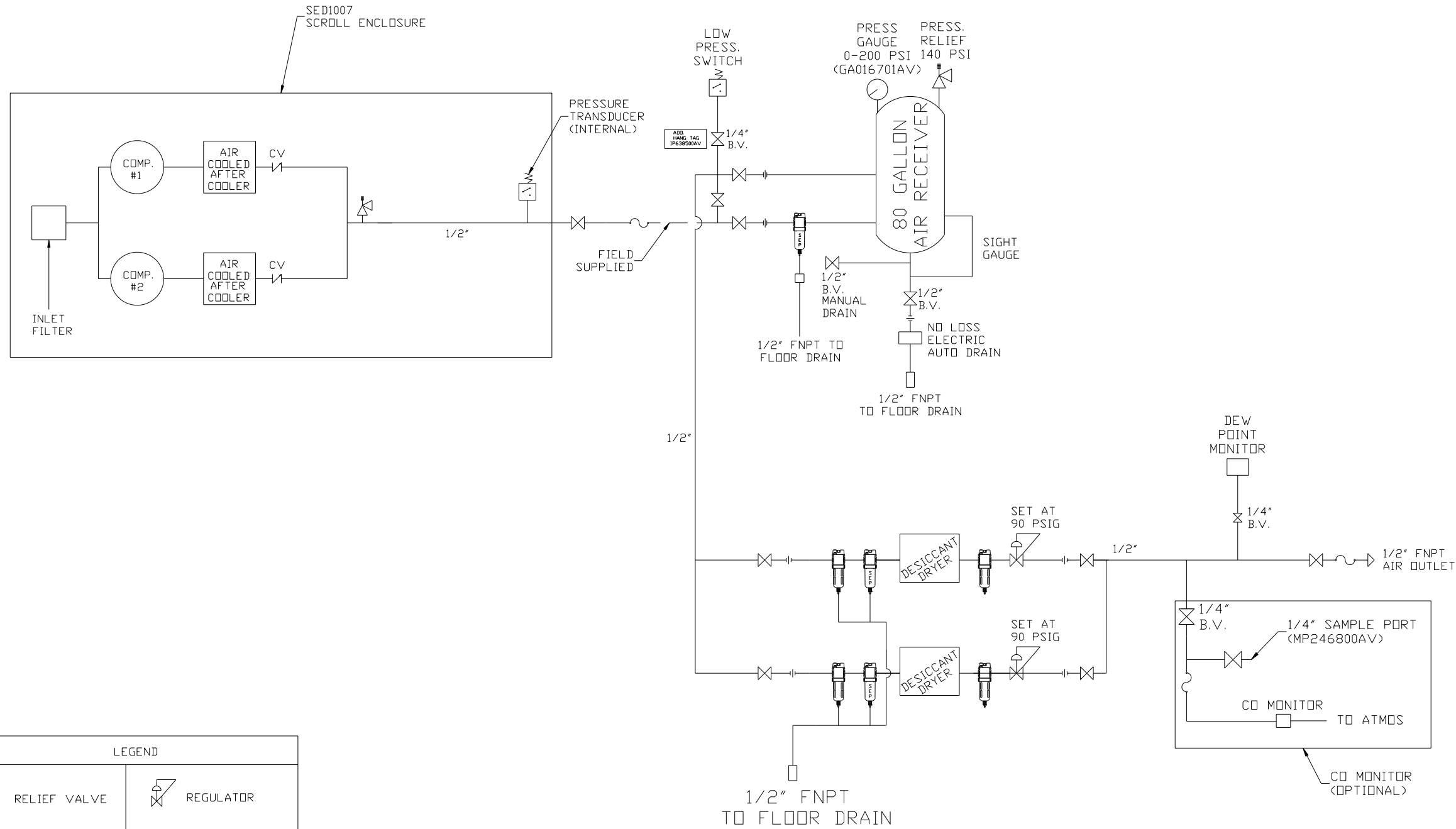


MINIMUM RECOMMENDED MAINTENANCE CLEARANCE

NOTE:
 1) SHEET 1 - SED1007 LAYOUT
 SHEET 2 - AIR TREATMENT LAYOUT
 SHEET 3 - PLAN VIEW
 SHEET 4 - FLOW SCHEMATIC

SYMBOL LEGEND ⊖ = MINUS DRAFT ⊕ = PLUS DRAFT ⊕ = ADDITIONAL CONTROL REQ'D HRC = BRINELL HARDNESS		Drawings to conform to the current revision of the following ANSI standards: Y14.3 Multi and sectional view dsgs. Y14.5M Dimensioning and tolerancing	
TOLERANCES NOT SPECIFIED .XX ± .XXX ± <DEG> ±		AUTOCAD REL2008 LT INCH DO NOT SCALE DRAWING FOR DIMENSIONS Sheet 3 of 4 SCALE 1:8	
CONFIDENTIAL DISCLOSURE This drawing is the property of POWEX, INC. of the SCOTT FETZER COMPANY and subject to return on demand. Its contents are confidential and must not be copied or submitted to outside parties for use or examination.			
DRAWN BY RK		CHECKED BY AEK	
APPROVED BY JA		MFG/MRKTG CT	
MATERIAL N/A		DATE 4/23/13 4/23/13 4/23/13 4/23/13	
PART NAME ENCLOSED SCROLL		POWEREX 150 PRODUCTION DRIVE, HARRISON, OHIO 45030 Ph: 888-769-7979 FAX: (513) 367-3125	
BOGAL DUAL DESICCANT LAB PACKAGE		DWG NO LSE1003 SIZE D	

REV	ZONE	REVISION	DATE	ECN	NAME	CHKD
A-1	ALL	SUBMITTAL DRAWINGS	04/23/13	PXEC0032	RK	AEK
B-1	ALL	RELEASE FOR PRODUCTION	04/23/13	PXEC0032	RK	AEK
C-1	2,3	CONVERT TO POWEX DRYER	2/20/14	PXEC0074	RK	AEK
D-1	4	ADDED OUTLET BALL VALVE TO ENCLOSURE	6/10/15	PXEC0093	GES	AEK



LEGEND	
	RELIEF VALVE
	INTAKE FILTER
	AIR FILTER
	CARBON FILTER
	BALL VALVE
	3 WAY VALVE
	REGULATOR
	SEPARATOR
	FLEX LINE
	HIGH TEMP SWITCH
	UNION
	CHECK VALVE

NOTE:
 1) SHEET 1 - SED1007 LAYOUT
 SHEET 2 - AIR TREATMENT LAYOUT
 SHEET 3 - PLAN VIEW
 SHEET 4 - FLOW SCHEMATIC

SYMBOL LEGEND ⊖ = MINUS DRAFT ⊕ = PLUS DRAFT		⊕ = ADDITIONAL CONTROL REQ'D ⊕ = BRINELL HARDNESS		Drawings to conform to the current revision of the following ANSI standards: Y14.3 Multi and sectional view dgs. Y14.5M Dimensioning and tolerancing	
TOLERANCES NOT SPECIFIED .XX ± .XXX ± <<DEG> ±		AUTOCAD REL2008 LT INCH		DO NOT SCALE DRAWING FOR DIMENSIONS Sheet 4 of 4 SCALE 1:8	
CONFIDENTIAL DISCLOSURE This drawing is the property of POWEX, INC. of the SCOTT FETZER COMPANY and subject to return on demand. Its contents are confidential and must not be copied or submitted to outside parties for use or examination.					
DRAWN BY RK		CHECKED BY AEK		APPROVED BY ENGINEERING MFG/MRKTG JA CT	
MATERIAL N/A				150 PRODUCTION DRIVE, HARRISON, OHIO 45030 Ph: 888-769-7979 FAX: (513) 367-3125	
PART NAME ENCLOSED SCROLL FLOW SCHEMATIC		DWG NO LSE1003		SIZE D	