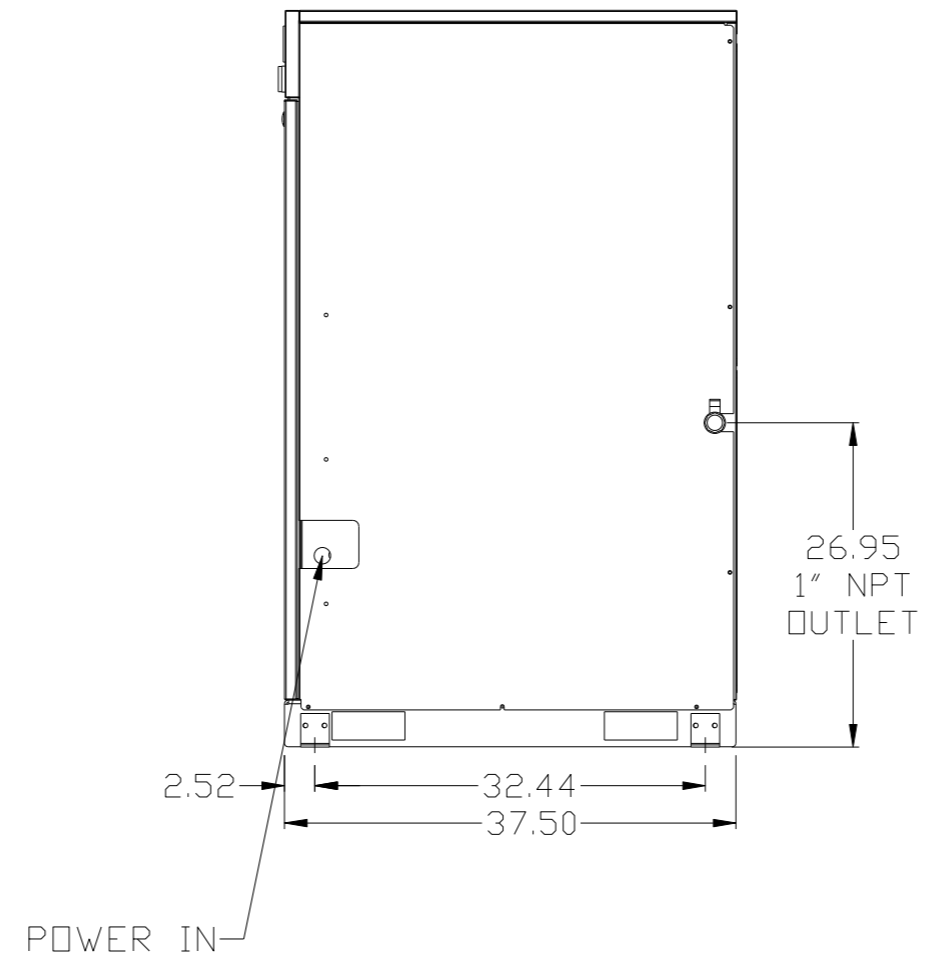
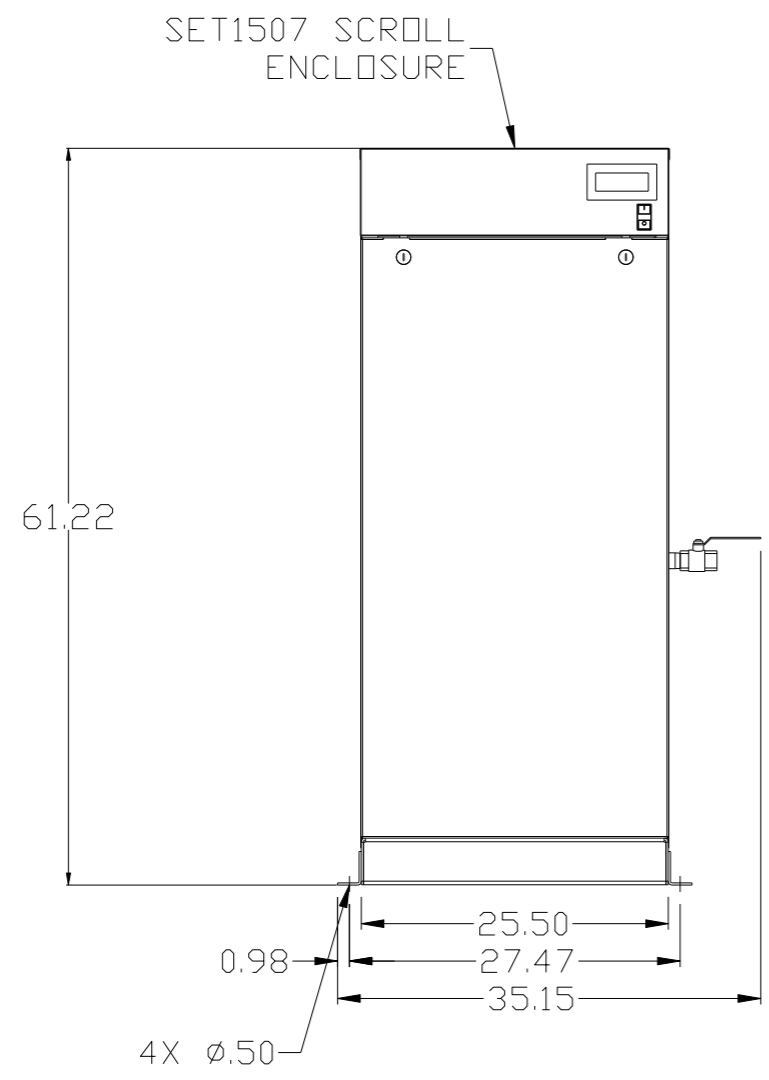
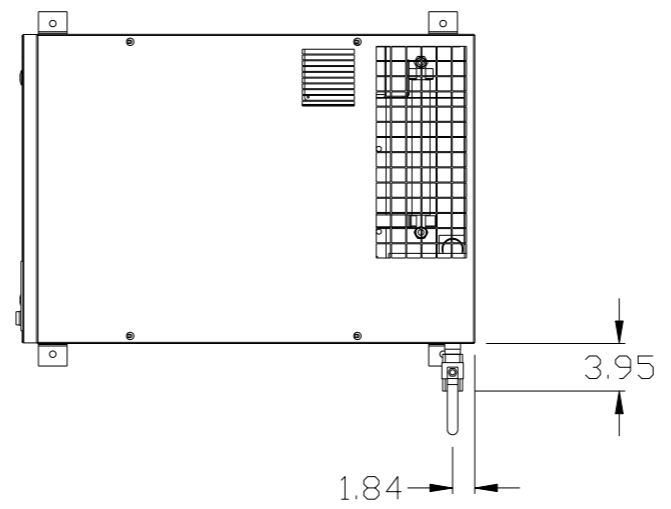


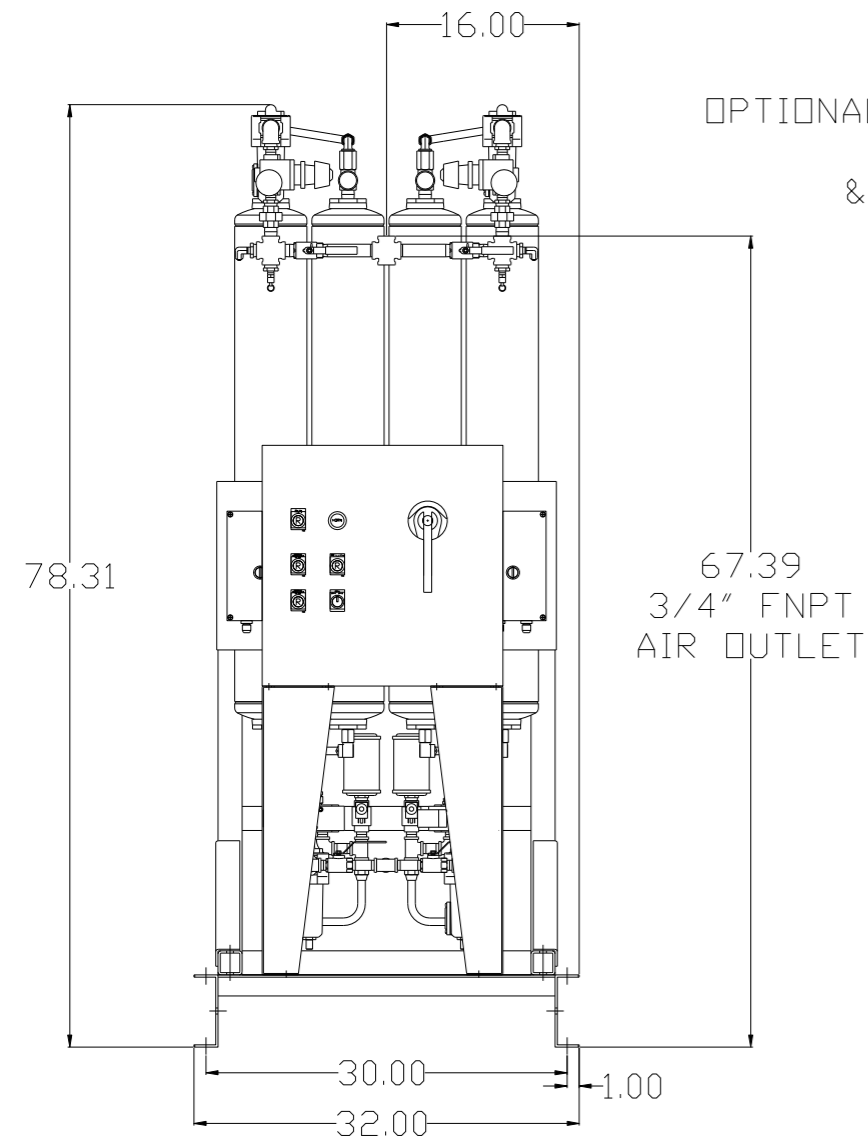
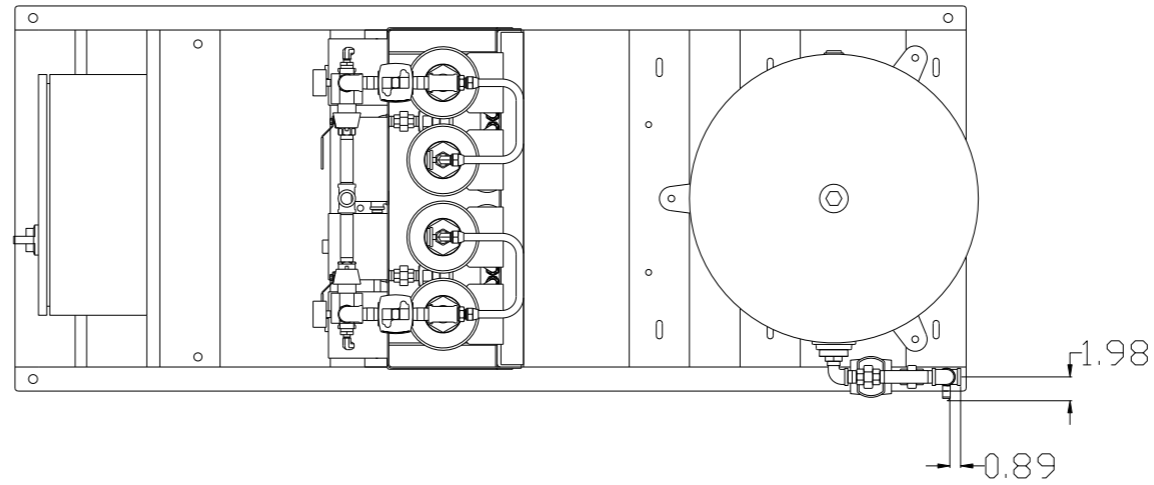
REV	ZONE	REVISION	DATE	ECN	NAME	CHKD
A-1	ALL	SUBMITTAL DRAWINGS	4/23/13	PXEC0032	RK	AEK
B-1	ALL	RELEASE FOR PRODUCTION	04/23/13	PXEC0032	RK	AEK
C-1	2,3	CONVERT TO POWEX DRYER	2/20/14	PXEC0074	RK	AEK
D-1	ALL	UPDATED FLOW TO CURRENT PRODUCTION	5/19/15	PXEC0093	AEK	GES
E-1	4 C6	ADDED OUTLET BALL VALVE TO ENCLOSURE	6/10/15	PXEC0093	AEK	GES



NOTE:  
 1) SHEET 1 - SET1507 LAYOUT  
 SHEET 2 - AIR TREATMENT LAYOUT  
 SHEET 3 - PLAN VIEW  
 SHEET 4 - FLOW SCHEMATIC

<b>SYMBOL LEGEND</b> ⊖ = MINUS DRAFT    ⊕ = PLUS DRAFT ⊕ = ADDITIONAL CONTROL REQ'D HRC = BRINELL HARDNESS		Drawings to conform to the current revision of the following ANSI standards: Y14.3 Multi and sectional view dsgs. Y14.5M Dimensioning and tolerancing	
TOLERANCES NOT SPECIFIED .XX ± .XXX ± <DEG> ±		<b>DO NOT SCALE DRAWING FOR DIMENSIONS</b> INCH Sheet 1 of 4 SCALE 1:8	
<b>CONFIDENTIAL DISCLOSURE</b> This drawing is the property of POWEX, INC. of the SCOTT FETZER COMPANY and subject to return on demand. Its contents are confidential and must not be copied or submitted to outside parties for use or examination.		DRAWN BY: RK CHECKED BY: AEK APPROVED BY: ENGINEERING MFG/MRKTG: JA CT 4/23/13 4/23/13 4/23/13 4/23/13	
MATERIAL: N/A		 150 PRODUCTION DRIVE, HARRISON, OHIO 45030 Ph: 888-769-7979 FAX: (513) 367-3125	
PART NAME: 15HP ENCLOSED SCROLL 120GAL DUAL DESICCANT LAB PACKAGE		DWG NO: LSE1504 SIZE: D	

REV	ZONE	REVISION	DATE	ECN	NAME	CHKD
A-1	ALL	SUBMITTAL DRAWINGS	4/23/13	PXEC0032	RK	AEK
B-1	ALL	RELEASE FOR PRODUCTION	04/23/13	PXEC0032	RK	AEK
C-1	2,3	CONVERT TO POWEX DRYER	2/20/14	PXEC0074	RK	AEK
D-1	ALL	UPDATED FLOW TO CURRENT PRODUCTION	5/19/15	PXEC0093	AEK	GES
E-1	4 C6	ADDED OUTLET BALL VALVE TO ENCLOSURE	6/10/15	PXEC0093	AEK	GES



2X DESICCANT DRYERS  
W/ DEW POINT MONITOR,  
OPTIONAL CARBON MONOXIDE MONITOR,  
PRE FILTER, AFTER FILTER  
& OPTIONAL CHARCOAL FILTER.

CONTROL  
PANEL

120 GAL ASME RECEIVER  
INTERNALLY LINED

3/4" FNPT  
ATC INLET

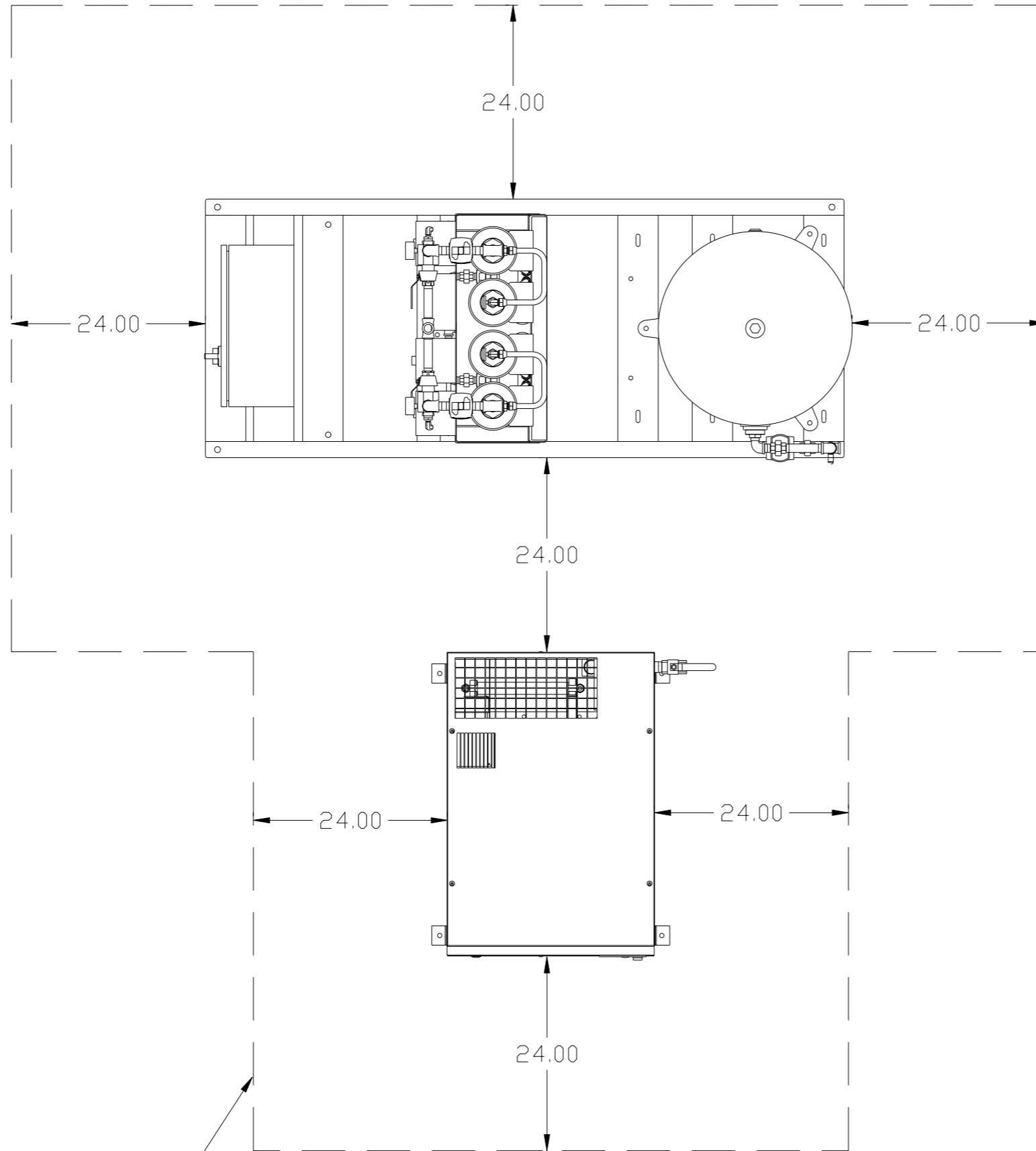
NOTE:

- 1) SHEET 1 - SET1507 LAYOUT
- SHEET 2 - AIR TREATMENT LAYOUT
- SHEET 3 - PLAN VIEW
- SHEET 4 - FLOW SCHEMATIC



SYMBOL LEGEND		= ADDITIONAL CONTROL REQ'D		Drawings to conform to the current revision of the following ANSI standards	
⊖	MINUS DRAFT	⊕	PLUS DRAFT	⊖	BRINELL HARDNESS
TOLERANCES NOT SPECIFIED		AUTOCAD REL2008 LT		DO NOT SCALE DRAWING FOR DIMENSIONS	
.XX ±		INCH		Sheet 2 of 4	SCALE 1:8
CONFIDENTIAL DISCLOSURE This drawing is the property of POWEX, INC. of the SCOTT FETZER COMPANY and subject to return on demand. Its contents are confidential and must not be copied or submitted to outside parties for use or examination.					
DRAWN BY		CHECKED BY		APPROVED BY	
RK		AEK		JA CT	
4/23/13		4/23/13		4/23/13 4/23/13	
MATERIAL		N/A			
PART NAME		15HP ENCLOSED SCROLL		DWG NO	
120GAL DUAL DESICCANT LAB PACKAGE		LSE1504		SIZE D	

REV	ZONE	REVISION	DATE	ECN	NAME	CHKD
A-1	ALL	SUBMITTAL DRAWINGS	4/23/13	PXEC0032	RK	AEK
B-1	ALL	RELEASE FOR PRODUCTION	04/23/13	PXEC0032	RK	AEK
C-1	2,3	CONVERT TO POWEX DRYER	2/20/14	PXEC0074	RK	AEK
D-1	ALL	UPDATED FLOW TO CURRENT PRODUCTION	5/19/15	PXEC0093	AEK	GES
E-1	4 C6	ADDED OUTLET BALL VALVE TO ENCLOSURE	6/10/15	PXEC0093	AEK	GES

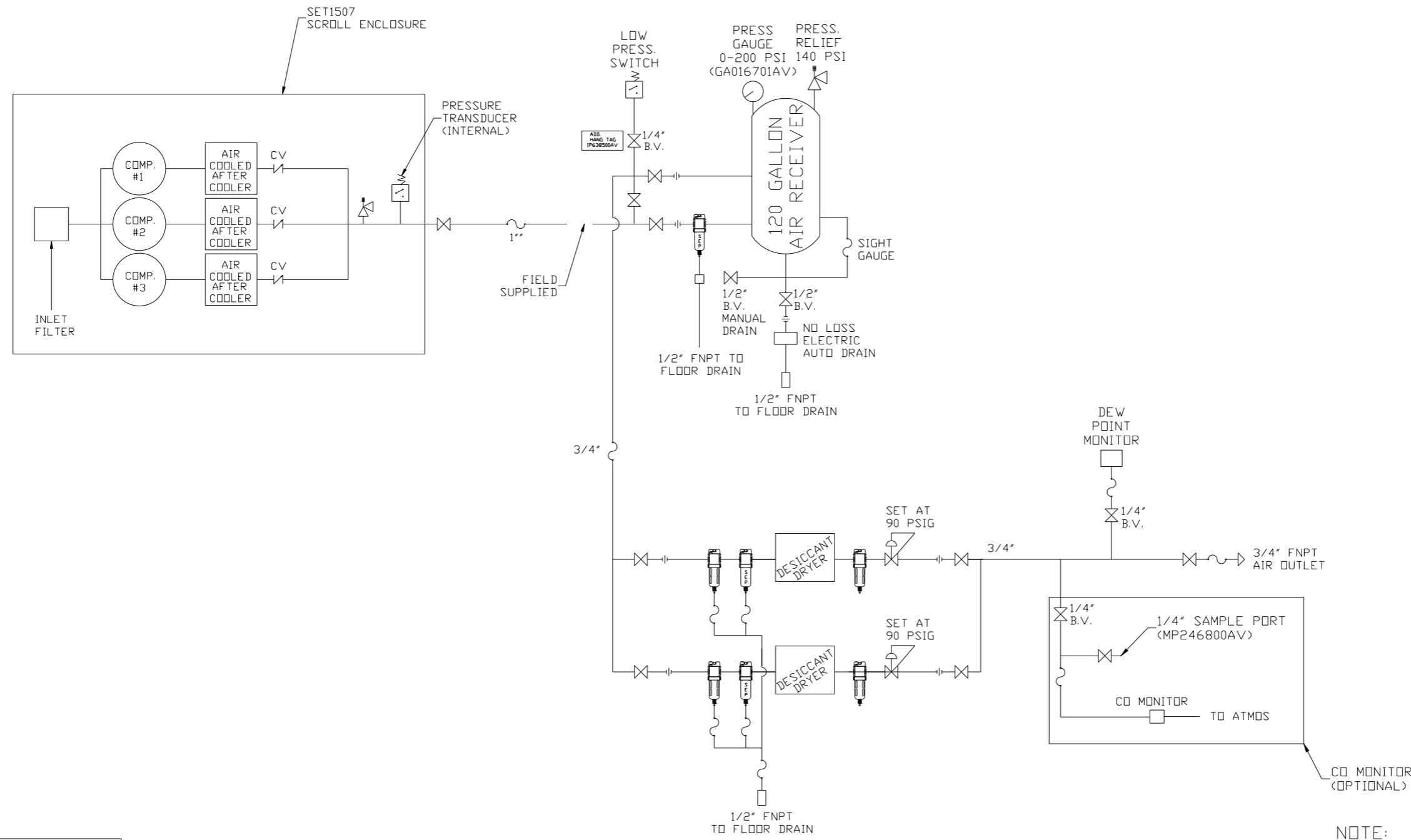


MINIMUM RECOMMENDED MAINTENANCE CLEARANCE

NOTE:  
 1) SHEET 1 - SET1507 LAYOUT  
 SHEET 2 - AIR TREATMENT LAYOUT  
 SHEET 3 - PLAN VIEW  
 SHEET 4 - FLOW SCHEMATIC

<b>SYMBOL LEGEND</b> ⊖ = MINUS DRAFT ⊕ = PLUS DRAFT ⊕ = BRINELL HARDNESS		= ADDITIONAL CONTROL REQ'D = BRINELL HARDNESS		Drawings to conform to the current revision of the following ANSI standards: Y14.3 Multi and sectional view dsgs. Y14.5M Dimensioning and tolerancing	
TOLERANCES NOT SPECIFIED .XX ± .XXX ± <DEG> ±		AUTOCAD REL2008 LT INCH		DO NOT SCALE DRAWING FOR DIMENSIONS SCALE 1:8 Sheet 3 of 4	
<b>CONFIDENTIAL DISCLOSURE</b> This drawing is the property of POWEX, INC. of the SCOTT FETZER COMPANY and subject to return on demand. Its contents are confidential and must not be copied or submitted to outside parties for use or examination.		DRAWN BY RK	CHECKED BY AEK	APPROVED BY ENGINEERING JA	MFG/MKTG CT
MATERIAL N/A		4/23/13	4/23/13	4/23/13	4/23/13
PART NAME 15HP ENCLOSED SCROLL 120GAL DUAL DESICCANT LAB PACKAGE		 150 PRODUCTION DRIVE, HARRISON, OHIO 45030 Ph: 888-769-7979 FAX: (513) 367-3125		DWG NO LSE1504	SIZE D

REV	ZONE	REVISION	DATE	ECN	NAME	CHKD
A-1	ALL	SUBMITTAL DRAWINGS	4/23/13	PXEC0032	RK	AEK
B-1	ALL	RELEASE FOR PRODUCTION	04/23/13	PXEC0032	RK	AEK
C-1	2,3	CONVERT TO POWEX DRYER	2/20/14	PXEC0074	RK	AEK
D-1	ALL	UPDATED FLOW TO CURRENT PRODUCTION	5/19/15	PXEC0093	AEK	GES
E-1	4	ADDED OUTLET BALL VALVE TO ENCLOSURE	6/10/15	PXEC0093	AEK	GES



LEGEND	
	RELIEF VALVE
	INTAKE FILTER
	AIR FILTER
	CARBON FILTER
	BALL VALVE
	3 WAY VALVE
	REGULATOR
	SEPARATOR
	FLEX LINE
	HIGH TEMP SWITCH
	UNION
	CHECK VALVE

NOTE:  
 1) SHEET 1 - SET1507 LAYOUT  
 SHEET 2 - AIR TREATMENT LAYOUT  
 SHEET 3 - PLAN VIEW  
 SHEET 4 - FLOW SCHEMATIC

SYMBOL LEGEND		= ADDITIONAL CONTROL = REQ'D = BRINELL HARDNESS		Drawings to conform to the current revision of the following ANSI standards: Y14.3 Multi and sectional view dgs. Y14.5M Dimensioning and tolerancing
TOLERANCES NOT SPECIFIED	AUTOCAD REL2008 LT	DO NOT SCALE DRAWING FOR DIMENSIONS		SCALE
.XX ±	INCH	Sheet 4 of 4		1:8
.XXX ±		CONFIDENTIAL DISCLOSURE This drawing is the property of POWEX, INC. of the SCOTT FETZER COMPANY and subject to return on demand. Its contents are confidential and must not be copied or submitted to outside parties for use or examination.		
<<DEG>> ±		DRAWN BY	CHECKED BY	APPROVED BY
		RK	AEK	JA CT
		4/23/13	4/23/13	4/23/13 4/23/13
MATERIAL	N/A	 150 PRODUCTION DRIVE, HARRISON, OHIO 45030 Ph: 888-769-7979 FAX: (513) 367-3125		
PART NAME	ENCLOSED SCROLL FLOW SCHEMATIC	DWG NO	LSE1504	SIZE D