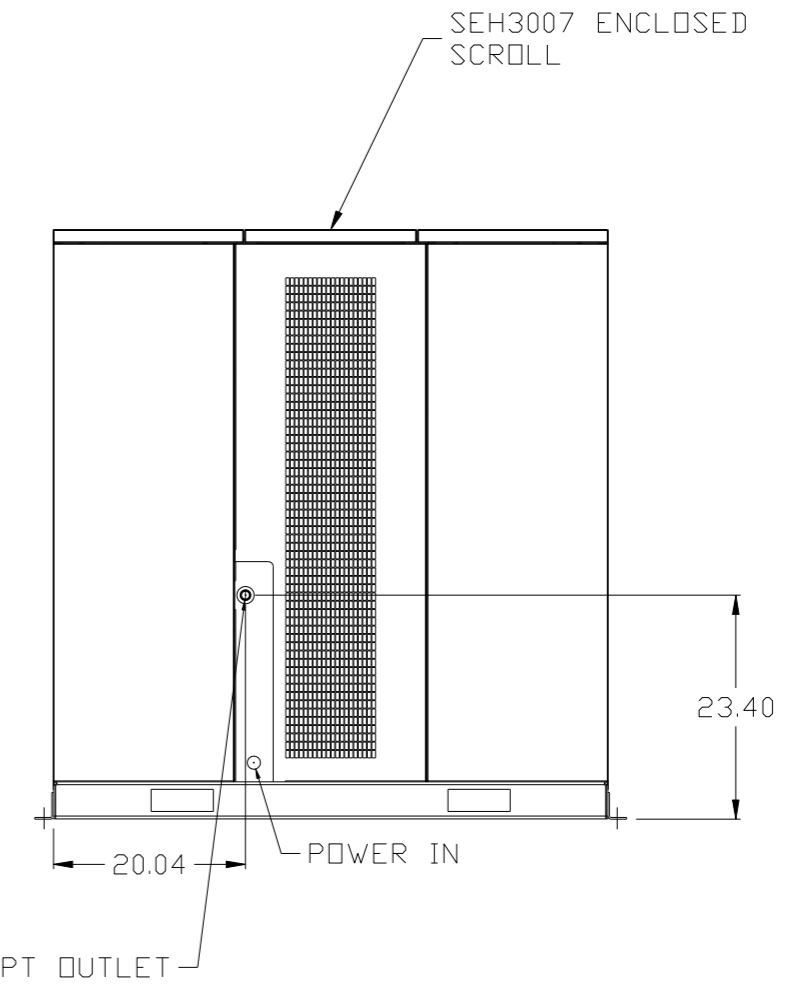
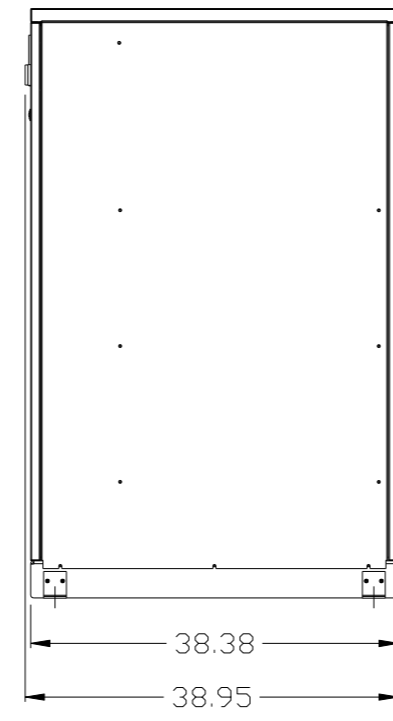
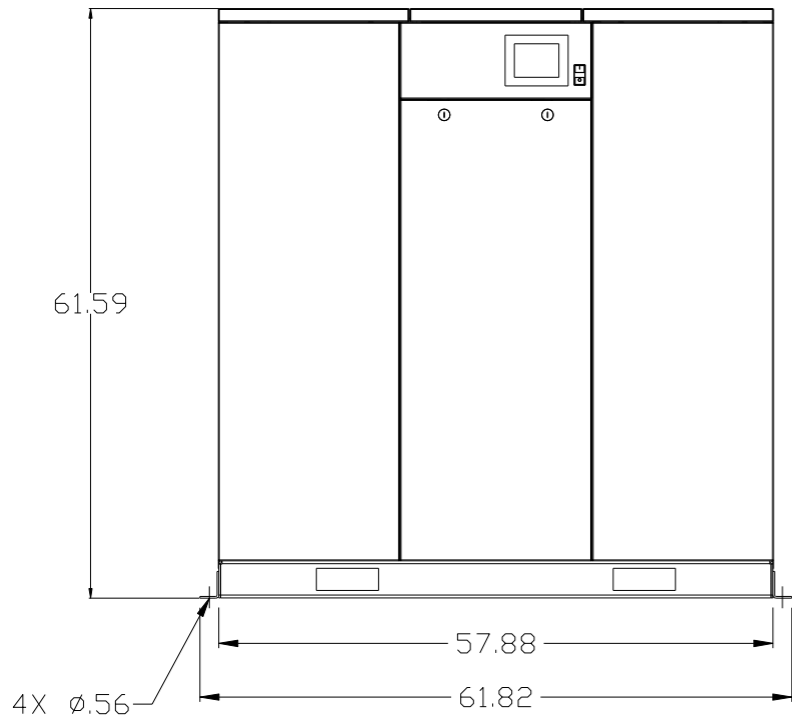
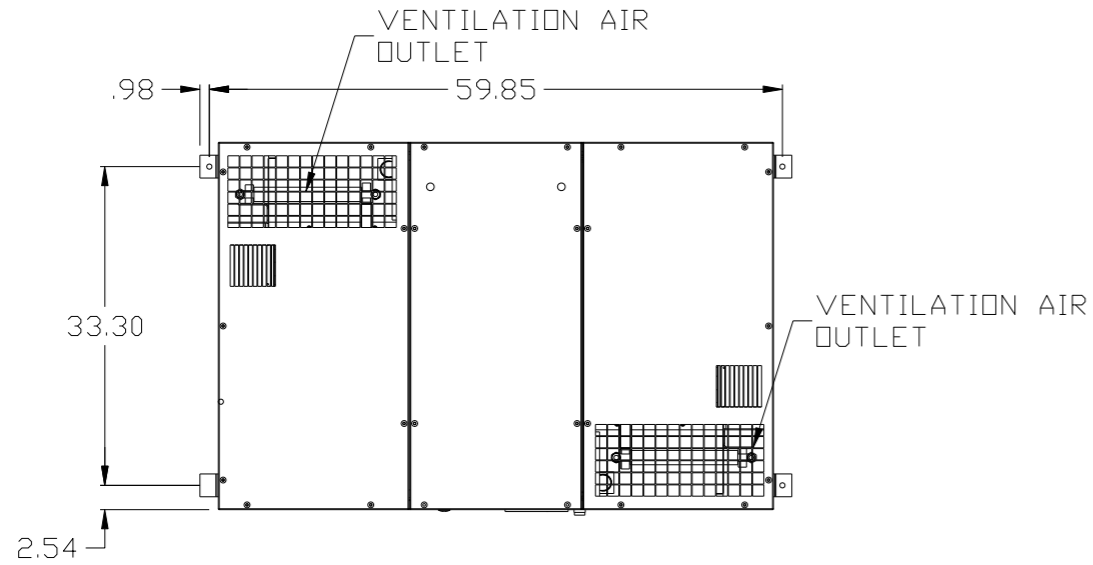


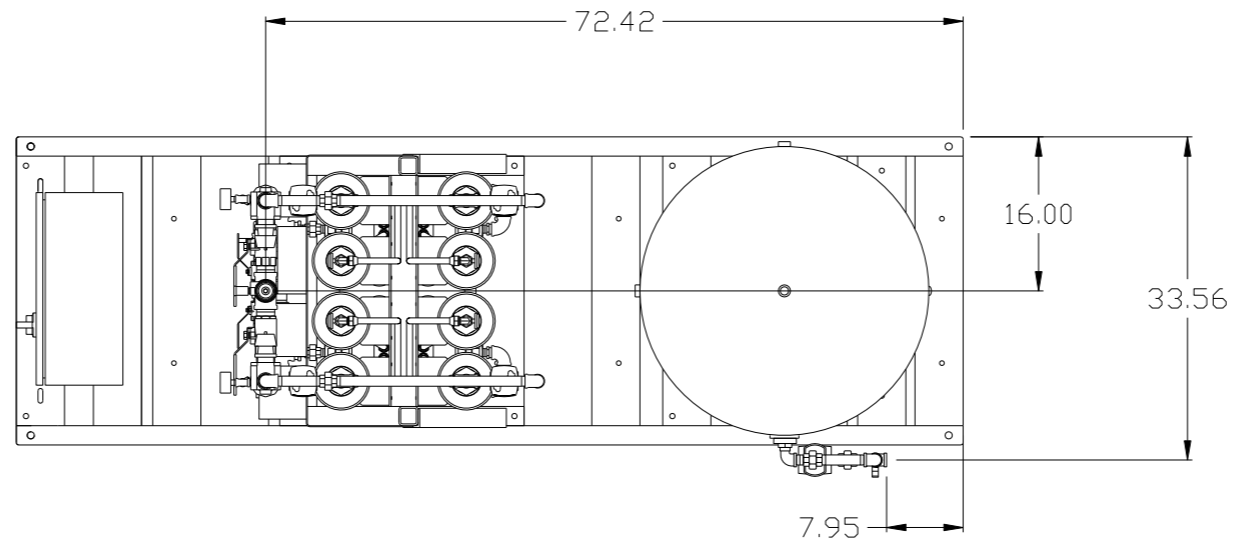
REV	ZONE	REVISION	DATE	ECN	NAME	CHKD
A-1	ALL	SUBMITTAL DRAWINGS	4/23/13	PXEC0032	RK	AEK
B-1	ALL	RELEASE FOR PRODUCTION	04/23/13	PXEC0032	RK	AEK
C-1	E,3	CONVERT TO POWEREX DRYER	2/20/14	PXEC0074	RK	AEK
D-1	E,3	UPDATED DRYER OUTLET ORIENTATION	4/1/15	PXEC0100	AEK	GES



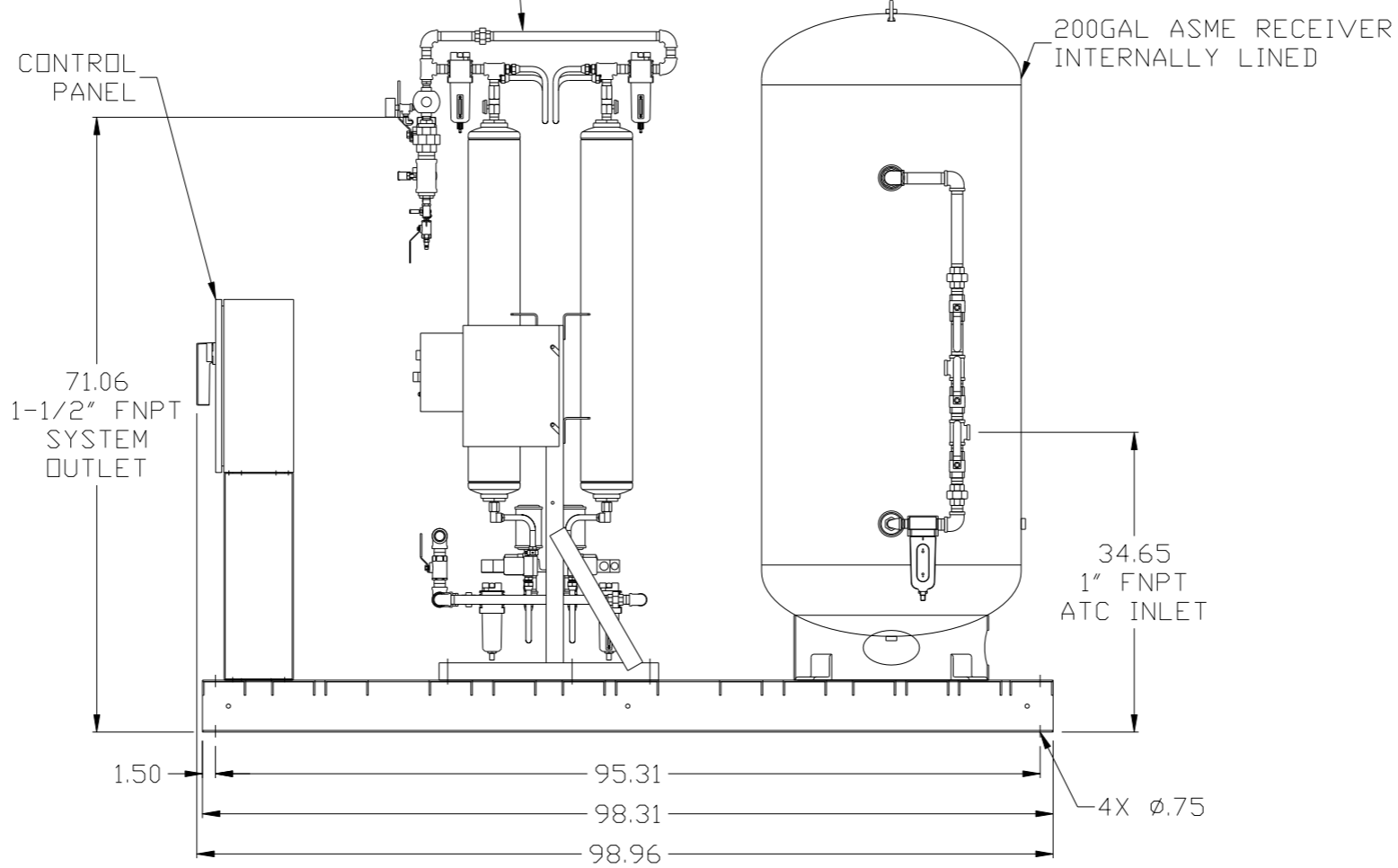
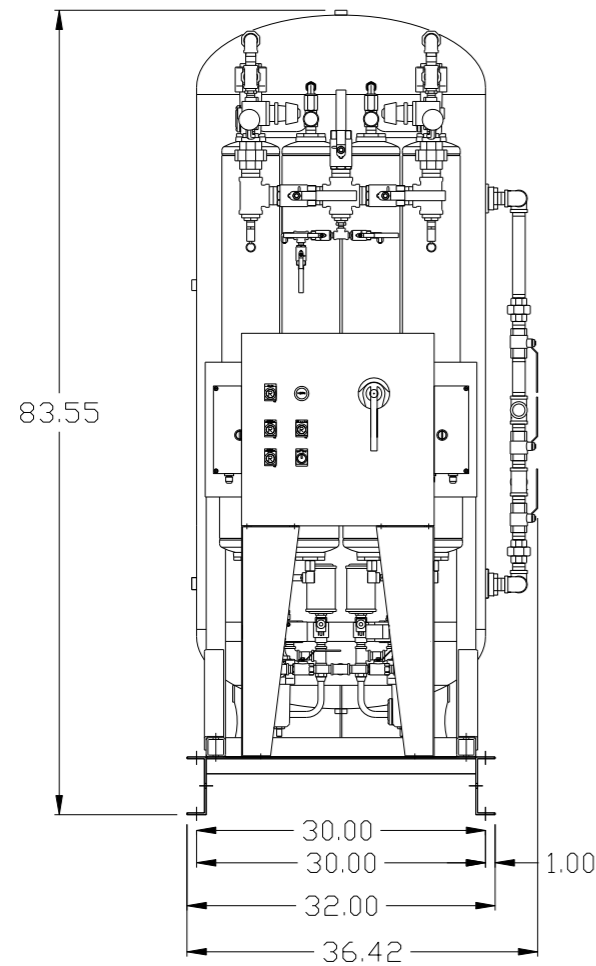
NOTE:
 1) SHEET 1 - SEH3007 LAYOUT
 SHEET 2 - AIR TREATMENT LAYOUT
 SHEET 3 - PLAN VIEW
 SHEET 4 - FLOW SCHEMATIC

SYMBOL LEGEND		ADDITIONAL CONTROL REQ'D		Drawings to conform to the current revision of the following ANSI standards:	
⊖	MINUS DRAFT	⊕	PLUS DRAFT	⊖	Y14.3 Multi and sectional view degn
⊕	PLUS DRAFT	⊖	MINUS DRAFT	⊕	Y14.5M Dimensioning and tolerancing
⊕	PLUS DRAFT	⊖	MINUS DRAFT	⊕	Y14.5M Dimensioning and tolerancing
TOLERANCES NOT SPECIFIED		AUTOCAD REL2008 LT		DO NOT SCALE DRAWING FOR DIMENSIONS	
.XX ±		INCH		Sheet 1 of 4	
.XXX ±				SCALE 1:10	
<CDEG> ±					
CONFIDENTIAL DISCLOSURE					
This drawing is the property of POWEREX, INC. OF THE SCOTT FETZER COMPANY and subject to return on demand. Its contents are confidential and must not be copied or submitted to outside parties for use or examination.					
DRAWN BY		CHECKED BY		APPROVED BY	
RK		AEK		JA CT	
4/23/13		4/23/13		4/23/13 4/23/13	
MATERIAL		N/A		 150 PRODUCTION DRIVE, HARRISON, OHIO 45030 Ph: 888-769-7979 FAX: (513) 367-3125	
PART NAME		30HP ENCLOSED SCROLL		DVG NO	
200GAL DUAL DESICCANT LAB PACKAGE				LSE3005	
				SIZE D	

REV	ZONE	REVISION	DATE	ECN	NAME	CHKD
A-1	ALL	SUBMITTAL DRAWINGS	4/23/13	PKEC0032	RK	AEK
B-1	ALL	RELEASE FOR PRODUCTION	04/23/13	PKEC0032	RK	AEK
C-1	2,3	CONVERT TO POWEX DRYER	2/20/14	PKEC0074	RK	AEK
D-1	2,3	UPDATED DRYER OUTLET ORIENTATION	4/1/15	PKEC0100	AEK	GES



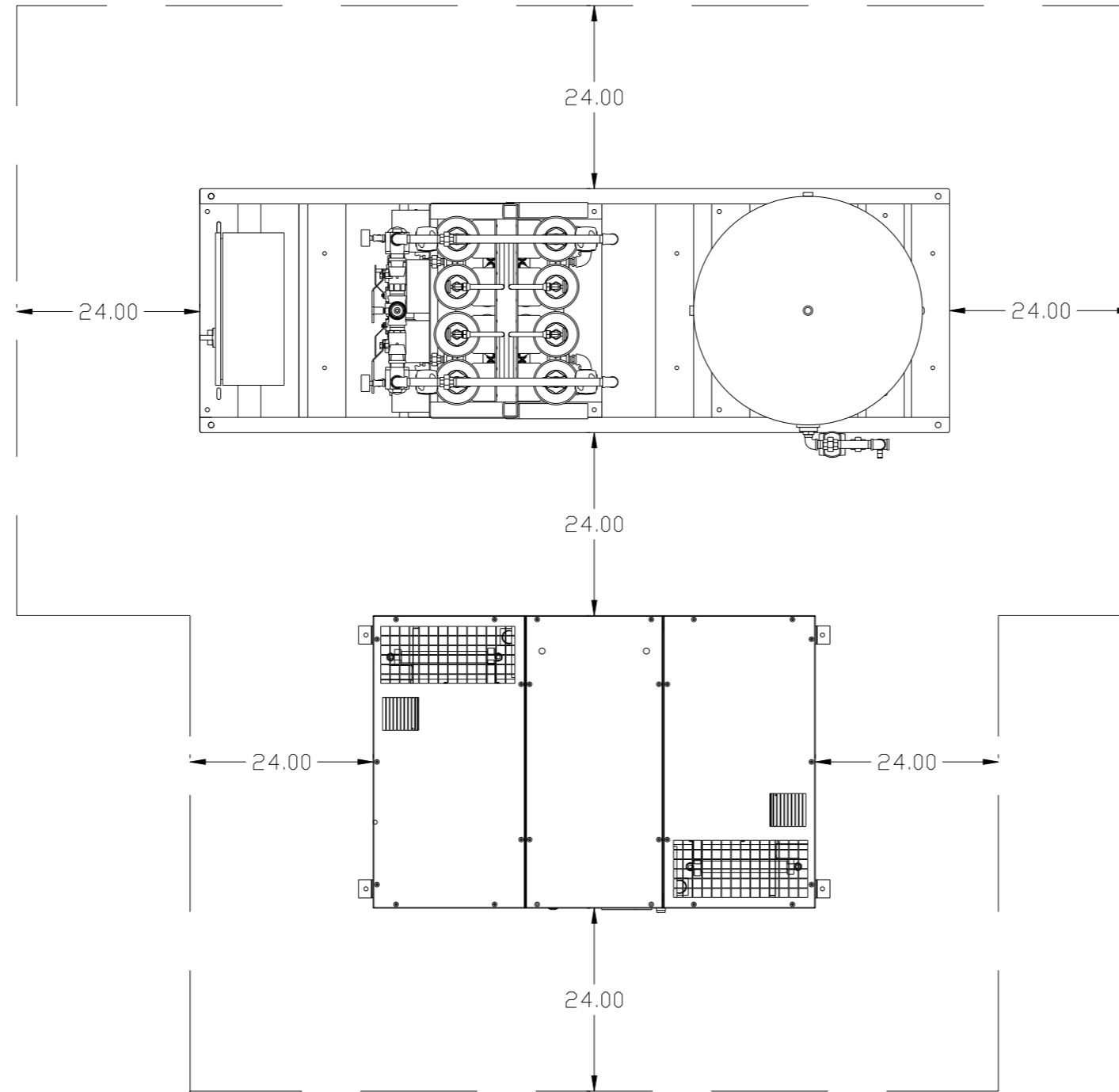
2X DESICCANT DRYERS
W/ DEW POINT MONITOR,
OPTIONAL CARBON MONOXIDE MONITOR,
PRE FILTER, AFTER FILTER
& OPTIONAL CHARCOAL FILTER.



NOTE:
1) SHEET 1 - SEH3007 LAYOUT
SHEET 2 - AIR TREATMENT LAYOUT
SHEET 3 - PLAN VIEW
SHEET 4 - FLOW SCHEMATIC

SYMBOL LEGEND		= ADDITIONAL CONTROL REQ'D		Drawings to conform to the current revision of the following ANSI standards	
⊖ = MINUS DRAFT		= BRINELL HARDNESS		Y14.3 Multi and sectional view dgs. Y14.5M Dimensioning and tolerancing	
⊕ = PLUS DRAFT					
TOLERANCES NOT SPECIFIED		AUTOCAD REL2008 LT		DO NOT SCALE DRAWING FOR DIMENSIONS	
.XX ±		INCH		Sheet 2 of 4	
.XXX ±				SCALE 1:10	
<DEG> ±					
CONFIDENTIAL DISCLOSURE This drawing is the property of POWEX, INC. of the SCOTT FETZER COMPANY and subject to return on demand. Its contents are confidential and must not be copied or submitted to outside parties for use or examination.					
DRAWN BY		CHECKED BY		APPROVED BY	
RK		AEK		JA CT	
4/23/13		4/23/13		4/23/13 4/23/13	
MATERIAL N/A					
PART NAME					
30HP ENCLOSED SCROLL					
200GAL DUAL DESICCANT LAB PACKAGE					
DWG NO				SIZE	
LSE3005				D	

REV	ZONE	REVISION	DATE	ECN	NAME	CHKD
A-1	ALL	SUBMITTAL DRAWINGS	4/23/13	PKEC0032	RK	AEK
B-1	ALL	RELEASE FOR PRODUCTION	04/23/13	PKEC0032	RK	AEK
C-1	2,3	CONVERT TO POWEX DRYER	2/20/14	PKEC0074	RK	AEK
D-1	2,3	UPDATED DRYER OUTLET ORIENTATION	4/1/15	PKEC0100	AEK	GES

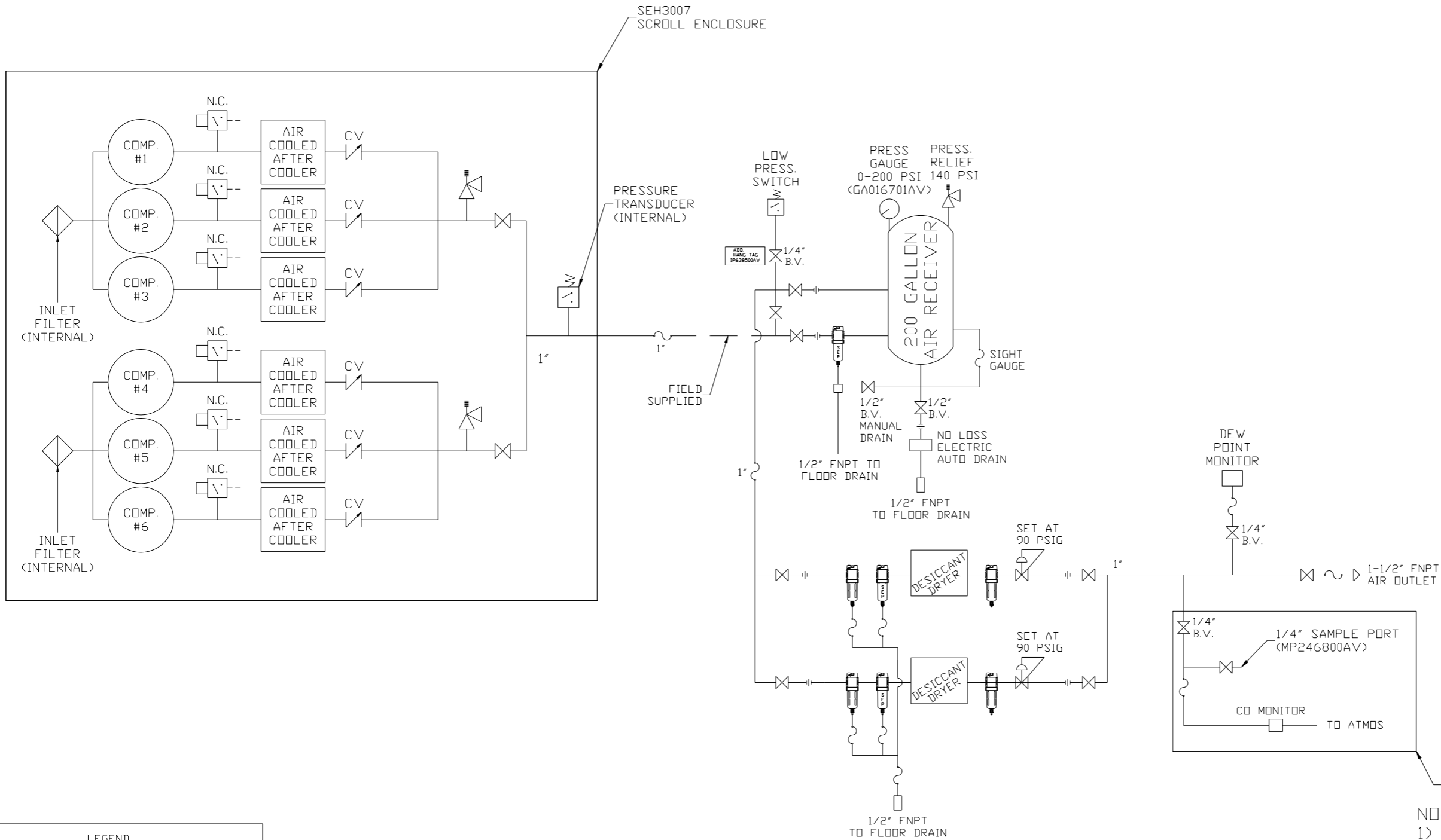


MINIMUM RECOMMENDED
MAINTENANCE CLEARANCE

NOTE:
 1) SHEET 1 - SEH3007 LAYOUT
 SHEET 2 - AIR TREATMENT LAYOUT
 SHEET 3 - PLAN VIEW
 SHEET 4 - FLOW SCHEMATIC

SYMBOL LEGEND ⊖ = MINUS DRAFT ⊕ = PLUS DRAFT ⊕ = ADDITIONAL CONTROL REQ'D HRC = BRINELL HARDNESS		Drawings to conform to the current revision of the following ANSI standards: Y14.3 Multi and sectional view dgs. Y14.5M Dimensioning and tolerancing	
TOLERANCES NOT SPECIFIED .XX ± .XXX ± <DEG> ±		AUTOCAD REL2008 LT INCH DO NOT SCALE DRAWING FOR DIMENSIONS Sheet 3 of 4 SCALE 1:10	
CONFIDENTIAL DISCLOSURE This drawing is the property of POWEX, INC. of the SCOTT FETZER COMPANY and subject to return on demand. Its contents are confidential and must not be copied or submitted to outside parties for use or examination.			
DRAWN BY RK 4/23/13		CHECKED BY AEK 4/23/13	
APPROVED BY ENGINEERING JA 4/23/13		MFG/MKTG CT 4/23/13	
MATERIAL N/A		 150 PRODUCTION DRIVE, HARRISON, OHIO 45030 Ph: 888-769-7979 FAX: (513) 367-3125	
PART NAME 30HP ENCLOSED SCROLL 200GAL DUAL DESICCANT LAB PACKAGE		DWG NO LSE3005 SIZE D	

REV	ZONE	REVISION	DATE	ECN	NAME	CHKD
A-1	ALL	SUBMITTAL DRAWINGS	4/23/13	PKEC0032	RK	AEK
B-1	ALL	RELEASE FOR PRODUCTION	04/23/13	PKEC0032	RK	AEK
C-1	2,3	CONVERT TO POWEX DRYER	2/26/14	PKEC0074	RK	AEK
D-1	2,3	UPDATED DRYER OUTLET ORIENTATION	4/1/15	PKEC0100	AEK	GES



- NOTE:
 1) SHEET 1 - SEH3007 LAYOUT
 SHEET 2 - AIR TREATMENT LAYOUT
 SHEET 3 - PLAN VIEW
 SHEET 4 - FLOW SCHEMATIC

LEGEND	
	RELIEF VALVE
	INTAKE FILTER
	AIR FILTER
	CARBON FILTER
	BALL VALVE
	3 WAY VALVE
	REGULATOR
	SEPARATOR
	FLEX LINE
	HIGH TEMP SWITCH
	UNION
	CHECK VALVE

SYMBOL LEGEND ⊖ = MINUS DRAFT ⊕ = PLUS DRAFT ⊕ = ADDITIONAL CONTROL REQ'D ⊕ = BRINELL HARDNESS		Drawings to conform to the current revision of the following ANSI standards: Y14.3 Multi and sectional view dsgs. Y14.5M Dimensioning and tolerancing	
TOLERANCES NOT SPECIFIED .XX ± .XXX ± <<DEG> ±		AUTOCAD REL2008 LT DO NOT SCALE DRAWING FOR DIMENSIONS Sheet 4 of 4 SCALE 1:10	
CONFIDENTIAL DISCLOSURE This drawing is the property of POWEX, INC. of the SCOTT FETZER COMPANY and subject to return on demand. Its contents are confidential and must not be copied or submitted to outside parties for use or examination.			
DRAWN BY: RK CHECKED BY: AEK 4/23/13		APPROVED BY: ENGINEERING MFG/MKTG JA CT 4/23/13 4/23/13 4/23/13 4/23/13	
MATERIAL: N/A		 150 PRODUCTION DRIVE, HARRISON, OHIO 45030 Ph 888-769-7979 FAX (513) 367-3125	
PART NAME: 30HP ENCLOSED SCROLL FLOW SCHEMATIC		DWG NO: LSE3005 SIZE: D	