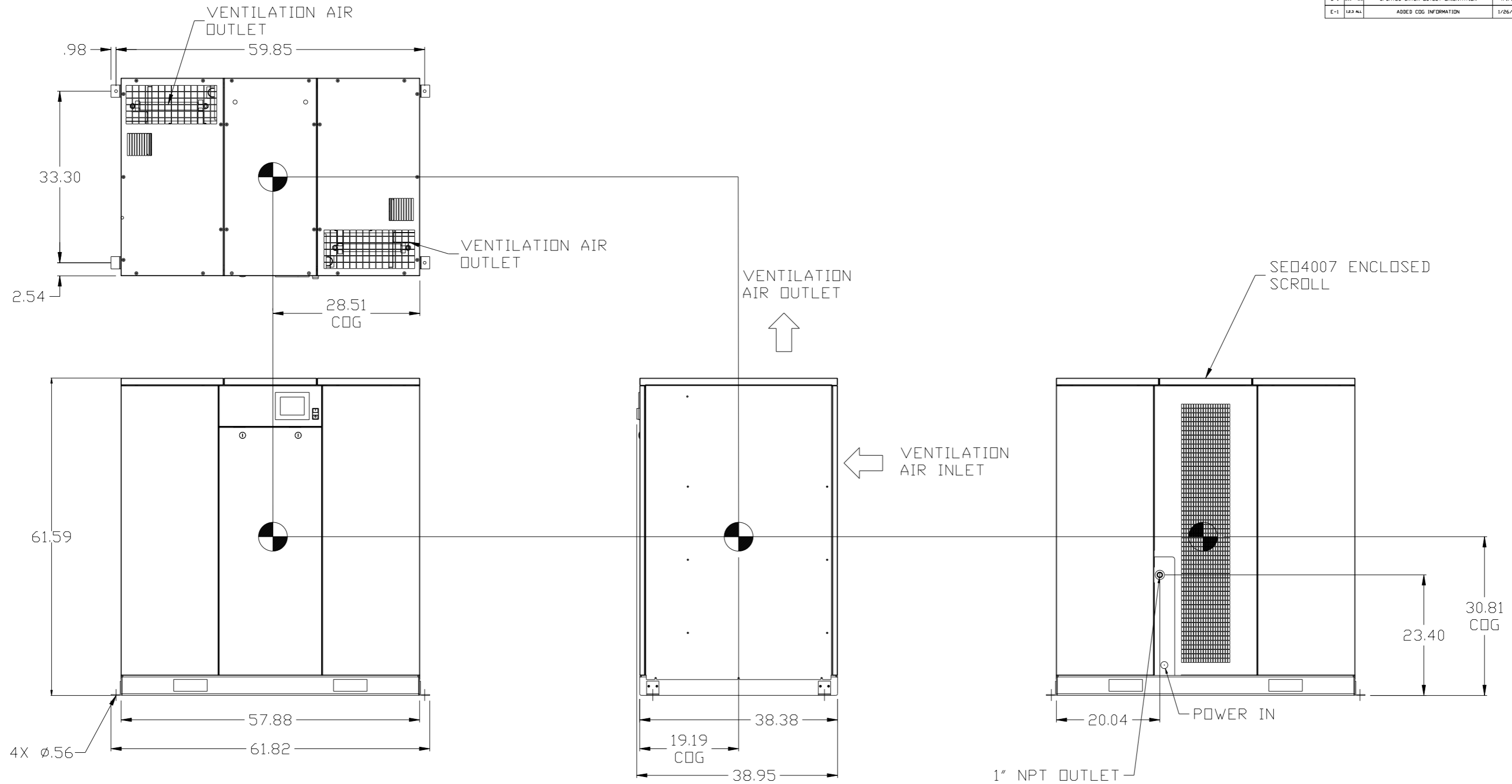


REV	ZONE	REVISION	DATE	ECN	NAME	CHKD
A-1	ALL	SUBMITTAL DRAWINGS	4/23/13	PXEC0032	RK	AEK
B-1	ALL	RELEASE FOR PRODUCTION	04/23/13	PXEC0032	RK	AEK
C-1	2,3	CONVERT TO POWEREX DRYER	2/28/14	PXEC0074	RK	AEK
D-1	2,3	UPDATED DRYER OUTLET ORIENTATION	4/1/15	PXEC0100	AEK	GES
E-1	1,2,3	ADDED CDG INFORMATION	1/26/18	PXEC0227	GES	DMS



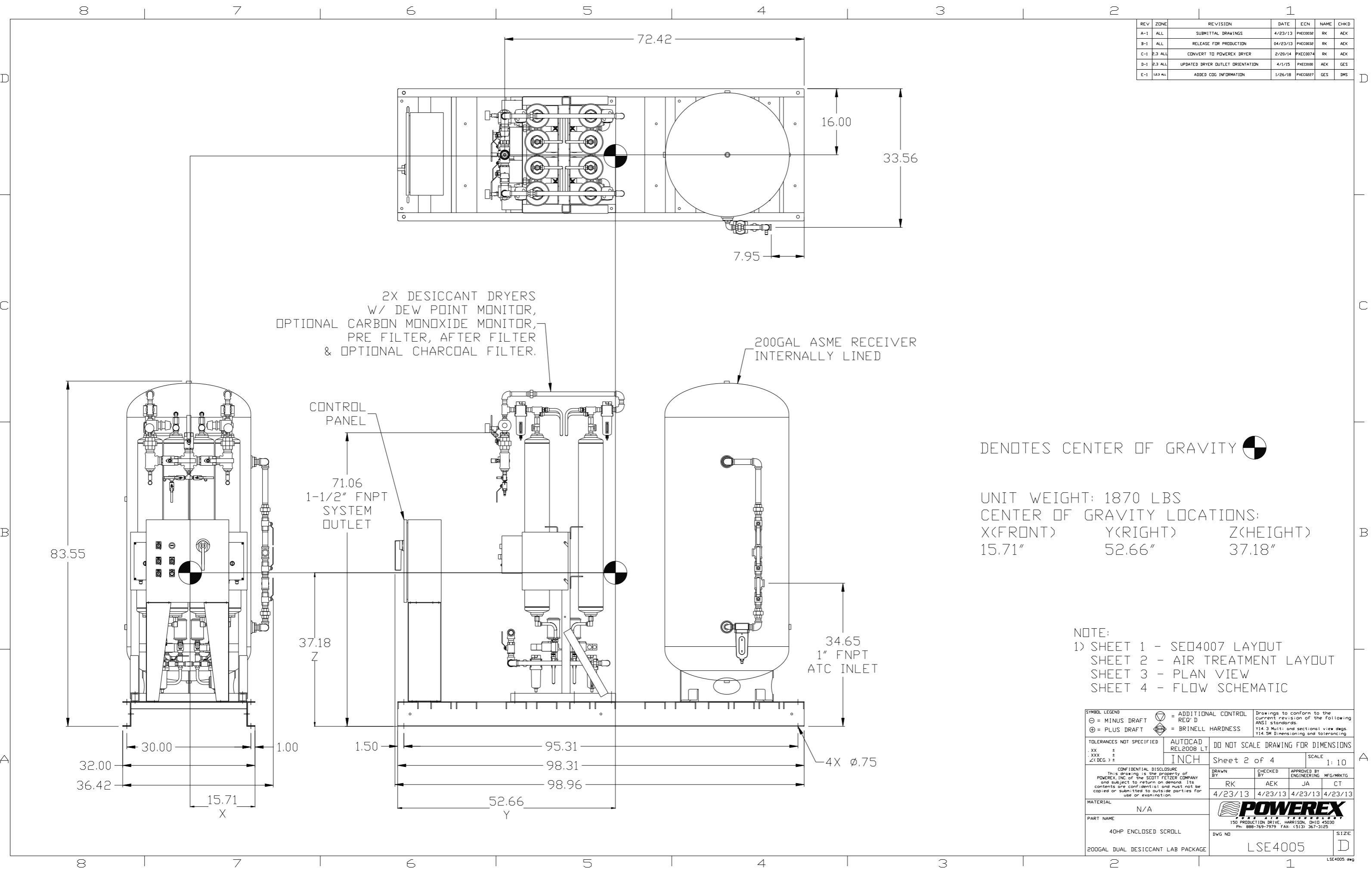
UNIT WEIGHT: 2000 LBS  
 CENTER OF GRAVITY LOCATIONS:  
 X(FRONT)      Y(RIGHT)      Z(HEIGHT)  
 19.19"          28.51"          30.81"

DENOTES CENTER OF GRAVITY

- NOTE:
- SHEET 1 - SE04007 LAYOUT
  - SHEET 2 - AIR TREATMENT LAYOUT
  - SHEET 3 - PLAN VIEW
  - SHEET 4 - FLOW SCHEMATIC

SYMBOL LEGEND		= ADDITIONAL CONTROL REQ'D		Drawings to conform to the current revision of the following ANSI standards:	
⊖	= MINUS DRAFT	⊕	= PLUS DRAFT	⊖	= BRINELL HARDNESS
TOLERANCES NOT SPECIFIED		AUTOCAD REL2008 LT		DO NOT SCALE DRAWING FOR DIMENSIONS	
.XX ±		INCH		Sheet 1 of 4	
.XXX ±				SCALE 1:10	
<4 DEG > ±					
CONFIDENTIAL DISCLOSURE		DRAWN BY		APPROVED BY	
This drawing is the property of POWEREX, INC. of the SCOTT FETZER COMPANY and subject to return on demand. Its contents are confidential and must not be copied or submitted to outside parties for use or examination.		RK		AEK	
		4/23/13		4/23/13	
				4/23/13	
				4/23/13	
MATERIAL		N/A			
PART NAME		40HP ENCLOSED SCROLL		150 PRODUCTION DRIVE, HARRISON, OHIO 45030 Ph: 888-769-7979 Fax: (513) 367-3125	
200GAL DUAL DESICCANT LAB PACKAGE		DWG NO		LSE4005	
				SIZE D	

REV	ZONE	REVISION	DATE	ECN	NAME	CHKD
A-1	ALL	SUBMITTAL DRAWINGS	4/23/13	PXEC0036	RK	AEK
B-1	ALL	RELEASE FOR PRODUCTION	04/23/13	PXEC0036	RK	AEK
C-1	2,3 ALL	CONVERT TO POWEX DRYER	2/20/14	PXEC0074	RK	AEK
D-1	2,3 ALL	UPDATED DRYER OUTLET ORIENTATION	4/1/15	PXEC0100	AEK	GES
E-1	1,2,3 ALL	ADDED COG INFORMATION	1/26/18	PXEC0227	GES	DMS



2X DESICCANT DRYERS  
W/ DEW POINT MONITOR,  
OPTIONAL CARBON MONOXIDE MONITOR,  
PRE FILTER, AFTER FILTER  
& OPTIONAL CHARCOAL FILTER.

200GAL ASME RECEIVER  
INTERNALLY LINED

CONTROL  
PANEL

71.06  
1-1/2" FNPT  
SYSTEM  
OUTLET

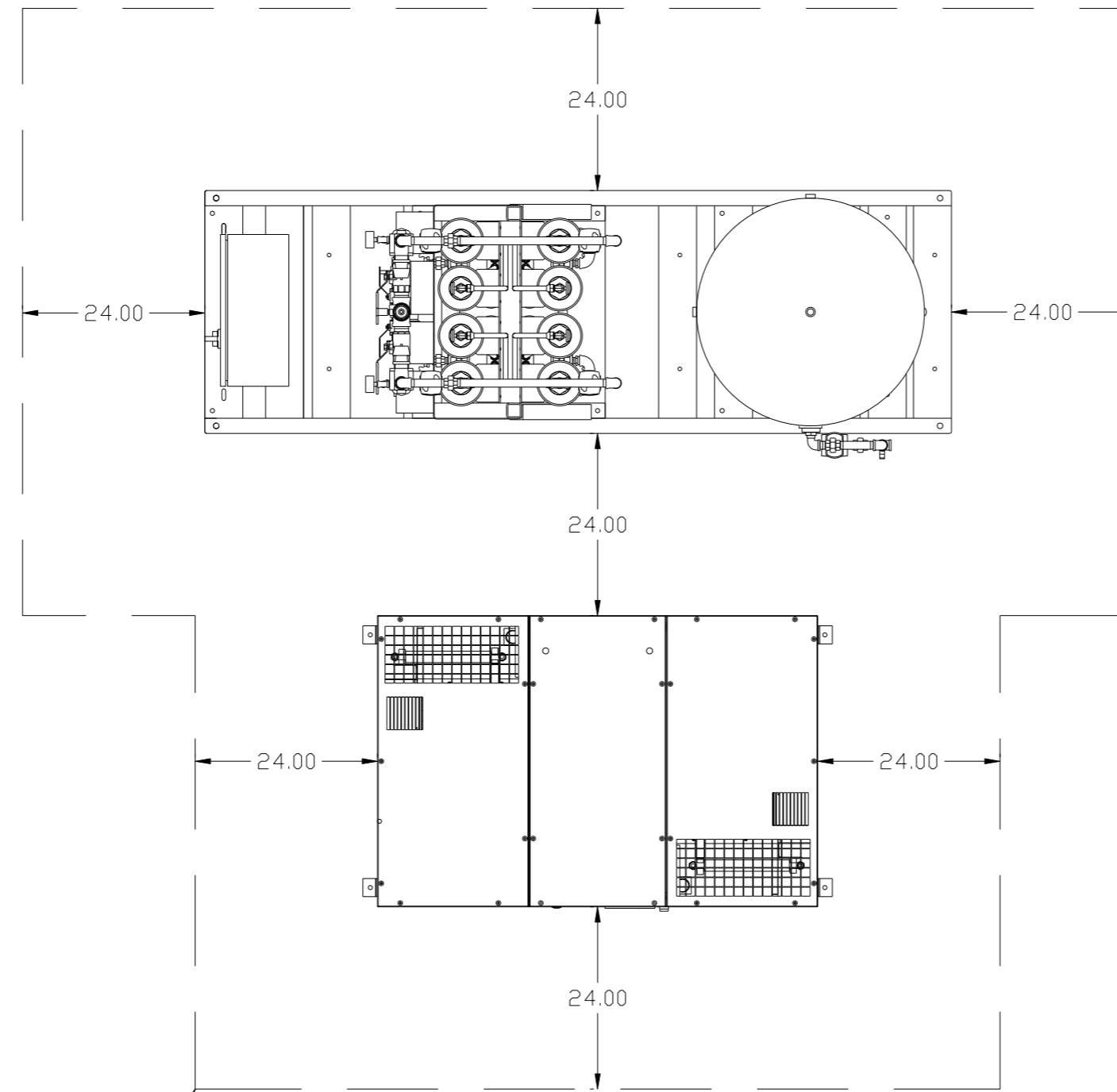
DENOTES CENTER OF GRAVITY

UNIT WEIGHT: 1870 LBS  
CENTER OF GRAVITY LOCATIONS:  
X(FRONT)      Y(RIGHT)      Z(HEIGHT)  
15.71"          52.66"          37.18"

- NOTE:
- 1) SHEET 1 - SEQ4007 LAYOUT
  - SHEET 2 - AIR TREATMENT LAYOUT
  - SHEET 3 - PLAN VIEW
  - SHEET 4 - FLOW SCHEMATIC

SYMBOL LEGEND		= ADDITIONAL CONTROL REQ'D		Drawings to conform to the current revision of the following ANSI standards.	
⊖ = MINUS DRAFT		= BRINELL HARDNESS		Y14.3 Multi- and sectional view deqs.	
⊕ = PLUS DRAFT				Y14.5M Dimensioning and tolerancing	
TOLERANCES NOT SPECIFIED		AUTOCAD REL2008 LT		DO NOT SCALE DRAWING FOR DIMENSIONS	
.XX ±		INCH		Sheet 2 of 4	
.XXX ±				SCALE 1:10	
∠(DEG) ±					
CONFIDENTIAL DISCLOSURE					
This drawing is the property of POWEX, INC. of the SCOTT FETZER COMPANY and subject to return on demand. Its contents are confidential and must not be copied or submitted to outside parties for use or examination.					
DRAWN BY		CHECKED BY		APPROVED BY	
RK		AEK		JA CT	
4/23/13		4/23/13		4/23/13 4/23/13	
MATERIAL		N/A			
PART NAME		40HP ENCLOSED SCROLL		150 PRODUCTION DRIVE, HARRISON, OHIO 45030 Ph: 888-769-7979 FAX: (513) 367-3125	
DWG NO		200GAL DUAL DESICCANT LAB PACKAGE		LSE4005	
SIZE		D		LSE4005.dwg	

REV	ZONE	REVISION	DATE	ECN	NAME	CHKD
A-1	ALL	SUBMITTAL DRAWINGS	4/23/13	PXEC0032	RK	AEK
B-1	ALL	RELEASE FOR PRODUCTION	04/23/13	PXEC0032	RK	AEK
C-1	2,3 ALL	CONVERT TO POWEREX DRYER	2/20/14	PXEC0074	RK	AEK
D-1	2,3 ALL	UPDATED DRYER OUTLET ORIENTATION	4/1/15	PXEC0100	AEK	GES
E-1	1&3 ALL	ADDED COG INFORMATION	1/26/18	PXEC0227	GES	DMS

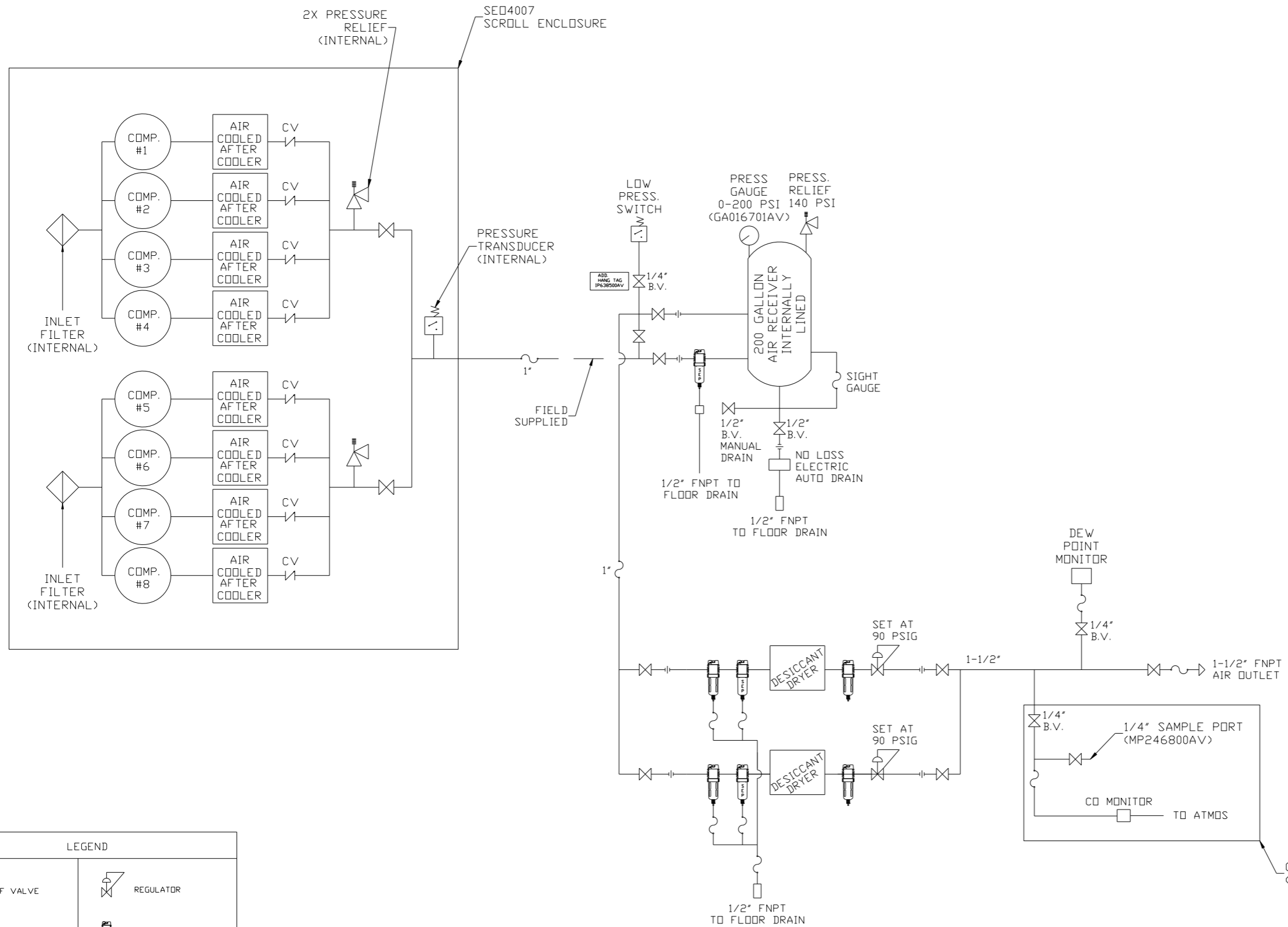


MINIMUM RECOMMENDED  
MAINTENANCE CLEARANCE

NOTE:  
 1) SHEET 1 - SEQ4007 LAYOUT  
 SHEET 2 - AIR TREATMENT LAYOUT  
 SHEET 3 - PLAN VIEW  
 SHEET 4 - FLOW SCHEMATIC

SYMBOL LEGEND ⊖ = MINUS DRAFT ⊕ = PLUS DRAFT TOLERANCES NOT SPECIFIED .XX ± .XXX ± Z( DEG ) ±		⊕ = ADDITIONAL CONTROL REQ'D HRC = BRINELL HARDNESS Drawings to conform to the current revision of the following ANSI standards. Y14.3 Multi and sectional view degs. Y14.5M Dimensioning and tolerancing	
AUTOCAD REL2008 LT INCH		DO NOT SCALE DRAWING FOR DIMENSIONS Sheet 3 of 4 SCALE 1:10	
CONFIDENTIAL DISCLOSURE This drawing is the property of POWEREX, INC. of the SCOTT FETZER COMPANY and subject to return on demand. Its contents are confidential and must not be copied or submitted to outside parties for use or examination.		DRAWN BY RK	CHECKED BY AEK
MATERIAL N/A		APPROVED BY JA	MFG/MKTG CT
PART NAME 40HP ENCLOSED SCROLL		DATE 4/23/13	DATE 4/23/13
200GAL DUAL DESICCANT LAB PACKAGE		DATE 4/23/13	
DWG NO LSE4005		SIZE D	

REV	ZONE	REVISION	DATE	ECN	NAME	CHKD
A-1	ALL	SUBMITTAL DRAWINGS	4/23/13	PXEC0032	RK	AEK
B-1	ALL	RELEASE FOR PRODUCTION	04/23/13	PXEC0032	RK	AEK
C-1	2,3	CONVERT TO POWEREX DRYER	2/20/14	PXEC0074	RK	AEK
D-1	2,3	UPDATED DRYER OUTLET ORIENTATION	4/1/15	PXEC0100	AEK	GES
E-1	1,2,3	ADDED CDG INFORMATION	1/26/18	PXEC0227	GES	DMS



NOTE:  
 1) SHEET 1 - SEO4007 LAYOUT  
 SHEET 2 - AIR TREATMENT LAYOUT  
 SHEET 3 - PLAN VIEW  
 SHEET 4 - FLOW SCHEMATIC

LEGEND	
	RELIEF VALVE
	INTAKE FILTER
	AIR FILTER
	CARBON FILTER
	BALL VALVE
	3 WAY VALVE
	REGULATOR
	SEPARATOR
	FLEX LINE
	HIGH TEMP SWITCH
	UNION
	CHECK VALVE

SYMBOL LEGEND		= ADDITIONAL CONTROL	Drawings to conform to the current revision of the following ANSI standards:		
= MINUS DRAFT	= PLUS DRAFT	= BRINELL HARDNESS	Y14.3 Multi and sectional view deqs. Y14.3M Dimensioning and tolerancing		
TOLERANCES NOT SPECIFIED		AUTOCAD REL2008 LT	DO NOT SCALE DRAWING FOR DIMENSIONS		
.XX ±	.XXX ±	INCH	Sheet 4 of 4	SCALE 1:10	
CONFIDENTIAL DISCLOSURE This drawing is the property of POWEREX, INC. of the SCOTT FETZER COMPANY and subject to return on demand. Its contents are confidential and must not be copied or submitted to outside parties for use or expiration.		DRAWN BY RK	CHECKED BY AEK	APPROVED BY JA	DATE 4/23/13
MATERIAL N/A		 150 PRODUCTION DRIVE, HARRISON, OHIO 45030 Ph: 888-769-7979 FAX: (513) 367-3125			
PART NAME 40HP ENCLOSED SCROLL		DWG NO LSE4005		SIZE D	
FLOW SCHEMATIC					