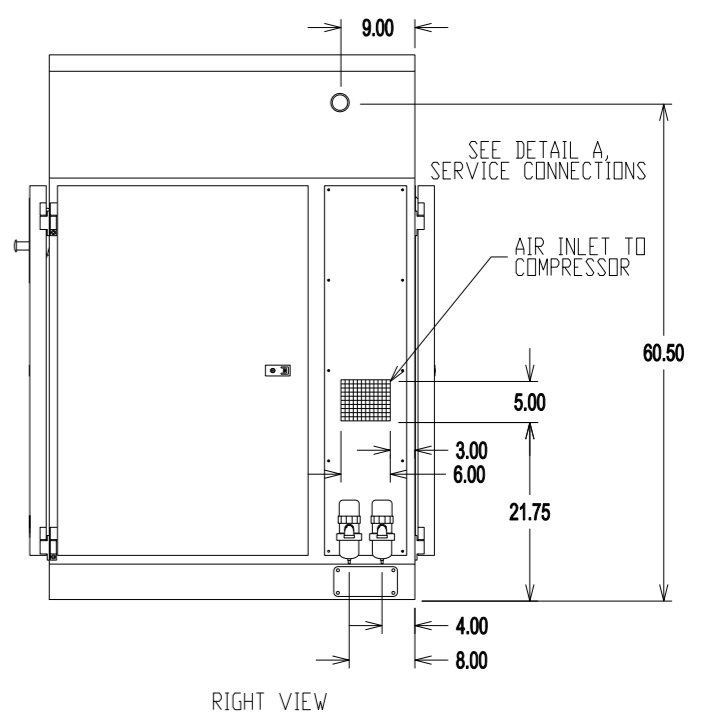
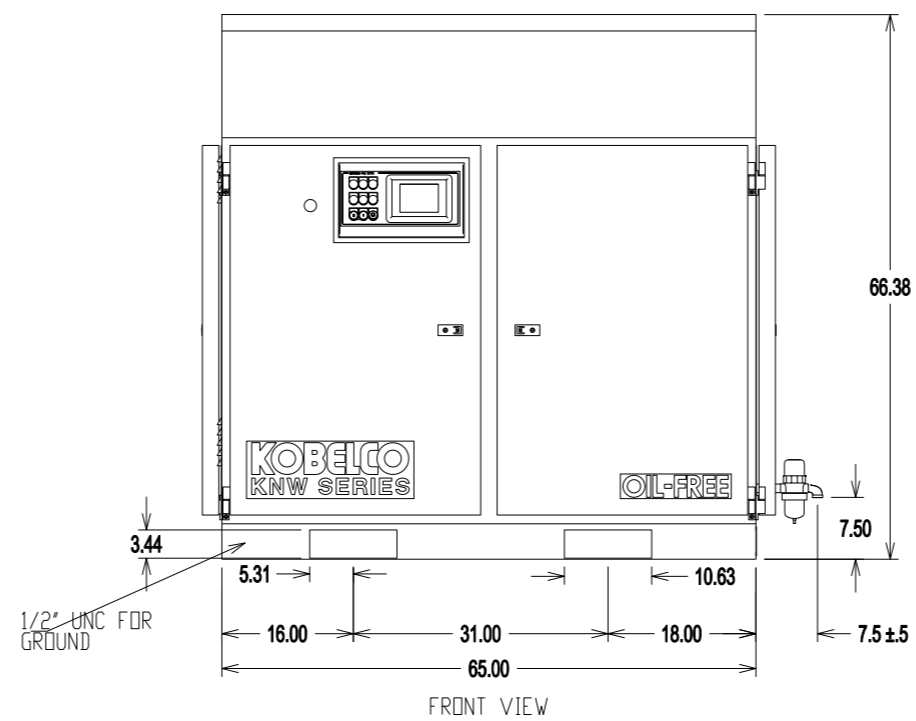
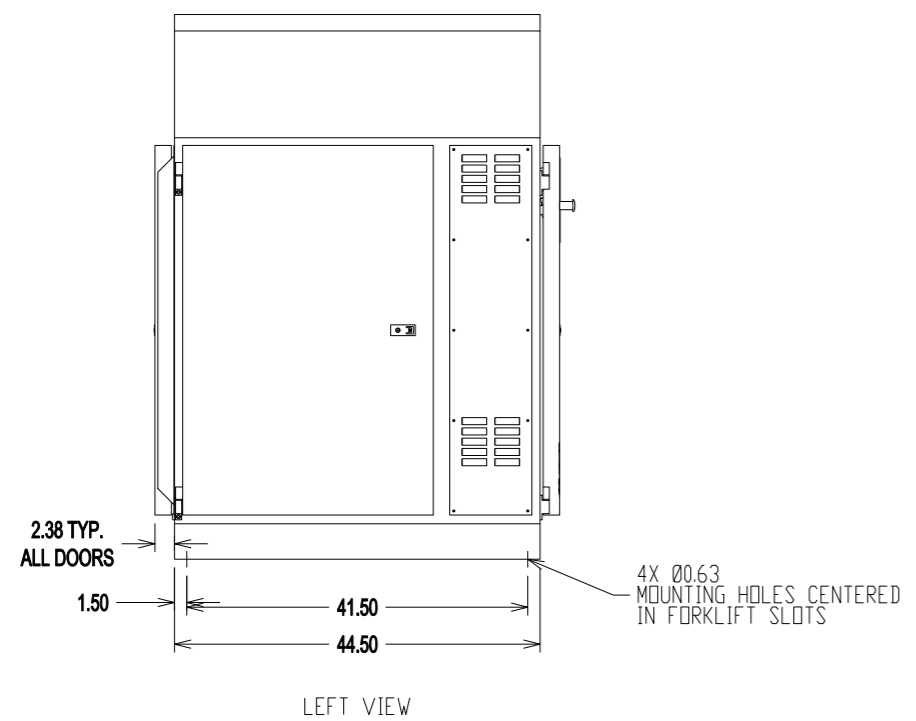
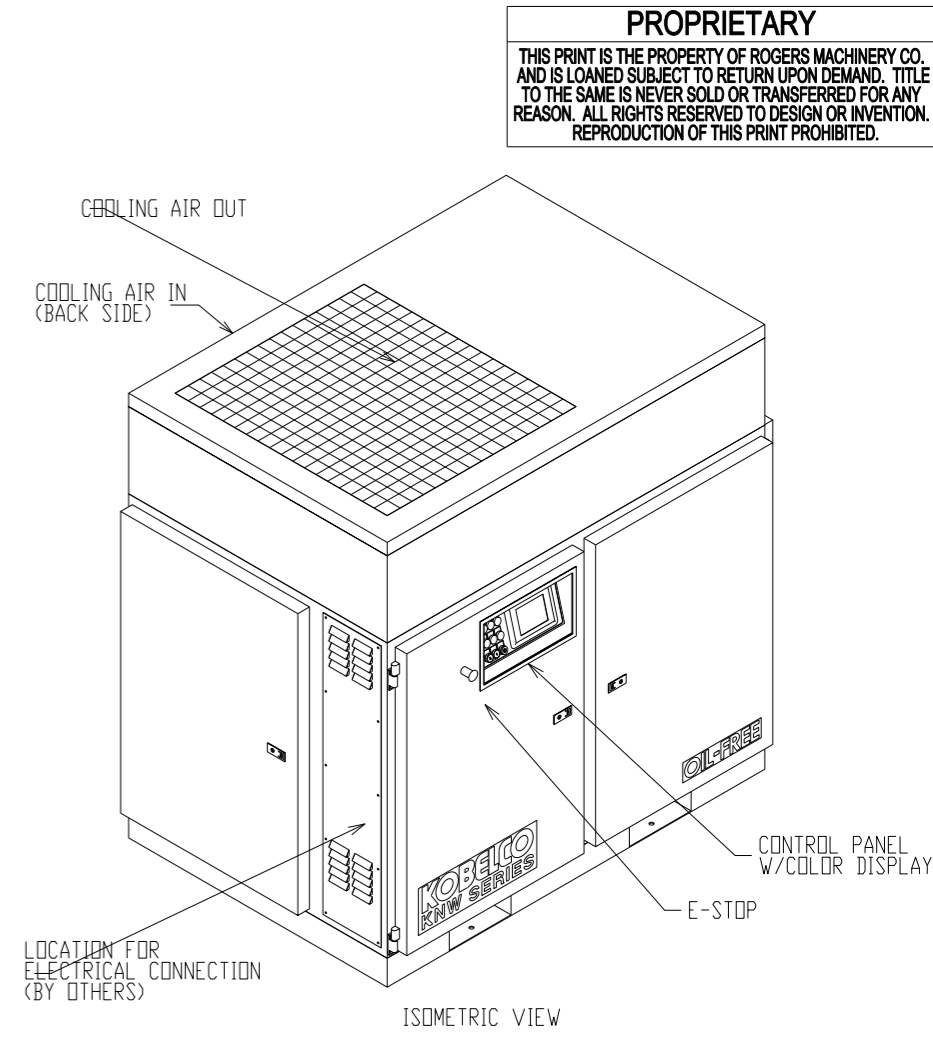
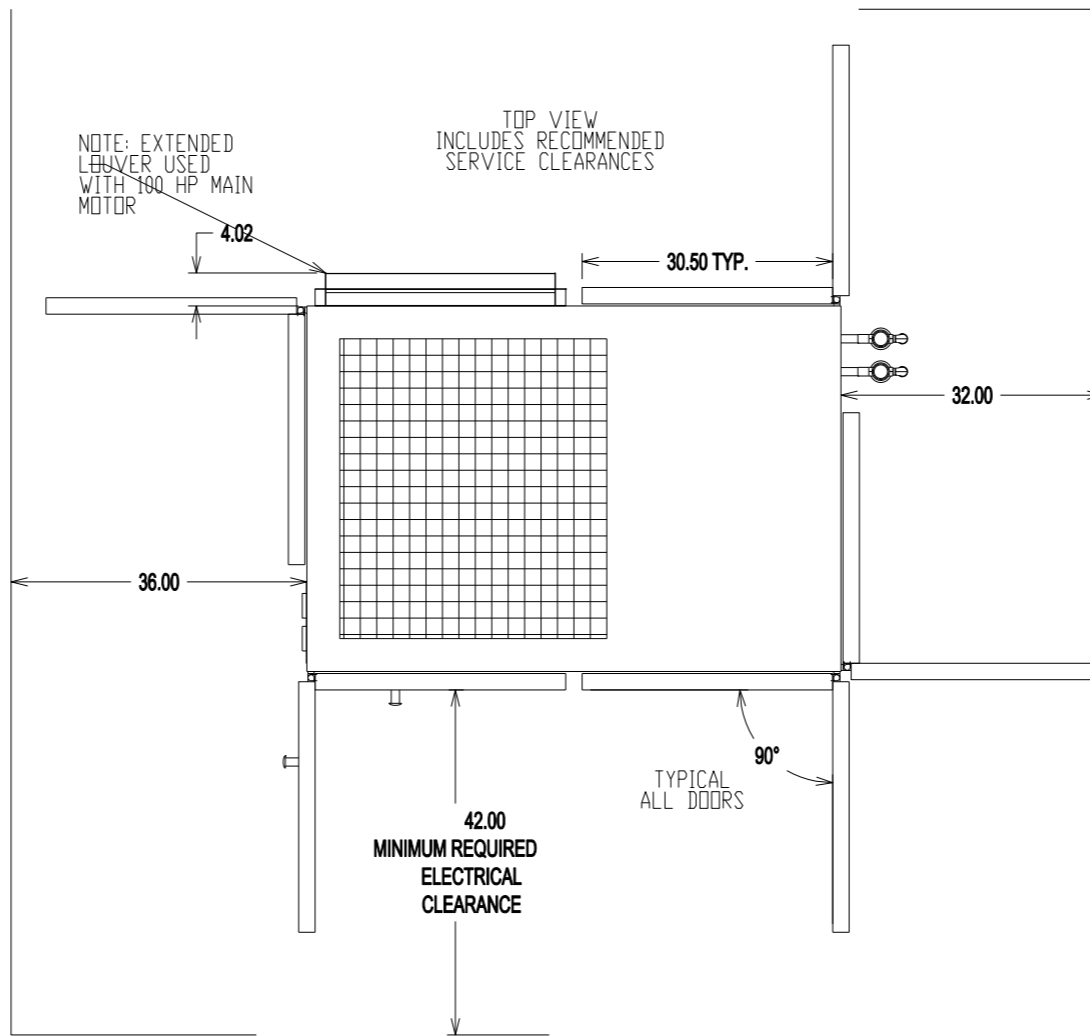
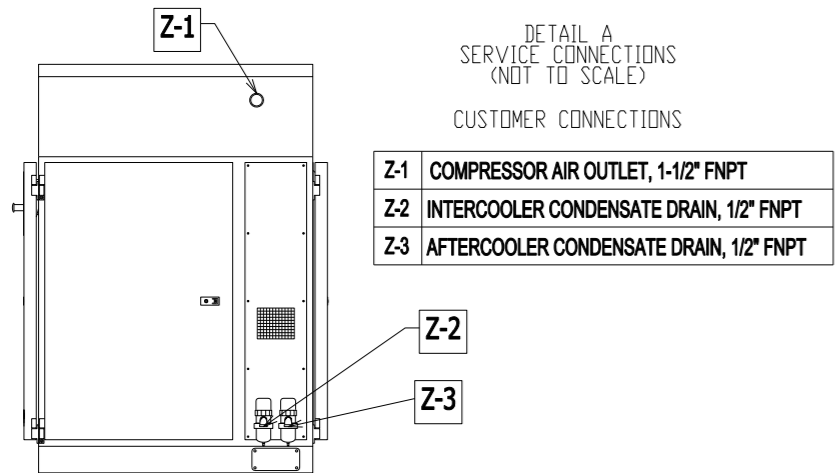


UTILITY REQUIREMENTS

MODEL	PRESSURE	NAMEPLATE HORSEPOWER	COOLING FAN OUTPUT CFM	HEAT REJECTION TO AIR BTU/MIN	APPROX. POWER CONSUMPTION kW	APPROX. SHIPPING WEIGHT LB
A/H	125 PSIG (OPERATING)	50	6500	2350	45	3670
	150 PSIG (MAX WORKING)		6500	2620	50	
B/L	100 PSIG (OPERATING)	50	6500	2590	49	3670
	125 PSIG (OPERATING)		6500	2900	55	
B/H	125 PSIG (OPERATING)	60	6500	3210	60	3740
	150 PSIG (MAX WORKING)		6500	3160	59	
C/L	100 PSIG (OPERATING)	60	6500	3540	66	3740
	125 PSIG (OPERATING)		6500	3940	73	
C/H	125 PSIG (OPERATING)	75	6500	3580	67	3880
	150 PSIG (MAX WORKING)		6500	4020	74	
D/L	100 PSIG (OPERATING)	75	6500	4200	77	3910
	125 PSIG (OPERATING)		6500	4200	77	
D/H	125 PSIG (OPERATING)	100	6500	4420	81	3910
	135 PSIG (MAX WORKING)		6500	4420	81	
E/L	100 PSIG (OPERATING)	100	6500	4420	81	3910

ELECTRICAL REQUIREMENTS: 3Ø, 60Hz, 480V

- NOTES**
 1. PERFORMANCE DATA SHOWN IS FOR STANDARD CONDITIONS OF AMBIENT PRESSURE 14.5 PSIA, AMBIENT TEMPERATURE 80°F, RELATIVE HUMIDITY 60%. OPERATION IN OTHER CONDITIONS WILL AFFECT PERFORMANCE.
 2. VALUES WILL VARY ±4% FOR CAPACITY AND ±5% FOR SPECIFIC POWER.



DIMENSIONS ARE IN INCHES UNLESS OTHERWISE NOTED

REV	DATE	BY	CK	DESCRIPTION

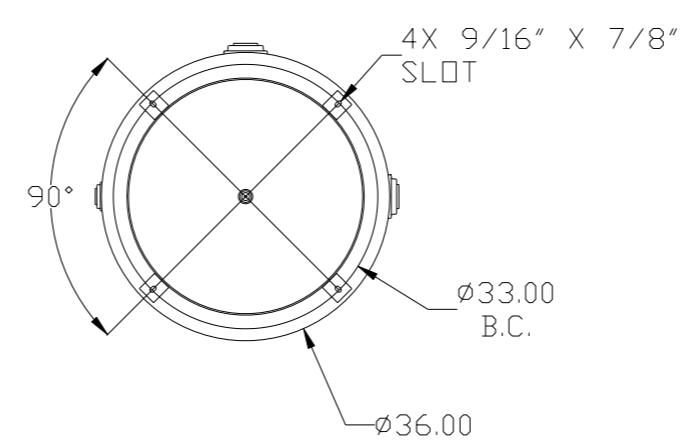
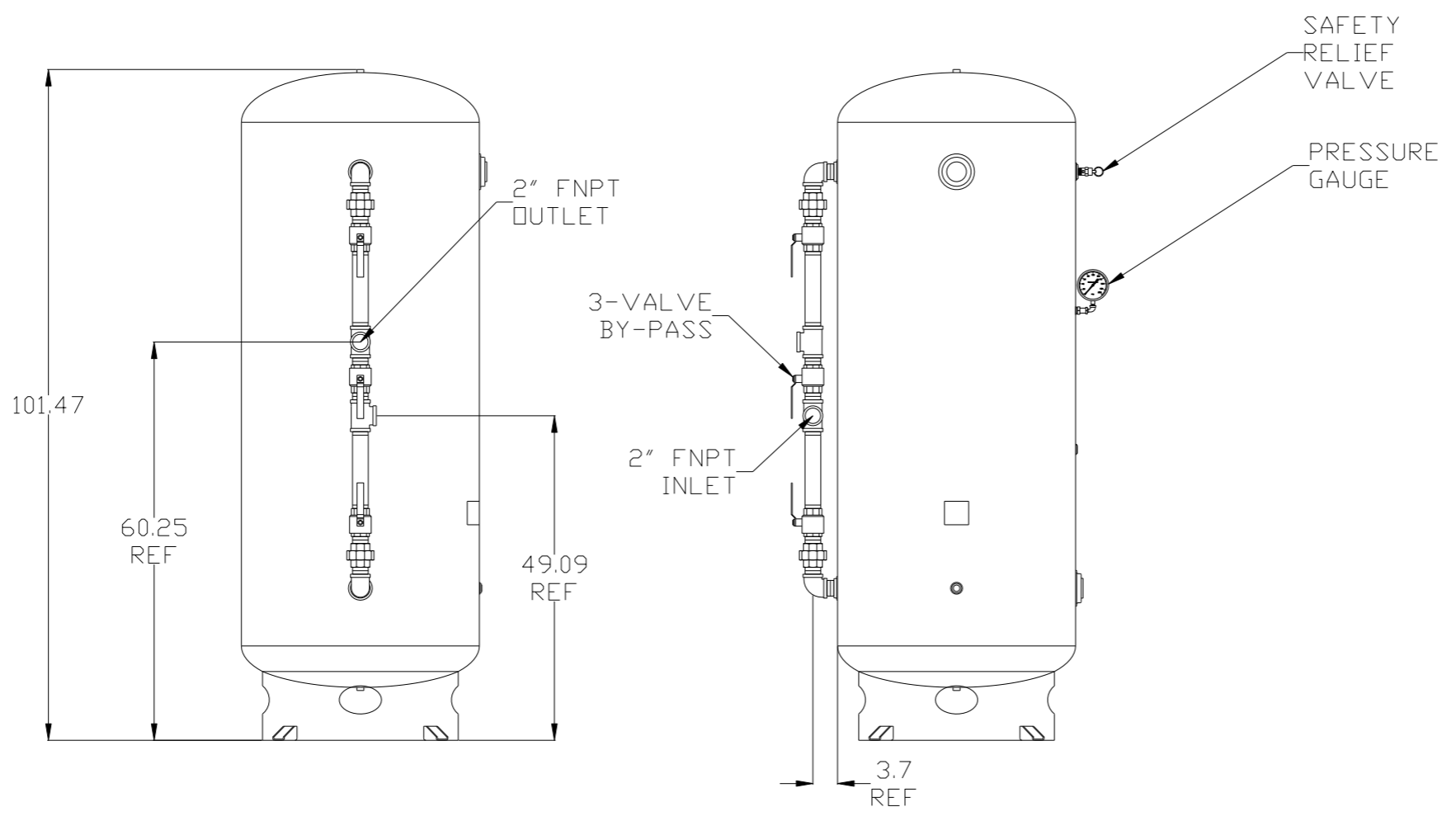
DRAWN	G.E. WILKER	05DEC13
CHECKED		
SIZE	B	SCALE 1:24
SERIAL#	POWEREX - TBD	

COMPRESSOR ASSEMBLY
 KOBELCO KNW SERIES AIR COMPRESSOR
 MODEL KNWA0, AIR-COOLED
 WYE-DELTA STARTER, STANDARD ASSEMBLY

DRAWING NUMBER
K00754A.0
 SHEET 1 OF 1

GALLONS	SIZE	DESIGN PRESSURE	WEIGHT lbs.	DESCRIPTION
400	36 x 101	165 PSI	880	ASME VERTICAL INDUSTRIAL w/BASE RING

REV	ZONE	REVISION	DATE	ECN	NAME	CHKD
A-1	ALL	SUBMITTAL DRAWINGS	8/7/13	PKEC0052	RK	AEK
B-1	ALL	RELEASE FOR PRODUCTION	8/7/13	PKEC0052	RK	AEK
C-1	ALL	CHANGED TANK PSI FROM 200 TO 165	04/26/18	PKEC0229	DMS	GES

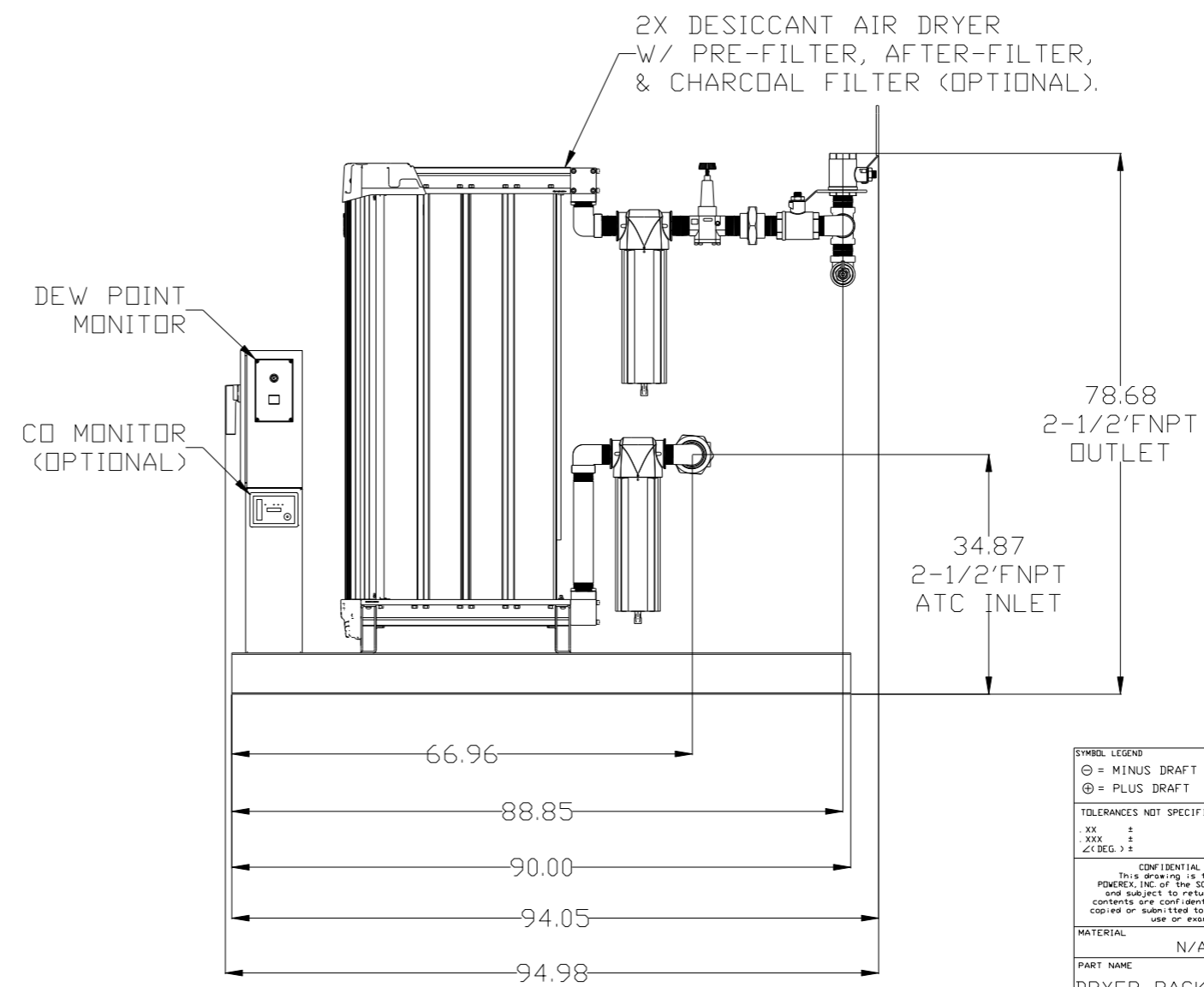
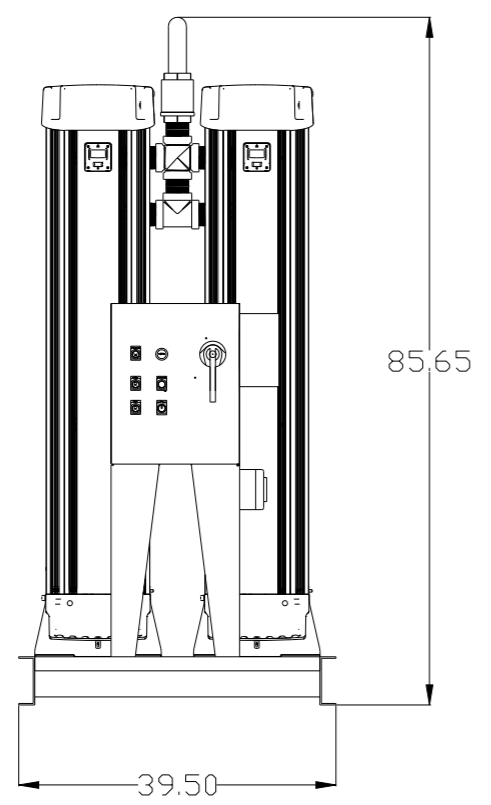
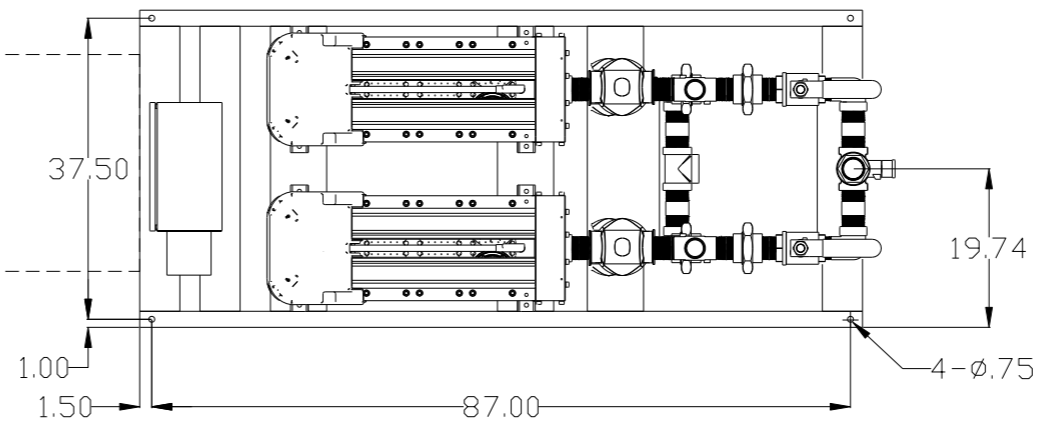


NOTES:
 1) ASME CERTIFIED VESSEL
 2) ALL DIMENSIONS ARE REFERENCE DIMENSIONS
 3) APPROXIMATE WT. - 880 LBS.

SYMBOL LEGEND ⊖ = MINUS DRAFT ⊕ = PLUS DRAFT TOLERANCES NOT SPECIFIED .XX ± .XXX ± << DEG >> ±		= ADDITIONAL CONTROL REQ'D = BRINELL HARDNESS		Drawings to conform to the current revision of the following ANSI standards: Y14.3 Multi and sectional view dsgs. Y14.5M Dimensioning and tolerancing	
AUTOCAD REL2008 LT INCH		DO NOT SCALE DRAWING FOR DIMENSIONS Sheet 2 of 5 SCALE 1:12		CONFIDENTIAL DISCLOSURE This drawing is the property of POWEREX, INC. of the SCOTT FETZER COMPANY and subject to return on demand. Its contents are confidential and must not be copied or submitted to outside parties for use or examination.	
DRAWN BY: RK CHECKED BY: AEK 8/6/13		APPROVED BY: ENGINEERING J.A. CT 8/7/13 8/7/12 8/7/12		POWEREX 150 PRODUCTION DRIVE, HARRISBURG, OHIO 45030 Ph: 888-769-7979 FAX: (513) 367-3125	
MATERIAL: N/A PART NAME: 40-100HP VFD TRIPLEX ENCLOSED COMPRESSOR 400 GALLON DUAL DESICCANT PACKAGE		DWG NO: LTRE1007		SIZE: D	

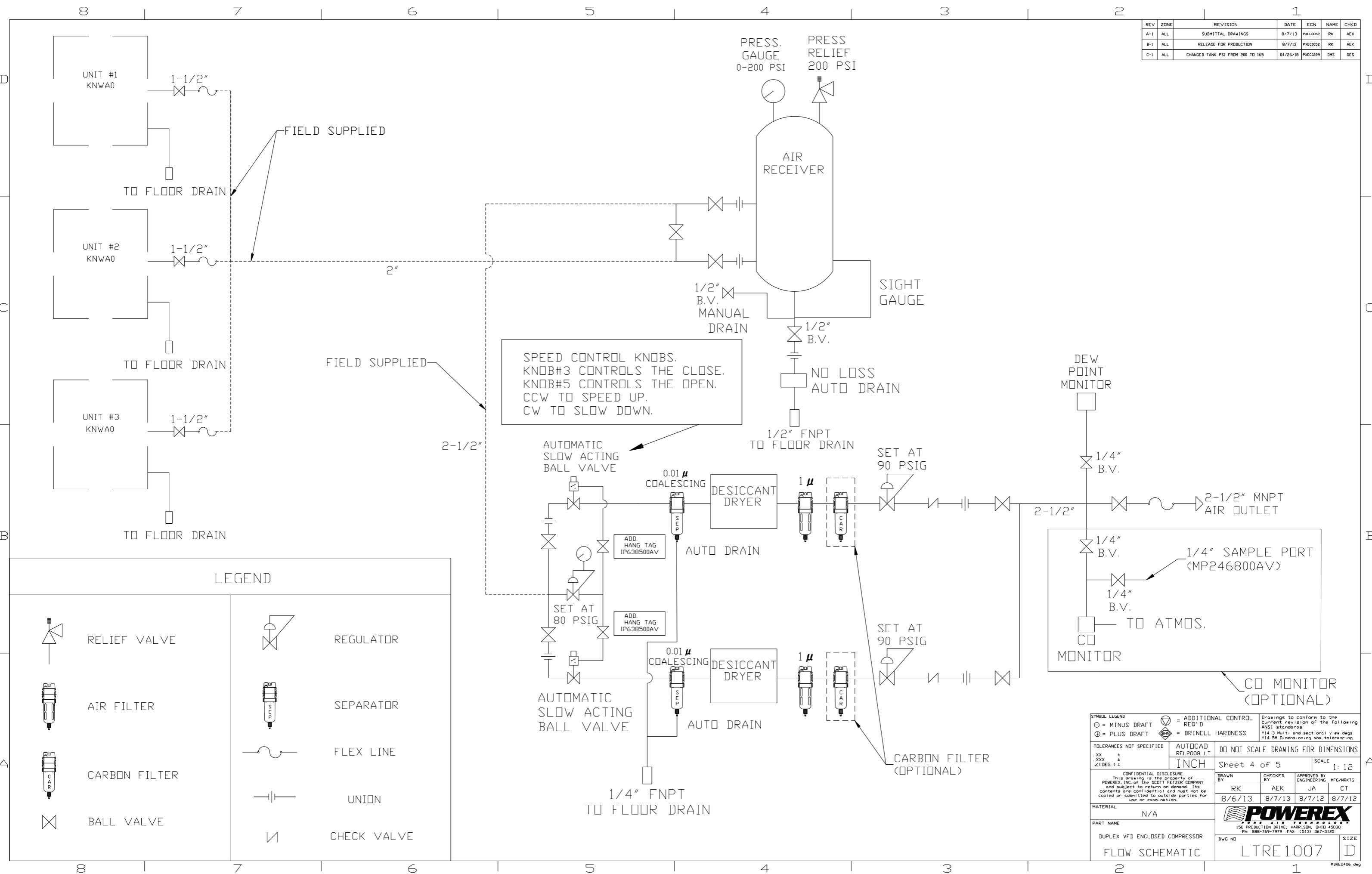
REV	ZONE	REVISION	DATE	ECN	NAME	CHWD
A-1	ALL	SUBMITTAL DRAWINGS	8/7/13	PXEC0052	RK	AEK
B-1	ALL	RELEASE FOR PRODUCTION	8/7/13	PXEC0052	RK	AEK
C-1	ALL	CHANGED TANK PSI FROM 200 TO 165	04/26/18	PXEC0229	DMS	GES

MINIMUM RECOMMENDED ELECTRICAL PANEL CLEARANCE PER OSHA/NEC REQUIREMENTS



SYMBOL LEGEND ⊖ = MINUS DRAFT ⊕ = PLUS DRAFT TOLERANCES NOT SPECIFIED .XX ± .XXX ± \angle(DEG.) ±		= ADDITIONAL CONTROL REQ'D = BRINELL HARDNESS		Drawings to conform to the current revision of the following ANSI standards: Y14.3 Multi and sectional view dsgs. Y14.5M Dimensioning and tolerancing
AUTOCAD REL2008 LT INCH		DO NOT SCALE DRAWING FOR DIMENSIONS Sheet 3 of 5 SCALE 1:12		
CONFIDENTIAL DISCLOSURE This drawing is the property of POWEREX, INC. of the SCOTT FETZER COMPANY and subject to return on demand. Its contents are confidential and must not be copied or submitted to outside parties for use or examination.				
DRAWN BY RK 8/6/13	CHECKED BY AEK 8/7/13	APPROVED BY ENGINEERING JA 8/7/12	MFG/MRKTG CT 8/7/12	
MATERIAL N/A		POWEREX 150 PRODUCTION DRIVE, HARRISON, OHIO 43030 Ph: 888-769-7979 FAX: (513) 367-3125		
PART NAME DRYER PACKAGE SKID 39.5" x 90"		DWG NO LTRE1007	SIZE D	

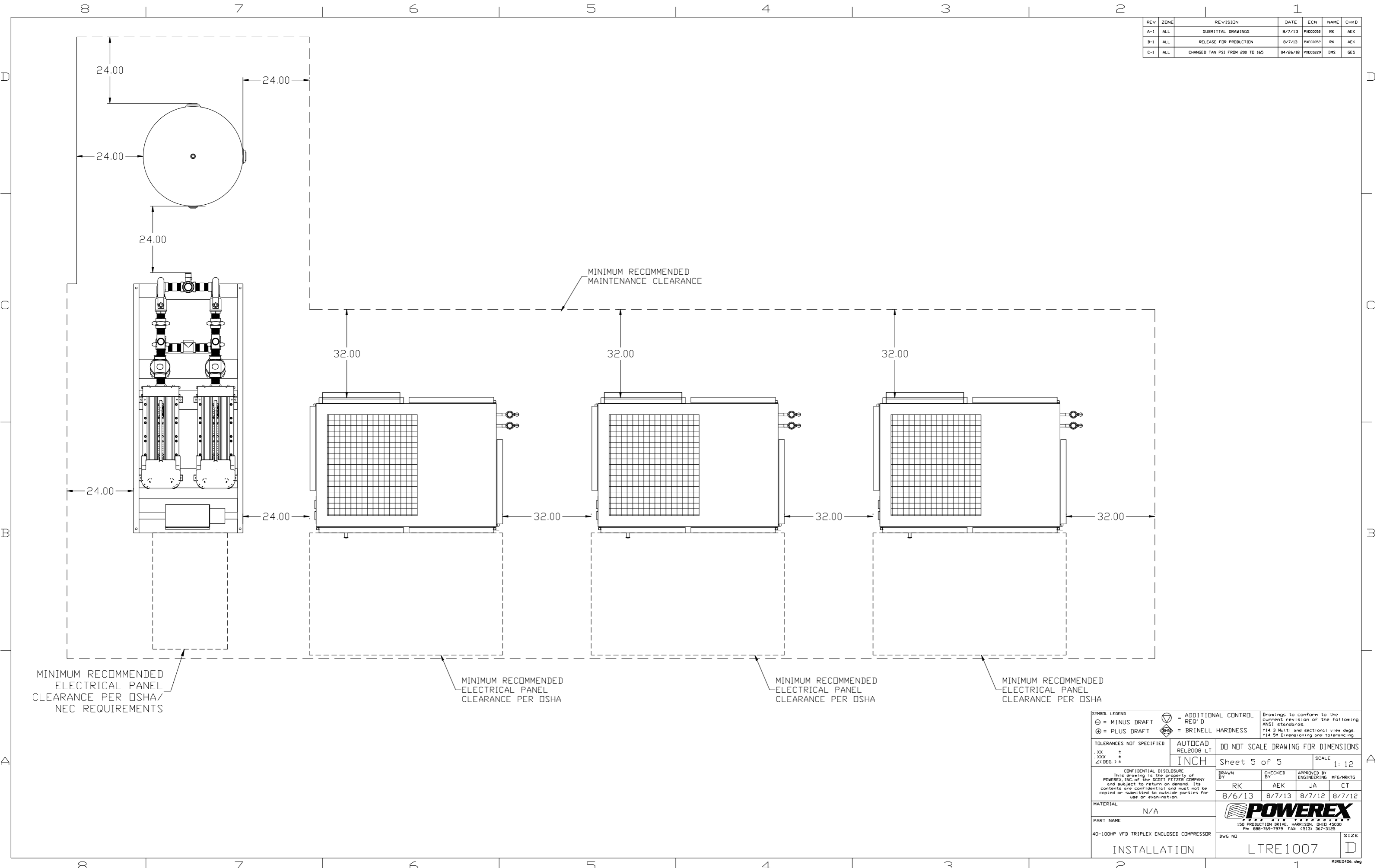
REV	ZONE	REVISION	DATE	ECN	NAME	CHKD
A-1	ALL	SUBMITTAL DRAWINGS	8/7/13	PXC0092	RK	AEK
B-1	ALL	RELEASE FOR PRODUCTION	8/7/13	PXC0092	RK	AEK
C-1	ALL	CHANGED TANK PSI FROM 200 TO 165	04/26/18	PXC0229	DMS	GES



LEGEND	
	RELIEF VALVE
	AIR FILTER
	CARBON FILTER
	BALL VALVE
	REGULATOR
	SEPARATOR
	FLEX LINE
	UNION
	CHECK VALVE

SYMBOL LEGEND		= ADDITIONAL CONTROL REQ'D		Drawings to conform to the current revision of the following ANSI standards:	
⊖ = MINUS DRAFT		= BRINELL HARDNESS		Y14.3 Multi- and sectional view deqs	
⊕ = PLUS DRAFT				Y14.5M Dimensioning and tolerancing	
TOLERANCES NOT SPECIFIED		AUTOCAD REL2008 LT		DO NOT SCALE DRAWING FOR DIMENSIONS	
.XX ±		INCH		Sheet 4 of 5	
.XXX ±				SCALE 1:12	
<<DEG>> ±					
CONFIDENTIAL DISCLOSURE: This drawing is the property of POWEREX, INC. of the SCOTT FETZER COMPANY and subject to return on demand. Its contents are confidential and must not be copied or submitted to outside parties for use or examination.					
DRAWN BY		CHECKED BY		APPROVED BY	
RK		AEK		JA CT	
8/6/13		8/7/13		8/7/12 8/7/12	
MATERIAL N/A					
PART NAME DUPLEX VFD ENCLOSED COMPRESSOR					
FLOW SCHEMATIC					
DWG NO LTR1007				SIZE D	

REV	ZONE	REVISION	DATE	ECN	NAME	CHKD
A-1	ALL	SUBMITTAL DRAWINGS	8/7/13	PKEC0052	RK	AEK
B-1	ALL	RELEASE FOR PRODUCTION	8/7/13	PKEC0052	RK	AEK
C-1	ALL	CHANGED TAN PSI FROM 200 TO 165	04/26/18	PKEC0229	DMS	GES



SYMBOL LEGEND ⊖ = MINUS DRAFT ⊕ = PLUS DRAFT TOLERANCES NOT SPECIFIED .XX ± .XXX ± \angle(DEG) ±		= ADDITIONAL CONTROL REQ'D = BRINELL HARDNESS		Drawings to conform to the current revision of the following ANSI standards: Y14.3 Multi and sectional view dgs. Y14.5M Dimensioning and tolerancing	
AUTOCAD REL2008 LT INCH		DO NOT SCALE DRAWING FOR DIMENSIONS Sheet 5 of 5 SCALE 1:12			
CONFIDENTIAL DISCLOSURE This drawing is the property of POWEREX, INC. of the SCOTT FETZER COMPANY and subject to return on demand. Its contents are confidential and must not be copied or submitted to outside parties for use or examination.					
DRAWN BY RK		CHECKED BY AEK		APPROVED BY ENGINEERING MFG/MKTG JA CT	
8/6/13		8/7/13		8/7/12 8/7/12	
MATERIAL N/A					
PART NAME 40-100HP VFD TRIPLEX ENCLOSED COMPRESSOR				150 PRODUCTION DRIVE, HARRISON, OHIO 45030 Ph: 888-769-7979 FAX: (513) 367-3125	
INSTALLATION				DWG NO LTRE1007	
				SIZE D	