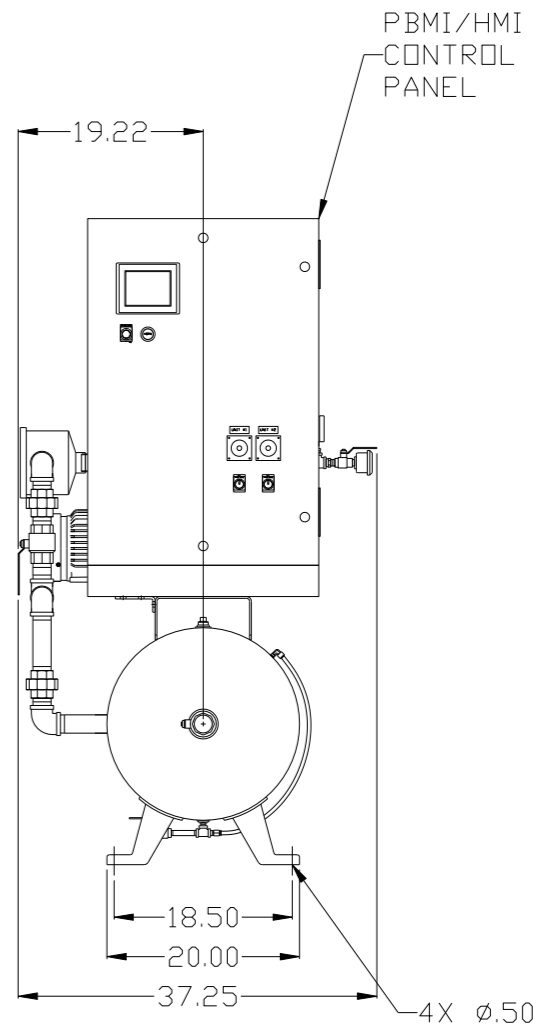
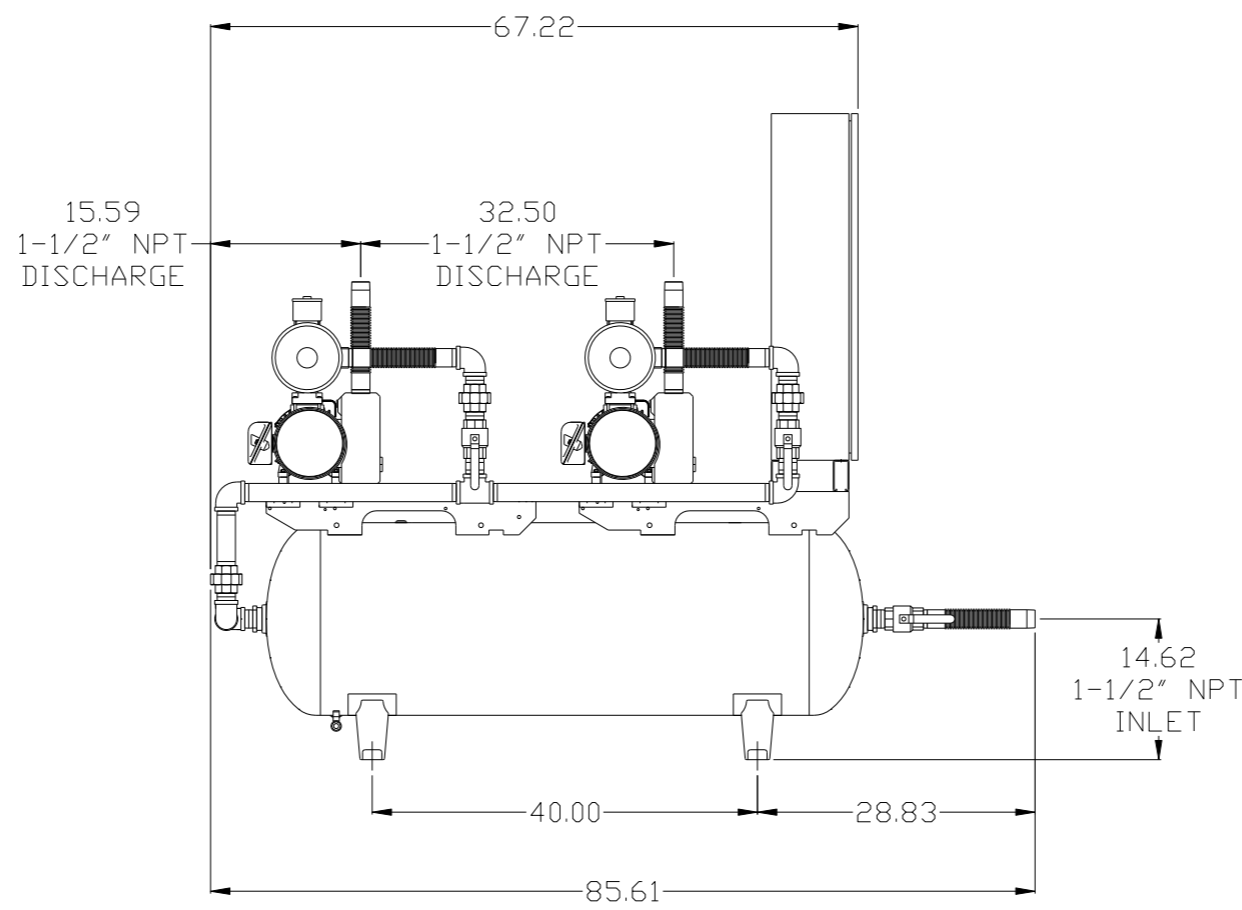
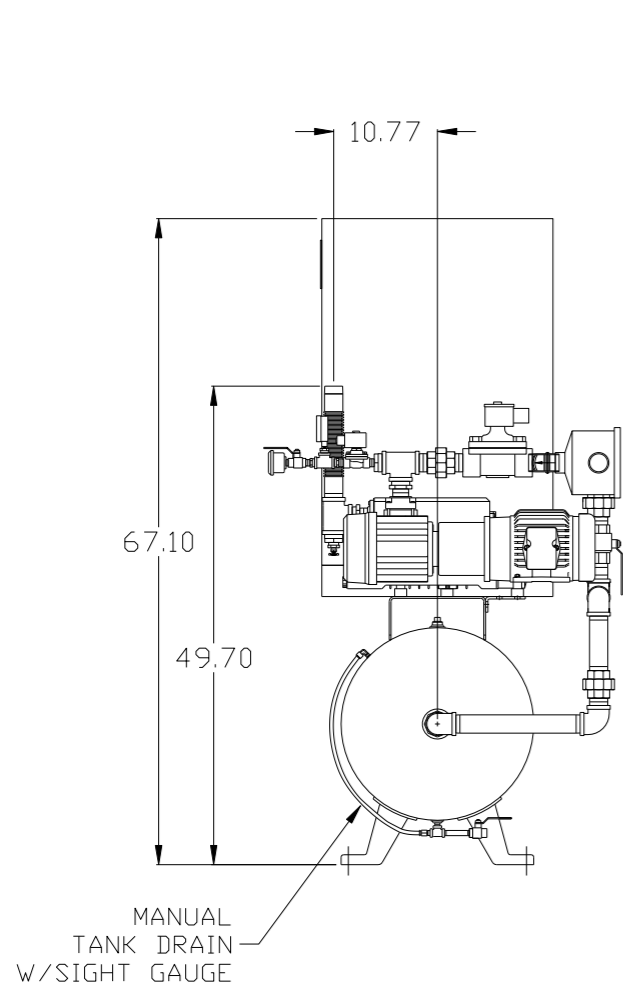


REV	ZONE	REVISION	DATE	ECN	NAME	CHKD
B-1	ALL	RELEASE TO PRODUCTION	1/2/13	PREC003	GES	DMS



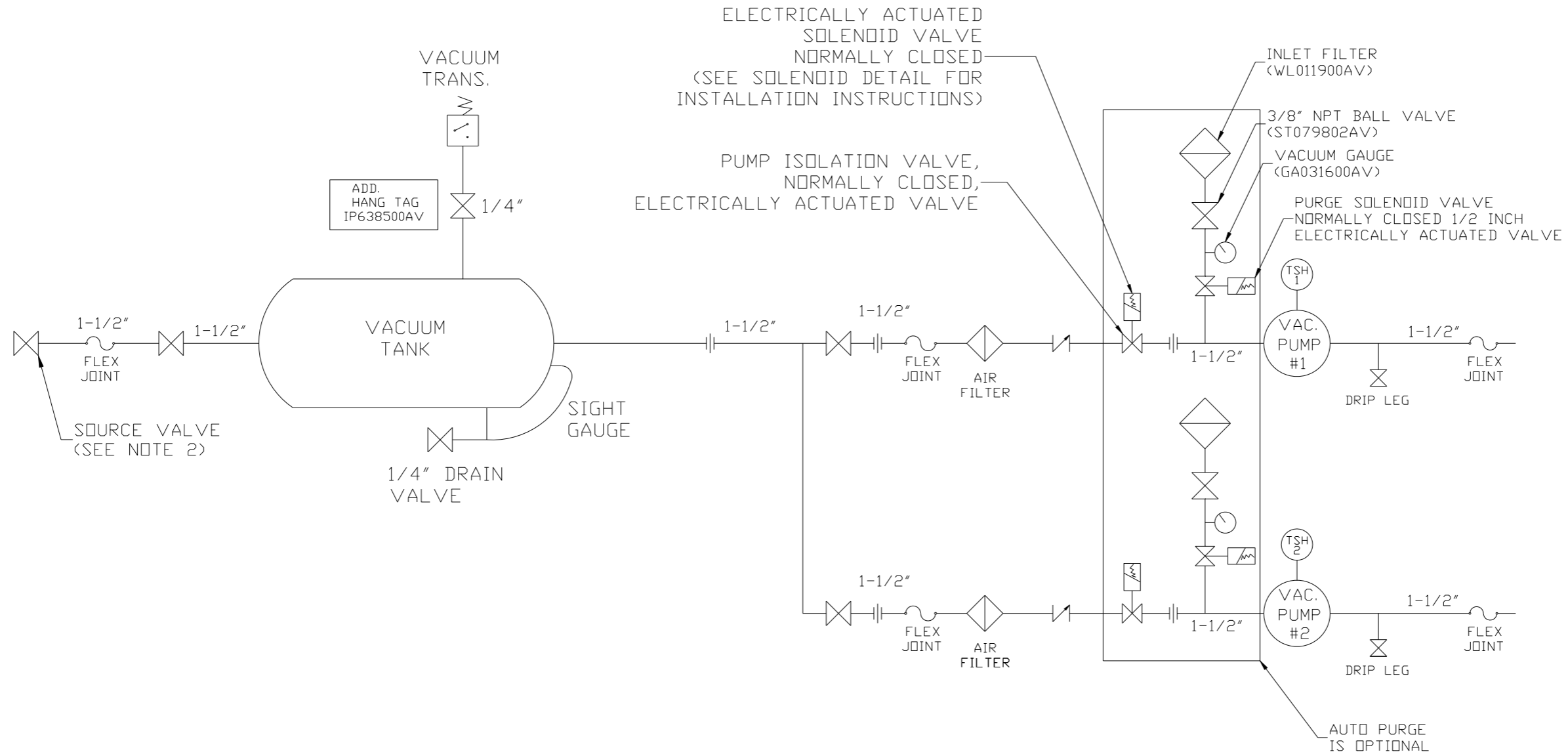
NOTE: A MINIMUM OF 24" CLEARANCE IS RECOMMENDED AROUND THE ENTIRE UNIT. THERE IS ALSO A MINIMUM RECOMMENDED ELECTRICAL PANEL CLEARANCE PER OSHA/ NEC.

NOTE: SYSTEM DESIGNED IN COMPLIANCE WITH U.S. NFPA '99, LATEST EDITION.

NOTE: AUTO PURGE IS OPTIONAL.

<b>SYMBOL LEGEND</b> ⊖ = MINUS DRAFT    ⊕ = PLUS DRAFT ⊕ = ADDITIONAL CONTROL REQ'D ⊕ = BRINELL HARDNESS		Drawings to conform to the current revision of the following ANSI standards: Y14.3 Multi and sectional view dgs. Y14.5M Dimensioning and tolerancing	
TOLERANCES NOT SPECIFIED .XX ± .XXX ± <DEG> ±		AUTOCAD REL2008 LT <b>INCH</b>	
<b>CONFIDENTIAL DISCLOSURE</b> This drawing is the property of POWEREX, INC. of the SCOTT FELTZER COMPANY and subject to return on demand. Its contents are confidential and must not be copied or submitted to outside parties for use or examination.		<b>DO NOT SCALE DRAWING FOR DIMENSIONS</b> Sheet 1 of 2    SCALE 1:10	
DRAWN BY: GES CHECKED BY: DMS 11/29/12    1/2/13		APPROVED BY: JBC, CT 1/2/13    1/2/13	
MATERIAL: N/A PART NAME: 2HP LAB VACUUM HORIZONTAL DUPLEX 80G TANK MOUNTED		<b>POWEREX</b> 150 PRODUCTION DRIVE, HARRISON, OHIO 45030 Ph: 888-769-7979 FAX: (513) 367-3125	
DWG NO: LVD0203		SIZE: D	

REV	ZONE	REVISION	DATE	ECN	NAME	CHK'D
B-1	ALL	RELEASE TO PRODUCTION	1/2/13	PRE0003	GES	DMS



ADD.  
HANG TAG  
IP638500AV

ELECTRICALLY ACTUATED  
SOLENOID VALVE  
NORMALLY CLOSED  
(SEE SOLENOID DETAIL FOR  
INSTALLATION INSTRUCTIONS)

PUMP ISOLATION VALVE,  
NORMALLY CLOSED,  
ELECTRICALLY ACTUATED VALVE

INLET FILTER  
(WL011900AV)

3/8" NPT BALL VALVE  
(ST079802AV)

VACUUM GAUGE  
(GA031600AV)

PURGE SOLENOID VALVE  
NORMALLY CLOSED 1/2 INCH  
ELECTRICALLY ACTUATED VALVE

TSH 1

VAC. PUMP #1

DRIP LEG

TSH 2

VAC. PUMP #2

DRIP LEG

AUTO PURGE  
IS OPTIONAL

NOTE:  
A 1/4 INCH VENT PLUG IS  
LOCATED IN THE FILTER HOUSING.

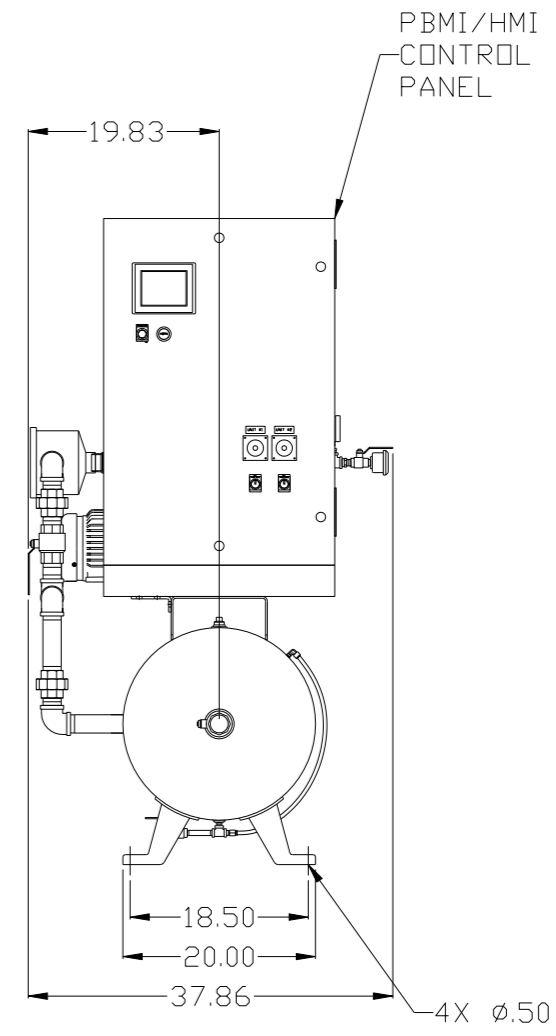
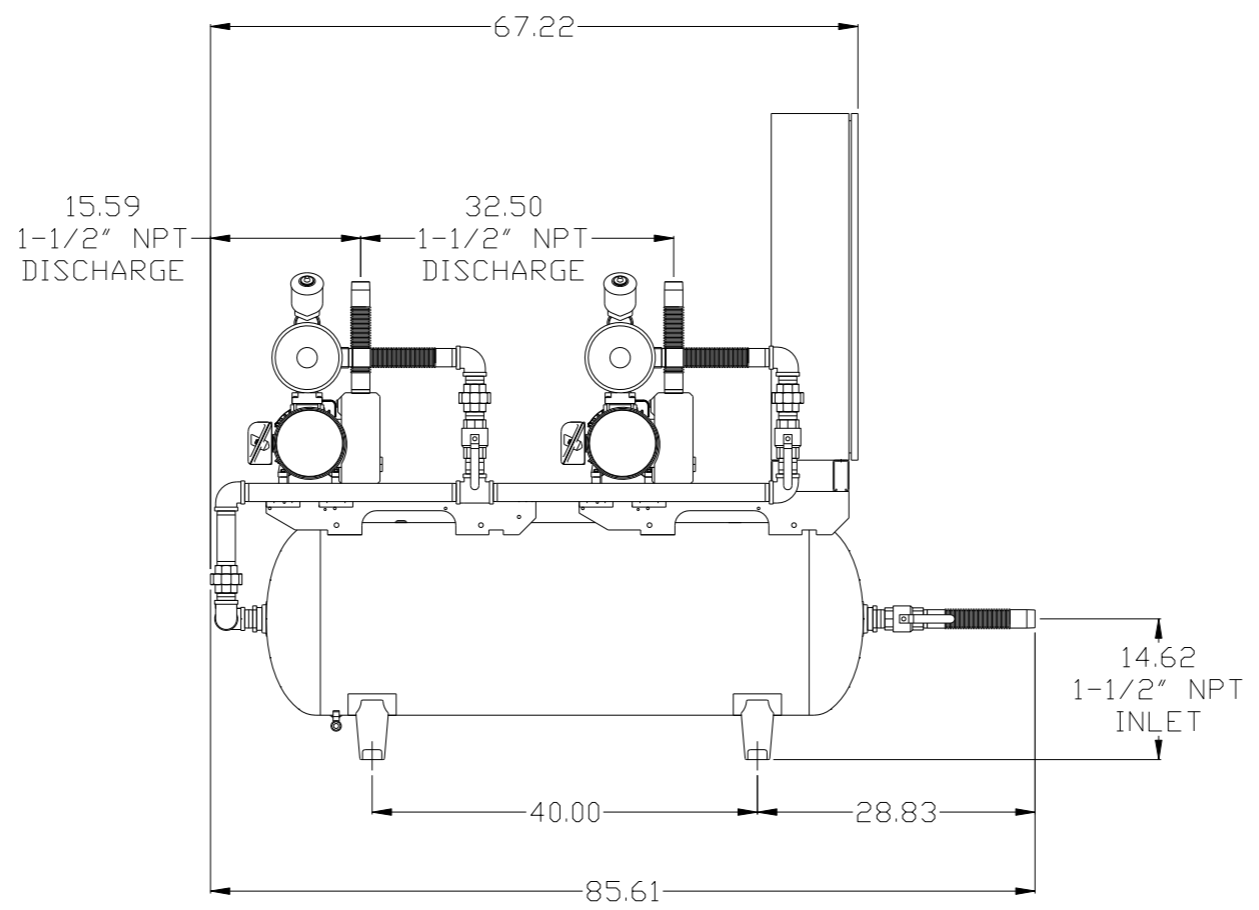
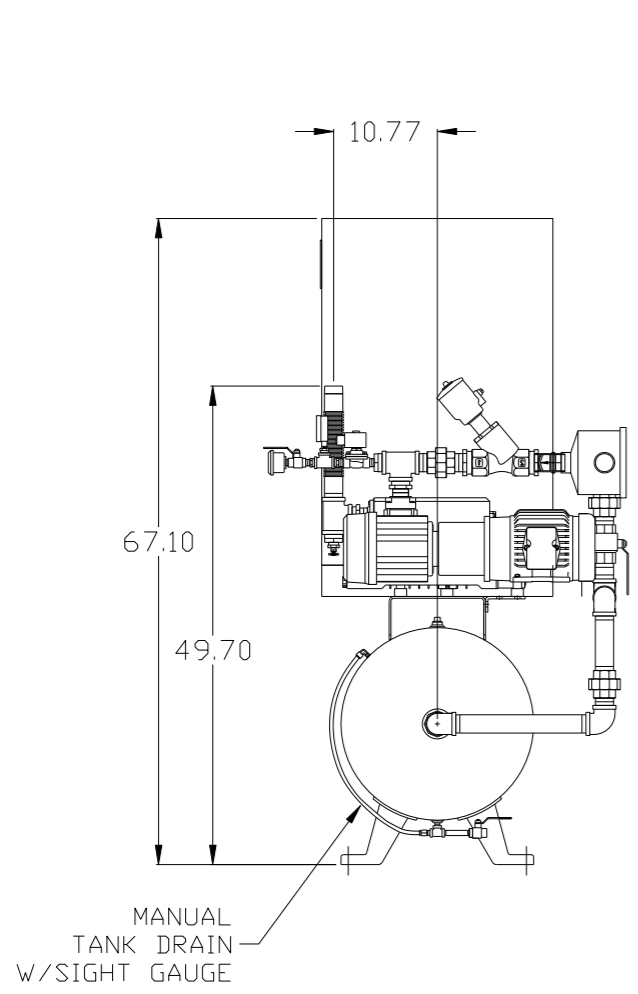
LEGEND

	TEMP. SWITCH		VACUUM SWITCH
	BUTTERFLY VALVE		CHECK VALVE
	AIR FILTER		FLEX LINE
	BALL VALVE		UNION

NOTE:  
1) TSH - TEMPERATURE SWITCH HIGH  
2) PER NFPA THE SYSTEM WILL REQUIRE A SOURCE VALVE (SUPPLIED BY OTHERS).

SYMBOL LEGEND			= ADDITIONAL CONTROL REQ'D		Drawings to conform to the current revision of the following ANSI standards:	
	= MINUS DRAFT		= BRINELL HARDNESS		Y14.3 Multi and sectional view dgs. Y14.5M Dimensioning and tolerancing	
TOLERANCES NOT SPECIFIED		AUTOCAD REL2008 LT	DO NOT SCALE DRAWING FOR DIMENSIONS		SCALE 1: 10	
.XX ±		INCH	Sheet 2 of 2			
.XXX ±						
<<DEG ±						
CONFIDENTIAL DISCLOSURE This drawing is the property of POWEREX, INC. of the SCOTT FETZER COMPANY and subject to return on demand. Its contents are confidential and must not be copied or submitted to outside parties for use or examination.						
DRAWN BY	CHECKED BY	APPROVED BY	MFG/MRK'G			
GES	DMS	JBC	CT			
11/29/12	1/2/13	1/2/13	1/2/13			
MATERIAL			N/A			
PART NAME			DUPLIX LAB VACUUM FLOW SCHEMATIC			
DWG NO			LVD0203		SIZE D	

REV	ZONE	REVISION	DATE	ECN	NAME	CHKD
B-1	ALL	RELEASE TO PRODUCTION	1/2/13	PRE0003	GES	DMS



NOTE: AUTO PURGE IS OPTIONAL.

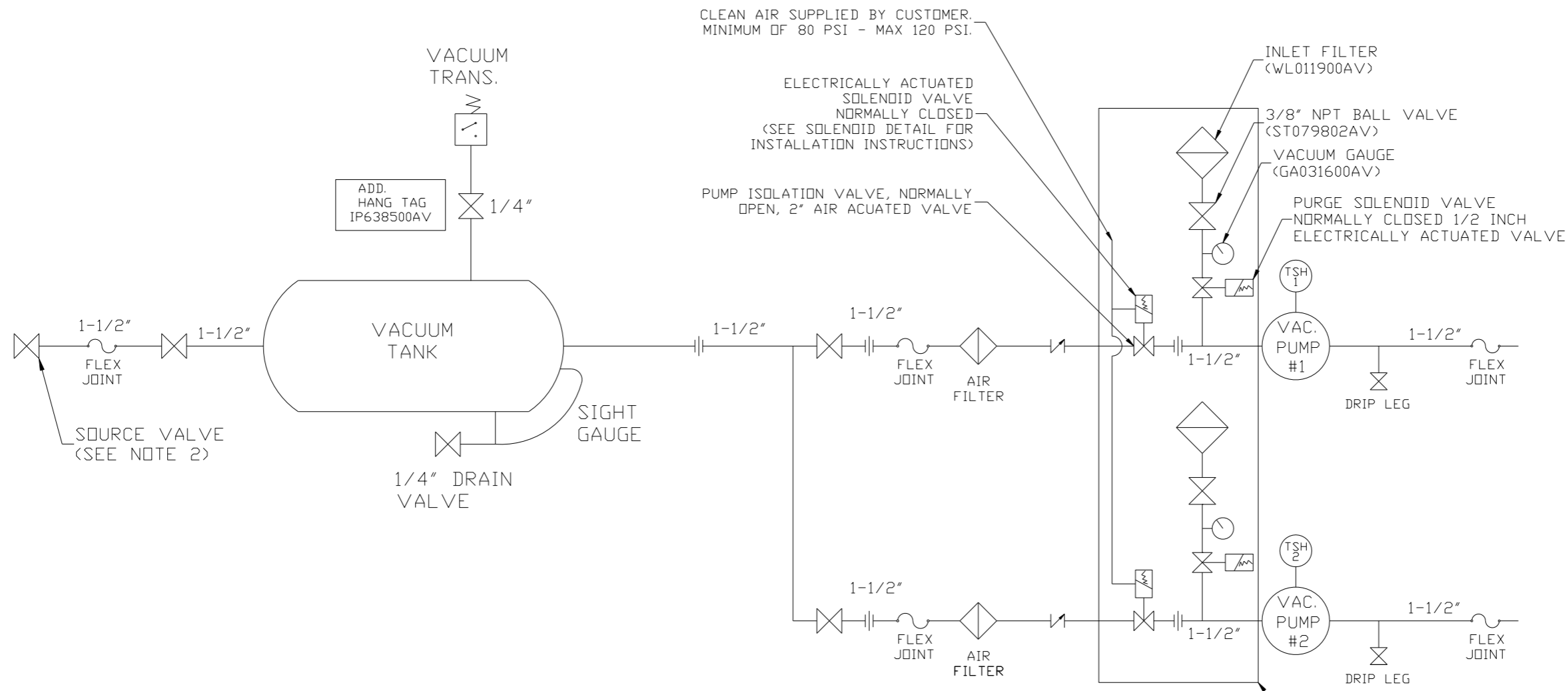
NOTE: A MINIMUM OF 24" CLEARANCE IS RECOMMENDED AROUND THE ENTIRE UNIT. THERE IS ALSO A MINIMUM RECOMMENDED ELECTRICAL PANEL CLEARANCE PER OSHA/ NEC.

NOTE: SYSTEM DESIGNED IN COMPLIANCE WITH U.S. NFPA '99, LATEST EDITION.

<b>SYMBOL LEGEND</b> ⊖ = MINUS DRAFT ⊕ = PLUS DRAFT .XX ± .XXX ± <DEG> ±		= ADDITIONAL CONTROL REQ'D = BRINELL HARDNESS		Drawings to conform to the current revision of the following ANSI standards: Y14.3 Multi and sectional view dgs. Y14.5M Dimensioning and tolerancing	
TOLERANCES NOT SPECIFIED AUTOCAD REL2008 LT INCH		DO NOT SCALE DRAWING FOR DIMENSIONS Sheet 1 of 2 SCALE 1:10		<b>CONFIDENTIAL DISCLOSURE</b> This drawing is the property of POWEREX, INC. of the SCOTT FELTZER COMPANY and subject to return on demand. Its contents are confidential and must not be copied or submitted to outside parties for use or examination.	
MATERIAL N/A		DRAWN BY GES		CHECKED BY DMS	
PART NAME 2HP LAB VACUUM HORIZONTAL DUPLEX 80G TANK MOUNTED		APPROVED BY JBC		MFG/MKTG CT	
DWG NO LVD0203		DATE 11/29/12		DATE 1/2/13	
SIZE D		DATE 1/2/13		DATE 1/2/13	



REV	ZONE	REVISION	DATE	ECN	NAME	CHKD
B-1	ALL	RELEASE TO PRODUCTION	1/2/13	PRE0003	GES	DMS



CLEAN AIR SUPPLIED BY CUSTOMER.  
MINIMUM OF 80 PSI - MAX 120 PSI.

ELECTRICALLY ACTUATED  
SOLENOID VALVE  
NORMALLY CLOSED  
(SEE SOLENOID DETAIL FOR  
INSTALLATION INSTRUCTIONS)

PUMP ISOLATION VALVE, NORMALLY  
OPEN, 2" AIR ACUATED VALVE

INLET FILTER  
(WL011900AV)

3/8" NPT BALL VALVE  
(ST079802AV)

VACUUM GAUGE  
(GA031600AV)

PURGE SOLENOID VALVE  
NORMALLY CLOSED 1/2 INCH  
ELECTRICALLY ACTUATED VALVE

1-1/2"  
FLEX JOINT

SOURCE VALVE  
(SEE NOTE 2)

VACUUM  
TRANS.

ADD.  
HANG TAG  
IP638500AV

VACUUM  
TRANS.

1/4"

VACUUM  
TANK

SIGHT  
GAUGE

1/4" DRAIN  
VALVE

1-1/2"

1-1/2"

FLEX JOINT  
AIR FILTER

1-1/2"

VAC.  
PUMP  
#1

DRIP LEG

1-1/2"

FLEX JOINT

1-1/2"

FLEX JOINT  
AIR FILTER

1-1/2"

VAC.  
PUMP  
#2

DRIP LEG

1-1/2"

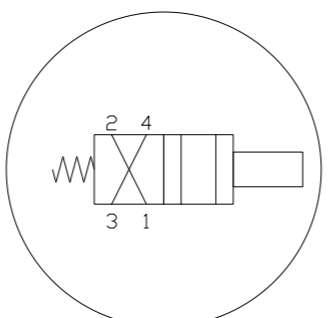
FLEX JOINT

NOTE:  
A 1/4 INCH VENT PLUG IS  
LOCATED IN THE FILTER HOUSING.

AUTO PURGE  
IS OPTIONAL

LEGEND

	TEMP. SWITCH		VACUUM SWITCH
	BUTTERFLY VALVE		CHECK VALVE
	AIR FILTER		FLEX LINE
	BALL VALVE		UNION

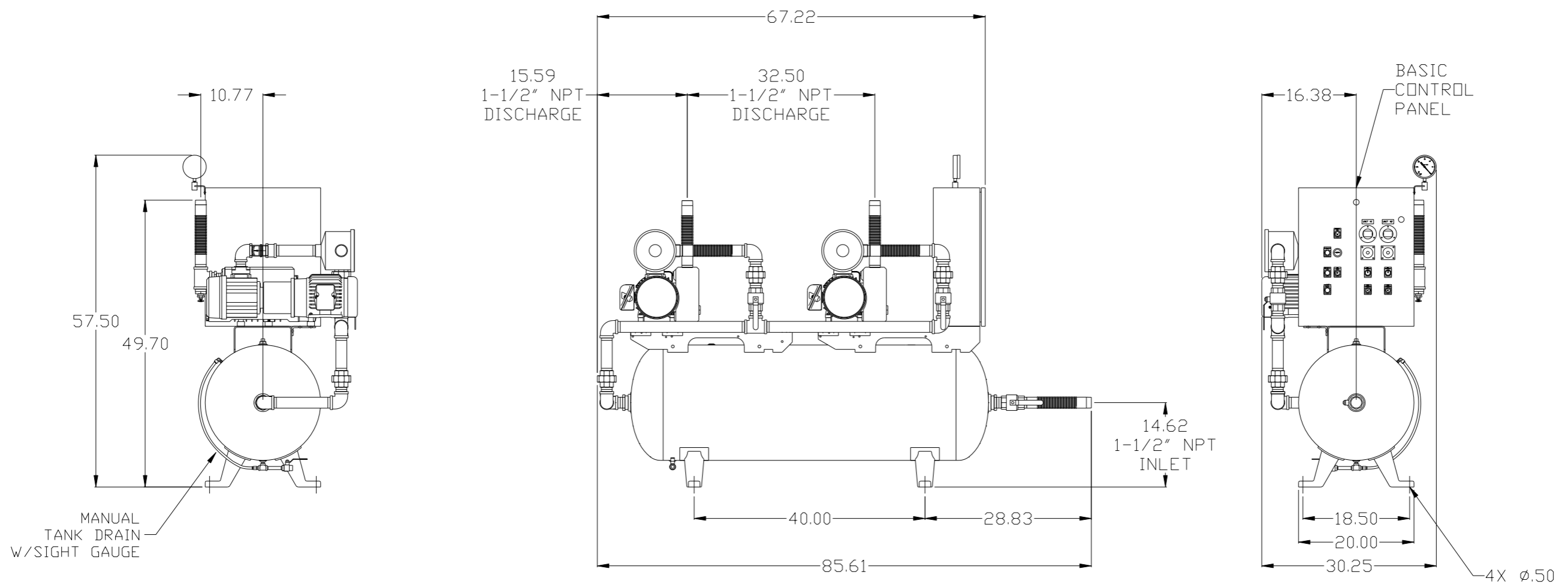


SOLENOID DETAIL:  
1) VALVE - INPUT #1  
2) MUFFLER - INPUT #2  
3) SUPPLY AIR - INPUT #4

NOTE:  
1) TSH - TEMPERATURE SWITCH HIGH  
2) PER NFPA THE SYSTEM WILL REQUIRE A SOURCE VALVE (SUPPLIED BY OTHERS).

SYMBOL LEGEND			= ADDITIONAL CONTROL	Drawings to conform to the current revision of the following ANSI standards:
	= MINUS DRAFT		= REQ'D	Y14.3 Multi and sectional view dgs.
	= PLUS DRAFT		= BRINELL HARDNESS	Y14.5M Dimensioning and tolerancing
TOLERANCES NOT SPECIFIED		AUTOCAD REL2008 LT		DO NOT SCALE DRAWING FOR DIMENSIONS
.XX ±		INCH		Sheet 2 of 2
.XXX ±				SCALE 1:10
<<DEG.>> ±				
CONFIDENTIAL DISCLOSURE This drawing is the property of POWEREX, INC. of the SCOTT FETZER COMPANY and subject to return on demand. Its contents are confidential and must not be copied or submitted to outside parties for use or examination.				
DRAWN BY	CHECKED BY	APPROVED BY	ENGINEERING	MFG/MRKTG
GES	DMS	JBC	CT	
11/29/12	1/2/13	1/2/13	1/2/13	
MATERIAL N/A				
PART NAME DUPLIX LAB VACUUM				
150 PRODUCTION DRIVE, HARRISON, OHIO 45030 Ph: 888-769-7979 FAX: (513) 367-3125				
DWG NO LVD0203			SIZE D	

REV	ZONE	REVISION	DATE	ECN	NAME	CHKD
B-1	ALL	RELEASE TO PRODUCTION	1/2/13	PRE0003	GES	DMS



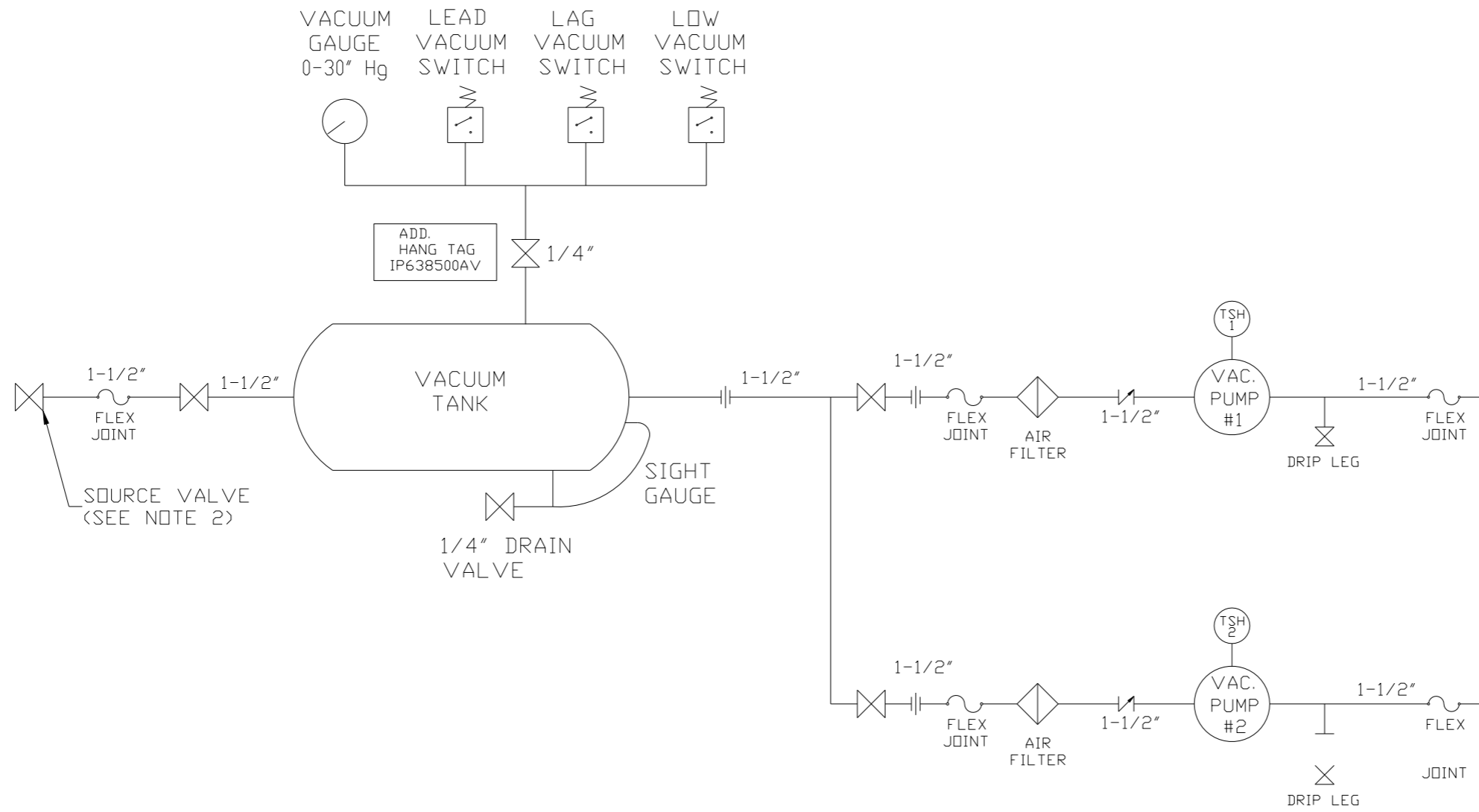
NOTE: A MINIMUM OF 24" CLEARANCE IS RECOMMENDED AROUND THE ENTIRE UNIT. THERE IS ALSO A MINIMUM RECOMMENDED ELECTRICAL PANEL CLEARANCE PER OSHA/ NEC.

NOTE: SYSTEM DESIGNED IN COMPLIANCE WITH U.S. NFPA '99, LATEST EDITION.

NOTE: AUTO PURGE IS OPTIONAL.

<b>SYMBOL LEGEND</b> ⊖ = MINUS DRAFT ⊕ = PLUS DRAFT .XX ± .XXX ± < (DEG) ±		= ADDITIONAL CONTROL REQ'D = BRINELL HARDNESS		Drawings to conform to the current revision of the following ANSI standards: Y14.3 Multi and sectional view dgs. Y14.5M Dimensioning and tolerancing
TOLERANCES NOT SPECIFIED AUTOCAD REL2008 LT INCH		DO NOT SCALE DRAWING FOR DIMENSIONS Sheet 1 of 2 SCALE 1:10		
<b>CONFIDENTIAL DISCLOSURE</b> This drawing is the property of POWEREX, INC. of the SCOTT FETZER COMPANY and subject to return on demand. Its contents are confidential and must not be copied or submitted to outside parties for use or examination.				
DRAWN BY GES		CHECKED BY DMS		APPROVED BY JBC CT
MATERIAL N/A		DATE 11/29/12		DATE 1/2/13
PART NAME 2HP LAB VACUUM HORIZONTAL DUPLEX 80G TANK MOUNTED		 150 PRODUCTION DRIVE, HARRISON, OHIO 45030 Ph: 888-769-7979 FAX: (513) 367-3125		DWG NO LVD0203 SIZE D

REV	ZONE	REVISION	DATE	ECN	NAME	CHKD
B-1	ALL	RELEASE TO PRODUCTION	1/2/13	PREC003	GES	DMS



NOTE:  
A 1/4 INCH VENT PLUG IS  
LOCATED IN THE FILTER HOUSING.

LEGEND

	TEMP. SWITCH		VACUUM SWITCH
	BUTTERFLY VALVE		CHECK VALVE
	AIR FILTER		FLEX LINE
	BALL VALVE		UNION

NOTE:  
1) TSH - TEMPERATURE SWITCH HIGH  
2) PER NFPA THE SYSTEM WILL REQUIRE A SOURCE VALVE (SUPPLIED BY OTHERS).

SYMBOL LEGEND ⊖ = MINUS DRAFT ⊕ = PLUS DRAFT		= ADDITIONAL CONTROL REQ'D = BRINELL HARDNESS		Drawings to conform to the current revision of the following ANSI standards: Y14.3 Multi and sectional view dgs. Y14.5M Dimensioning and tolerancing	
TOLERANCES NOT SPECIFIED .XX ± .XXX ± <math>\angle</math>(DEG.) ±		AUTOCAD REL2008 LT INCH		DO NOT SCALE DRAWING FOR DIMENSIONS Sheet 2 of 2 SCALE 1:10	
CONFIDENTIAL DISCLOSURE This drawing is the property of POWEREX, INC. of the SCOTT FETZER COMPANY and subject to return on demand. Its contents are confidential and must not be copied or submitted to outside parties for use or examination.					
DRAWN BY GES		CHECKED BY DMS		APPROVED BY ENGINEERING MFG/MKTG JBC CT	
MATERIAL N/A		DATE 11/29/12		DATE 1/2/13	
PART NAME DUPLEX LAB VACUUM FLOW SCHEMATIC		 150 PRODUCTION DRIVE, HARRISON, OHIO 45030 Ph: 888-769-7979 FAX: (513) 367-3125		DWG NO LVD0203	
				SIZE D	