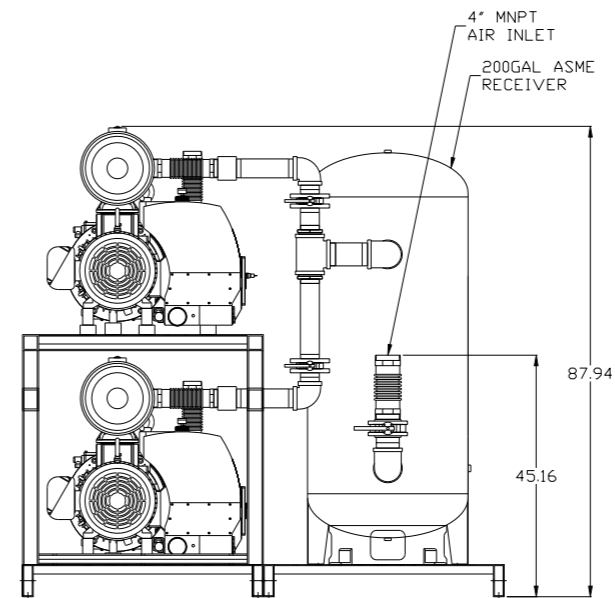
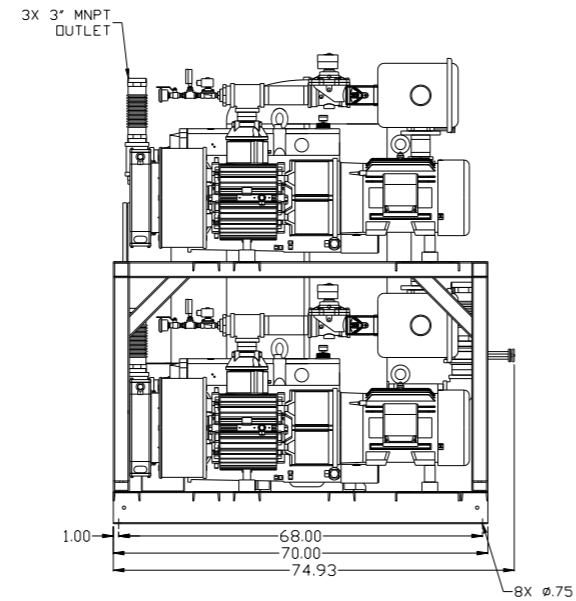
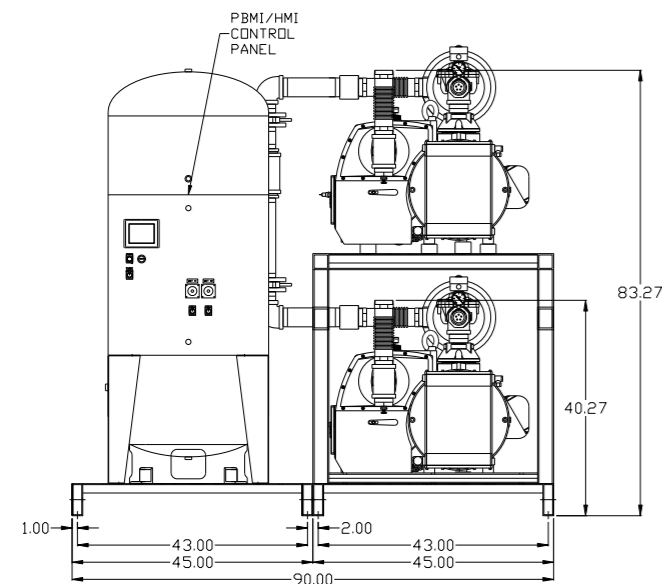
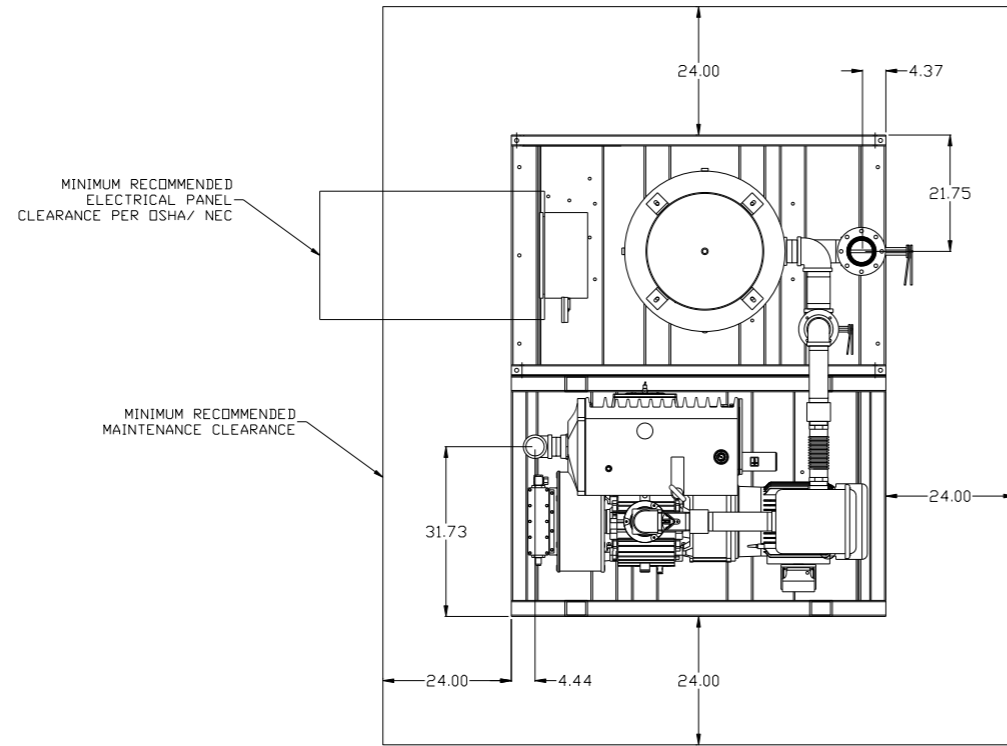


REV	ZONE	REVISION	DATE	ECN	NAME	CHKD
B-1	ALL	RELEASE TO PRODUCTION	1/2/13	PKE0003	BFH	DMS

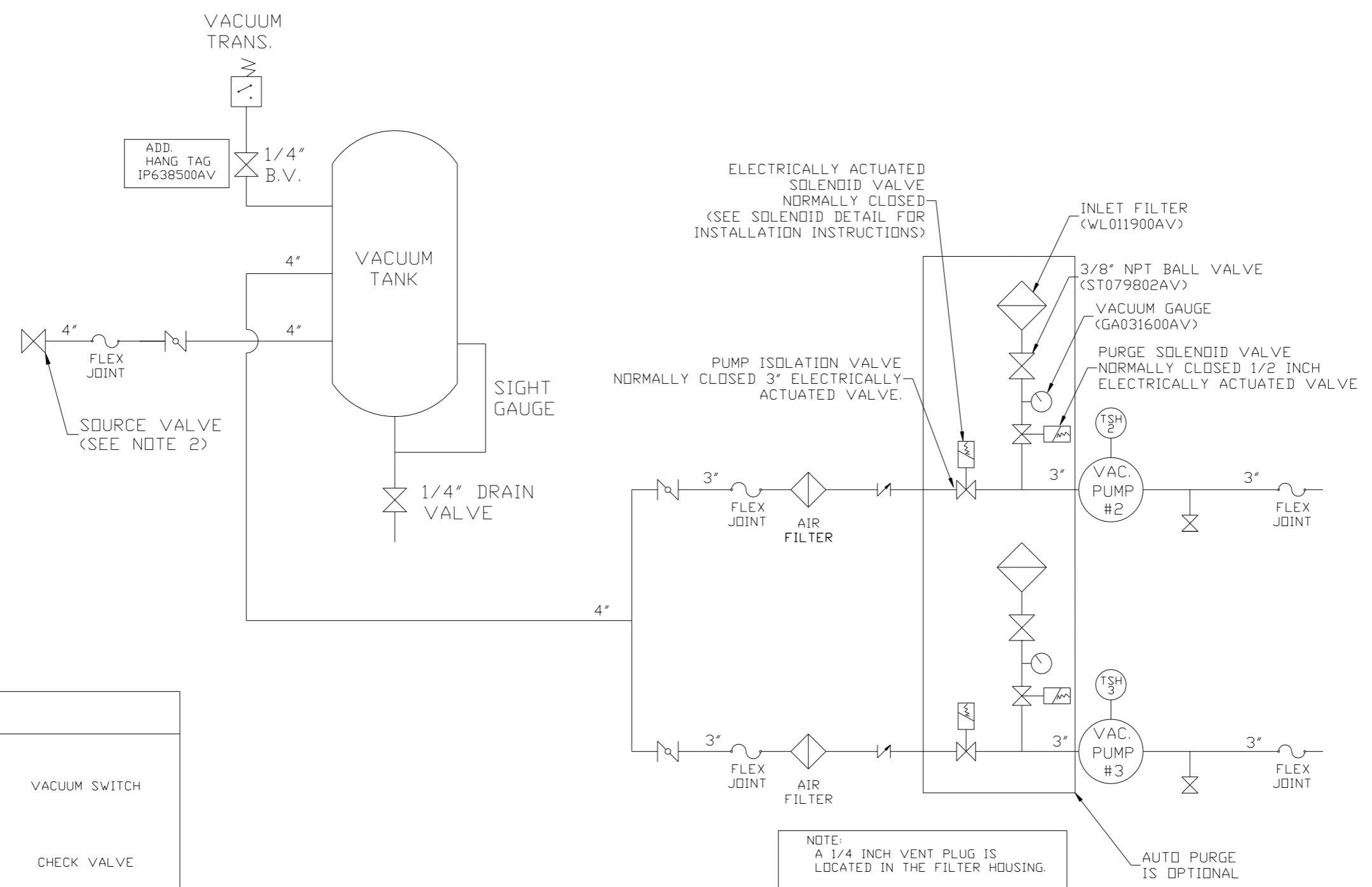


NOTE: AUTO PURGE IS OPTIONAL.

SYMBOL LEGEND		= ADDITIONAL CONTROL REQ'D		Drawings to conform to the current revision of the following ANSI standards: Y14.3 Multi and sectional view dgs. Y14.5M Dimensioning and tolerancing
⊖	MINUS DRAFT	⊕	PLUS DRAFT	
TOLERANCES NOT SPECIFIED		AUTOCAD REL2008 LT		DO NOT SCALE DRAWING FOR DIMENSIONS
.XX ±		INCH		SCALE 1:18
.XXX ±				
<DEG> ±				

CONFIDENTIAL DISCLOSURE This drawing is the property of POWEREX, INC. of the SCOTT FETZER COMPANY and subject to return on demand. Its contents are confidential and must not be copied or submitted to outside parties for use or examination.			
DRAWN BY	CHECKED BY	APPROVED BY	DATE
BFH	DMS	JBC	CT
11/15/12	1/2/13	1/2/13	1/2/13
MATERIAL N/A		PART NAME	
		20HP LAB VACUUM 200GAL DUPLEX	
DWG NO		SIZE	
LVPD2005		D	

REV	ZONE	REVISION	DATE	ECN	NAME	CHKD
B-1	ALL	RELEASE TO PRODUCTION	1/2/13	PKC0003	BFH	DMS



LEGEND

	TEMP. SWITCH		VACUUM SWITCH
	LOW OIL LEVEL SW.		CHECK VALVE
	AIR FILTER		FLEX LINE
	BALL VALVE		UNION
			BUTTERFLY VALVE

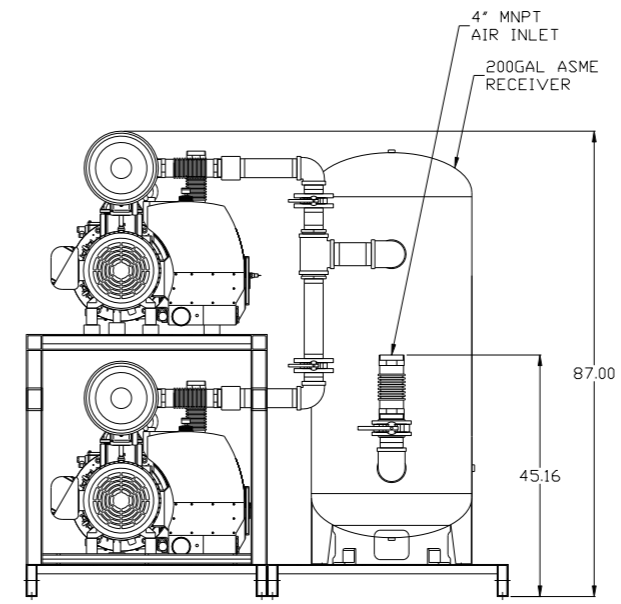
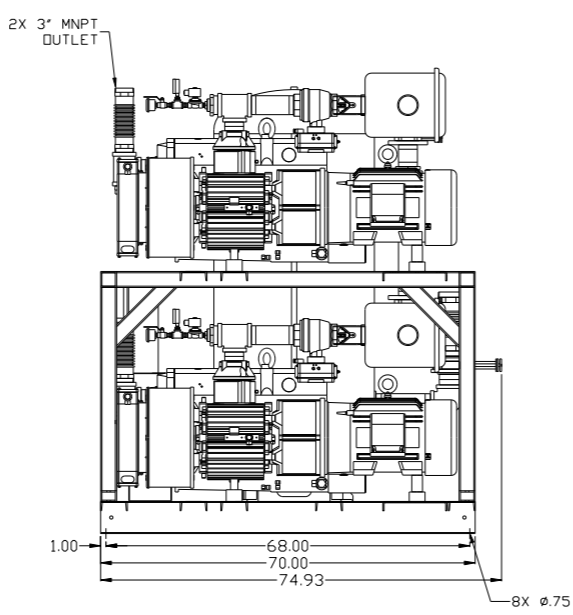
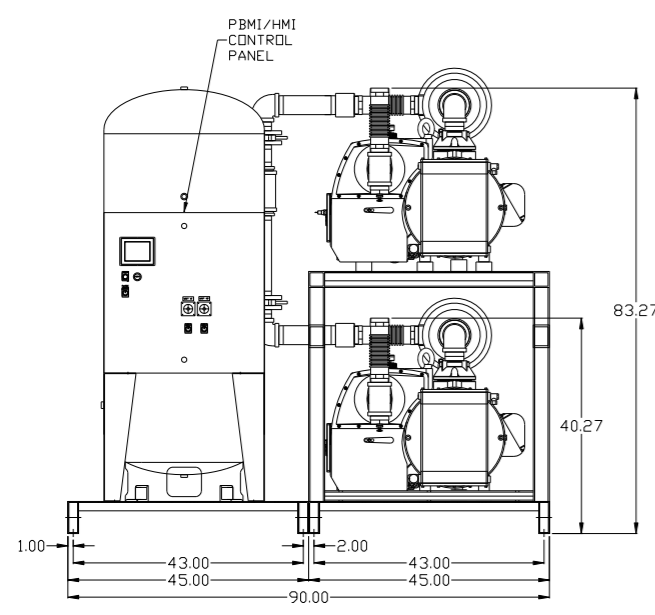
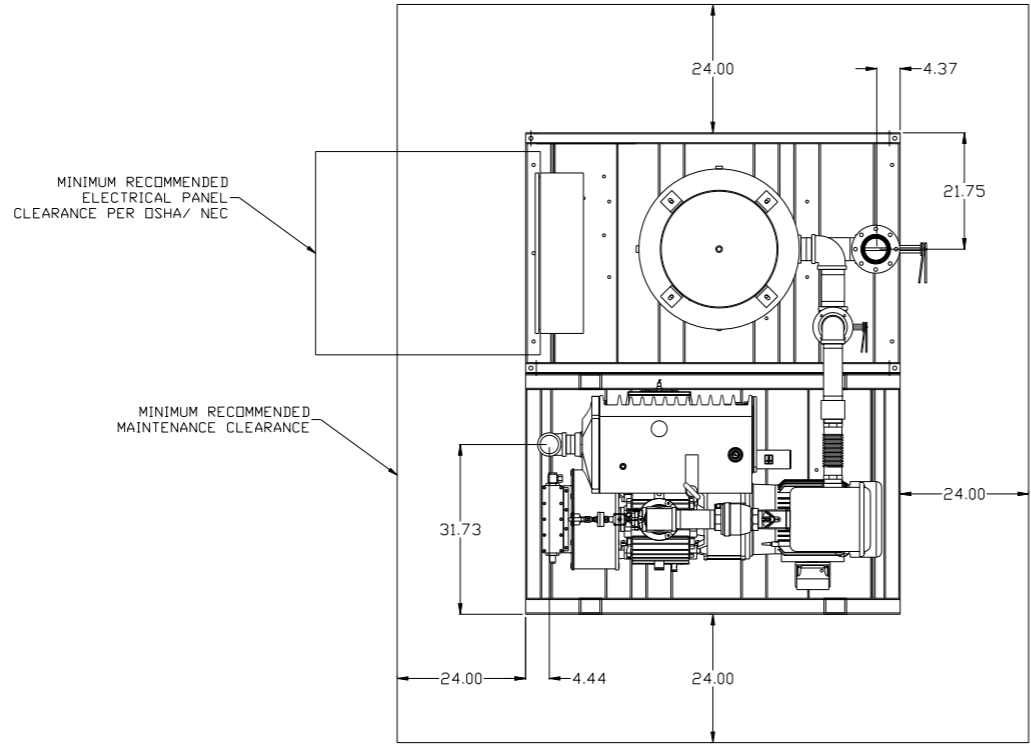
NOTE:
 1) TSH - TEMPERATURE SWITCH HIGH
 2) PER NFPA THE SYSTEM WILL REQUIRE A SOURCE VALVE (SUPPLIED BY OTHERS).

NOTE:
 A 1/4 INCH VENT PLUG IS LOCATED IN THE FILTER HOUSING.

AUTO PURGE IS OPTIONAL

SYMBOL LEGEND			ADDITIONAL CONTROL REQ'D	Drawings to conform to the current revision of the following ANSI standards	
	MINUS DRAFT		BRINELL HARDNESS	Y14.3 Multi and sectional view dsgs. Y14.5M Dimensioning and tolerancing	
TOLERANCES NOT SPECIFIED		AUTOCAD REL2008 LT		DO NOT SCALE DRAWING FOR DIMENSIONS	
.XX ±		INCH		Sheet 2 of 2	
.XXX ±				SCALE 1:16	
< < DEG > ±					
CONFIDENTIAL DISCLOSURE This drawing is the property of POWEREX, INC. of the SCOTT FETZER COMPANY and subject to return on demand. Its contents are confidential and must not be copied or submitted to outside parties for use or examination.					
DRAWN BY		CHECKED BY		APPROVED BY	
BFH		DMS		JBC CT	
11/15/12		1/2/13		1/2/13 1/2/13	
MATERIAL		N/A			
PART NAME		DUPLIX LAB VACUUM		150 PRODUCTION DRIVE, HARRISON, OHIO 45030 Ph 888-769-7979 FAX (513) 367-3125	
FLOW SCHEMATIC		DWG NO		LVPD2005	
		SIZE		D	

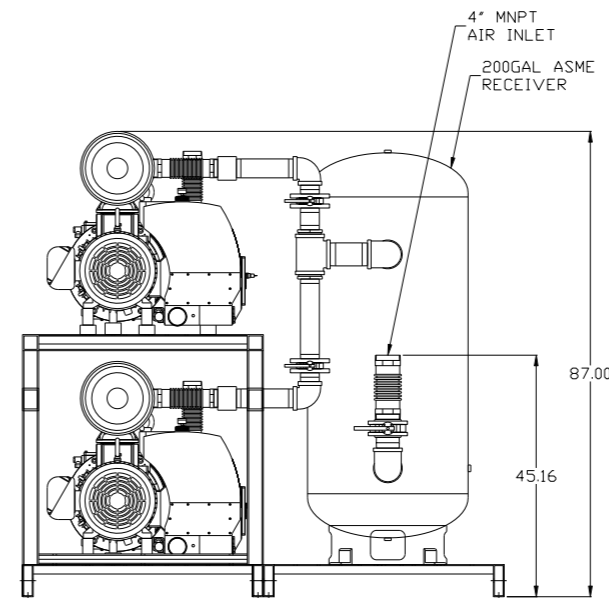
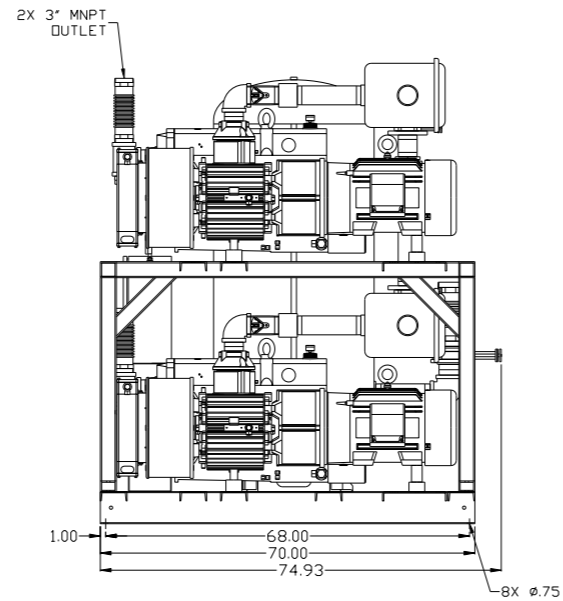
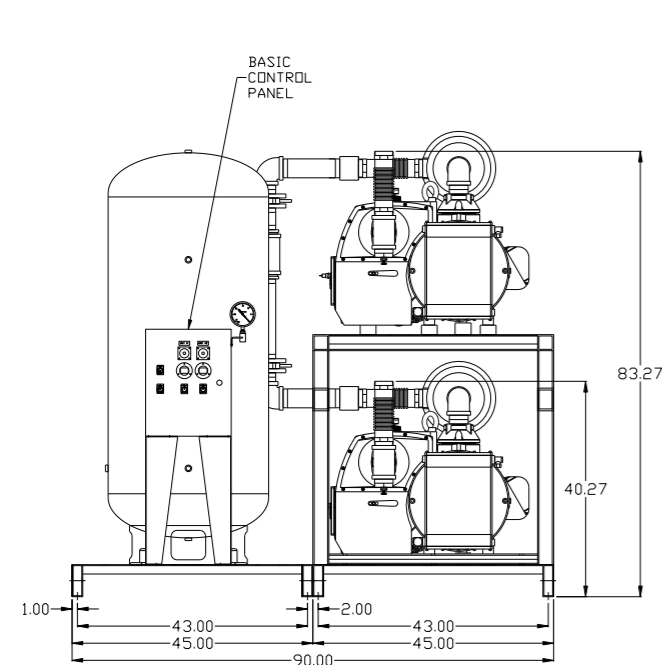
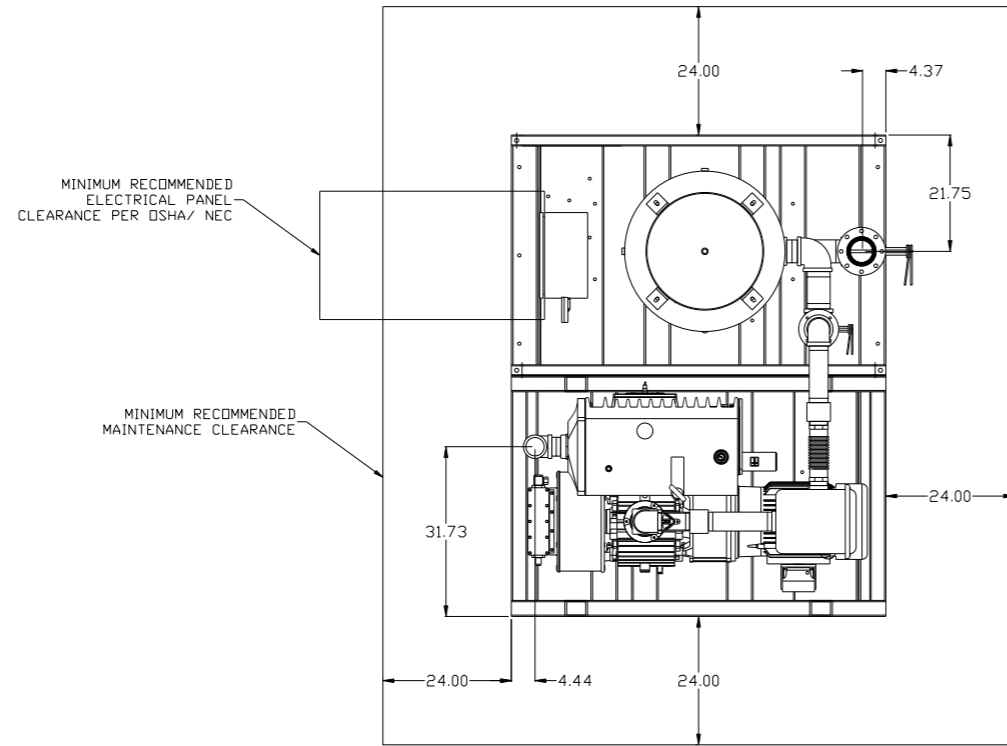
REV	ZONE	REVISION	DATE	ECN	NAME	CHKD
B-1	ALL	RELEASE TO PRODUCTION	1/2/13	PKE0003	BFH	DMS



NOTE: AUTO PURGE IS OPTIONAL.

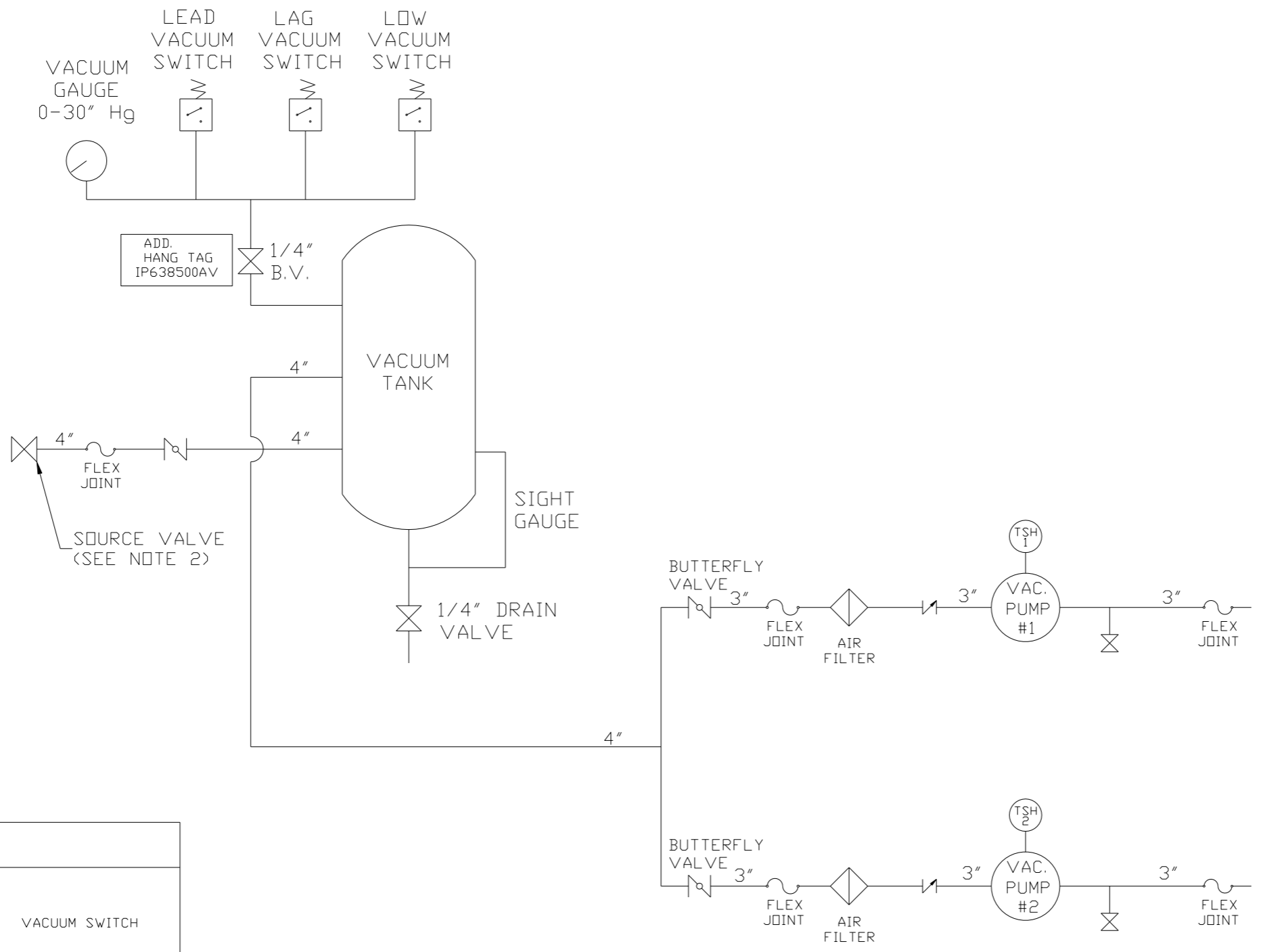
SYMBOL LEGEND ⊖ = MINUS DRAFT ⊕ = PLUS DRAFT .XX ± .XXX ± << DEG > ±		= ADDITIONAL CONTROL REQ'D = BRINELL HARDNESS		Drawings to conform to the current revision of the following ANSI standards: Y14.3 Multi and sectional view dsgs. Y14.5M Dimensioning and tolerancing	
TOLERANCES NOT SPECIFIED .XX ± .XXX ± << DEG > ±		AUTOCAD REL2008 LT INCH		DO NOT SCALE DRAWING FOR DIMENSIONS Sheet 1 of 2 SCALE 1:18	
CONFIDENTIAL DISCLOSURE This drawing is the property of POWEREX, INC. of the SCOTT FETZER COMPANY and subject to return on demand. Its contents are confidential and must not be copied or submitted to outside parties for use or examination.		DRAWN BY BFH	CHECKED BY DMS	APPROVED BY JBC	MFG/MRKTG CT
MATERIAL N/A		11/15/12 1/2/13 1/2/13 1/2/13		POWEREX 150 PRODUCTION DRIVE, HARRISON, OHIO 45030 Ph: 888-769-7979 FAX: (513) 367-3125	
PART NAME 20HP LAB VACUUM 200GAL DUPLEX		DWG NO LVPD2005		SIZE D	

REV	ZONE	REVISION	DATE	ECN	NAME	CHKD
B-1	ALL	RELEASE TO PRODUCTION	1/2/13	PKE0003	BFH	DMS



SYMBOL LEGEND ⊖ = MINUS DRAFT ⊕ = PLUS DRAFT .XX ± .XXX ± \angle (DEG) ±		= ADDITIONAL CONTROL REQ'D = BRINELL HARDNESS		Drawings to conform to the current revision of the following ANSI standards: Y14.3 Multi and sectional view dgs. Y14.5M Dimensioning and tolerancing	
TOLERANCES NOT SPECIFIED .XX ± .XXX ± \angle (DEG) ±		AUTOCAD REL2008 LT INCH		DO NOT SCALE DRAWING FOR DIMENSIONS Sheet 1 of 2 SCALE 1:18	
CONFIDENTIAL DISCLOSURE This drawing is the property of POWEREX, INC. of the SCOTT FETZER COMPANY and subject to return on demand. Its contents are confidential and must not be copied or submitted to outside parties for use or examination.					
DRAWN BY BFH		CHECKED BY DMS		APPROVED BY JBC CT	
MATERIAL N/A		DATE 11/15/12 1/2/13		DATE 1/2/13 1/2/13	
PART NAME 20HP LAB VACUUM 200GAL DUPLEX		DWG NO LVPD2005		SIZE D	

REV	ZONE	REVISION	DATE	ECN	NAME	CHKD
B-1	ALL	RELEASE TO PRODUCTION	1/2/13	PKC0003	BFH	DMS



LEGEND

	TEMP. SWITCH		VACUUM SWITCH
	LOW OIL LEVEL SW.		CHECK VALVE
	AIR FILTER		FLEX LINE
	BALL VALVE		UNION
			BUTTERFLY VALVE

NOTE:
A 1/4 INCH VENT PLUG IS
LOCATED IN THE FILTER HOUSING.

NOTE:
1) TSH - TEMPERATURE SWITCH HIGH
2) PER NFPA THE SYSTEM WILL REQUIRE A SOURCE VALVE (SUPPLIED BY OTHERS).

SYMBOL LEGEND = MINUS DRAFT = PLUS DRAFT = AIR FILTER = BALL VALVE		= ADDITIONAL CONTROL REQ'D = BRINELL HARDNESS		Drawings to conform to the current revision of the following ANSI standards: Y14.3 Multi and sectional view dings. Y14.5M Dimensioning and tolerancing	
TOLERANCES NOT SPECIFIED .XX ± .XXX ± \angle (DEG) ±		AUTOCAD REL2008 LT INCH		DO NOT SCALE DRAWING FOR DIMENSIONS Sheet 2 of 2 SCALE 1:16	
CONFIDENTIAL DISCLOSURE This drawing is the property of POWEREX, INC. of the SCOTT FETZER COMPANY and subject to return on demand. Its contents are confidential and must not be copied or submitted to outside parties for use or examination.					
DRAWN BY BFH		CHECKED BY DMS		APPROVED BY JBC CT	
11/15/12		1/2/13		1/2/13 1/2/13	
MATERIAL N/A		 150 PRODUCTION DRIVE, HARRISON, OHIO 45030 Ph 888-769-7979 FAX (513) 367-3125			
PART NAME DUPLEX LAB VACUUM FLOW SCHEMATIC		DWG NO LVPD2005		SIZE D	