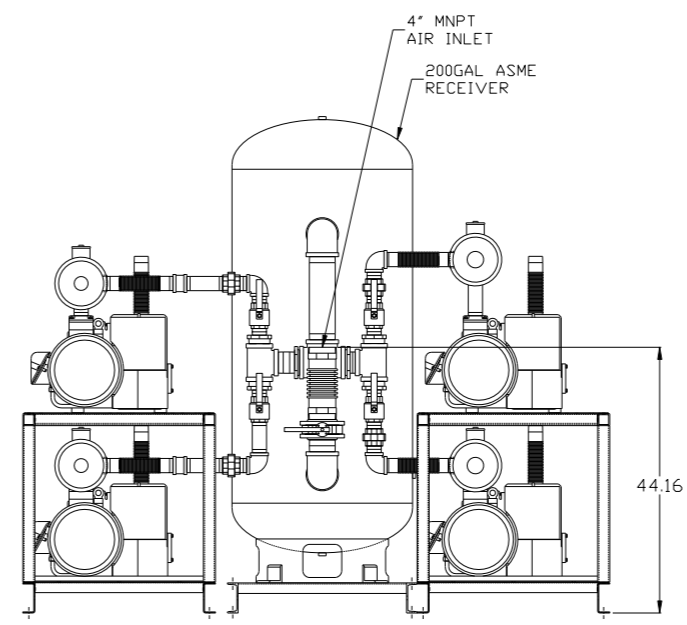
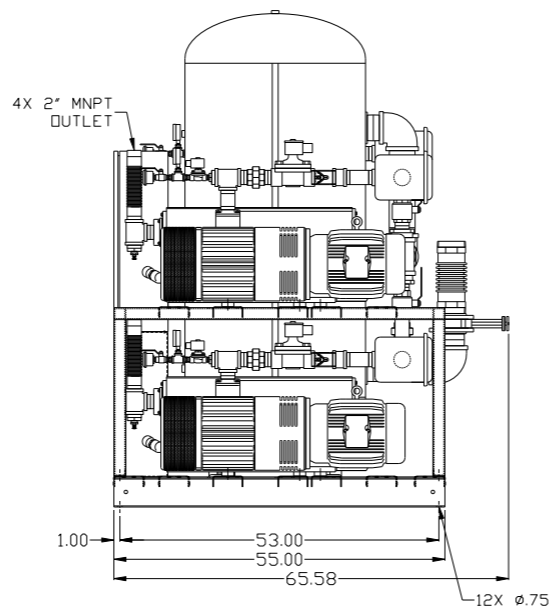
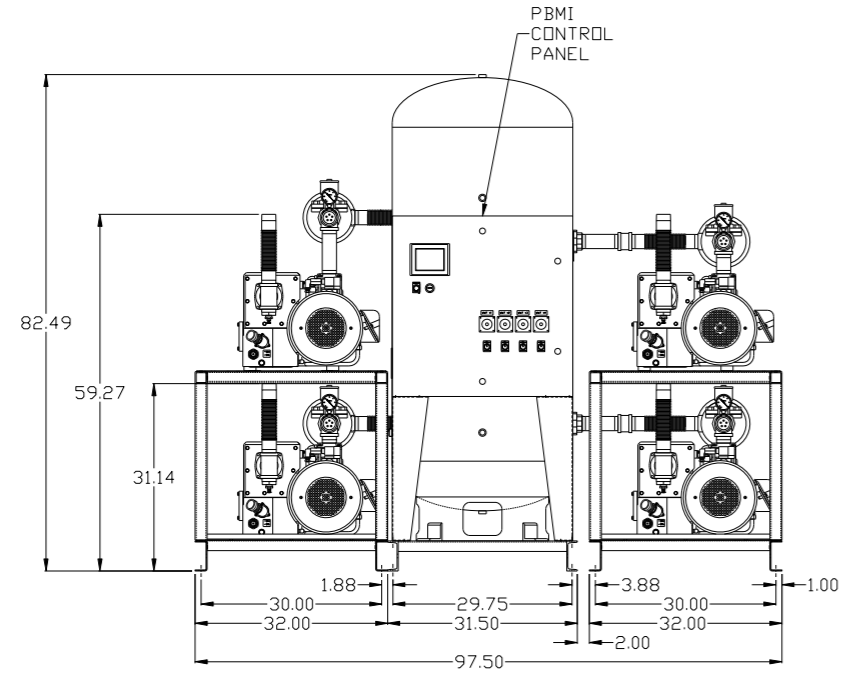
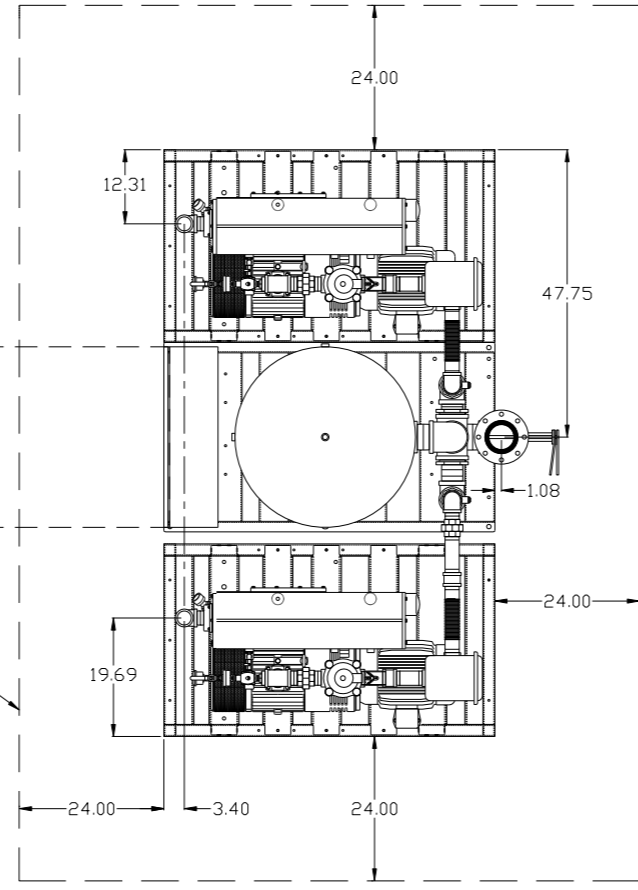


8 7 6 5 4 3 2 1

REV	ZONE	REVISION	DATE	ECN	NAME	CHKD
B-1	ALL	RELEASE TO PRODUCTION		PKEC0003	GES	DMS
C-1	ALL	CORRECTED TO BV/UNION	4/1/16	PKEC0139	AEK	GES

MINIMUM RECOMMENDED ELECTRICAL PANEL CLEARANCE PER OSHA/NEC REQUIREMENTS

MINIMUM RECOMMENDED MAINTENANCE CLEARANCE



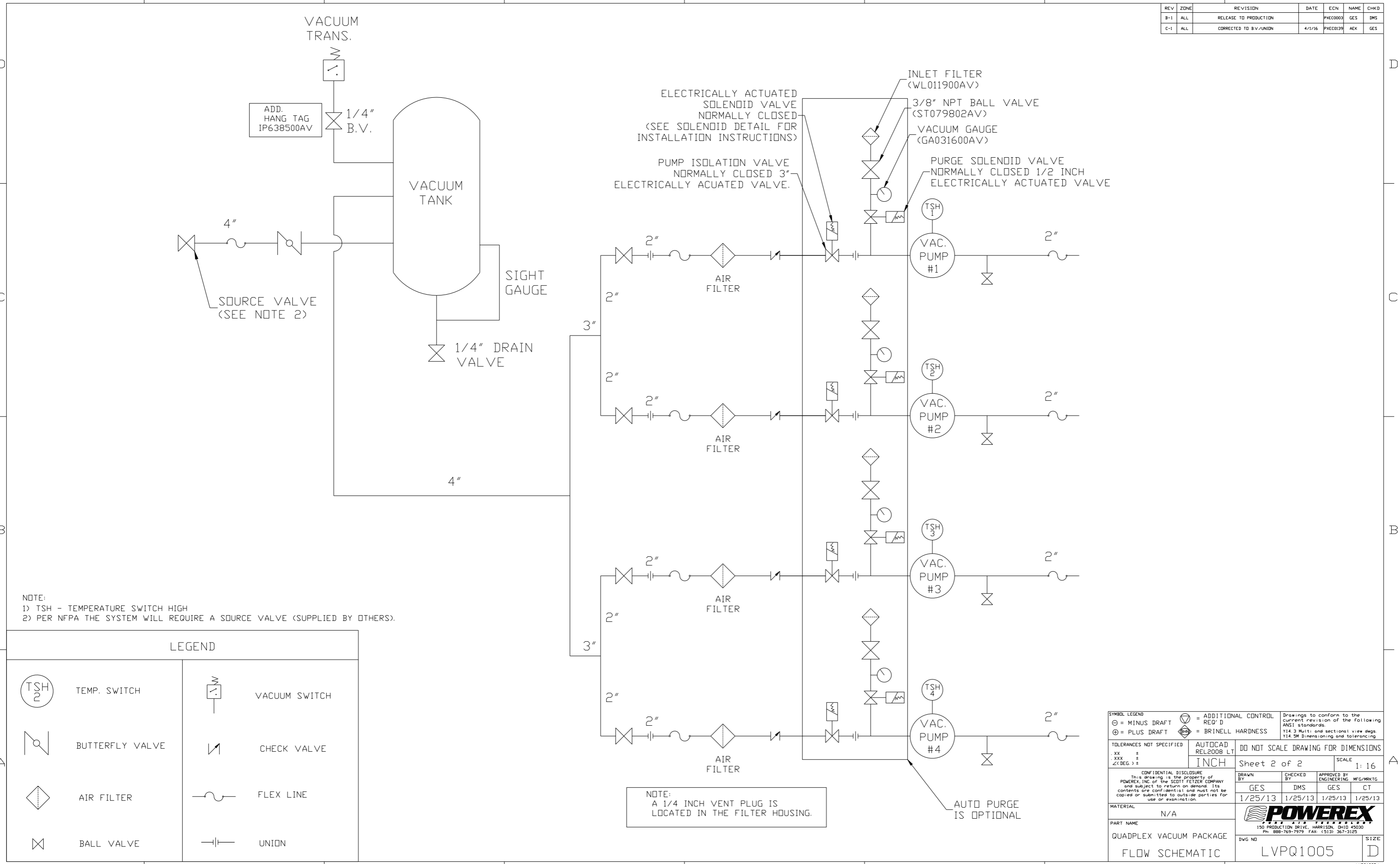
NOTE: AUTO PURGE IS OPTIONAL.

SYMBOL LEGEND		AUTOCAD REL2008 LT		DO NOT SCALE DRAWING FOR DIMENSIONS	
⊖	MINUS DRAFT	⊕	PLUS DRAFT	⊕	ADDITIONAL CONTROL REQ'D
⊕	PLUS DRAFT	⊕	PLUS DRAFT	⊕	BRINELL HARDNESS
TOLERANCES NOT SPECIFIED		INCH		SCALE	
.XX ±		.XXX ±		Sheet 1 of 2	
<ANGLE> ±				1:16	
CONFIDENTIAL DISCLOSURE This drawing is the property of POWEREX, INC. of the SCOTT FELTZER COMPANY and subject to return on demand. Its contents are confidential and must not be copied or submitted to outside parties for use or examination.					
DRAWN BY		CHECKED BY		APPROVED BY	
GES		DMS		GES CT	
1/25/13		1/25/13		1/25/13 1/25/13	
MATERIAL		N/A		POWEREX	
PART NAME		10HP LAB VACUUM		150 PRODUCTION DRIVE, HARRISON, OHIO 45030 Ph: 888-769-7979 FAX: (513) 367-3125	
PACKAGE 200G QUADPLEX		DWG NO		LVPQ1005	
				SIZE D	

8 7 6 5 4 3 2 1

LVPQ1005.dwg

REV	ZONE	REVISION	DATE	ECN	NAME	CHKD
B-1	ALL	RELEASE TO PRODUCTION		PXEC0003	GES	DMS
C-1	ALL	CORRECTED TO B.V./UNION	4/1/16	PXEC0139	AEX	GES



NOTE:  
 1) TSH - TEMPERATURE SWITCH HIGH  
 2) PER NFPA THE SYSTEM WILL REQUIRE A SOURCE VALVE (SUPPLIED BY OTHERS).

LEGEND

	TEMP. SWITCH		VACUUM SWITCH
	BUTTERFLY VALVE		CHECK VALVE
	AIR FILTER		FLEX LINE
	BALL VALVE		UNION

NOTE:  
 A 1/4 INCH VENT PLUG IS LOCATED IN THE FILTER HOUSING.

AUTO PURGE IS OPTIONAL

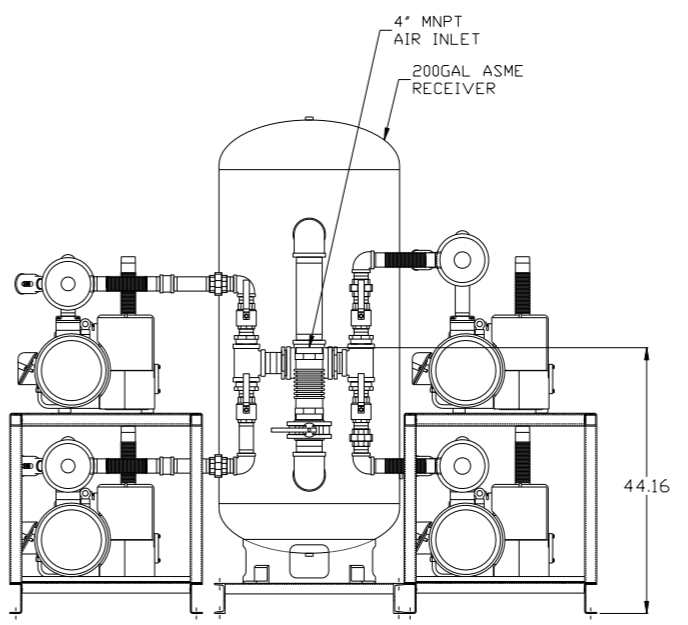
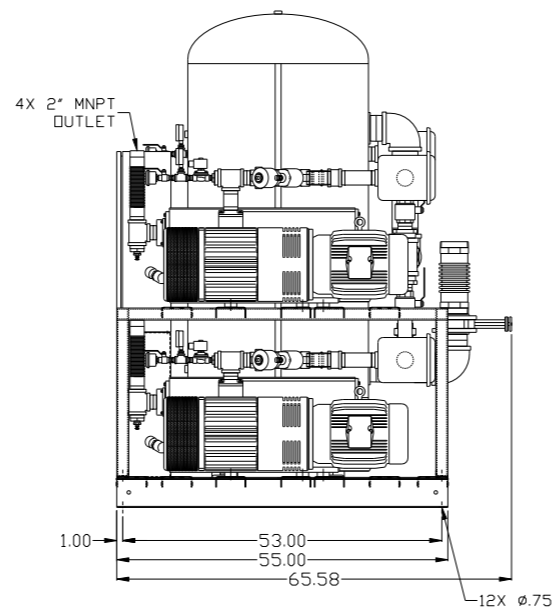
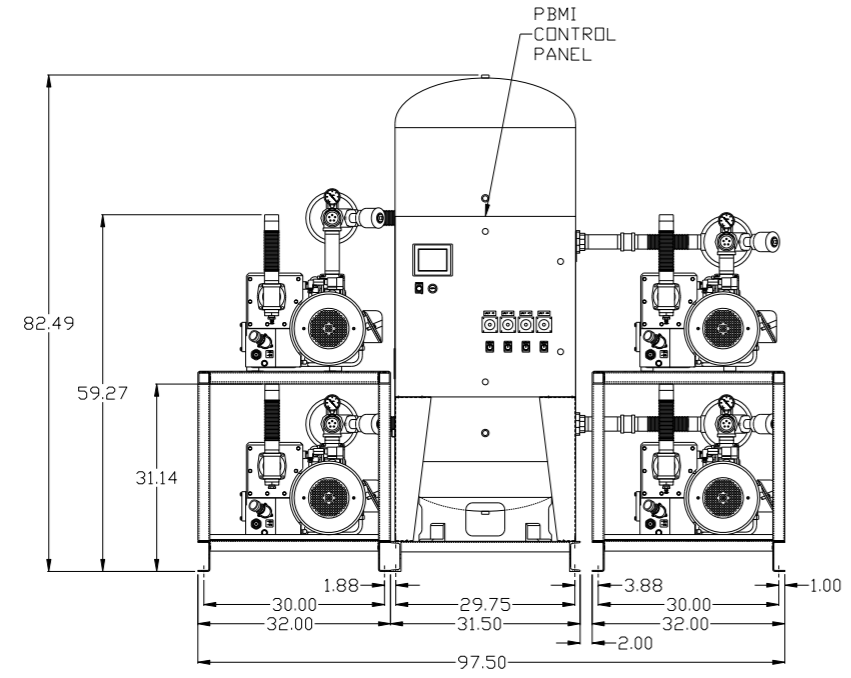
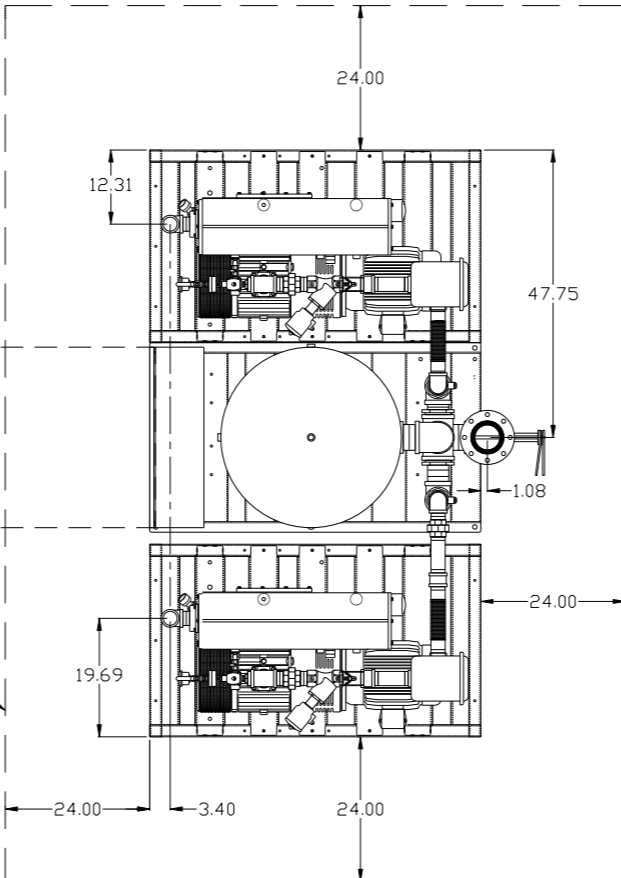
SYMBOL LEGEND = MINUS DRAFT = PLUS DRAFT = ADDITIONAL CONTROL REQ'D = BRINELL HARDNESS		Drawings to conform to the current revision of the following ANSI standards: Y14.3 Multi and sectional view dsgs. Y14.5M Dimensioning and tolerancing	
TOLERANCES NOT SPECIFIED .XX ± .XXX ± <<DEG.> ±		DO NOT SCALE DRAWING FOR DIMENSIONS AUTOCAD REL2008 LT INCH Sheet 2 of 2 SCALE 1:16	
CONFIDENTIAL DISCLOSURE This drawing is the property of POWEREX, INC. of the SCOTT FETZER COMPANY and subject to return on demand. Its contents are confidential and must not be copied or submitted to outside parties for use or examination.		DRAWN BY: GES CHECKED BY: DMS APPROVED BY: GES MFG/MRK'G: CT 1/25/13 1/25/13 1/25/13 1/25/13	
MATERIAL: N/A		 150 PRODUCTION DRIVE, HARRISON, OHIO 45030 Ph: 888-769-7979 FAX: (513) 367-3125	
PART NAME: QUADPLEX VACUUM PACKAGE		SIZE: D	
FLOW SCHEMATIC		LVPQ1005	

8 7 6 5 4 3 2 1

REV	ZONE	REVISION	DATE	ECN	NAME	CHKD
B-1	ALL	RELEASE TO PRODUCTION		PKEC0003	GES	DMS
C-1	ALL	CORRECTED TO B.V./UNION	4/1/16	PKEC0139	AEK	GES

MINIMUM RECOMMENDED ELECTRICAL PANEL CLEARANCE PER OSHA/NEC REQUIREMENTS

MINIMUM RECOMMENDED MAINTENANCE CLEARANCE



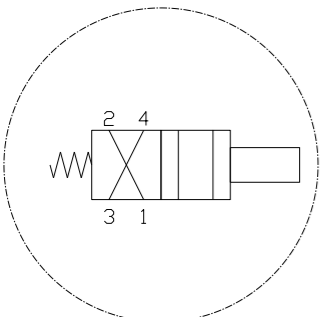
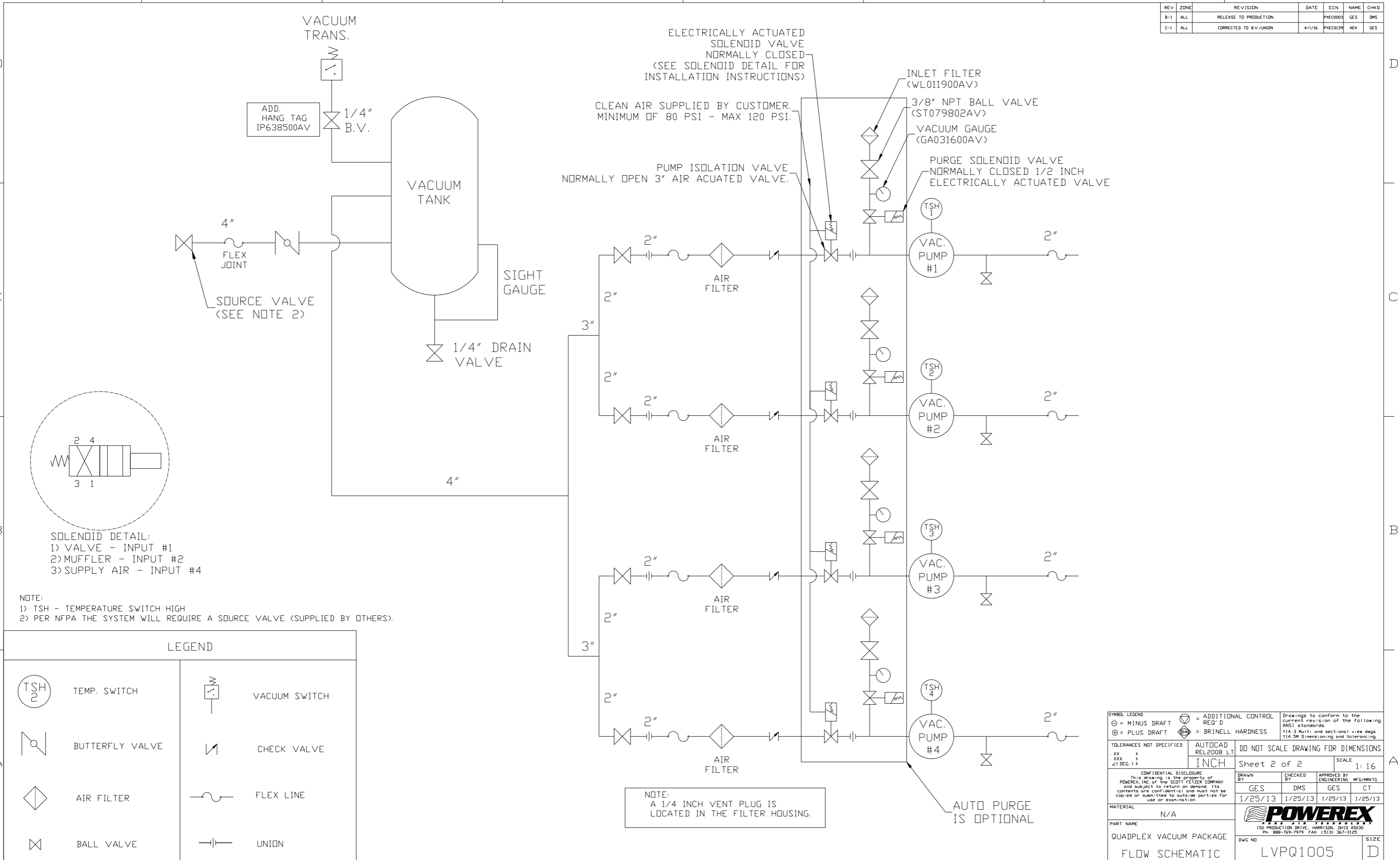
NOTE: AUTO PURGE IS OPTIONAL.

SYMBOL LEGEND		= ADDITIONAL CONTROL REQ'D		Drawings to conform to the current revision of the following ANSI standards:	
⊖	MINUS DRAFT	⊕	PLUS DRAFT	⊖	BRINELL HARDNESS
TOLERANCES NOT SPECIFIED		AUTOCAD REL2008 LT		DO NOT SCALE DRAWING FOR DIMENSIONS	
.XX ±		INCH		Sheet 1 of 2	
.XXX ±				SCALE 1:16	
< < DEG > ±					
CONFIDENTIAL DISCLOSURE					
This drawing is the property of POWEREX, INC. of the SCOTT FELTZER COMPANY and subject to return on demand. Its contents are confidential and must not be copied or submitted to outside parties for use or examination.					
DRAWN BY		CHECKED BY		APPROVED BY	
GES		DMS		GES CT	
1/25/13		1/25/13		1/25/13 1/25/13	
MATERIAL		N/A		 150 PRODUCTION DRIVE, HARRISON, OHIO 45030 Ph: 888-769-7979 FAX: (513) 367-3125	
PART NAME		10HP LAB VACUUM		SIZE	
PACKAGE 200G QUADPLEX		DWG NO		LVPQ1005	

8 7 6 5 4 3 2 1

LVPQ1005.dwg

REV	ZONE	REVISION	DATE	ECN	NAME	CHKD
B-1	ALL	RELEASE TO PRODUCTION		PXEC0003	GES	DMS
C-1	ALL	CORRECTED TO B.V./UNION	4/1/16	PXEC0139	AEX	GES



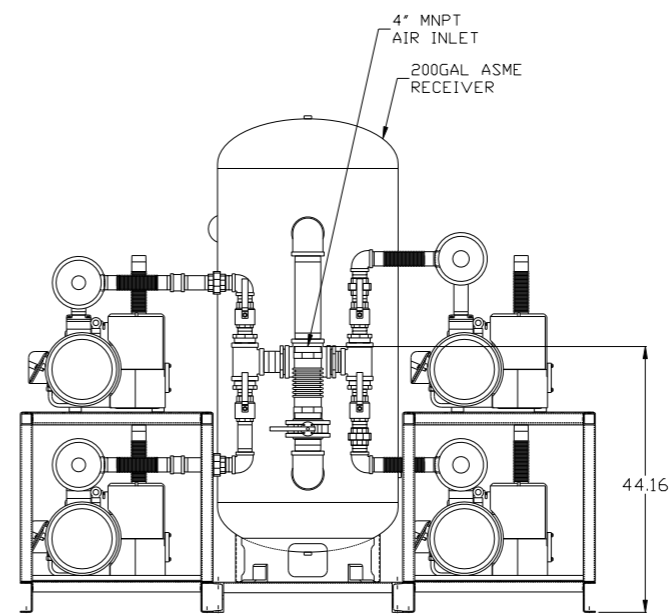
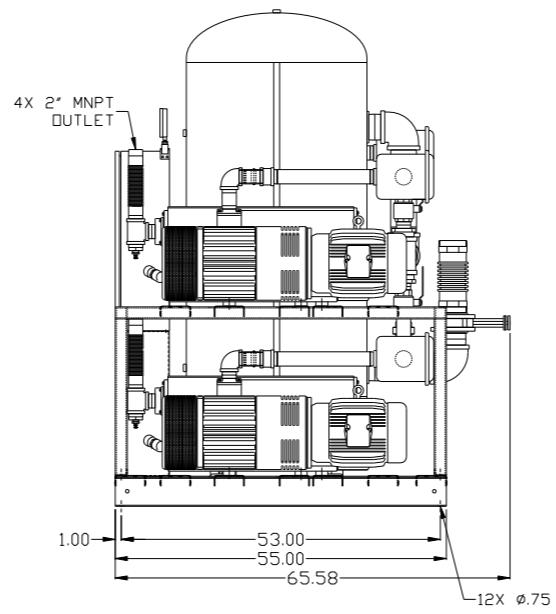
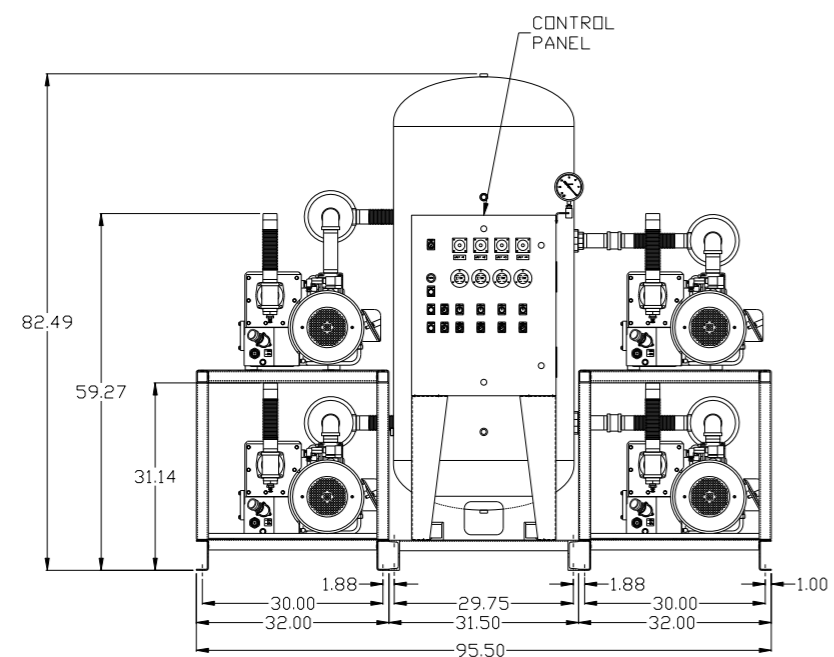
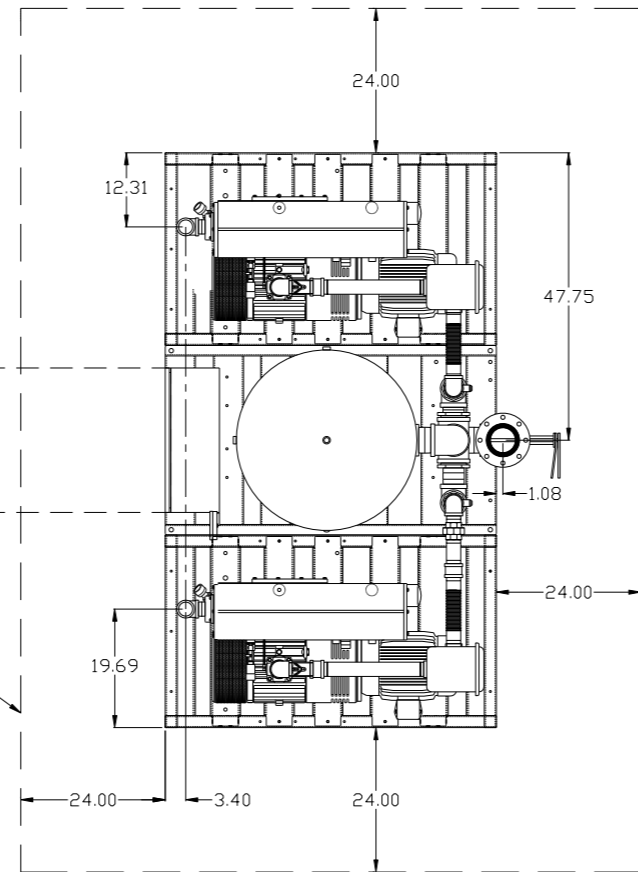
SOLENOID DETAIL:  
 1) VALVE - INPUT #1  
 2) MUFFLER - INPUT #2  
 3) SUPPLY AIR - INPUT #4

NOTE:  
 1) TSH - TEMPERATURE SWITCH HIGH  
 2) PER NFPA THE SYSTEM WILL REQUIRE A SOURCE VALVE (SUPPLIED BY OTHERS).

LEGEND	
	TEMP. SWITCH
	BUTTERFLY VALVE
	AIR FILTER
	BALL VALVE
	VACUUM SWITCH
	CHECK VALVE
	FLEX LINE
	UNION

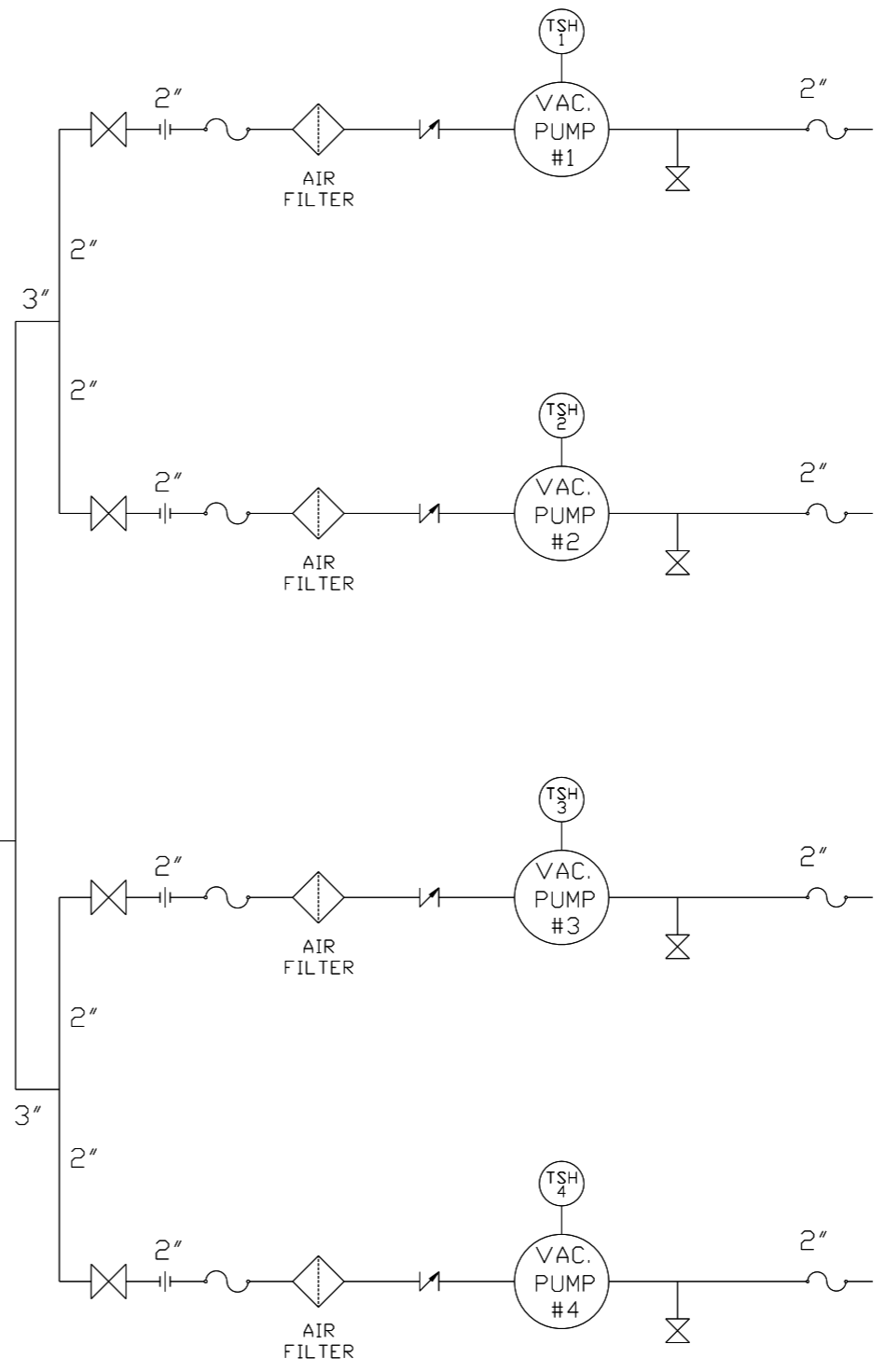
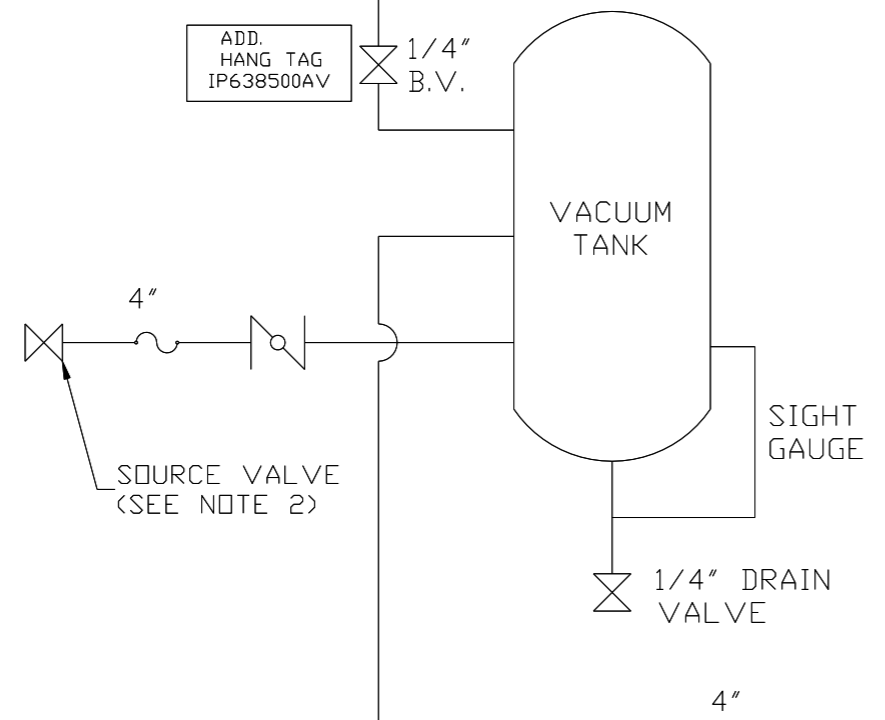
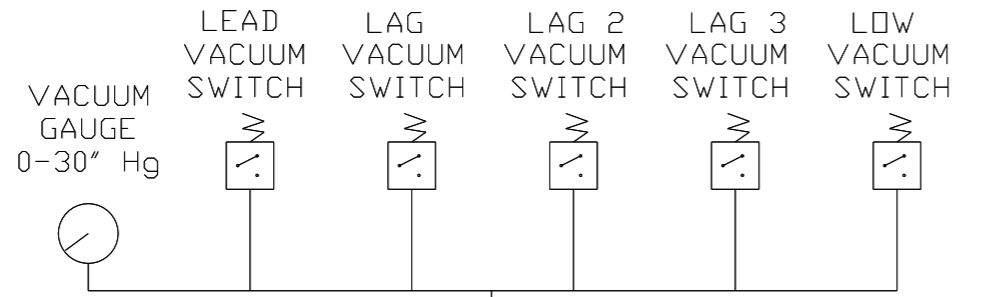
SYMBOL LEGEND		= ADDITIONAL CONTROL REQ'D		Drawings to conform to the current revision of the following ANSI standards:	
⊖	MINUS DRAFT	⊕	PLUS DRAFT	⊖	BRINELL HARDNESS
TOLERANCES NOT SPECIFIED		AUTOCAD REL2008 LT		DO NOT SCALE DRAWING FOR DIMENSIONS	
.XX	±	INCH		Sheet 2 of 2	
.XXX	±			SCALE 1:16	
<4 DEG.	±				
CONFIDENTIAL DISCLOSURE		DRAWN BY		CHECKED BY	
This drawing is the property of POWEREX, INC. of the SCOTT FETZER COMPANY and subject to return on demand. Its contents are confidential and must not be copied or submitted to outside parties for use or examination.		GES		DMS	
MATERIAL		APPROVED BY		ENGINEERING	
N/A		MFG/MRKTG		CT	
PART NAME		1/25/13		1/25/13	
QUADPLEX VACUUM PACKAGE		1/25/13		1/25/13	
FLOW SCHEMATIC		LVPQ1005		SIZE D	
		DWG NO		LVP01005000	

REV	ZONE	REVISION	DATE	ECN	NAME	CHKD
B-1	ALL	RELEASE TO PRODUCTION		PXEC0003	GES	DMS
C-1	ALL	CORRECTED TO B.V./UNION	4/1/16	PXEC0139	AEK	GES



<b>SYMBOL LEGEND</b> ⊖ = MINUS DRAFT ⊕ = PLUS DRAFT HRC = BRINELL HARDNESS		= ADDITIONAL CONTROL REQ'D = BRINELL HARDNESS		Drawings to conform to the current revision of the following ANSI standards: Y14.3 Multi and sectional view dgs. Y14.5M Dimensioning and tolerancing
TOLERANCES NOT SPECIFIED .XX ± .XXX ± <math>\angle</math> (DEG) ±		AUTOCAD REL2008 LT INCH		DO NOT SCALE DRAWING FOR DIMENSIONS Sheet 1 of 2 SCALE 1:16
<b>CONFIDENTIAL DISCLOSURE</b> This drawing is the property of POWEREX, INC. of the SCOTT FETZER COMPANY and subject to return on demand. Its contents are confidential and must not be copied or submitted to outside parties for use or examination.		DRAWN BY GES	CHECKED BY DMS	APPROVED BY ENGINEERING MFG/MKTG GES CT
MATERIAL N/A		1/25/13	1/25/13	1/25/13 1/25/13
PART NAME 10HP LAB VACUUM PACKAGE 200G QUADPLEX		 150 PRODUCTION DRIVE, HARRISON, OHIO 45030 Ph: 888-769-7979 FAX: (513) 367-3125		DWG NO LVPQ1005 SIZE D

REV	ZONE	REVISION	DATE	ECN	NAME	CHKD
B-1	ALL	RELEASE TO PRODUCTION		PXEC0003	GES	DMS
C-1	ALL	CORRECTED TO B.V./UNION	4/1/16	PXEC0139	AEX	GES



NOTE:  
A 1/4 INCH VENT PLUG IS LOCATED IN THE FILTER HOUSING.

LEGEND

	TEMP. SWITCH		VACUUM SWITCH
	BUTTERFLY VALVE		CHECK VALVE
	AIR FILTER		FLEX LINE
	BALL VALVE		UNION

NOTE:  
1) TSH - TEMPERATURE SWITCH HIGH  
2) PER NFPA THE SYSTEM WILL REQUIRE A SOURCE VALVE (SUPPLIED BY OTHERS).

<p>SYMBOL LEGEND</p> <p>⊖ = MINUS DRAFT</p> <p>⊕ = PLUS DRAFT</p>		<p>⊖ = ADDITIONAL CONTROL REQ'D</p> <p>⊕ = BRINELL HARDNESS</p>		<p>Drawings to conform to the current revision of the following ANSI standards:</p> <p>Y14.3 Multi and sectional view dings</p> <p>Y14.5M Dimensioning and Tolerancing</p>	
<p>TOLERANCES NOT SPECIFIED</p> <p>.XX ±</p> <p>.XXX ±</p> <p>&lt;4 DEG. &gt; ±</p>		<p>AUTOCAD REL2008 LT</p> <p>INCH</p>		<p>DO NOT SCALE DRAWING FOR DIMENSIONS</p> <p>Sheet 2 of 2</p> <p>SCALE 1:16</p>	
<p>CONFIDENTIAL DISCLOSURE</p> <p>This drawing is the property of POWEREX, INC. of the SCOTT FETZER COMPANY and subject to return on demand. Its contents are confidential and must not be copied or submitted to outside parties for use or examination.</p>		<p>DRAWN BY</p> <p>GES</p> <p>1/25/13</p>		<p>CHECKED BY</p> <p>DMS</p> <p>1/25/13</p>	
<p>MATERIAL</p> <p>N/A</p>		<p>APPROVED BY</p> <p>GES</p> <p>1/25/13</p>		<p>MFG/MRKTG</p> <p>CT</p> <p>1/25/13</p>	
<p>PART NAME</p> <p>QUADPLEX VACUUM PACKAGE</p>		<p>POWEREX</p> <p>150 PRODUCTION DRIVE, HARRISON, OHIO 45030</p> <p>Ph: 888-769-7979 FAX: (513) 367-3125</p>		<p>SIZE</p> <p>D</p>	
<p>FLOW SCHEMATIC</p>		<p>DWG NO</p> <p>LVPQ1005</p>		<p>9500</p>	