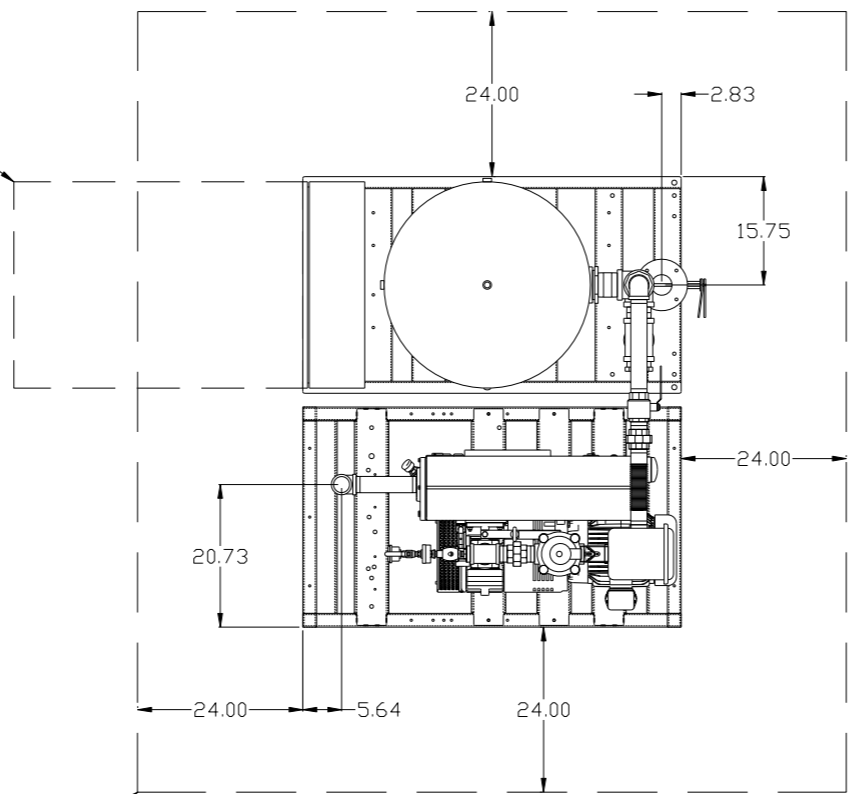


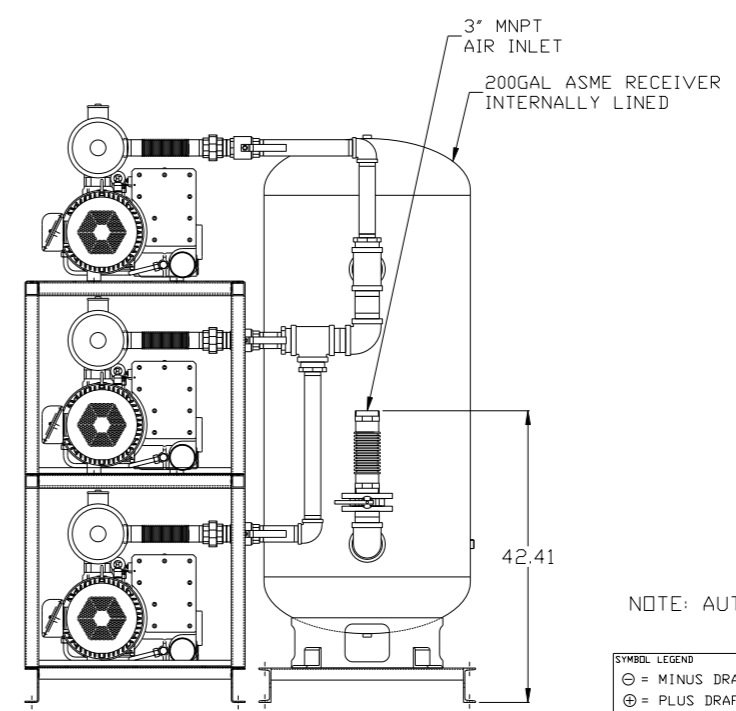
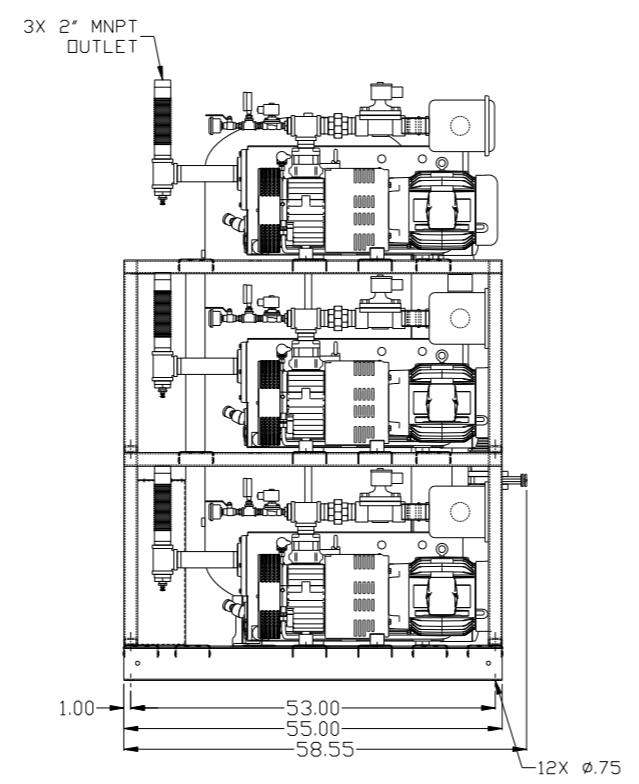
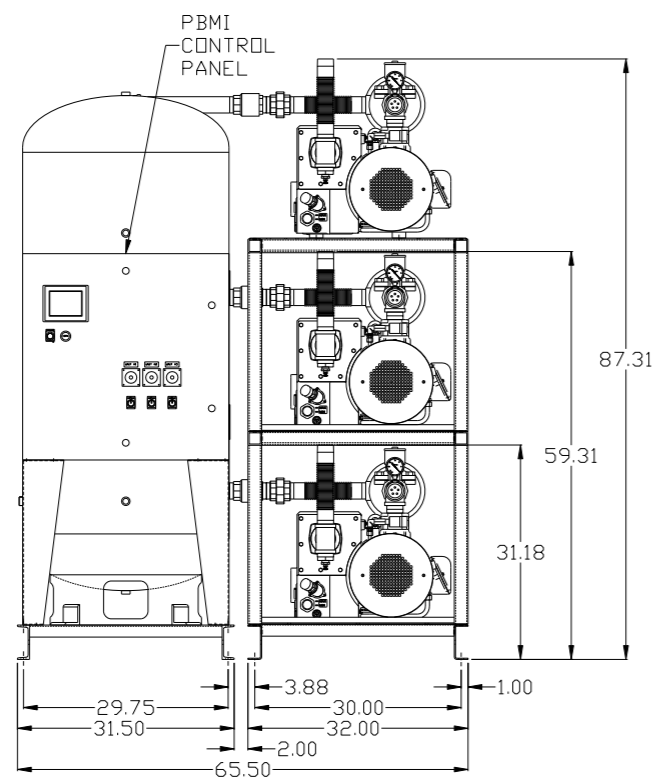
8 7 6 5 4 3 2 1

REV	ZONE	REVISION	DATE	ECN	NAME	CHKD
B-1	ALL	RELEASE TO PRODUCTION	1/2/13	PXEC003	AEK	DMS
C-1	I ALL	ADDED 2" CLEARANCE BETWEEN SKID FRAMES ON PUMP LAYOUTS	9/18/13	PXEC004	AEK	GES
D-1	ALL	ADDED CENTER OF GRAVITY SHEETS	8/16/16	PXEC019	AEK	GES

MINIMUM RECOMMENDED ELECTRICAL PANEL CLEARANCE PER OSHA/NEC REQUIREMENTS



MINIMUM RECOMMENDED MAINTENANCE CLEARANCE



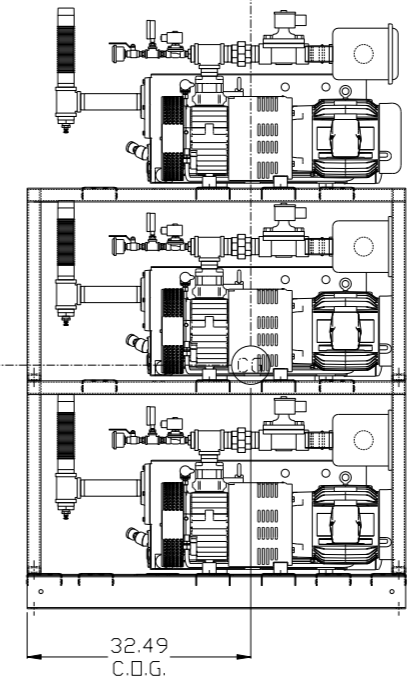
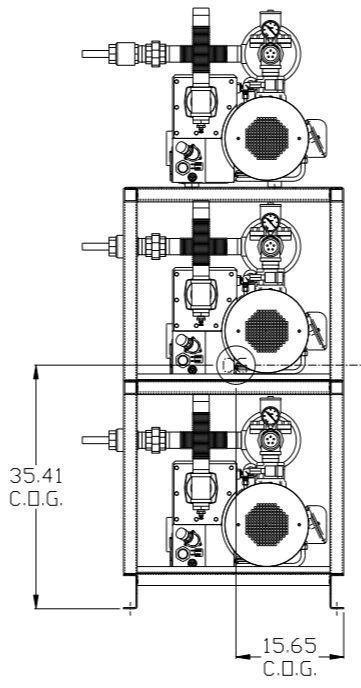
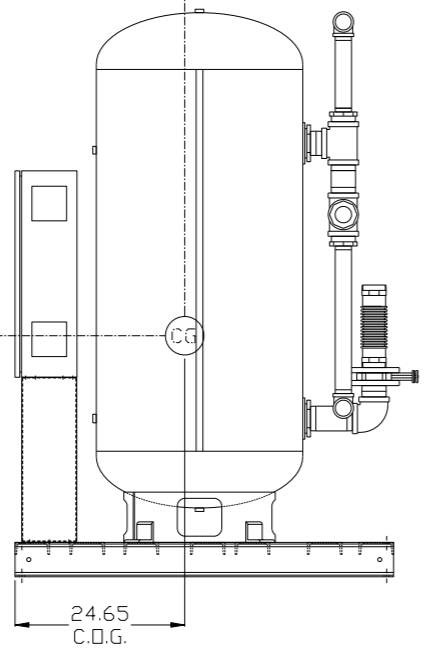
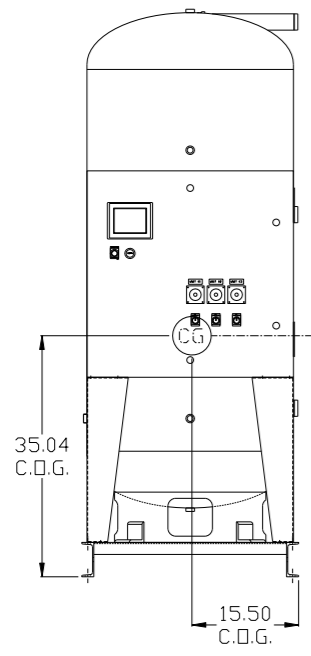
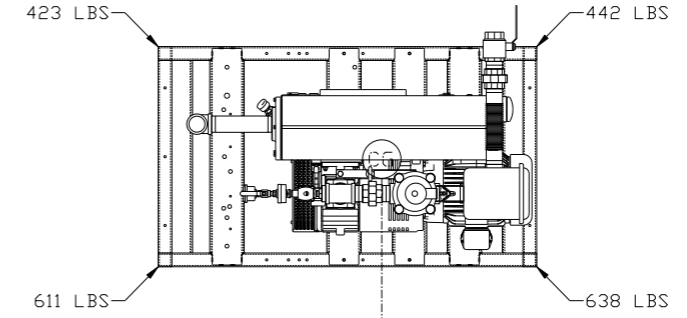
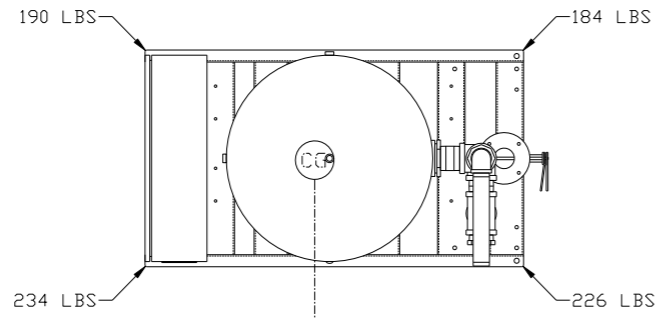
NOTE: AUTO PURGE IS OPTIONAL.

<b>SYMBOL LEGEND</b> ⊖ = MINUS DRAFT ⊕ = PLUS DRAFT ∅ = ADDITIONAL CONTROL REQ'D HRC = BRINELL HARDNESS		Drawings to conform to the current revision of the following ANSI standards: Y14.3 Multi and sectional view dsgs. Y14.5M Dimensioning and tolerancing	
TOLERANCES NOT SPECIFIED .XX ± .XXX ± <math>\angle</math> DEG ±		DO NOT SCALE DRAWING FOR DIMENSIONS AUTOCAD REL2008 LT INCH Sheet 1 of 3 SCALE 1:14	
<b>CONFIDENTIAL DISCLOSURE</b> This drawing is the property of POWEREX, INC. of the SCOTT FEITZER COMPANY and subject to return on demand. Its contents are confidential and must not be copied or submitted to outside parties for use or examination.		DRAWN BY: AEK CHECKED BY: DMS APPROVED BY: JBC, CT 1/2/13, 1/2/13, 1/2/13, 1/2/13	
MATERIAL: N/A		<b>POWEREX</b> 150 PRODUCTION DRIVE, HARRISON, OHIO 45030 Ph: 888-769-7979 FAX: (513) 367-3125	
PART NAME: 7.5HP LAB VACUUM 200G TRIPLEX		DWG NO: LVPT0755 SIZE: D	

8 7 6 5 4 3 2 1

LVPT0755B.dwg

REV	ZONE	REVISION	DATE	ECN	NAME	CHKD
D-1	ALL	ADDED CENTER OF GRAVITY SHEETS	8/16/16	PKEC0139	AEK	GES



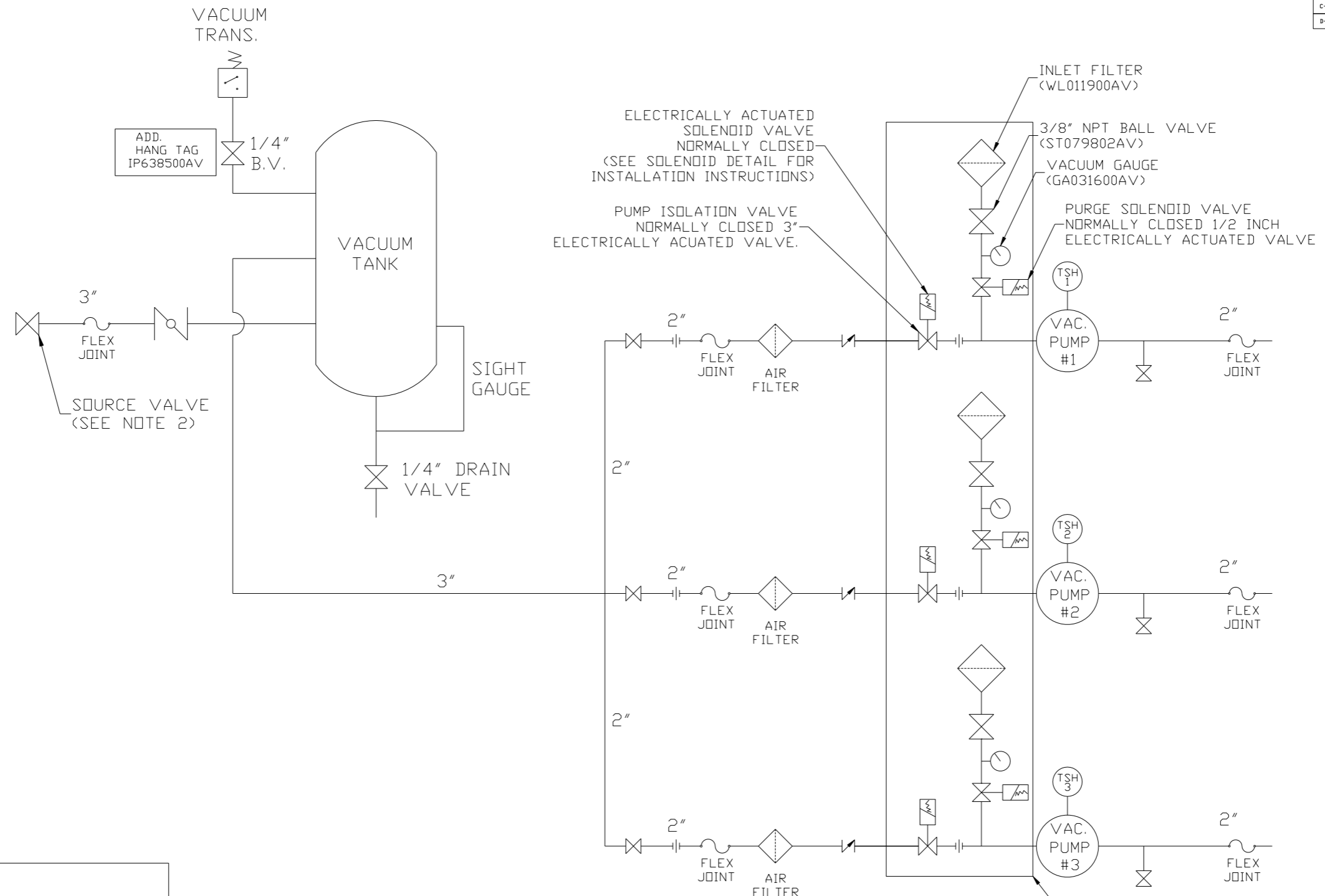
CONTROLS/TANK SKID:  
 TOTAL WEIGHT: 834 LBS  
 C.O.G. DIMENSIONS  
 X (FRONT): -15.50"  
 Y (RIGHT): 24.65"  
 Z (HEIGHT): 35.04"

PUMP SKID:  
 TOTAL WEIGHT: 2114 LBS  
 C.O.G. DIMENSIONS  
 X (FRONT): -15.65"  
 Y (RIGHT): 32.49"  
 Z (HEIGHT): 35.41"

denotes center of gravity (CG)

<b>SYMBOL LEGEND</b> ⊖ = MINUS DRAFT ⊕ = PLUS DRAFT TOLERANCES NOT SPECIFIED .XX ± .XXX ± <math>\angle</math> (DEG) ±		⊕ = ADDITIONAL CONTROL REQ'D HRC = BRINELL HARDNESS		Drawings to conform to the current revision of the following ANSI standards: Y14.3 Multi- and sectional view dgs. Y14.5M Dimensioning and tolerancing	
AUTOCAD REL2008 LT INCH		DO NOT SCALE DRAWING FOR DIMENSIONS Sheet 2 of 3 SCALE 1: 14		<b>CONFIDENTIAL DISCLOSURE</b> This drawing is the property of POWEREX, INC. of the SCOTT FEITZER COMPANY and subject to return on demand. Its contents are confidential and must not be copied or submitted to outside parties for use or examination.	
DRAWN BY: AEK CHECKED BY: GES 8/16/16		APPROVED BY: KMD ENGINEERING: JJ 8/16/16		APPROVED BY: MFG/MRKTG JJ 8/16/16	
MATERIAL: N/A PART NAME: 7. 5HP LAB VACUUM 200G TRIPLEX		 150 PRODUCTION DRIVE, HARRISON, OHIO 45030 Ph: 888-769-7979 FAX: (513) 367-3125		DWG NO: LVPT0755 SIZE: D	

REV	ZONE	REVISION	DATE	ECN	NAME	CHKD
B-1	ALL	RELEASE TO PRODUCTION	1/2/13	PXEC003	AEK	DMS
C-1	1 ALL	ADDED 2" CLEARANCE BETWEEN SKID FRAMES ON PUMP LAYOUTS	9/18/13	PXEC004	AEK	GES
D-1	ALL	ADDED CENTER OF GRAVITY SHEETS	8/16/16	PXEC019	AEK	GES



LEGEND	
	TEMP. SWITCH
	VACUUM SWITCH
	BUTTERFLY VALVE
	CHECK VALVE
	AIR FILTER
	FLEX LINE
	BALL VALVE
	UNION

NOTE:  
 1) TSH - TEMPERATURE SWITCH HIGH  
 2) PER NFPA THE SYSTEM WILL REQUIRE A SOURCE VALVE (SUPPLIED BY OTHERS).

NOTE:  
 A 1/4 INCH VENT PLUG IS LOCATED IN THE FILTER HOUSING.

AUTO PURGE IS OPTIONAL

SYMBOL LEGEND ⊖ = MINUS DRAFT ⊕ = PLUS DRAFT TOLERANCES NOT SPECIFIED .XX ± .XXX ± <math>\angle</math> (DEG.) ±		⊕ = ADDITIONAL CONTROL REQ'D HRC = BRINELL HARDNESS	Drawings to conform to the current revision of the following ANSI standards: Y14.3 Multi and sectional view dgs. Y14.5M Dimensioning and tolerancing
AUTOCAD REL2008 LT INCH		DO NOT SCALE DRAWING FOR DIMENSIONS Sheet 3 of 3 SCALE 1:14	
CONFIDENTIAL DISCLOSURE This drawing is the property of POWEREX, INC. of the SCOTT FETZER COMPANY and subject to return on demand. Its contents are confidential and must not be copied or submitted to outside parties for use or examination.		DRAWN BY AEK	CHECKED BY DMS
MATERIAL N/A		APPROVED BY JBC	MFG/MKTG CT
PART NAME TRIPLEX LAB VAC FLOW SCHEMATIC		1/2/13	1/2/13 1/2/13 1/2/13
DWG NO LVPT0755		SIZE D	

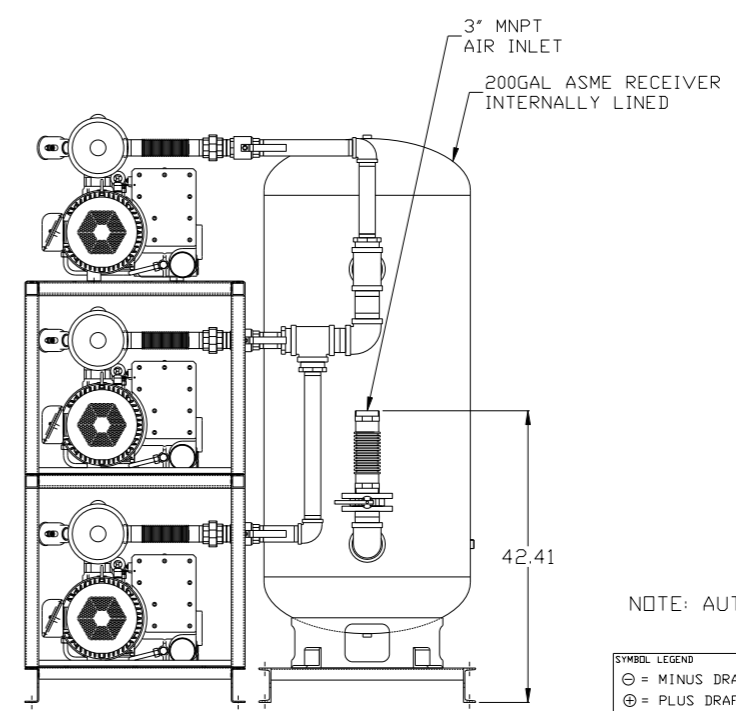
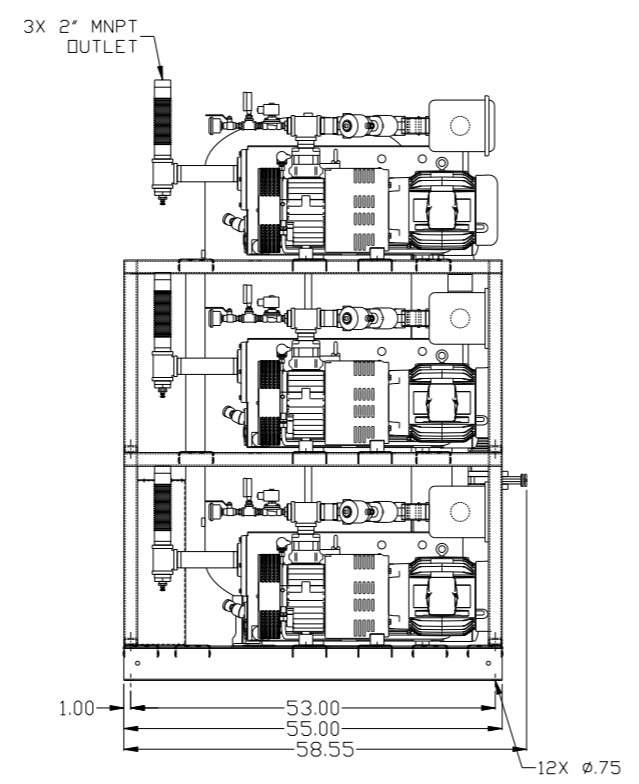
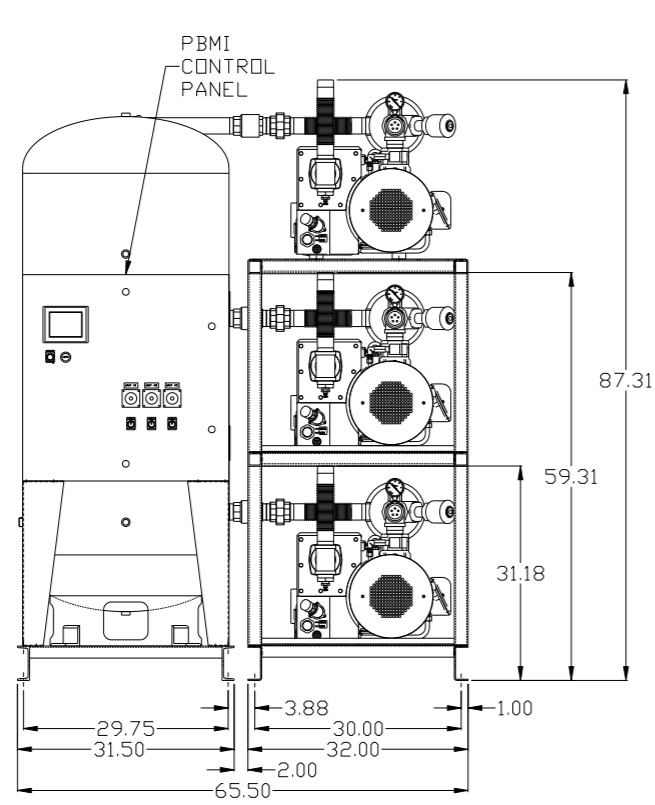
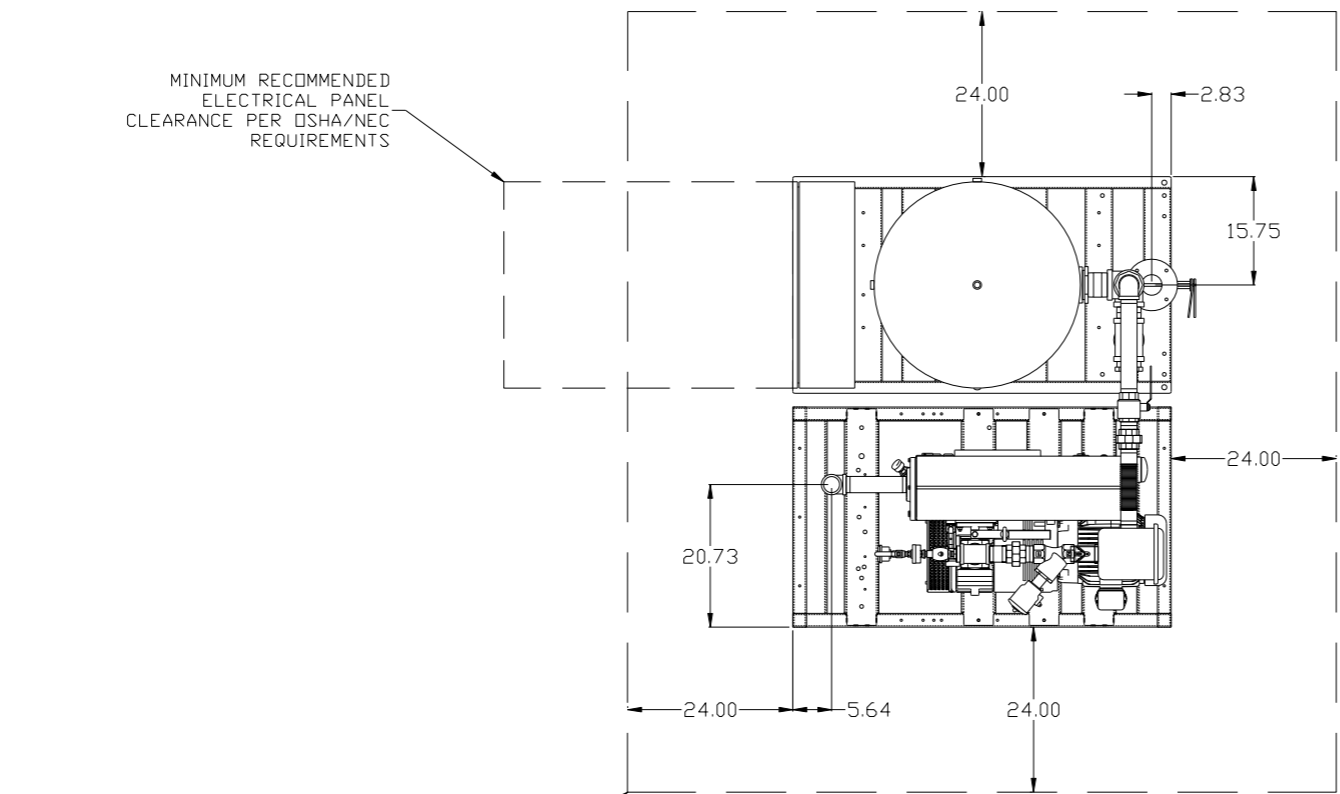


8 7 6 5 4 3 2 1

REV	ZONE	REVISION	DATE	ECN	NAME	CHKD
B-1	ALL	RELEASE TO PRODUCTION	1/2/13	PXEC003	AEK	DMS
C-1	I ALL	ADDED 2" CLEARANCE BETWEEN SKID FRAMES ON PUMP LAYOUTS	9/18/13	PXEC004	AEK	GES
D-1	ALL	ADDED CENTER OF GRAVITY SHEETS	8/16/16	PXEC019	AEK	GES

MINIMUM RECOMMENDED ELECTRICAL PANEL CLEARANCE PER OSHA/NEC REQUIREMENTS

MINIMUM RECOMMENDED MAINTENANCE CLEARANCE

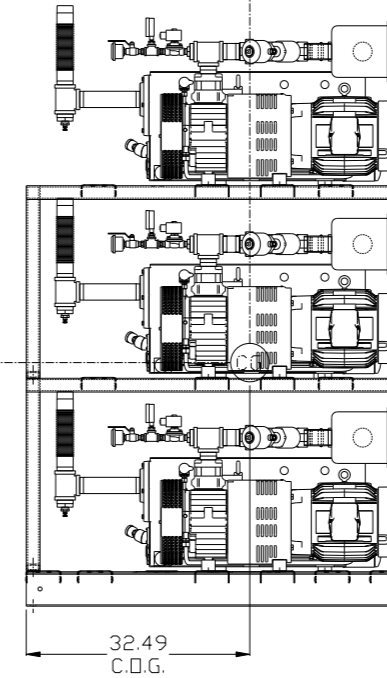
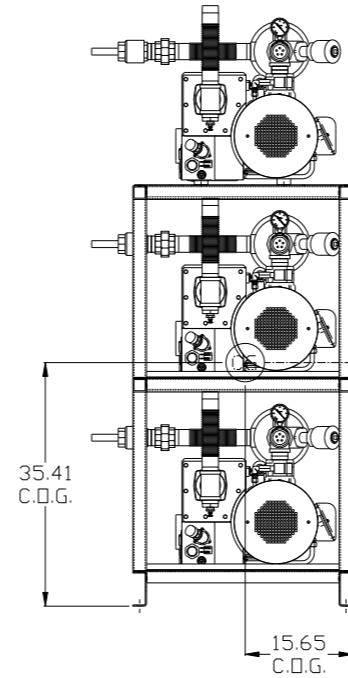
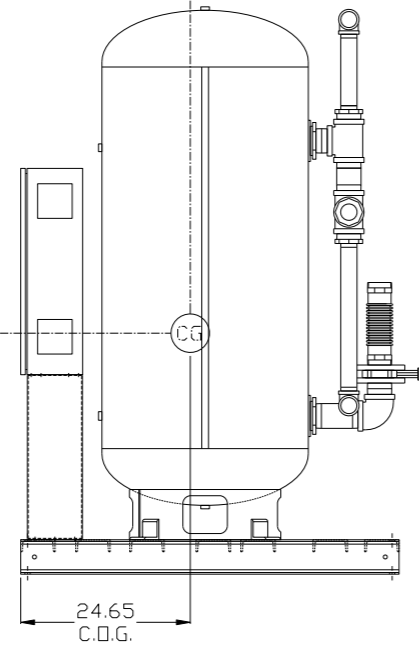
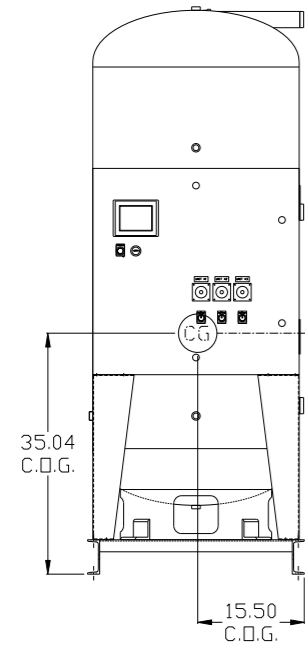
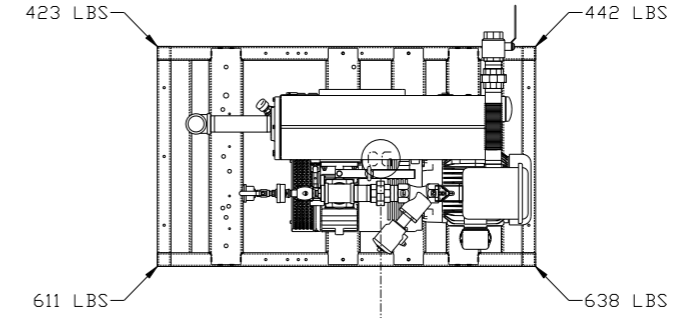
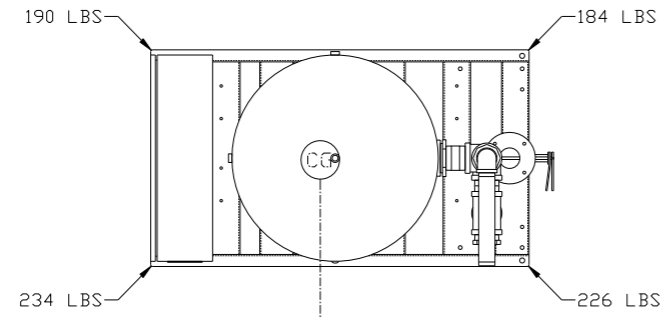


NOTE: AUTO PURGE IS OPTIONAL.

<b>SYMBOL LEGEND</b> ⊖ = MINUS DRAFT ⊕ = PLUS DRAFT ∅ = ADDITIONAL CONTROL REQ'D Ⓢ = BRINELL HARDNESS		Drawings to conform to the current revision of the following ANSI standards: Y14.3 Multi and sectional view dsgs. Y14.5M Dimensioning and tolerancing	
TOLERANCES NOT SPECIFIED .XX ± .XXX ± <math>\angle</math> DEG ±		DO NOT SCALE DRAWING FOR DIMENSIONS AUTOCAD REL2008 LT INCH Sheet 1 of 3 SCALE 1:14	
<b>CONFIDENTIAL DISCLOSURE</b> This drawing is the property of POWEREX, INC. of the SCOTT FEITZER COMPANY and subject to return on demand. Its contents are confidential and must not be copied or submitted to outside parties for use or examination.			
DRAWN BY AEK		CHECKED BY DMS	
1/2/13		APPROVED BY JBC CT 1/2/13 1/2/13 1/2/13	
MATERIAL N/A		 150 PRODUCTION DRIVE, HARRISON, OHIO 45030 Ph 888-769-7979 FAX (513) 367-3125	
PART NAME 7. 5HP LAB VACUUM 200G TRIPLEX		DWG NO LVPT0755 SIZE D	

8 7 6 5 4 3 2 1

REV	ZONE	REVISION	DATE	ECN	NAME	CHKD
D-1	ALL	ADDED CENTER OF GRAVITY SHEETS	8/16/16	PXEC0139	AEK	GES



CONTROLS/TANK SKID:

TOTAL WEIGHT: 834 LBS  
 C.O.G. DIMENSIONS  
 X (FRONT): -15.50"  
 Y (RIGHT): 24.65"  
 Z (HEIGHT): 35.04"

PUMP SKID:

TOTAL WEIGHT: 2114 LBS  
 C.O.G. DIMENSIONS  
 X (FRONT): -15.65"  
 Y (RIGHT): 32.49"  
 Z (HEIGHT): 35.41"

denotes center of gravity (CG)

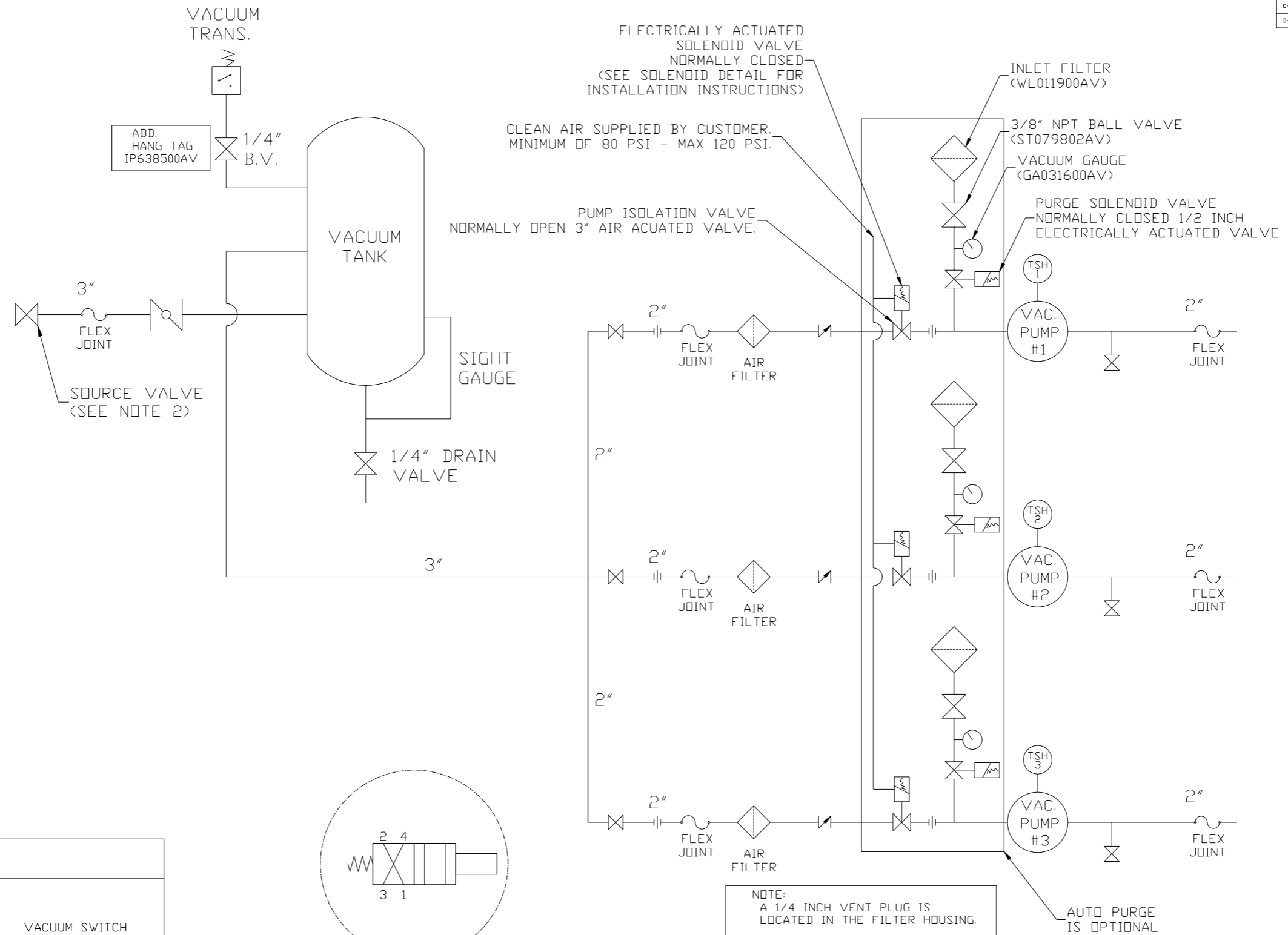
SYMBOL LEGEND ⊖ = MINUS DRAFT ⊕ = PLUS DRAFT	⊕ = ADDITIONAL CONTROL REQ'D HRC = BRINELL HARDNESS	Drawings to conform to the current revision of the following ANSI standards: Y14.3 Multi and sectional view dgs. Y14.5M Dimensioning and tolerancing
--	--	--

TOLERANCES NOT SPECIFIED	AUTOCAD REL2008 LT	DO NOT SCALE DRAWING FOR DIMENSIONS
.XX ±	INCH	Sheet 2 of 3
.XXX ±		SCALE 1: 14
<DEG> ±		

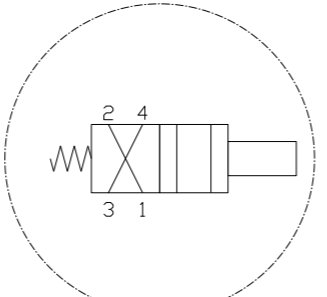
CONFIDENTIAL DISCLOSURE This drawing is the property of POWEREX, INC. of the SCOTT FEITZER COMPANY and subject to return on demand. Its contents are confidential and must not be copied or submitted to outside parties for use or examination.			
DRAWN BY	CHECKED BY	APPROVED BY	DATE
AEK	GES	KMD	JJ
8/16/16	8/16/16	8/16/16	8/16/16

MATERIAL	N/A	 150 PRODUCTION DRIVE, HARRISON, OHIO 45030 Ph: 888-769-7979 FAX: (513) 367-3125
PART NAME	7. 5HP LAB VACUUM 200G TRIPLEX	
DWG NO	LVPT0755	SIZE D

REV	ZONE	REVISION	DATE	ECN	NAME	CHKD
B-1	ALL	RELEASE TO PRODUCTION	1/2/13	PXEC003	AEK	DMS
C-1	1	ADDED 2" CLEARANCE BETWEEN SKID FRAMES ON PUMP LAYOUTS	9/18/13	PXEC004	AEK	GES
D-1	ALL	ADDED CENTER OF GRAVITY SHEETS	8/16/16	PXEC019	AEK	GES



LEGEND	
	TEMP. SWITCH
	BUTTERFLY VALVE
	AIR FILTER
	BALL VALVE
	VACUUM SWITCH
	CHECK VALVE
	FLEX LINE
	UNION



SOLENOID DETAIL:  
 1) VALVE - INPUT #1  
 2) MUFFLER - INPUT #2  
 3) SUPPLY AIR - INPUT #4

NOTE:  
 1) TSH - TEMPERATURE SWITCH HIGH  
 2) PER NFPA THE SYSTEM WILL REQUIRE A SOURCE VALVE (SUPPLIED BY OTHERS).

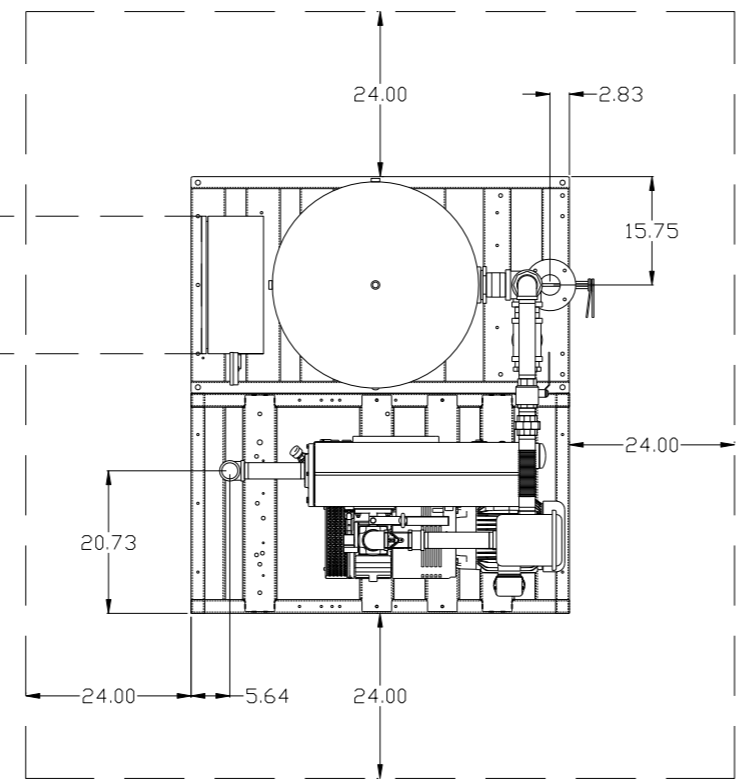
SYMBOL LEGEND		TOLERANCES NOT SPECIFIED		AUTOCAD REL2008 LT		DO NOT SCALE DRAWING FOR DIMENSIONS	
	MINUS DRAFT	.XX ±	.XXX ±	INCH	Sheet 3 of 3	SCALE	1:14
	PLUS DRAFT	CONFIDENTIAL DISCLOSURE This drawing is the property of POWEREX, INC. of the SCOTT FETZER COMPANY and subject to return on demand. Its contents are confidential and must not be copied or submitted to outside parties for use or examination.					
	ADDITIONAL CONTROL REQ'D	DRAWN BY: AEK CHECKED BY: DMS ENGINEERING: JBC MFG/MKTG: CT 1/2/13 1/2/13 1/2/13 1/2/13					
	BRINELL HARDNESS	MATERIAL: N/A PART NAME: TRIPLEX LAB VAC FLOW SCHEMATIC DWG NO: LVPT0755 SIZE: D					



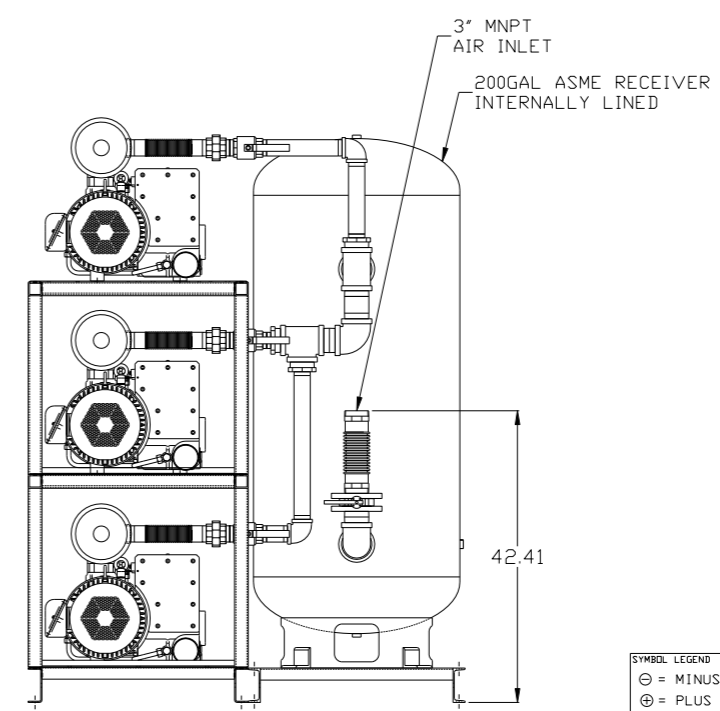
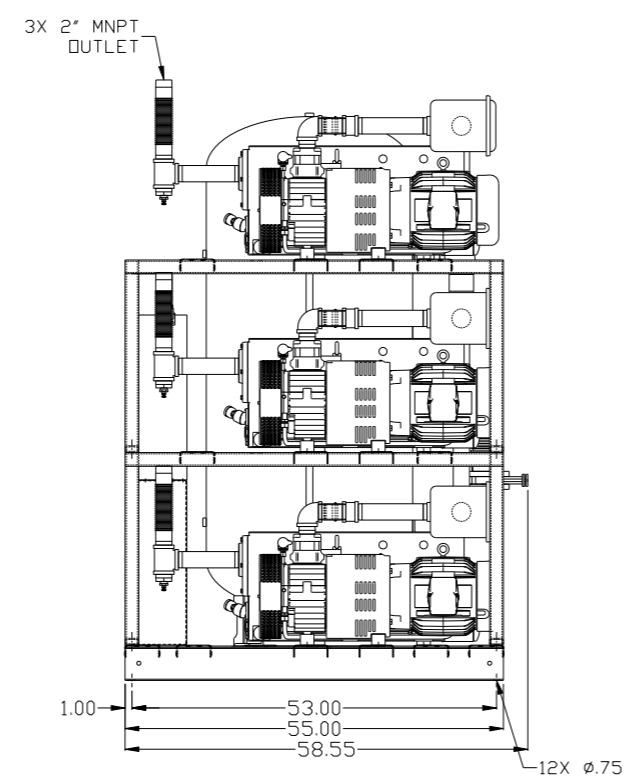
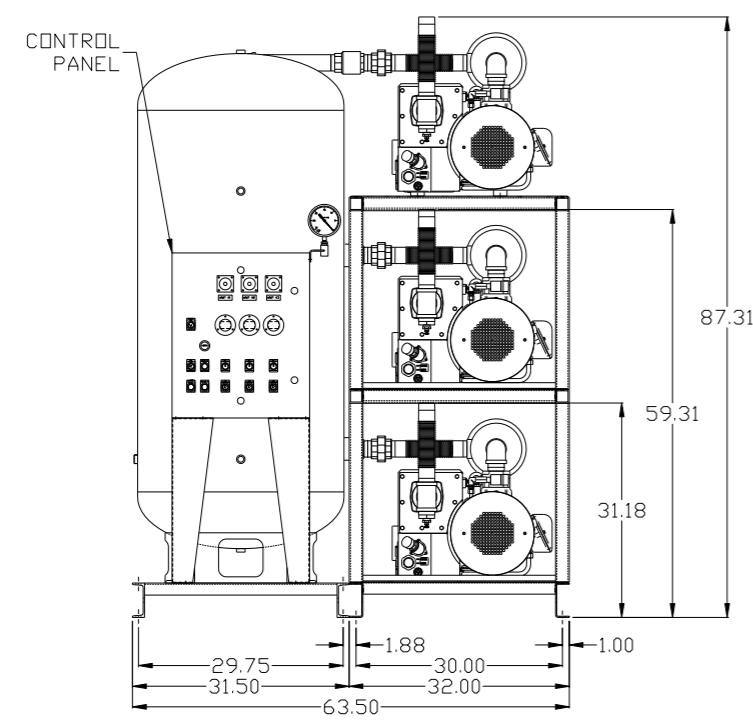
8 7 6 5 4 3 2 1

REV	ZONE	REVISION	DATE	ECN	NAME	CHKD
B-1	ALL	RELEASE TO PRODUCTION	1/2/13	PXEC003	AEK	DMS
C-1	I ALL	ADDED 2" CLEARANCE BETWEEN SKID FRAMES ON P&ID LAYOUTS	9/18/13	PXEC040	AEK	GES
D-1	ALL	ADDED CENTER OF GRAVITY SHEETS	8/16/16	PXEC039	AEK	GES

MINIMUM RECOMMENDED ELECTRICAL PANEL CLEARANCE PER OSHA/NEC REQUIREMENTS



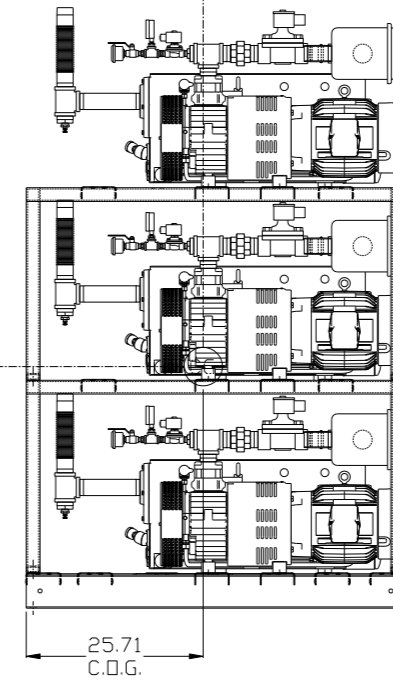
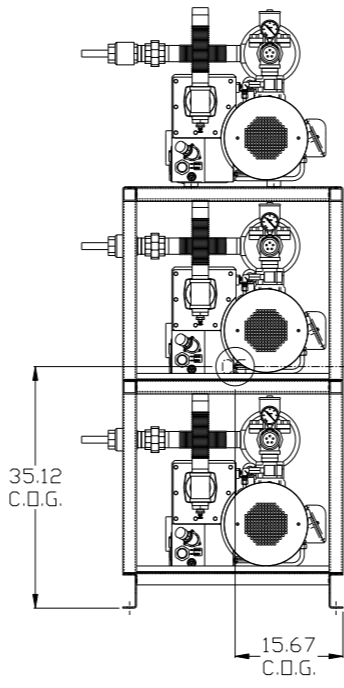
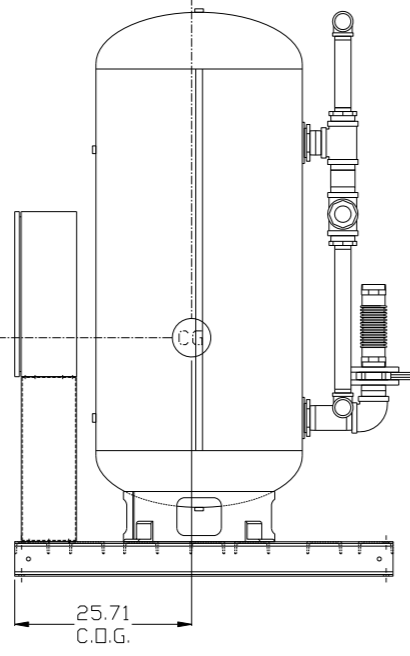
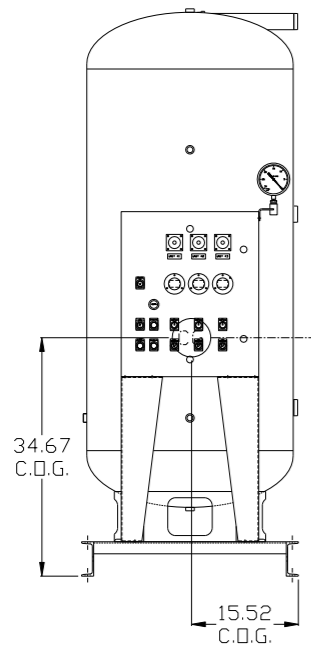
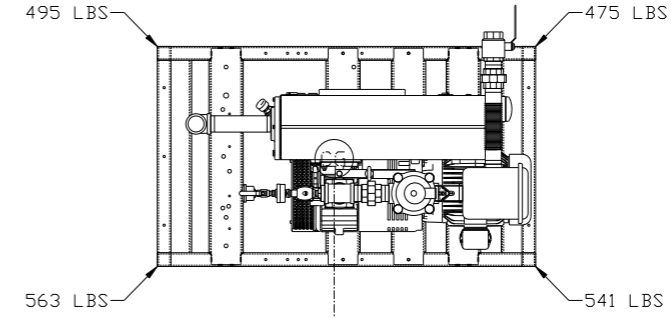
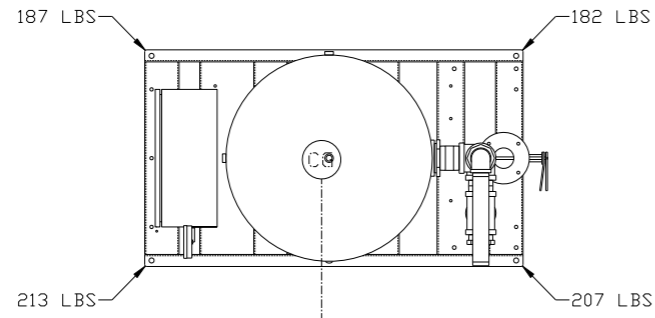
MINIMUM RECOMMENDED MAINTENANCE CLEARANCE



<b>SYMBOL LEGEND</b> ⊖ = MINUS DRAFT ⊕ = PLUS DRAFT ∅ = ADDITIONAL CONTROL REQ'D HRC = BRINELL HARDNESS		Drawings to conform to the current revision of the following ANSI standards: Y14.3 Multi and sectional view dgs. Y14.5M Dimensioning and tolerancing	
TOLERANCES NOT SPECIFIED .XX ± .XXX ± <math>\angle</math> (DEG) ±		<b>DO NOT SCALE DRAWING FOR DIMENSIONS</b> AUTOCAD REL2008 LT INCH Sheet 1 of 4 SCALE 1:14	
<b>CONFIDENTIAL DISCLOSURE</b> This drawing is the property of POWEREX, INC. of the SCOTT FETZER COMPANY and subject to return on demand. Its contents are confidential and must not be copied or submitted to outside parties for use or examination.			
DRAWN BY AEK		CHECKED BY DMS	
1/2/13		APPROVED BY JBC CT 1/2/13 1/2/13	
MATERIAL N/A		 150 PRODUCTION DRIVE, HARRISON, OHIO 45030 Ph: 888-769-7979 FAX: (513) 367-3125	
PART NAME 7. 5HP LAB VACUUM 200G TRIPLEX		DWG NO LVPT0755 SIZE D	

8 7 6 5 4 3 2 1

REV	ZONE	REVISION	DATE	ECN	NAME	CHKD
D-1	ALL	ADDED CENTER OF GRAVITY SHEETS	8/16/16	PXEC0139	AEK	GES



CONTROLS/TANK SKID:  
 TOTAL WEIGHT: 789 LBS  
 C.O.G. DIMENSIONS  
 X (FRONT): -15.52"  
 Y (RIGHT): 25.71"  
 Z (HEIGHT): 34.67"

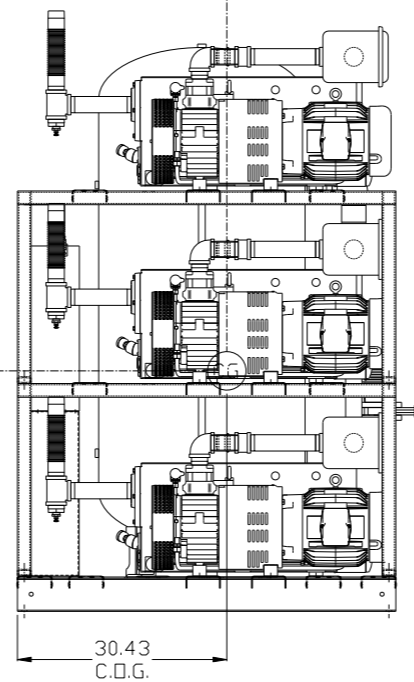
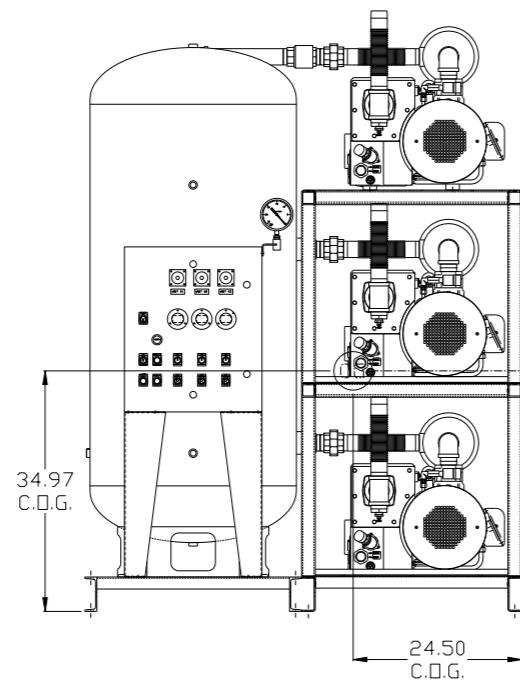
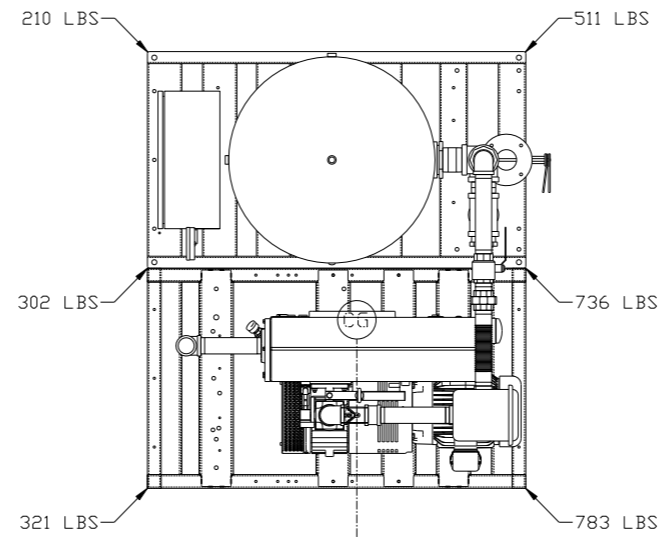
PUMP SKID:  
 TOTAL WEIGHT: 2074 LBS  
 C.O.G. DIMENSIONS  
 X (FRONT): -15.67"  
 Y (RIGHT): 32.53"  
 Z (HEIGHT): 35.12"

denotes center of gravity (CG)

<b>SYMBOL LEGEND</b> ⊖ = MINUS DRAFT ⊕ = PLUS DRAFT ⊕ = ADDITIONAL CONTROL REQ'D HRC = BRINELL HARDNESS		Drawings to conform to the current revision of the following ANSI standards: Y14.3 Multi: and sectional view dgs. Y14.5M Dimensioning and tolerancing	
TOLERANCES NOT SPECIFIED .XX ± .XXX ± <math>\angle</math>(DEG) ±		DO NOT SCALE DRAWING FOR DIMENSIONS SCALE: 1:14 Sheet 2 of 4	
AUTOCAD REL2008 LT INCH		CONFIDENTIAL DISCLOSURE This drawing is the property of POWEREX, INC. of the SCOTT FEITZER COMPANY and subject to return on demand. Its contents are confidential and must not be copied or submitted to outside parties for use or examination.	
DRAWN BY: AEK CHECKED BY: GES 8/16/16		APPROVED BY: ENGINEERING MFG/MKTG KMD JJ 8/16/16 8/16/16	
MATERIAL: N/A PART NAME: 7. 5HP LAB VACUUM 200G TRIPLEX		POWEREX 150 PRODUCTION DRIVE, HARRISON, OHIO 45030 Ph: 888-769-7979 FAX: (513) 367-3125	
DWG NO: LVPT0755		SIZE: D	



REV	ZONE	REVISION	DATE	ECN	NAME	CHKD
D-1	ALL	ADDED CENTER OF GRAVITY SHEETS	8/16/16	PXEC0139	AEK	GES



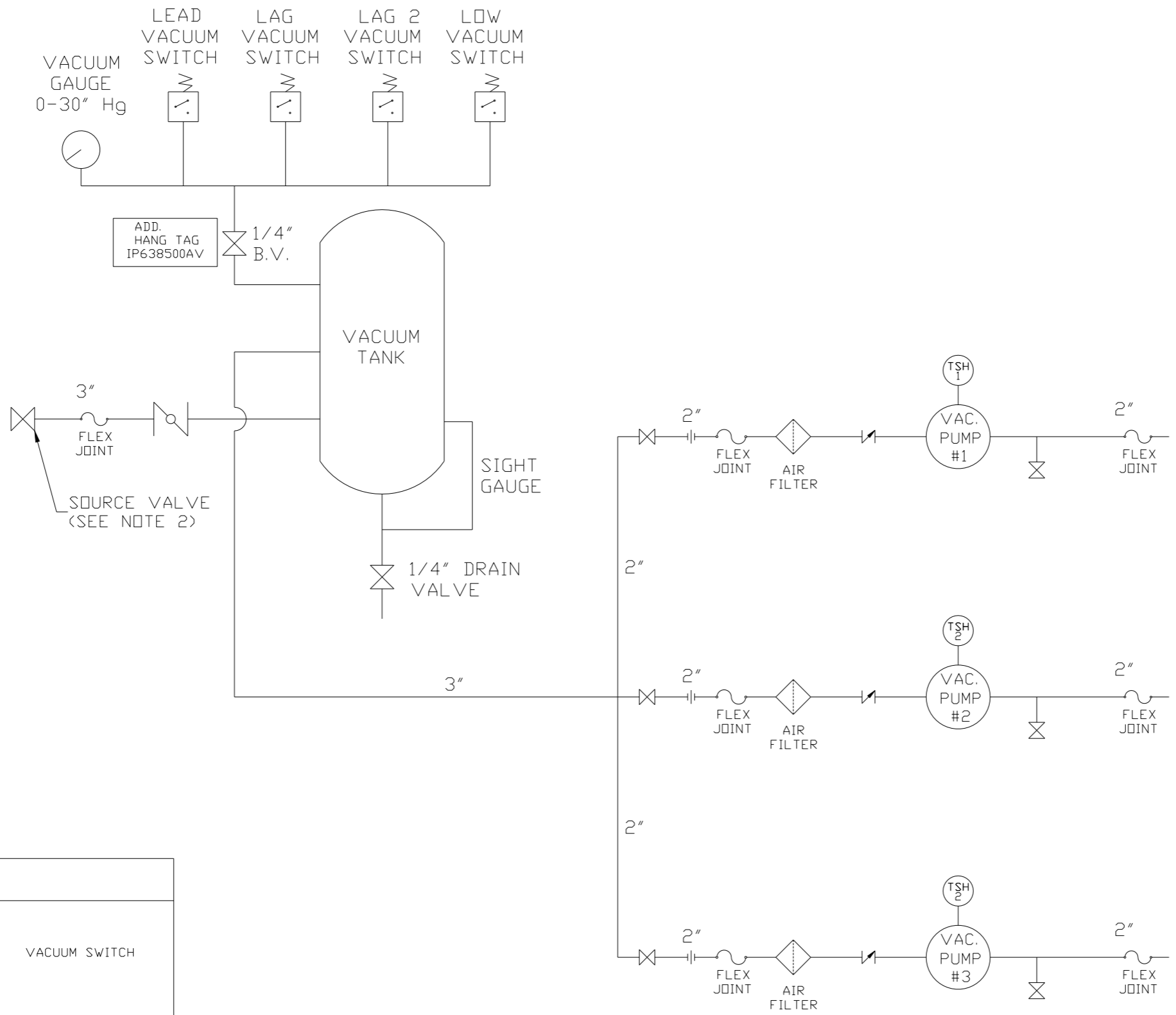
PUMP SKID:

TOTAL WEIGHT: 2863 LBS  
 C.O.G. DIMENSIONS  
 X (FRONT): -24.50"  
 Y (RIGHT): 30.43"  
 Z (HEIGHT): 34.97"

denotes center of gravity (CG)

<b>SYMBOL LEGEND</b> ⊖ = MINUS DRAFT ⊕ = PLUS DRAFT ∅ = ADDITIONAL CONTROL REQ'D HRC = BRINELL HARDNESS		Drawings to conform to the current revision of the following ANSI standards: Y14.3 Multi and sectional view dgs. Y14.5M Dimensioning and tolerancing	
TOLERANCES NOT SPECIFIED .XX ± .XXX ± <math>\angle</math>(DEG) ±		DO NOT SCALE DRAWING FOR DIMENSIONS AUTOCAD REL2008 LT INCH Sheet 3 of 4 SCALE 1:14	
<b>CONFIDENTIAL DISCLOSURE</b> This drawing is the property of POWEREX, INC. of the SCOTT FEITZER COMPANY and subject to return on demand. Its contents are confidential and must not be copied or submitted to outside parties for use or examination.			
DRAWN BY AEK		CHECKED BY GES	
APPROVED BY KMD		ENGINEERING MFG/MRKTG JJ	
MATERIAL N/A		DATE 8/16/16	
PART NAME 7. 5HP LAB VACUUM 200G TRIPLEX		DATE 8/16/16	
DWG NO LVPT0755		DATE 8/16/16	
SIZE D		DATE 8/16/16	

REV	ZONE	REVISION	DATE	ECN	NAME	CHKD
B-1	ALL	RELEASE TO PRODUCTION	1/2/13	PXEC003	AEK	DMS
C-1	1 ALL	ADDED 2" CLEARANCE BETWEEN SKID FRAMES ON PUMP LAYOUTS	9/18/13	PXEC004	AEK	GES
D-1	ALL	ADDED CENTER OF GRAVITY SHEETS	8/16/16	PXEC019	AEK	GES



LEGEND

	TEMP. SWITCH		VACUUM SWITCH
	BUTTERFLY VALVE		CHECK VALVE
	AIR FILTER		FLEX LINE
	BALL VALVE		UNION

NOTE:  
 1) TSH - TEMPERATURE SWITCH HIGH  
 2) PER NFPA THE SYSTEM WILL REQUIRE A SOURCE VALVE (SUPPLIED BY OTHERS).

NOTE:  
 A 1/4 INCH VENT PLUG IS LOCATED IN THE FILTER HOUSING.

SYMBOL LEGEND			ADDITIONAL CONTROL REQ'D	Drawings to conform to the current revision of the following ANSI standards:
	MINUS DRAFT		BRINELL HARDNESS	Y14.3 Multi and sectional view dgs. Y14.5M Dimensioning and tolerancing
TOLERANCES NOT SPECIFIED		AUTOCAD REL2008 LT	DO NOT SCALE DRAWING FOR DIMENSIONS	
.XX ±		INCH	Sheet 4 of 4	SCALE 1:14
.XXX ±				
<DEG. ±				
CONFIDENTIAL DISCLOSURE This drawing is the property of POWEREX, INC. OF THE SCOTT FETZER COMPANY and subject to return on demand. Its contents are confidential and must not be copied or submitted to outside parties for use or examination.				
DRAWN BY		CHECKED BY	APPROVED BY	
AEK		DMS	JBC	CT
1/2/13		1/2/13	1/2/13	1/2/13
MATERIAL		N/A		
PART NAME		TRIPLEX LAB VAC FLOW SCHEMATIC		
DWG NO		LVPT0755		
SIZE		D		