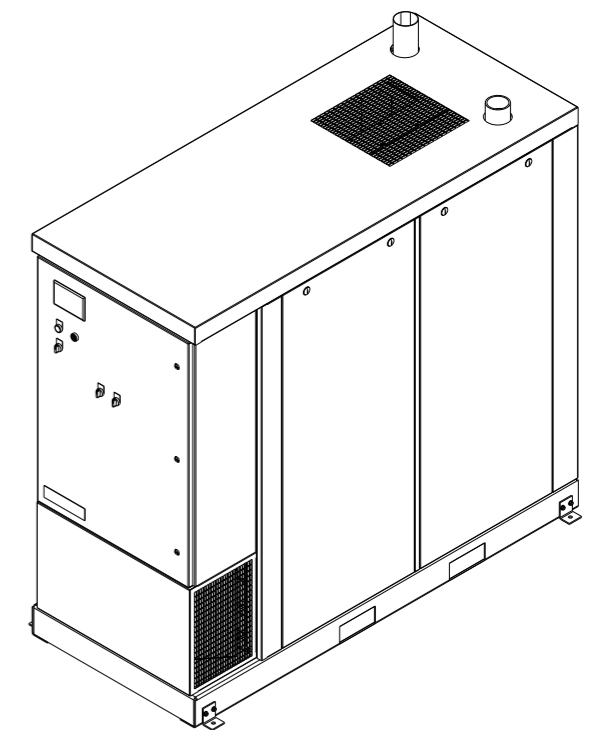
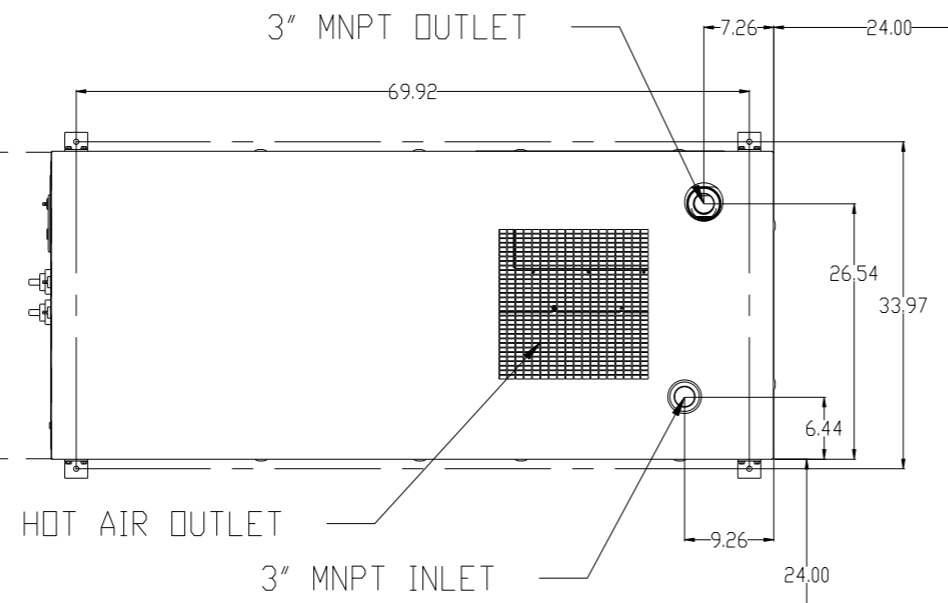


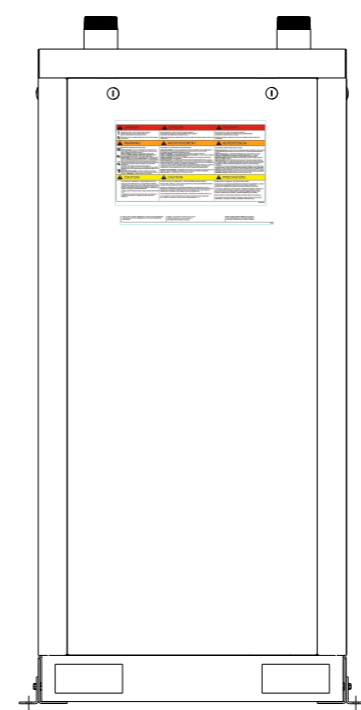
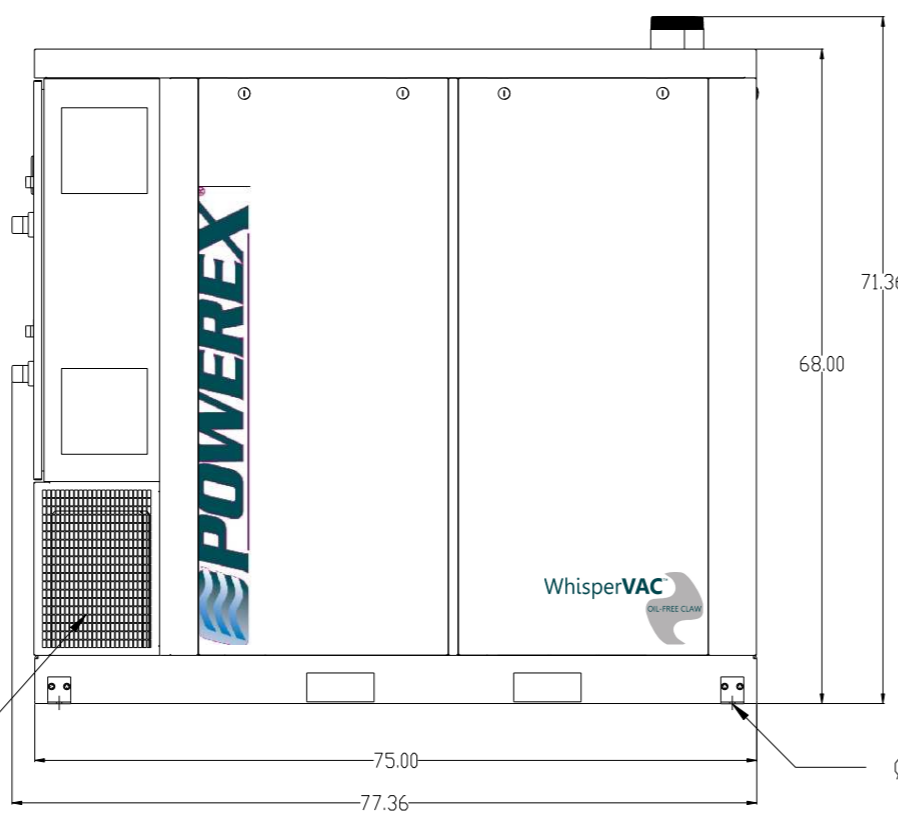
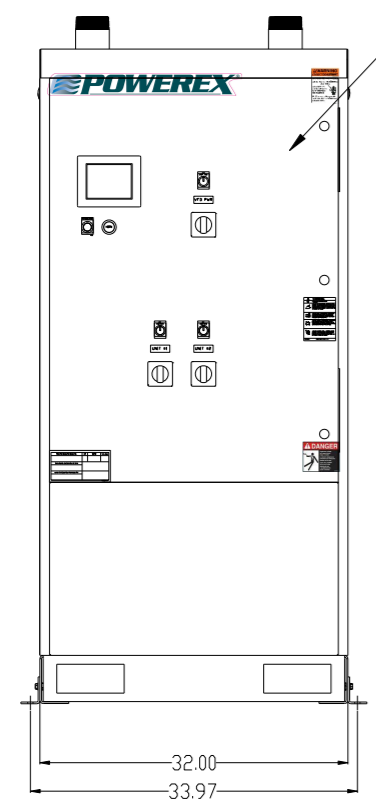
REV	ZONE	REVISION	DATE	ECN	NAME	CHKD
B-1	ALL	RELEASE TO PRODUCTION	1/19/16	PKC0138	GES	AEK

CONTROL PANEL
CLEARANCE PER
OSHA/NEC

RECOMMENDED
MAINTENANCE CLEARANCE



PBMI / HMI CONTROL PANEL



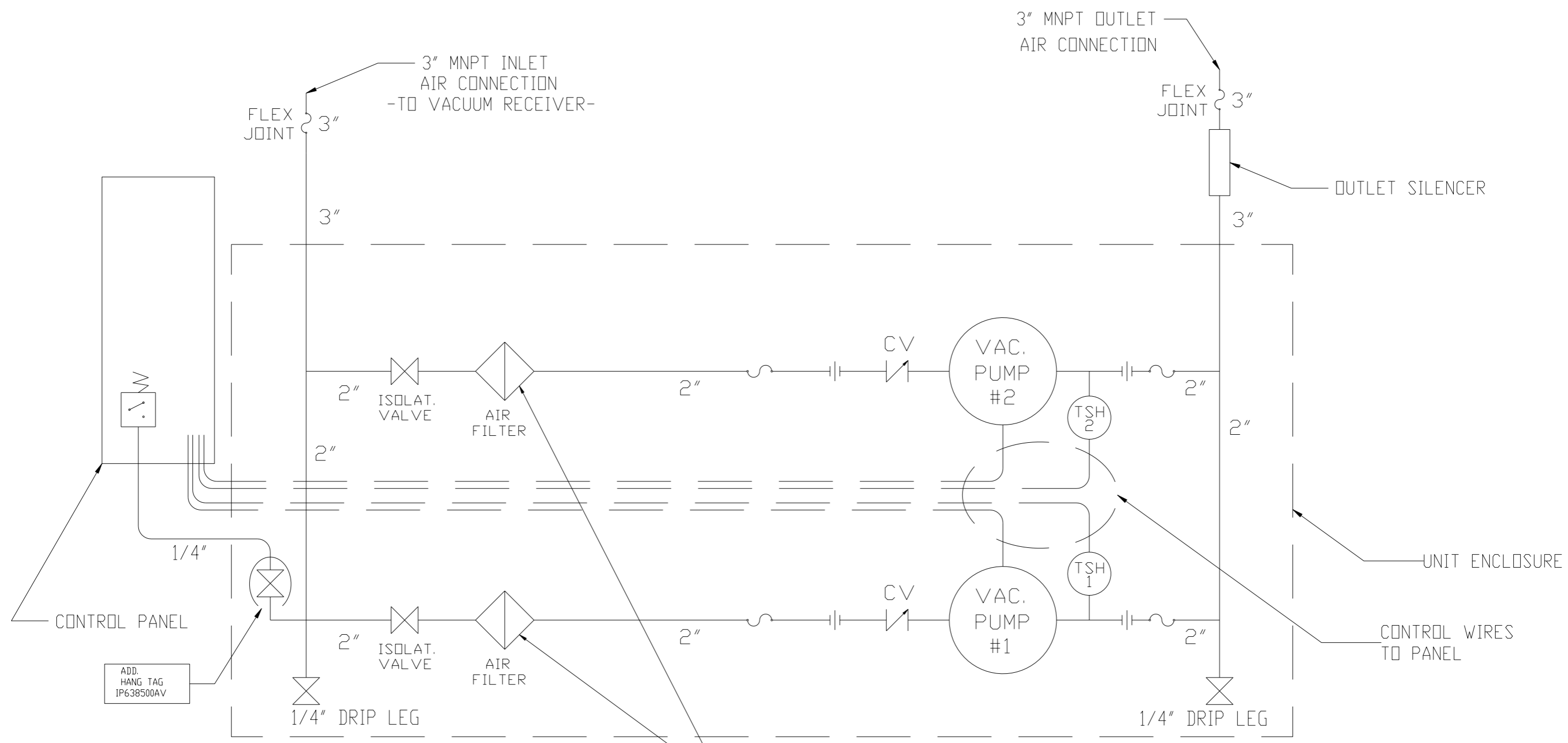
Ø0.55 X 4 MOUNTING HOLES

COOL AIR INLET

- NOTES:
 1.) SHEET 1, UNIT BUILD
 2.) SHEET 2, FLOW SCHEMATIC

SYMBOL LEGEND		= ADDITIONAL CONTROL REQ'D		Drawings to conform to the current revision of the following ANSI standards:	
⊖	MINUS DRAFT	⊕	PLUS DRAFT	Ⓢ	BRINELL HARDNESS
TOLERANCES NOT SPECIFIED		AUTOCAD REL2014LT		DO NOT SCALE DRAWING FOR DIMENSIONS	
.XX	±	INCH		Sheet 1 of 2	SCALE N/A
.XXX	±				
<∠ DEG >	±				
CONFIDENTIAL DISCLOSURE This drawing is the property of POWEREX INC. of the SCOTT FETZER COMPANY and subject to return on demand. Its contents are confidential and must not be copied or submitted to outside parties for use or examination.					
DRAWN BY		CHECKED BY		APPROVED BY	
GES		AEK		GES RJR	
1/19/16		1/19/16		1/19/16 1/19/16	
MATERIAL		N/A		 150 PRODUCTION DRIVE, HARRISON, OHIO 45030 Ph: 888-769-7979 FAX: (513) 367-3125	
PART NAME		MED CLAW ENCLOSED		SIZE	
BIG 7.5HP DUPLEX VACUUM		DWG NO		MCED0757	

REV	ZONE	REVISION	DATE	ECN	NAME	CHKD
B-1	ALL	RELEASE TO PRODUCTION	1/19/16	PKC0138	GES	AEK



LEGEND	
	TEMP. SWITCH
	AIR FILTER
	BALL VALVE
	VACUUM TRANSDUCER
	CHECK VALVE
	FLEX LINE
	UNION

NOTE:
A 1/4 INCH VENT PLUG IS
LOCATED IN EACH FILTER HOUSING.

- NOTES:
1) TSH - TEMPERATURE SWITCH HIGH
2) PER NFPA THE SYSTEM WILL REQUIRE A SOURCE VALVE (SUPPLIED BY OTHERS).
3) OUTLET SILENCER AND FLEX HOSES SHIP LOOSE FOR FIELD INSTALLATION.

SYMBOL LEGEND ⊖ = MINUS DRAFT ⊕ = PLUS DRAFT TOLERANCES NOT SPECIFIED .XX ± .XXX ± <DEG. ±		⊕ = ADDITIONAL CONTROL REQ'D ⊕ = BRINELL HARDNESS Drawings to conform to the current revision of the following ANSI standards: Y14.3 Multi and sectional view dgs Y14.5M Dimensioning and tolerancing	
AUTOCAD REL2014LT INCH		DO NOT SCALE DRAWING FOR DIMENSIONS Sheet 2 of 2 SCALE N/A	
CONFIDENTIAL DISCLOSURE This drawing is the property of POWEREX INC. of the SCOTT FITZGER COMPANY and subject to return on demand. Its contents are confidential and must not be copied or submitted to outside parties for use or examination.			
DRAWN BY GES		CHECKED BY AEK	
APPROVED BY GES		APPROVED BY MFG/MRKTG RJR	
MATERIAL N/A		1/19/16 1/19/16 1/19/16 1/19/16	
PART NAME MED CLAW ENCLOSED		 150 PRODUCTION DRIVE, HARRISON, OHIO 45030 Ph 888-769-7979 FAX (513) 367-3125	
BIG 7.5HP DUPLEX VACUUM		DWG NO MCED0757	
		SIZE D	