

UTILITY DATA, MODEL KNWA00-C/H

OPERATING AND MAX PRESSURE	NAME PLATE POWER	HEAT REJECTION TO AIR	APPROX. POWER CONSUMPTION	APPROX. SHIPPING WEIGHT
PSIG	HP	BTU/MIN	KW	LB
125	40	1,930	37	2,480

UTILITY DATA, MODEL KNWA00-D/L

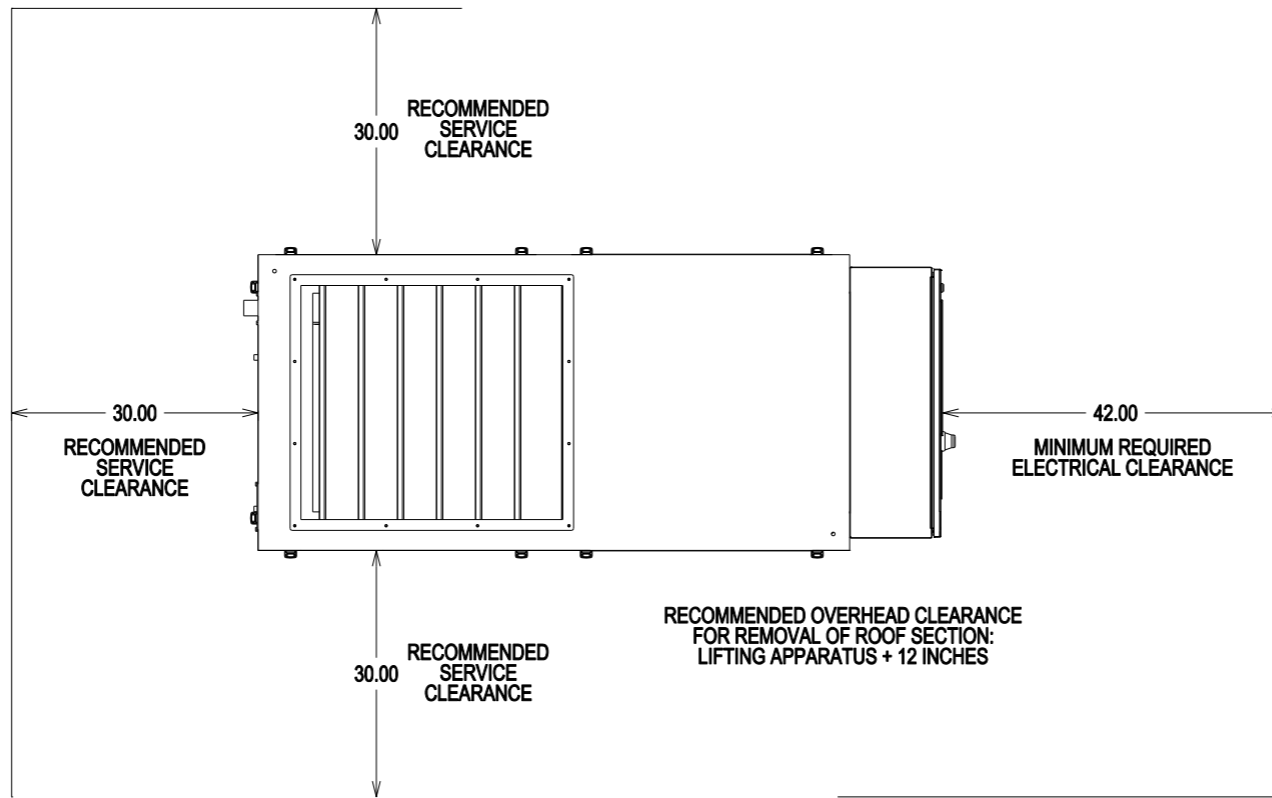
OPERATING AND MAX PRESSURE	NAME PLATE POWER	HEAT REJECTION TO AIR	APPROX. POWER CONSUMPTION	APPROX. SHIPPING WEIGHT
PSIG	HP	BTU/MIN	KW	LB
100	40	2250	43	2,480

ELECTRICAL REQUIREMENTS: 3Ø, 60 Hz, 480 VOLTS

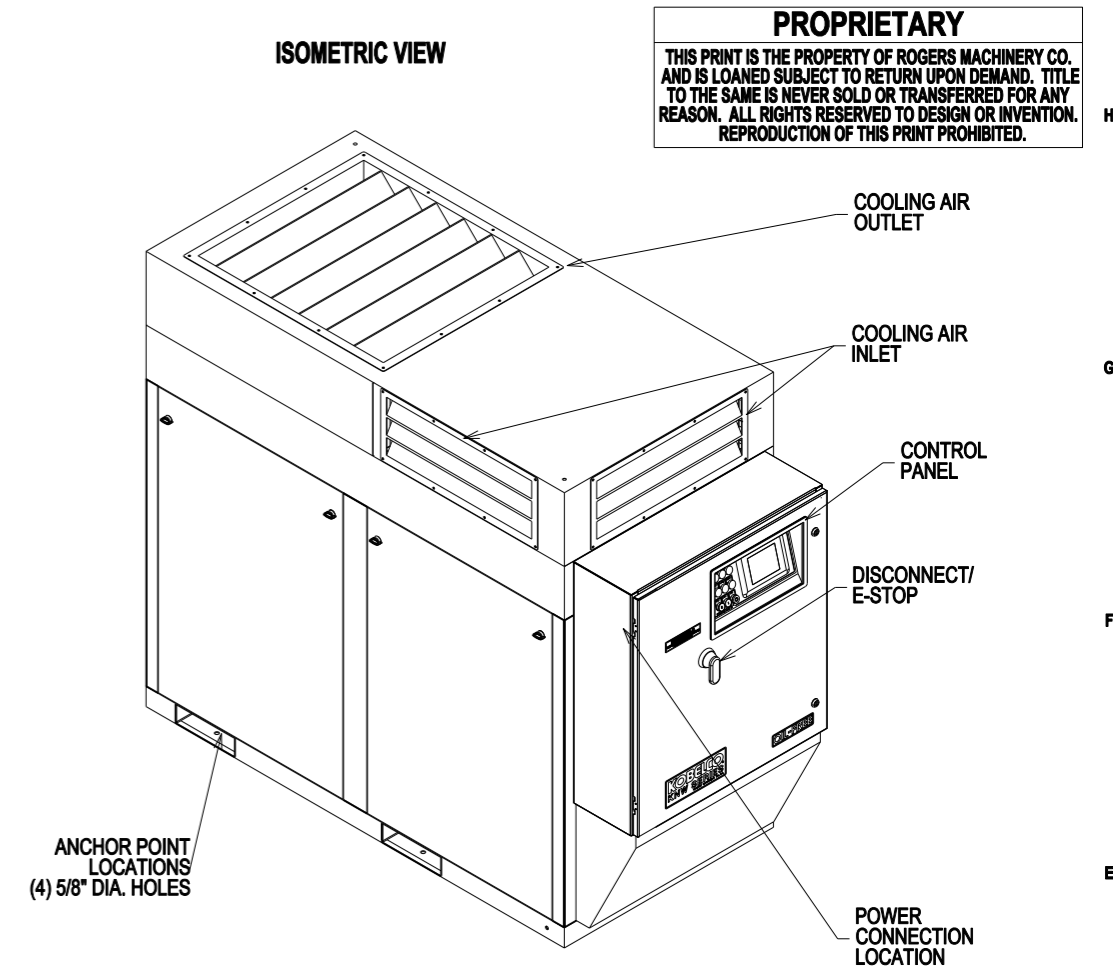
NOTES:
 1. PERFORMANCE DATA SHOWN IS FOR STANDARD CONDITIONS OF AMBIENT PRESSURE 14.5 PSIA, AMBIENT TEMPERATURE 80°F, RELATIVE HUMIDITY 60%. OPERATION IN OTHER CONDITIONS WILL AFFECT PERFORMANCE.
 2. VALUES WILL VARY ±4% FOR CAPACITY AND ±5% FOR SPECIFIC POWER.

NOT SUITABLE FOR OUTDOOR WEATHER.

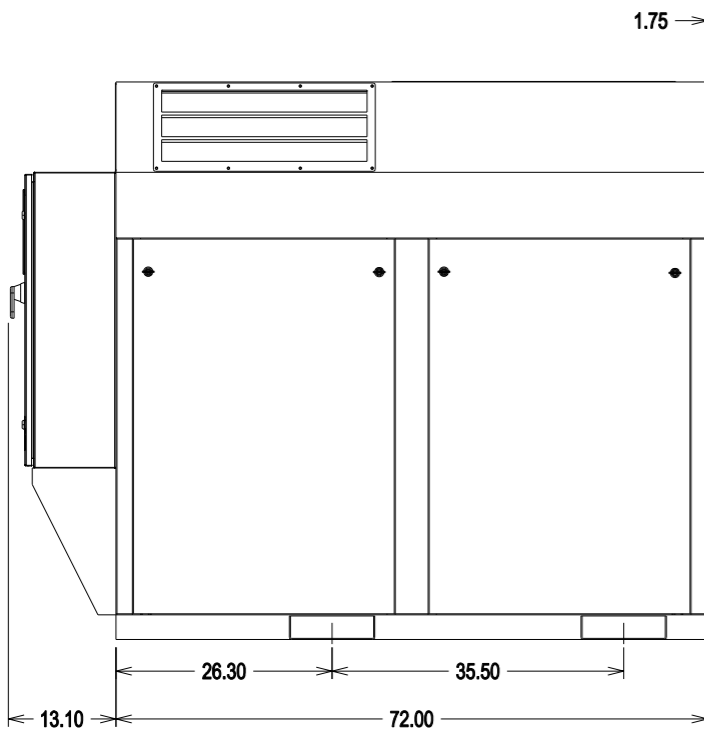
TOP VIEW WITH RECOMMENDED SERVICE CLEARANCES



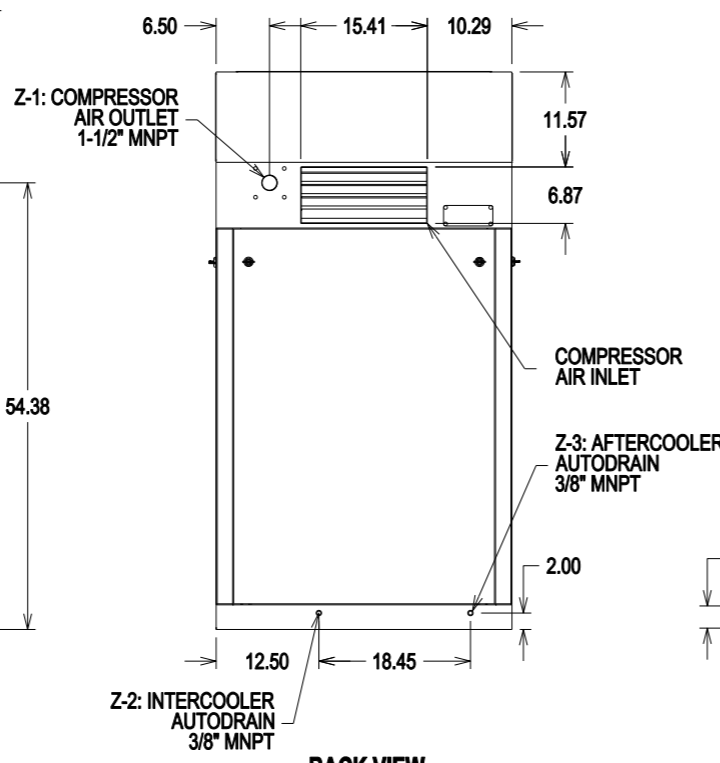
ISOMETRIC VIEW



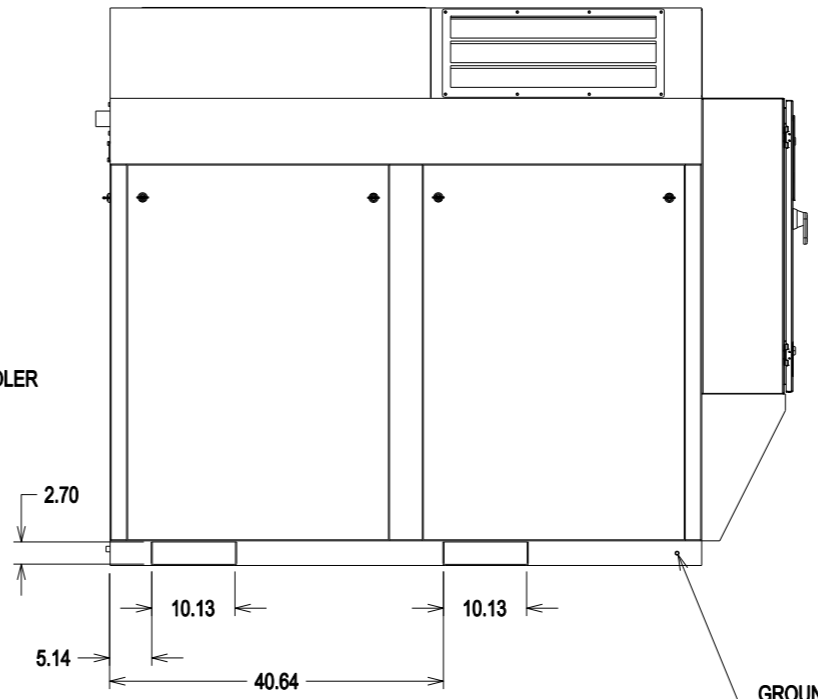
PROPRIETARY
 THIS PRINT IS THE PROPERTY OF ROGERS MACHINERY CO. AND IS LOANED SUBJECT TO RETURN UPON DEMAND. TITLE TO THE SAME IS NEVER SOLD OR TRANSFERRED FOR ANY REASON. ALL RIGHTS RESERVED TO DESIGN OR INVENTION. REPRODUCTION OF THIS PRINT PROHIBITED.



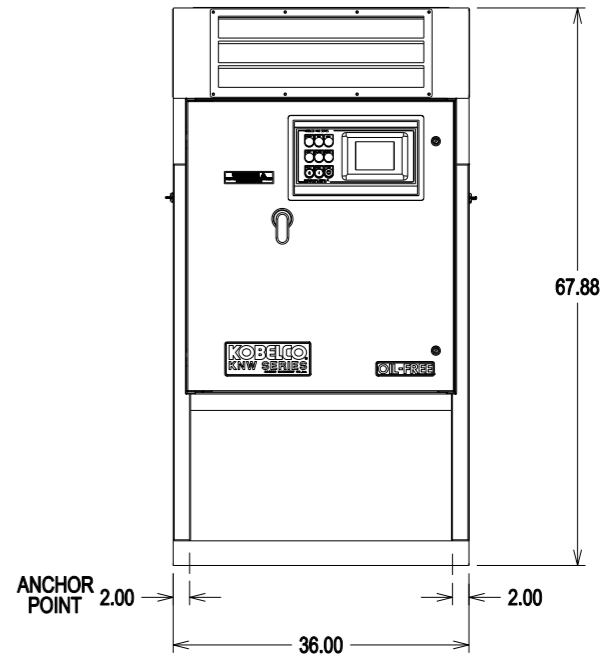
RIGHT VIEW



BACK VIEW



LEFT VIEW



FRONT VIEW

DIMENSIONS IN INCHES

ROGERS MACHINERY COMPANY, INC.
 CORPORATE ENGINEERING
 14650 S.W. 72ND AVENUE
 PORTLAND, OREGON 97224
 www.rogers-machinery.com

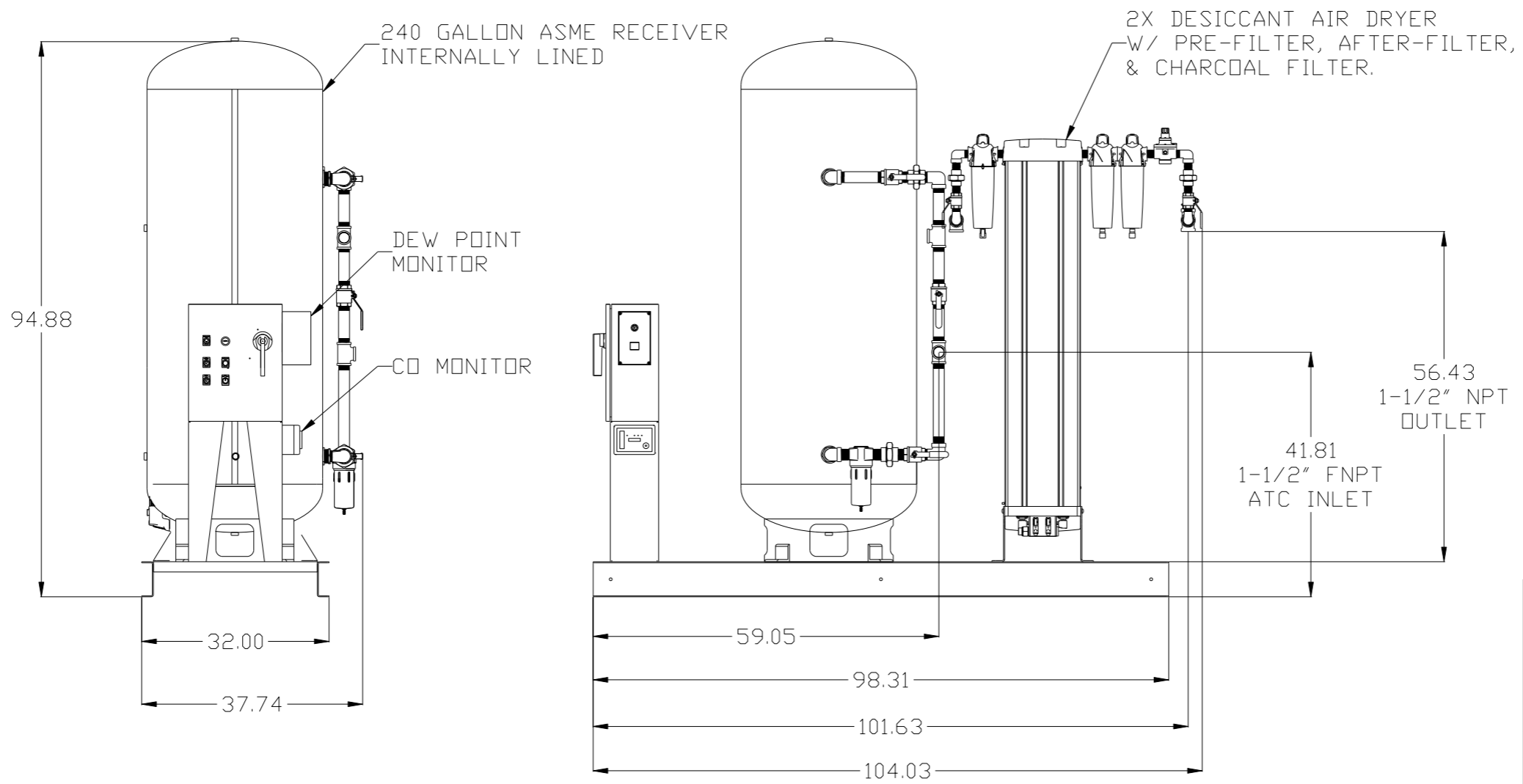
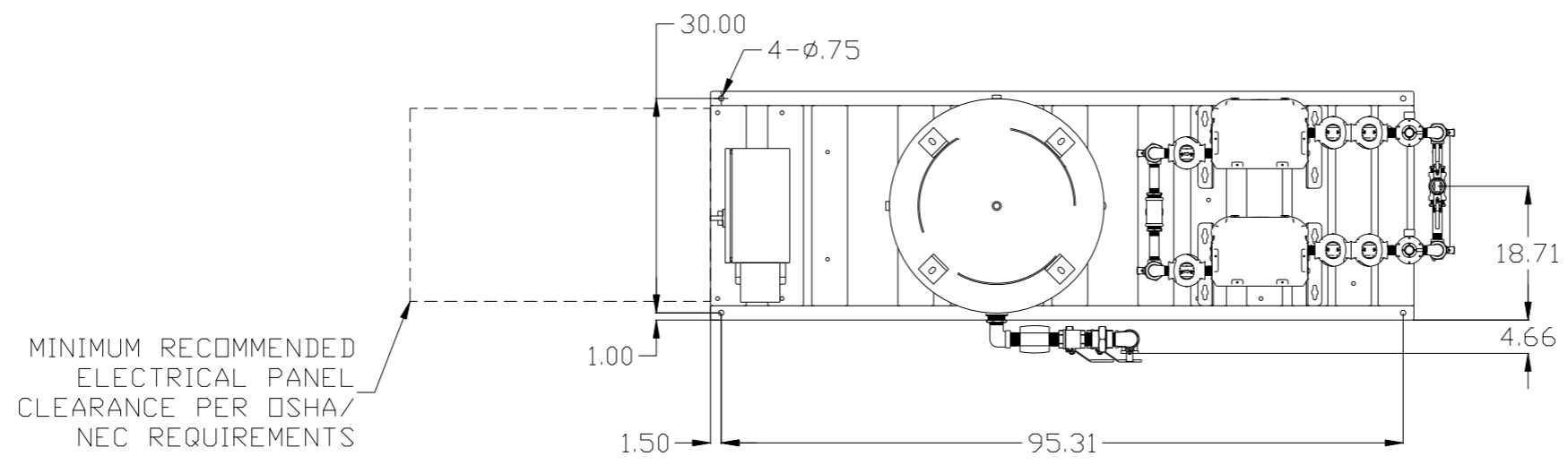
REV	DATE	BY	DESCRIPTION

DRAWN	G.E. WILKER	4DEC13
CHECKED		
SIZE	B	SCALE 1:24
SERIAL#	POWEREX - TBD	

COMPRESSOR ASSEMBLY
 KOBELCO KNW SERIES AIR COMPRESSOR
 MODEL KNWA00-C/H or D/L, AIR-COOLED
 WYE-DELTA STARTER
 STANDARD ASSEMBLY

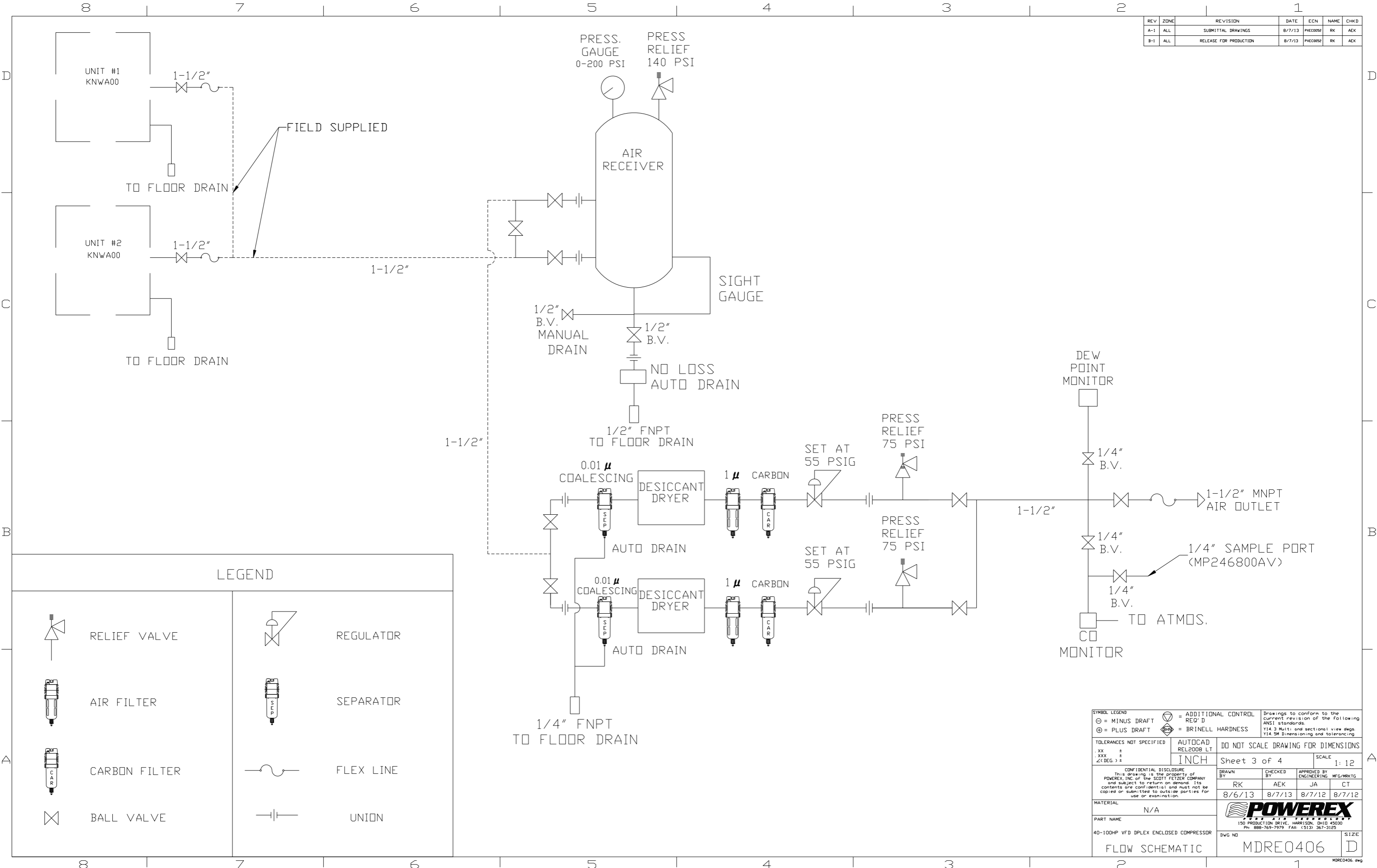
DRAWING NUMBER
K40345A.0
 SHEET 1 OF 1

REV	ZONE	REVISION	DATE	ECN	NAME	CHKD
A-1	ALL	SUBMITTAL DRAWINGS	8/7/13	PXEC0052	RK	AEK
B-1	ALL	RELEASE FOR PRODUCTION	8/7/13	PXEC0052	RK	AEK



SYMBOL LEGEND \ominus = MINUS DRAFT \oplus = PLUS DRAFT <small>TOLERANCES NOT SPECIFIED .XX ± .XXX ± <math>\angle</math>(DEG.) ±</small>		⊕ = ADDITIONAL CONTROL REQ'D Ⓜ = BRINELL HARDNESS <small>Drawings to conform to the current revision of the following ANSI standards: Y14.3 Multi and sectional view deqs Y14.9M Dimensioning and tolerancing</small>	
<small>CONFIDENTIAL DISCLOSURE This drawing is the property of POWEREX, INC. of the SCOTT FETZER COMPANY and subject to return on demand. Its contents are confidential and must not be copied or submitted to outside parties for use or examination.</small>		<small>DO NOT SCALE DRAWING FOR DIMENSIONS</small> Sheet 2 of 4 SCALE 1:12	
<small>MATERIAL</small> N/A		<small>DRAWN BY</small> RK <small>CHECKED BY</small> AEK <small>APPROVED BY ENGINEERING</small> JA <small>MFG/MRKTG</small> CT <small>8/6/13</small> <small>8/7/13</small> <small>8/7/12</small> <small>8/7/12</small>	
<small>PART NAME</small> DRYER PACKAGE SKID 32" x 98.31"		 150 PRODUCTION DRIVE, HARRISON, OHIO 45030 Ph: 888-769-7979 FAX: (513) 367-3125 <small>DWG NO</small> MDRE0406 <small>SIZE</small> D	

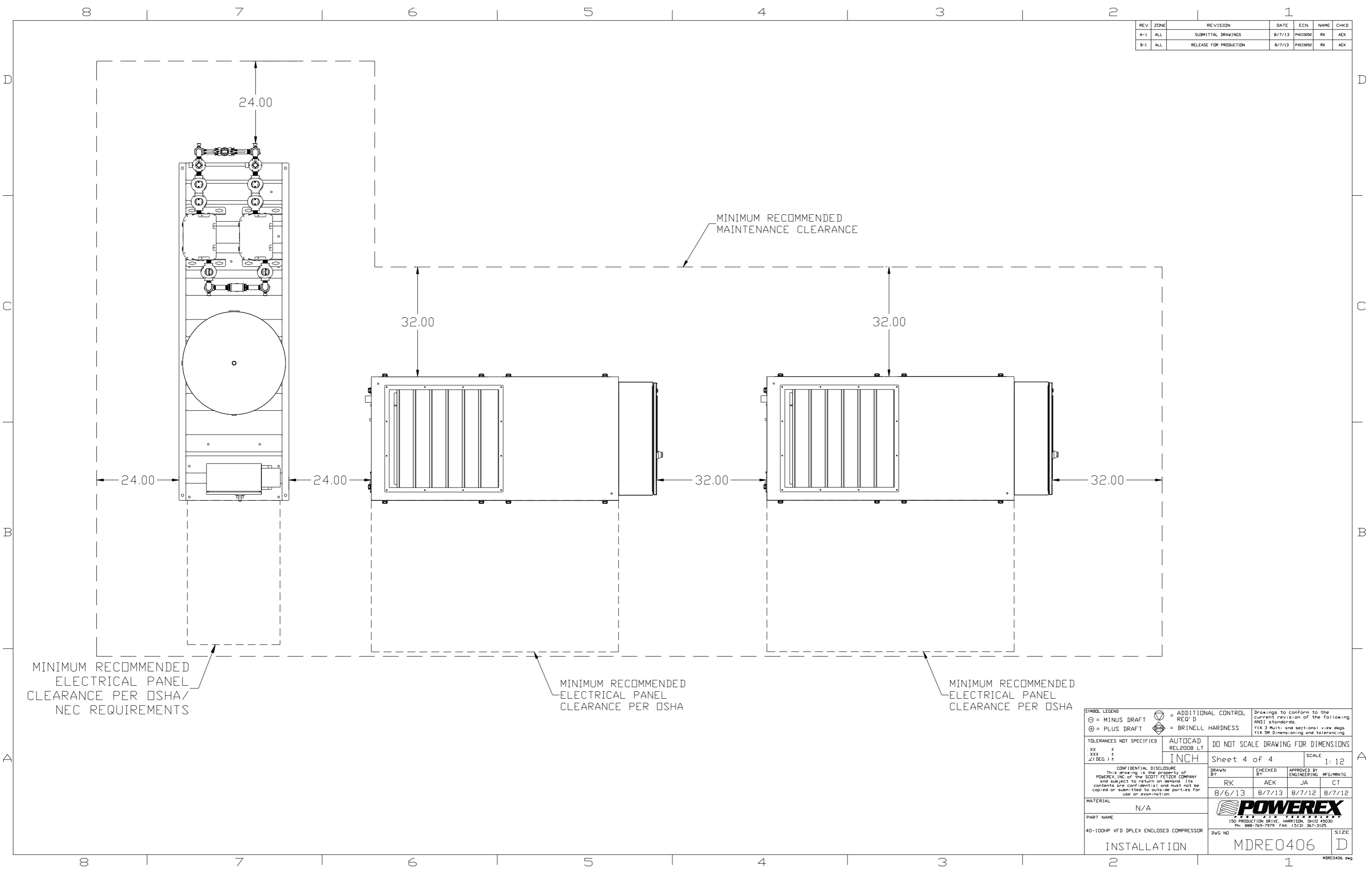
REV	ZONE	REVISION	DATE	ECN	NAME	CHKD
A-1	ALL	SUBMITTAL DRAWINGS	8/7/13	PREC0092	RK	AEK
B-1	ALL	RELEASE FOR PRODUCTION	8/7/13	PREC0092	RK	AEK



LEGEND	
	RELIEF VALVE
	AIR FILTER
	CARBON FILTER
	BALL VALVE
	REGULATOR
	SEPARATOR
	FLEX LINE
	UNION

SYMBOL LEGEND		= ADDITIONAL CONTROL REQ'D	Drawings to conform to the current revision of the following ANSI standards:
= MINUS DRAFT	= PLUS DRAFT	= BRINELL HARDNESS	Y14.3 Multi and sectional view dwgs Y14.5M Dimensioning and tolerancing
TOLERANCES NOT SPECIFIED		AUTOCAD REL2008 LT	DO NOT SCALE DRAWING FOR DIMENSIONS
.XX ±	.XXX ±	<<DEG> ±	Sheet 3 of 4
INCH		SCALE	1:12
CONFIDENTIAL DISCLOSURE This drawing is the property of POWEREX, INC. of the SCOTT FETZER COMPANY and subject to return on demand. Its contents are confidential and must not be copied or submitted to outside parties for use or examination.			
DRAWN BY	CHECKED BY	APPROVED BY	DATE
RK	AEK	JA	CT
8/6/13	8/7/13	8/7/12	8/7/12
MATERIAL		N/A	
PART NAME		40-100HP VFD DPLEX ENCLOSED COMPRESSOR	
DWG NO		MDRE0406	
FLOW SCHEMATIC		SIZE D	

REV	ZONE	REVISION	DATE	ECN	NAME	CHKD
A-1	ALL	SUBMITTAL DRAWINGS	8/7/13	PKE0002	RK	AEK
B-1	ALL	RELEASE FOR PRODUCTION	8/7/13	PKE0002	RK	AEK



MINIMUM RECOMMENDED ELECTRICAL PANEL CLEARANCE PER OSHA/NEC REQUIREMENTS

MINIMUM RECOMMENDED ELECTRICAL PANEL CLEARANCE PER OSHA

MINIMUM RECOMMENDED ELECTRICAL PANEL CLEARANCE PER OSHA

SYMBOL LEGEND ⊖ = MINUS DRAFT ⊕ = PLUS DRAFT ⊕ = ADDITIONAL CONTROL REQ'D HRC = BRINELL HARDNESS		Drawings to conform to the current revision of the following ANSI standards: Y14.3 Multi and sectional view dwgs. Y14.5M Dimensioning and tolerancing	
TOLERANCES NOT SPECIFIED .XX ± .XXX ± <DEG. > ±		AUTOCAD REL2008 LT INCH	
DO NOT SCALE DRAWING FOR DIMENSIONS Sheet 4 of 4 SCALE 1:12		CONFIDENTIAL DISCLOSURE This drawing is the property of POWEREX, INC. of the SCOTT FETZER COMPANY and subject to return on demand. Its contents are confidential and must not be copied or submitted to outside parties for use or examination.	
DRAWN BY RK 8/6/13	CHECKED BY AEK 8/7/13	APPROVED BY ENGINEERING JA 8/7/12	MFG/MRKTG CT 8/7/12
MATERIAL N/A		 150 PRODUCTION DRIVE, HARRISON, OHIO 45030 Ph: 888-769-7979 FAX: (513) 367-3125	
PART NAME 40-100HP VFD DPLEX ENCLOSED COMPRESSOR		DWG NO MDRE0406	SIZE D
INSTALLATION		MDRE0406.dwg	