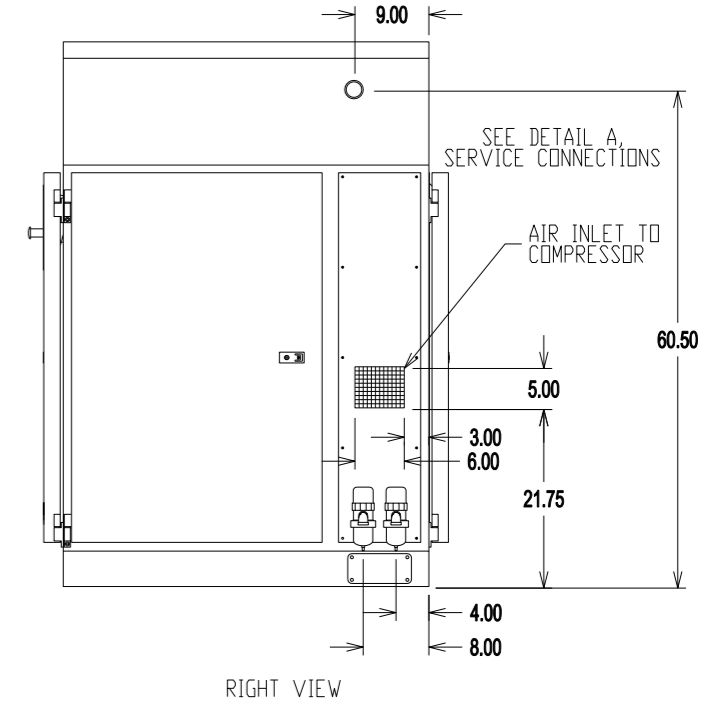
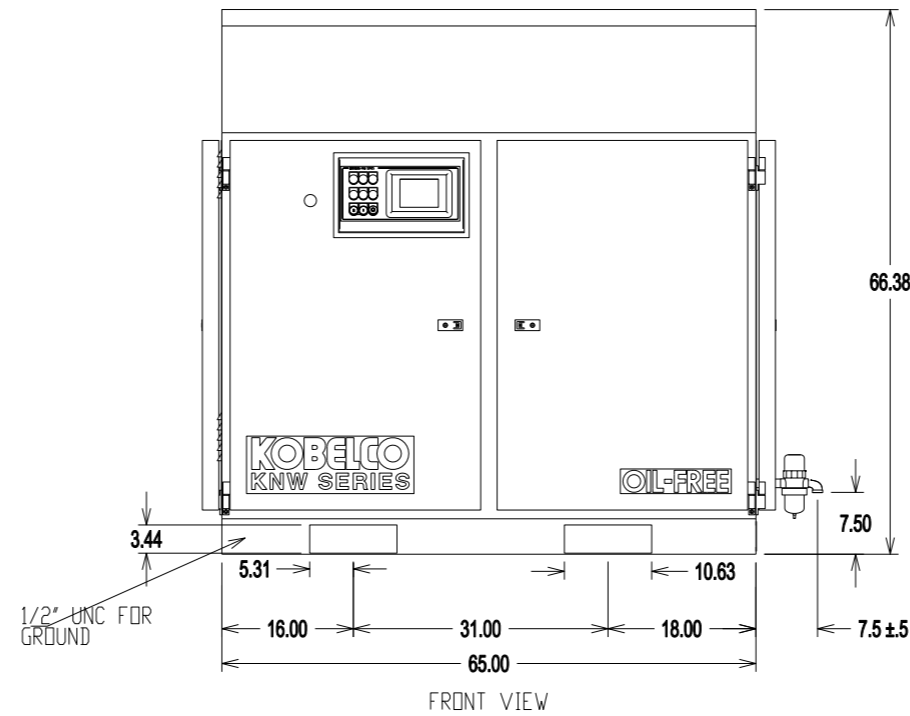
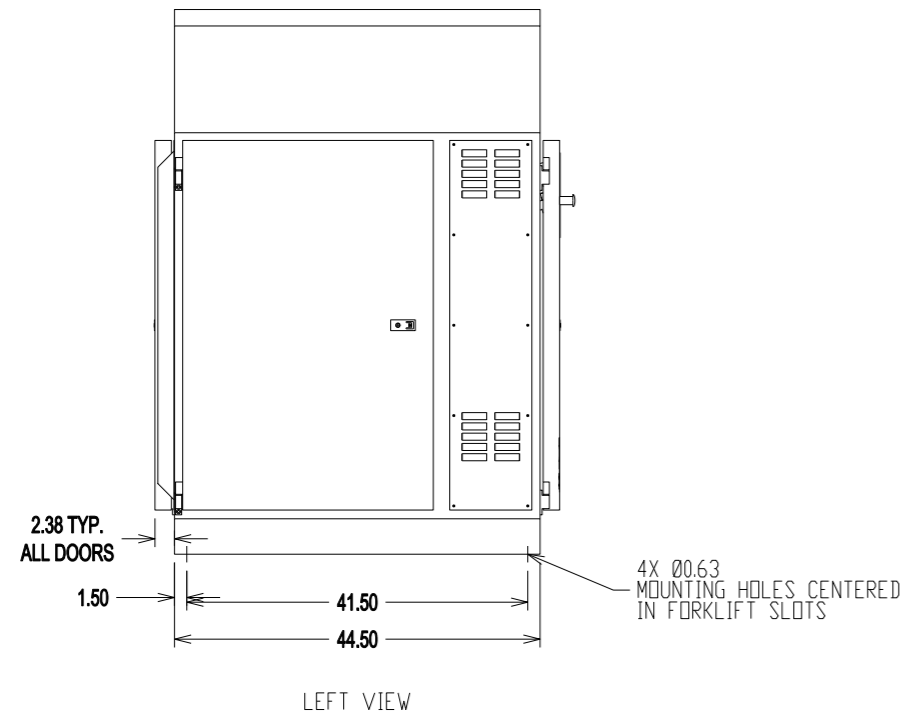
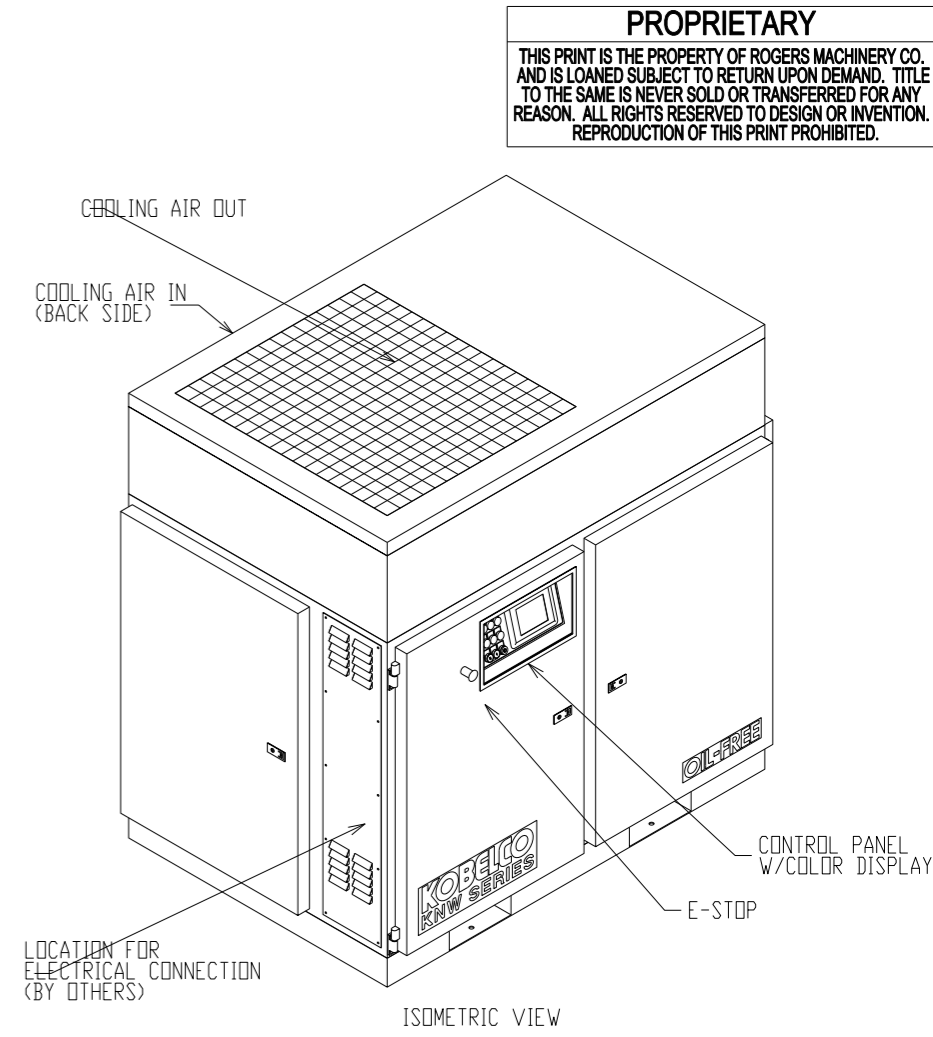
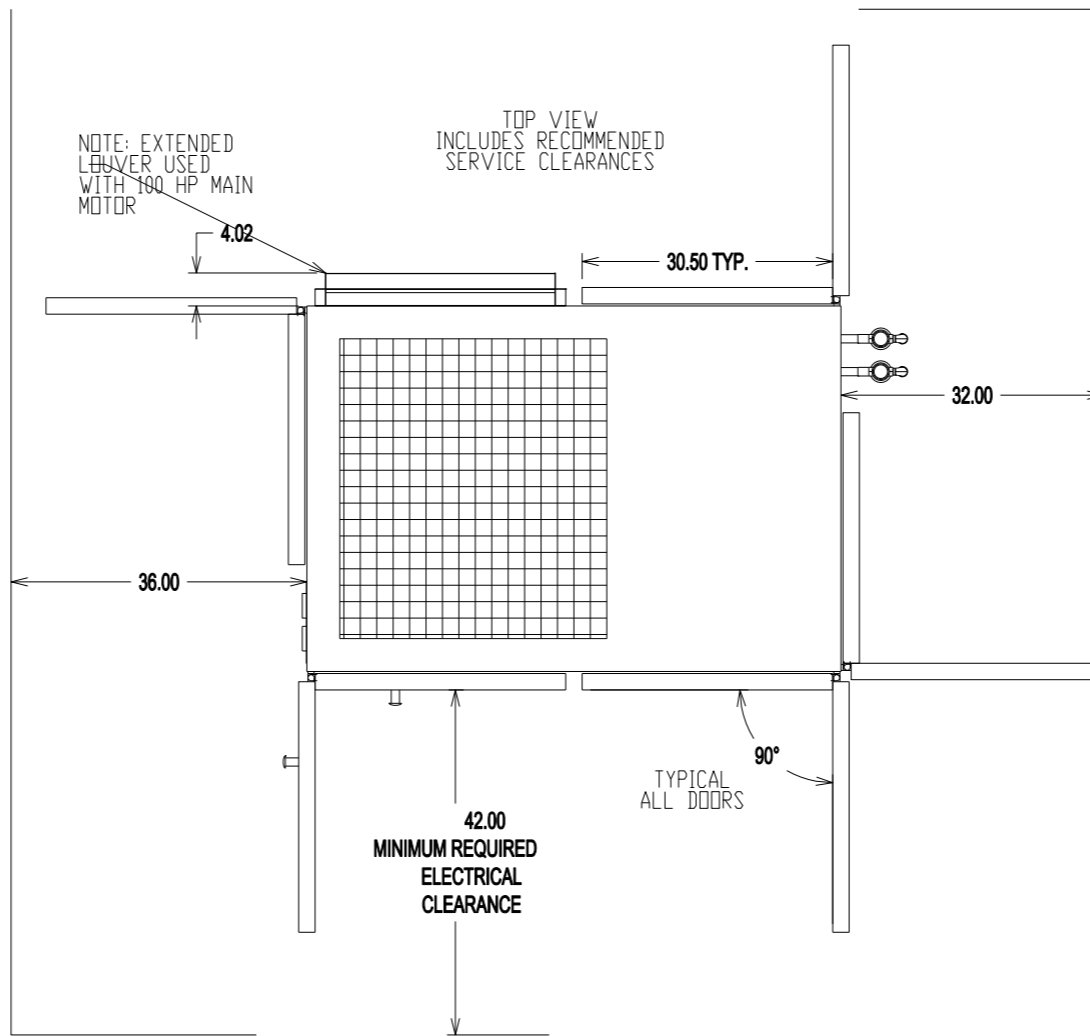
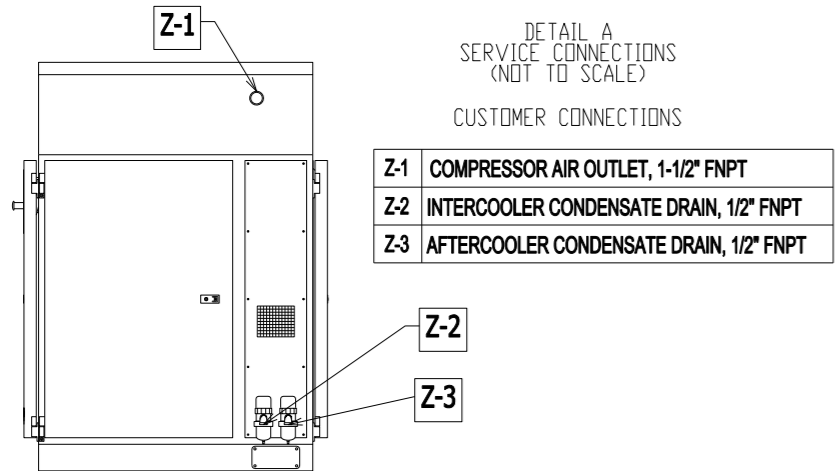


UTILITY REQUIREMENTS

MODEL	PRESSURE	NAMEPLATE HORSEPOWER	COOLING FAN OUTPUT CFM	HEAT REJECTION TO AIR BTU/MIN	APPROX. POWER CONSUMPTION kW	APPROX. SHIPPING WEIGHT LB
A/H	125 PSIG (OPERATING)	50	6500	2350	45	3670
	150 PSIG (MAX WORKING)		6500	2620	50	
B/L	100 PSIG (OPERATING)	50	6500	2590	49	3670
	125 PSIG (OPERATING)		6500	2900	55	
B/H	100 PSIG (OPERATING)	60	6500	3210	60	3740
	125 PSIG (OPERATING)		6500	3160	59	
C/L	100 PSIG (OPERATING)	60	6500	3540	66	3880
	125 PSIG (OPERATING)		6500	3940	73	
C/H	100 PSIG (OPERATING)	75	6500	3580	67	3880
	125 PSIG (OPERATING)		6500	4020	74	
D/L	100 PSIG (OPERATING)	75	6500	4200	77	3910
	125 PSIG (OPERATING)		6500	4200	77	
D/H	125 PSIG (OPERATING)	100	6500	4420	81	3910
	135 PSIG (MAX WORKING)		6500	4420	81	
E/L	100 PSIG (OPERATING)	100	6500	4420	81	3910

ELECTRICAL REQUIREMENTS: 3Ø, 60Hz, 480V

- NOTES**
 1. PERFORMANCE DATA SHOWN IS FOR STANDARD CONDITIONS OF AMBIENT PRESSURE 14.5 PSIA, AMBIENT TEMPERATURE 80°F, RELATIVE HUMIDITY 60%. OPERATION IN OTHER CONDITIONS WILL AFFECT PERFORMANCE.
 2. VALUES WILL VARY ±4% FOR CAPACITY AND ±5% FOR SPECIFIC POWER.



DIMENSIONS ARE IN INCHES UNLESS OTHERWISE NOTED

ROGERS MACHINERY COMPANY, INC. CORPORATE ENGINEERING
 14650 S.W. 72ND AVENUE
 PORTLAND, OREGON 97224
 www.rogers-machinery.com

REV	DATE	BY	CK	DESCRIPTION

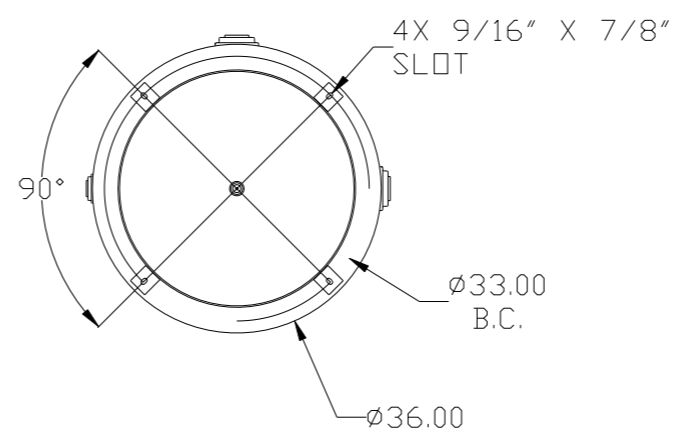
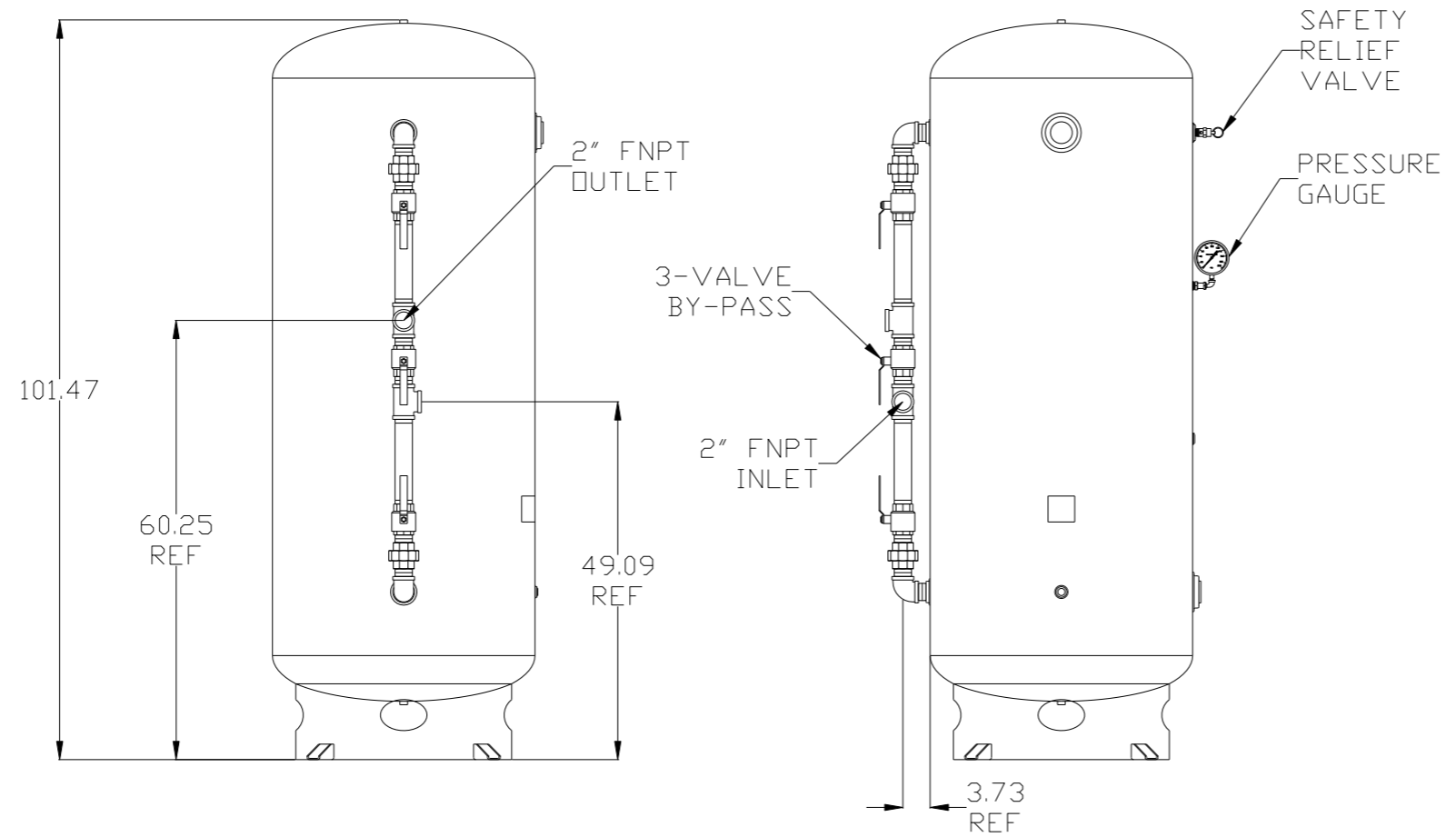
DRAWN	G.E. WILKER	05DEC13
CHECKED		
SIZE	B	SCALE 1:24
SERIAL#	POWEREX - TBD	

COMPRESSOR ASSEMBLY
 KOBELCO KNW SERIES AIR COMPRESSOR
 MODEL KNWA0, AIR-COOLED
 WYE-DELTA STARTER, STANDARD ASSEMBLY

DRAWING NUMBER
K00754A.0
 SHEET 1 OF 1

8	7	6	5	4	3	2	1
GALLONS	SIZE	DESIGN PRESSURE	WEIGHT lbs.	DESCRIPTION			
400	36 x 101	200 PSI	700	ASME VERTICAL INDUSTRIAL w/BASE RING			

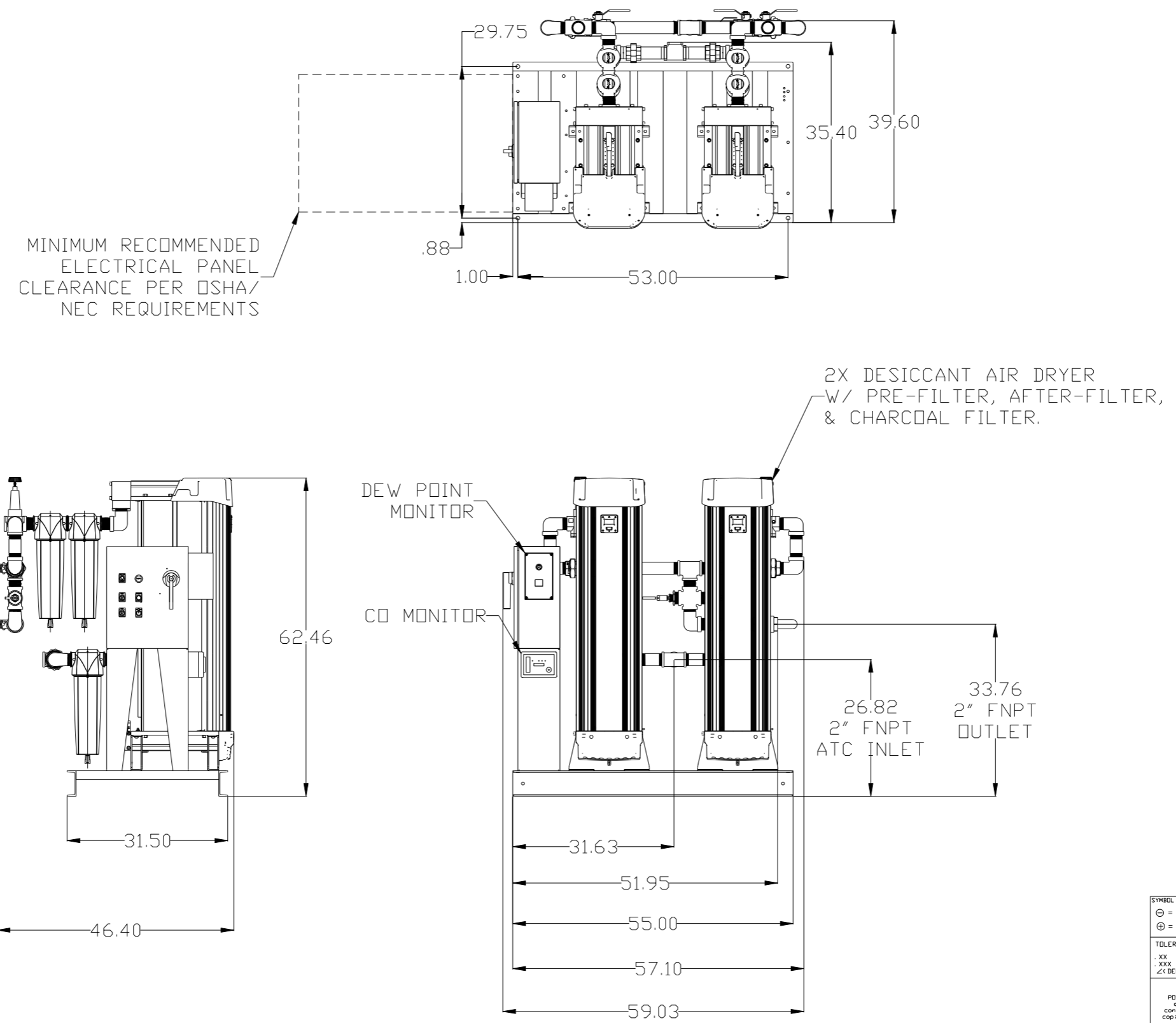
REV	ZONE	REVISION	DATE	ECN	NAME	CHKD
A-1	ALL	SUBMITTAL DRAWINGS	8/7/13	PHEC0052	RK	AEK
B-1	ALL	RELEASE FOR PRODUCTION	8/7/13	PHEC0052	RK	AEK



NOTES:
 1) ASME CERTIFIED VESSEL
 2) ALL DIMENSIONS ARE REFERENCE DIMENSIONS
 3) APPROXIMATE WT. - 880 LBS.

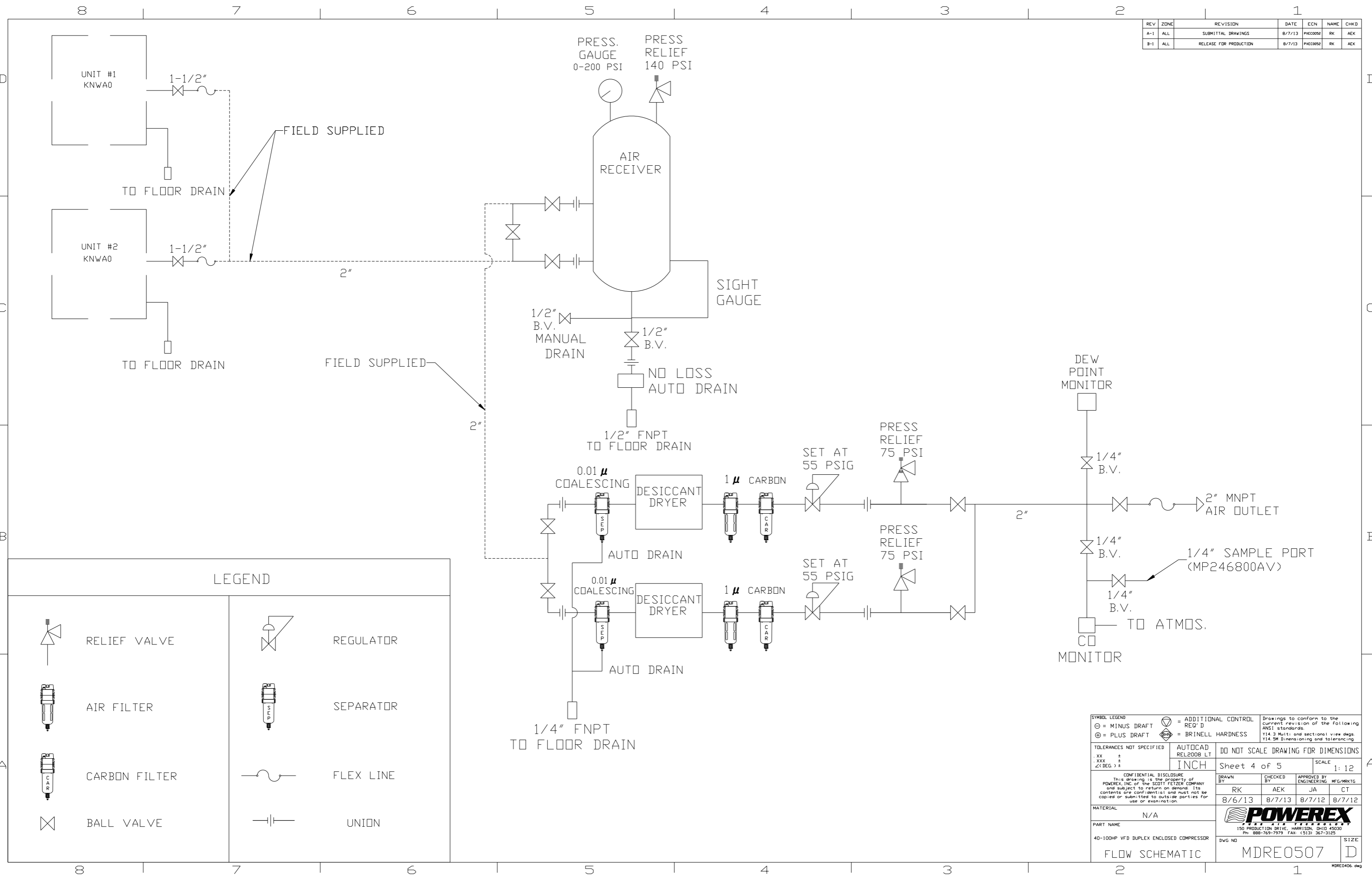
SYMBOL LEGEND ⊖ = MINUS DRAFT ⊕ = PLUS DRAFT .XX ± .XXX ± << DEG > ±		⊕ = ADDITIONAL CONTROL REQ'D ⊕ = BRINELL HARDNESS		Drawings to conform to the current revision of the following ANSI standards: Y14.9 Multi and sectional view dsgs. Y14.5M Dimensioning and tolerancing	
TOLERANCES NOT SPECIFIED AUTOCAD REL2008 LT INCH		DO NOT SCALE DRAWING FOR DIMENSIONS Sheet 2 of 5 SCALE 1:12		CONFIDENTIAL DISCLOSURE This drawing is the property of POWEREX, INC. of the SCOTT FITZGER COMPANY and subject to return on demand. Its contents are confidential and must not be copied or submitted to outside parties for use or examination.	
DRAWN BY: RK CHECKED BY: AEK 8/6/13		APPROVED BY: JA ENGINEERING: CT 8/7/12		MFG/MRKTG: CT 8/7/12	
MATERIAL: N/A		PART NAME: 40-100HP VFD DUPLEX ENCLOSED COMPRESSOR		DWG NO: MDRE0507 SIZE: D	
400 GALLON DUAL DESICCANT PACKAGE				150 PRODUCTION DRIVE, HARRISON, OHIO 45030 Ph: 888-769-7979 FAX: (513) 367-3125	

REV	ZONE	REVISION	DATE	ECN	NAME	CHKD
A-1	ALL	SUBMITTAL DRAWINGS	8/7/13	PKC0052	RK	AEK
B-1	ALL	RELEASE FOR PRODUCTION	8/7/13	PKC0052	RK	AEK



SYMBOL LEGEND ⊖ = MINUS DRAFT ⊕ = PLUS DRAFT ∅ = ADDITIONAL CONTROL REQ'D HRC = BRINELL HARDNESS		Drawings to conform to the current revision of the following ANSI standards: Y14.3 Multi and sectional view dwgs Y14.5M Dimensioning and tolerancing	
TOLERANCES NOT SPECIFIED .XX ± .XXX ± <DEG> ±		AUTOCAD REL2008 LT INCH DO NOT SCALE DRAWING FOR DIMENSIONS Sheet 3 of 5 SCALE 1:12	
CONFIDENTIAL DISCLOSURE This drawing is the property of POWEREX, INC. of the SCOTT FETZER COMPANY and subject to return on demand. Its contents are confidential and must not be copied or submitted to outside parties for use or examination.		DRAWN BY: RK CHECKED BY: AEK APPROVED BY: JA MFG/MKTG: CT 8/6/13 8/7/13 8/7/12 8/7/12	
MATERIAL: N/A		 150 PRODUCTION DRIVE, HARRISON, OHIO 45030 Ph: 888-769-7979 FAX: (513) 367-3125	
PART NAME: DRYER PACKAGE SKID		DWG NO: MDRE0507 SIZE: D	

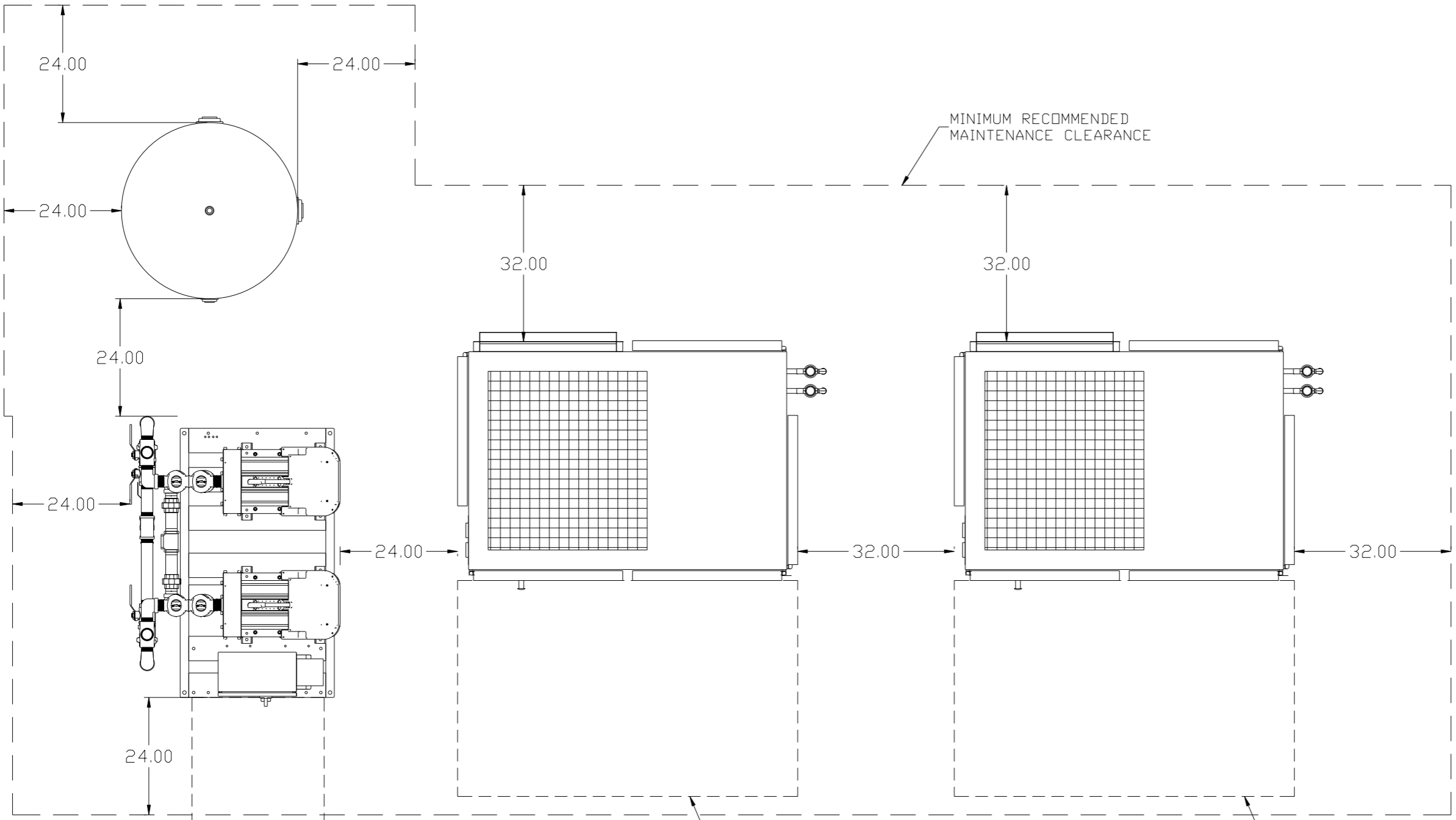
REV	ZONE	REVISION	DATE	ECN	NAME	CHKD
A-1	ALL	SUBMITTAL DRAWINGS	8/7/13	PKE005E	RK	AEK
B-1	ALL	RELEASE FOR PRODUCTION	8/7/13	PKE005E	RK	AEK



LEGEND	
	RELIEF VALVE
	AIR FILTER
	CARBON FILTER
	BALL VALVE
	REGULATOR
	SEPARATOR
	FLEX LINE
	UNION

SYMBOL LEGEND		DO NOT SCALE DRAWING FOR DIMENSIONS	
	= MINUS DRAFT	Sheet 4 of 5	
	= PLUS DRAFT	SCALE 1:12	
	= ADDITIONAL CONTROL REQ'D	DRAWN BY: RK	
	= BRINELL HARDNESS	CHECKED BY: AEK	
TOLERANCES NOT SPECIFIED		APPROVED BY: JA	
.XX ±	AUTOCAD REL2008 LT	MFG/MKTG: CT	
.XXX ±	INCH	8/6/13 8/7/13 8/7/12 8/7/12	
<<BEG >			
CONFIDENTIAL DISCLOSURE This drawing is the property of POWEREX, INC. of the SCOTT FEITZER COMPANY and subject to return on demand. Its contents are confidential and must not be copied or submitted to outside parties for use or examination.			
MATERIAL: N/A		 150 PRODUCTION DRIVE, HARRISON, OHIO 45030 PH: 888-769-7979 FAX: (513) 367-3125	
PART NAME: 40-100HP VFD DUPLEX ENCLOSED COMPRESSOR		Dwg NO: MDRE0507	
FLOW SCHEMATIC		SIZE: D	

REV	ZONE	REVISION	DATE	ECN	NAME	CHKD
A-1	ALL	SUBMITTAL DRAWINGS	8/7/13	PXEC0052	RK	AEK
B-1	ALL	RELEASE FOR PRODUCTION	8/7/13	PXEC0052	RK	AEK



MINIMUM RECOMMENDED ELECTRICAL PANEL CLEARANCE PER OSHA/ NEC REQUIREMENTS

MINIMUM RECOMMENDED ELECTRICAL PANEL CLEARANCE PER OSHA

MINIMUM RECOMMENDED ELECTRICAL PANEL CLEARANCE PER OSHA

MINIMUM RECOMMENDED MAINTENANCE CLEARANCE

SYMBOL LEGEND ⊖ = MINUS DRAFT ⊕ = PLUS DRAFT ⊕ = ADDITIONAL CONTROL REQ'D ⊕ = BRINELL HARDNESS		Drawings to conform to the current revision of the following ANSI standards: Y14.3 Multi and sectional view dsgs Y14.5M Dimensioning and tolerancing
TOLERANCES NOT SPECIFIED .XX ± .XXX ± ∠(DEG.) ±	AUTOCAD REL2008 LT INCH	DO NOT SCALE DRAWING FOR DIMENSIONS Sheet 5 of 5 SCALE 1:12
CONFIDENTIAL DISCLOSURE This drawing is the property of POWEREX, INC. of the SCOTT FETZER COMPANY and subject to return on demand. Its contents are confidential and must not be copied or submitted to outside parties for use or examination.		
MATERIAL N/A	PART NAME 40-100HP VFD DUPLEX ENCLOSED COMPRESSOR	POWEREX 150 PRODUCTION DRIVE, HARRISON, OHIO 45030 Ph: 888-769-7979, FAX: (513) 367-3125
INSTALLATION		DWG NO MDRE0507 SIZE D