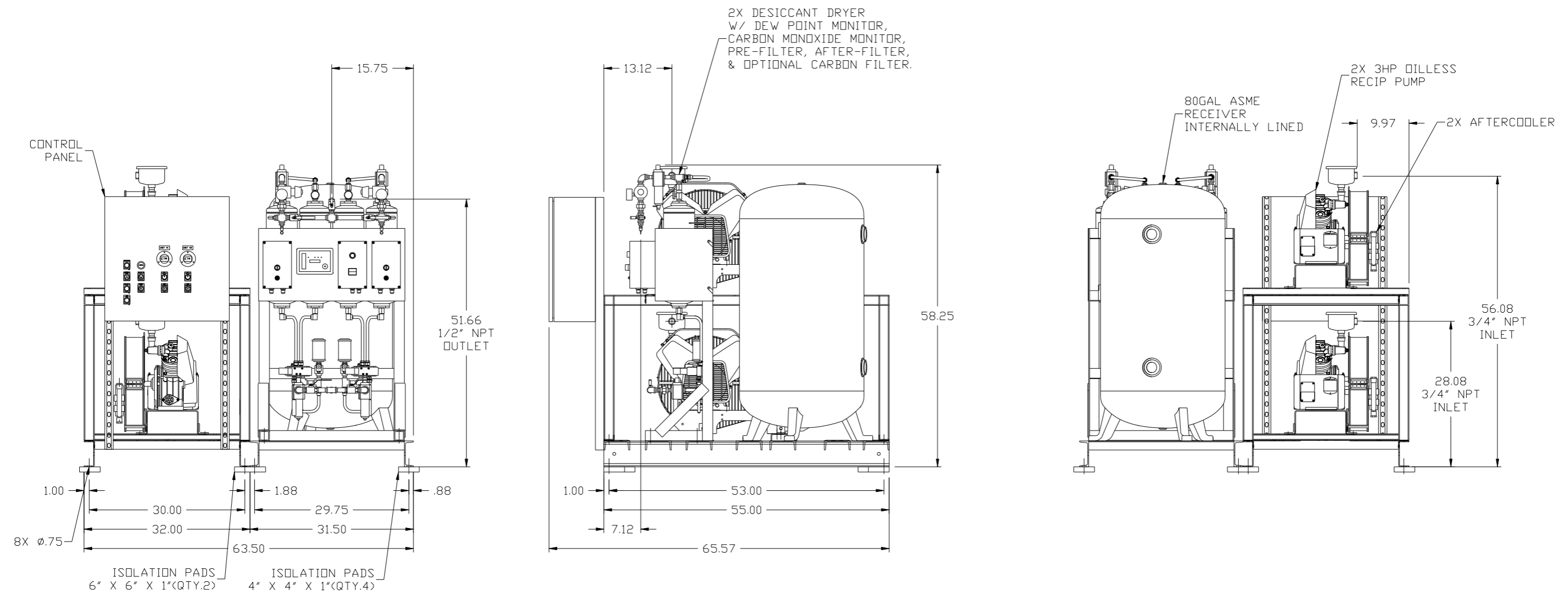


8 7 6 5 4 3 2 1

REV	ZONE	REVISION	DATE	ECN	NAME	CHKD
B-1	ALL	RELEASE TO PRODUCTION	08/08/06	21555	RSN	GES
C-1	2 C3	ADDED MANUAL DRAIN	06/25/07	21669	DMS	GES
D-1	2 B3, B5	ADDED ISO VALVE, HANG TAG, TANK GAUGE, 75PSI SVY	03/20/08	21907	DMS	GES
E-1	1 ALL	REMOVED (1) BASE SKID & RELOCATED PANEL AND DRYERS	9/24/09	22286	AEK	GES
F-1	1 ALL	UPDATED TO POWEXEX DRYER	11/11/09	22120	AEK	GES
G-1	1 ALL	UPDATED TO CURRENT FRAMES	11/30/10	22407	AEK	GES
H-1	ALL	ADDED PSMI SHEETS	9/14/11	22609	AEK	GES
J-1	2 D4	ADDED SNUBBER VALVE TO STANDARD FLOW	4/12/12	22734	AEK	GES
K-1	2 D4	REMOVE SNUBBER VALVE FROM STD FLOW	01/20/16	PKEC0133	MJD	AEK



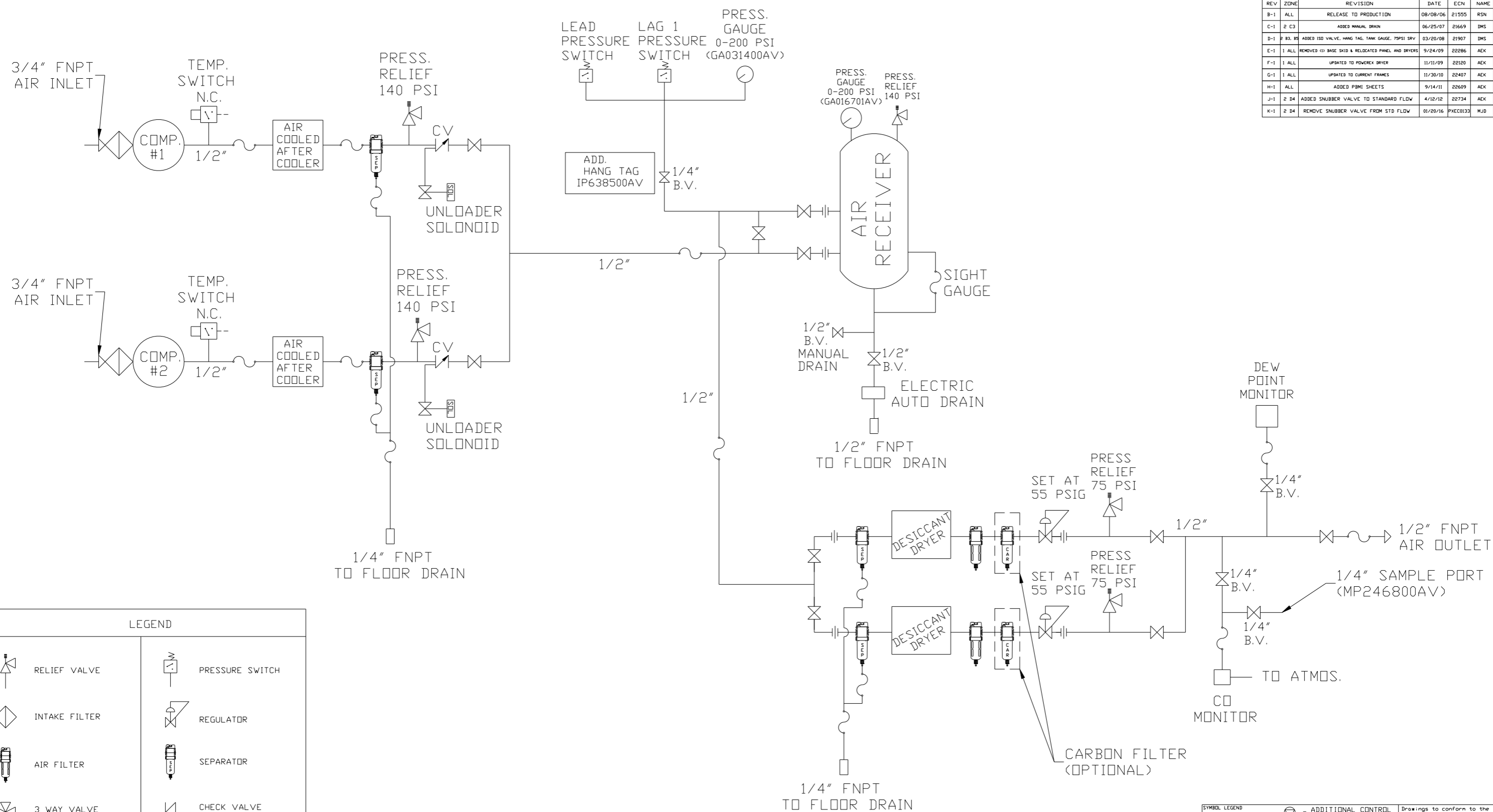
NOTE: A MINIMUM OF 24" CLEARANCE IS RECOMMENDED AROUND THE ENTIRE UNIT.

NOTE: SYSTEM DESIGNED IN COMPLIANCE WITH U.S. NFPA '99, LATEST EDITION.

SYMBOL LEGEND ⊖ = MINUS DRAFT ⊕ = PLUS DRAFT HRC = BRINELL HARDNESS		= ADDITIONAL CONTROL REQ'D = BRINELL HARDNESS		Drawings to conform to the current revision of the following ANSI standards: Y14.3 Multi- and sectional view dgs. Y14.5M Dimensioning and tolerancing	
TOLERANCES NOT SPECIFIED .XX ± .XXX ± <<DEG> ±		AUTOCAD REL2000 INCH		DO NOT SCALE DRAWING FOR DIMENSIONS Sheet 1 of 2 SCALE 1:10	
CONFIDENTIAL DISCLOSURE This drawing is the property of the CAMPBELL GROUP of the SCOTT FETZER COMPANY and subject to return on demand. Its contents are confidential and must not be copied or submitted to outside parties for use or examination.					
DRAWN BY RSN		CHECKED BY GES		APPROVED BY ENGINEERING MFG/MRKTG DMS JJ	
MATERIAL N/A		11/30/05		4/17/06 4/22/06 7/06/06	
PART NAME DUPLEX OILLESS 3HP, 80GAL. BASEMOUNT DUPLEX DESICCANT		DWG NO MPD0308		SIZE D	

8 7 6 5 4 3 2 1

REV	ZONE	REVISION	DATE	ECN	NAME	CHKD
B-1	ALL	RELEASE TO PRODUCTION	08/08/06	21555	RSN	GES
C-1	2 C3	ADDED MANUAL DRAIN	06/25/07	21669	DMS	GES
D-1	2 B3, B5	ADDED ISO VALVE, HANG TAG, TANK GAUGE, 75PSI SRV	03/20/08	21907	DMS	GES
E-1	1 ALL	REMOVED (1) BASE SKID & RELOCATED PANEL AND DRYERS	9/24/09	22286	AEK	GES
F-1	1 ALL	UPDATED TO POWEREX DRYER	11/11/09	22120	AEK	GES
G-1	1 ALL	UPDATED TO CURRENT FRAMES	11/30/10	22407	AEK	GES
H-1	ALL	ADDED PSMI SHEETS	9/14/11	22609	AEK	GES
J-1	2 D4	ADDED SNUBBER VALVE TO STANDARD FLOW	4/12/12	22734	AEK	GES
K-1	2 D4	REMOVE SNUBBER VALVE FROM STD FLOW	01/20/16	PKEC0133	MJD	AEK



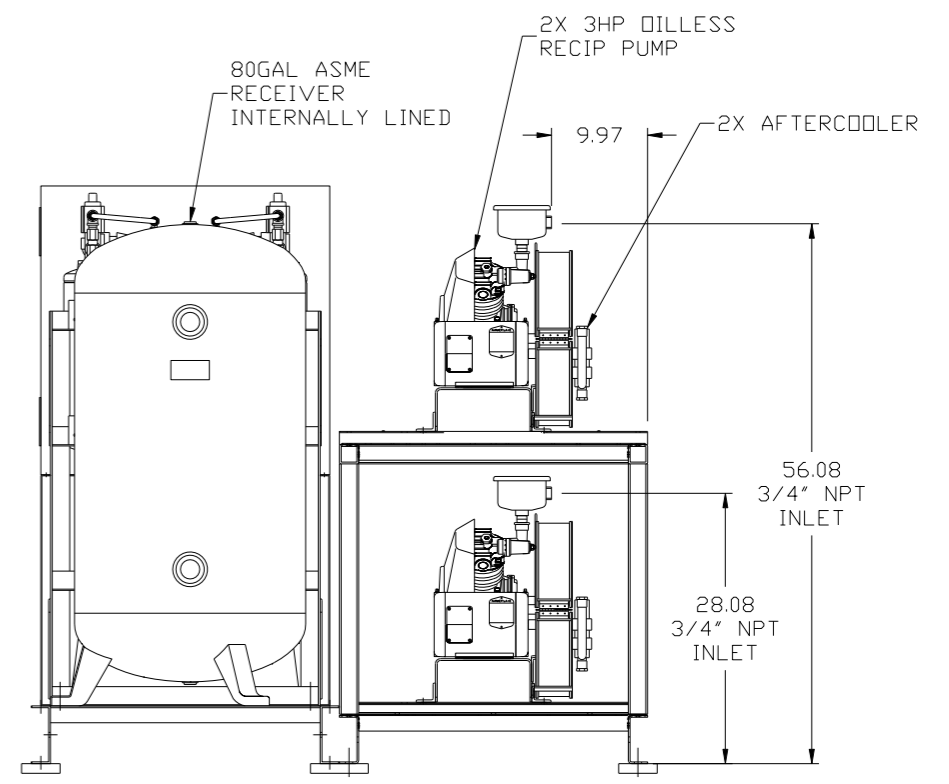
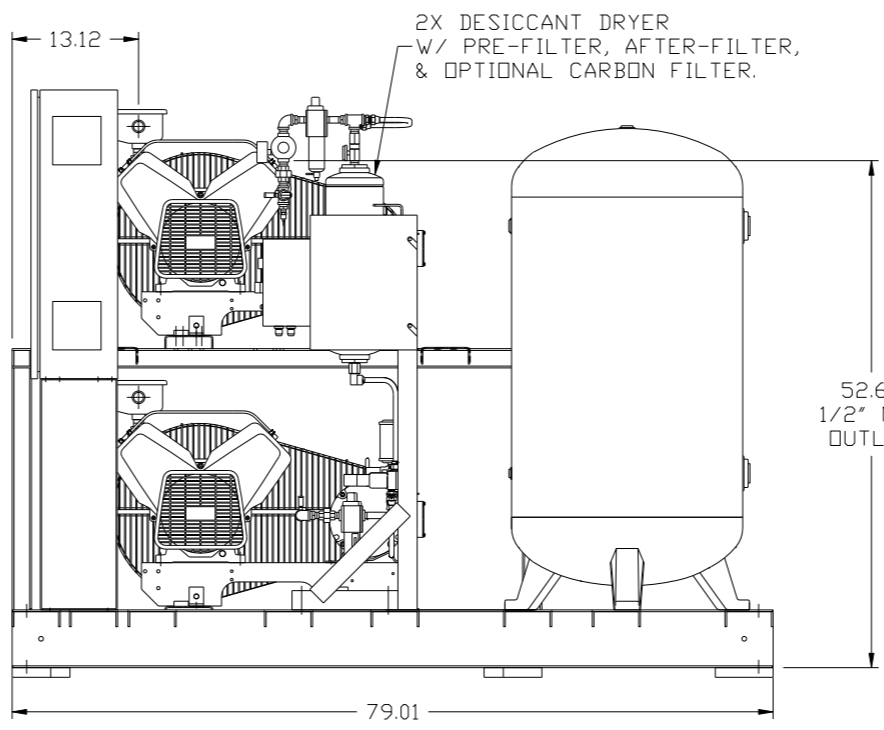
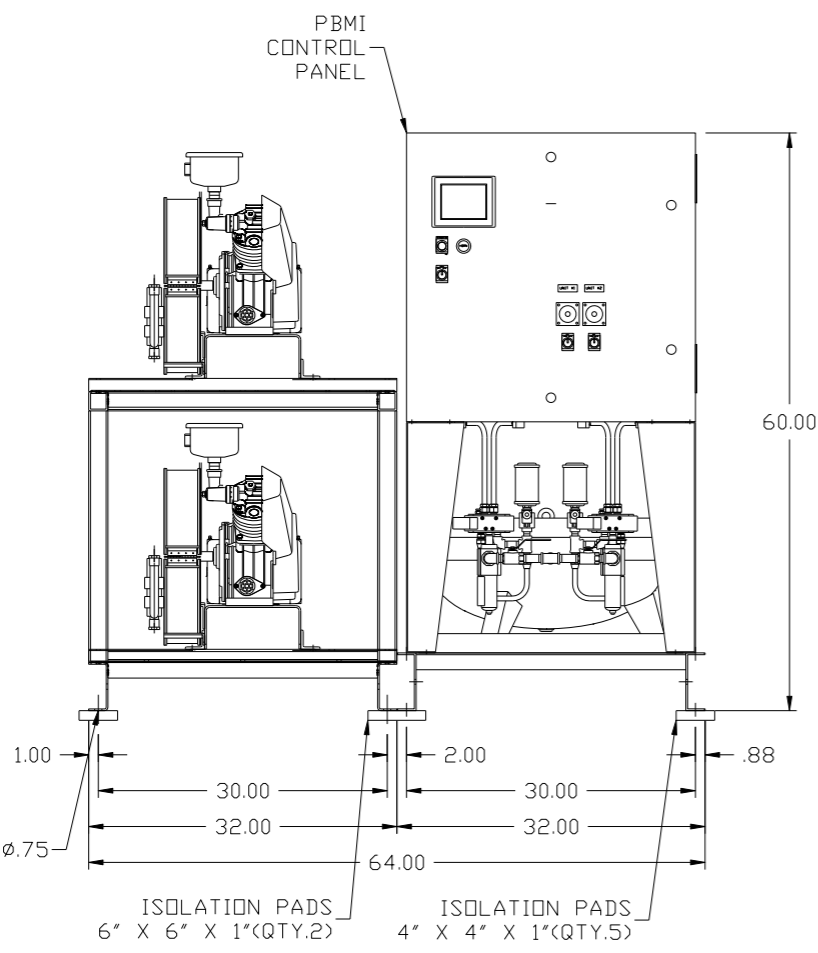
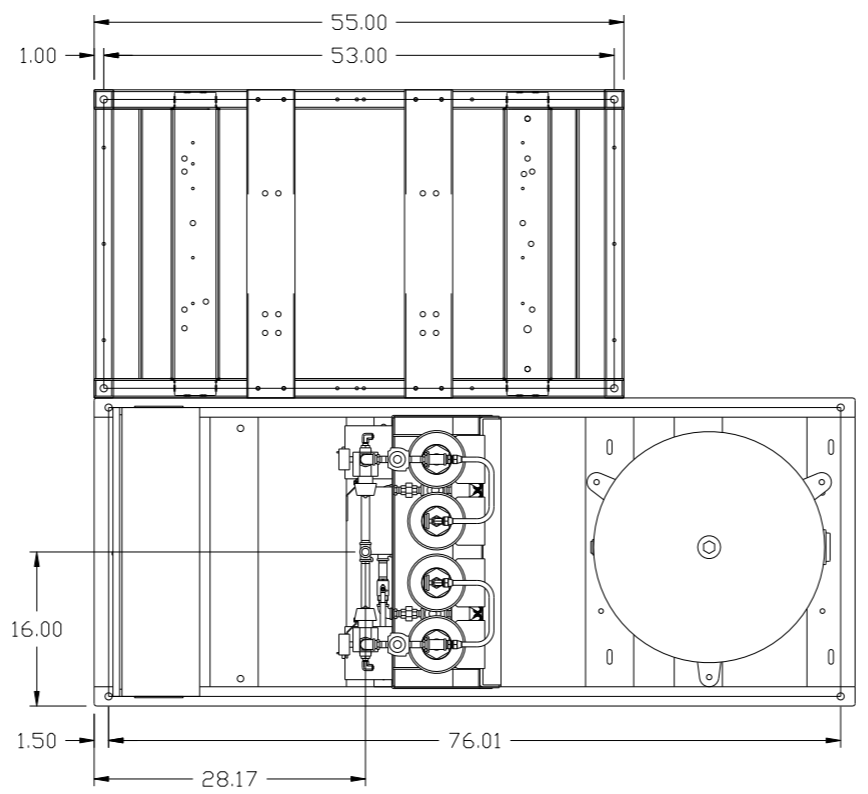
LEGEND	
	RELIEF VALVE
	INTAKE FILTER
	AIR FILTER
	3 WAY VALVE
	CARBON FILTER
	BALL VALVE
	SOLENOID VALVE
	PRESSURE SWITCH
	REGULATOR
	SEPARATOR
	CHECK VALVE
	FLEX LINE
	HIGH TEMP SWITCH
	UNION

NOTES:
 1) IF LAG 1 COMPRESSOR IS ENERGIZED ALARM WILL OCCUR.
 2) PIPING TO THE INLET BY OTHERS AND TO BE PER NFPA99
 3) INSTRUMENTS DOWN STREAM OF SOURCE VALVE TO BE SUPPLIED BY OTHERS.

SYMBOL LEGEND		= ADDITIONAL CONTROL REQ'D		Drawings to conform to the current revision of the following ANSI standards:	
= MINUS DRAFT		= BRINELL HARDNESS		Y14.3 Multi and sectional view dsgs. Y14.5M Dimensioning and tolerancing	
= PLUS DRAFT					
TOLERANCES NOT SPECIFIED		AUTOCAD REL2000:		DO NOT SCALE DRAWING FOR DIMENSIONS	
.XX ±		INCH		Sheet 2 of 2	
.XXX ±				SCALE 1:10	
<<DEG>> ±					
CONFIDENTIAL DISCLOSURE This drawing is the property of the CAMPBELL GROUP OF THE SCOTT FETZER COMPANY and subject to return on demand. Its contents are confidential and must not be copied or submitted to outside parties for use or examination.					
DRAWN BY		CHECKED BY		APPROVED BY	
RSN		GES		DMS JJ	
11/30/05		4/17/06		4/22/06 7/06/06	
MATERIAL N/A					
PART NAME 3HP, MED. PACKAGE FLOW SCHEMATIC					
DWG NO MPD0308				SIZE D	

8 7 6 5 4 3 2 1

REV	ZONE	REVISION	DATE	ECN	NAME	CHKD
H-1	ALL	ADDED PBMI SHEETS	9/14/11	22609	AEK	GES
J-1	2 D4	ADDED SNUBBER VALVE TO STANDARD FLOW	4/12/12	22734	AEK	GES
K-1	2 D4	REMOVE SNUBBER VALVE FROM STD FLOW	01/20/16	PXEC0133	MJD	AEK



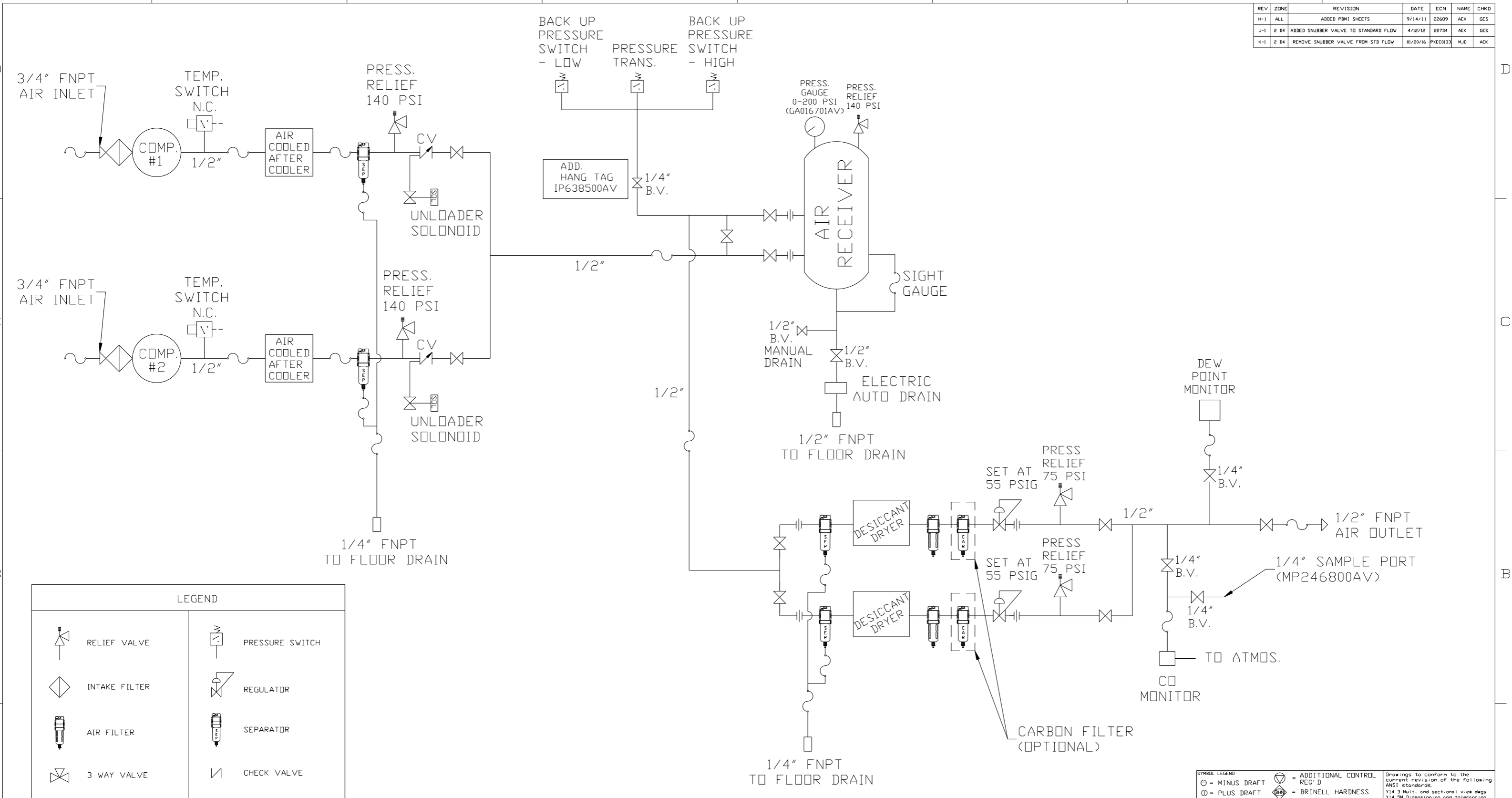
NOTE: A MINIMUM OF 24" CLEARANCE IS RECOMMENDED AROUND THE ENTIRE UNIT.

NOTE: SYSTEM DESIGNED IN COMPLIANCE WITH U.S. NFPA '99, LATEST EDITION.

SYMBOL LEGEND ⊖ = MINUS DRAFT ⊕ = PLUS DRAFT TOLERANCES NOT SPECIFIED .XX ± .XXX ± <DEG> ±		= ADDITIONAL CONTROL REQ'D = BRINELL HARDNESS		Drawings to conform to the current revision of the following ANSI standards: Y14.3 Multi and sectional view dsgs. Y14.5M Dimensioning and tolerancing	
AUTOCAD REL2008 LT INCH		DO NOT SCALE DRAWING FOR DIMENSIONS Sheet 1 of 2 SCALE 1:10		CONFIDENTIAL DISCLOSURE This drawing is the property of the CAMPBELL GROUP OF THE SCOTT FETZER COMPANY and subject to return on demand. Its contents are confidential and must not be copied or submitted to outside parties for use or examination.	
DRAWN BY: AEK CHECKED BY: GES 9/14/11		APPROVED BY: DMS, RJR 9/14/11, 9/14/11, 9/14/11		POWEREX 150 PRODUCTION DRIVE, HARRISON, OHIO 45030 Ph: 888-769-7979 FAX: (513) 367-3125	
MATERIAL: N/A PART NAME: DUPLEX DILLESS 3HP, 80GAL. BASEMOUNT DUPLEX DESICCANT		DWG NO: MPD0308		SIZE: D	

8 7 6 5 4 3 2 1

REV	ZONE	REVISION	DATE	ECN	NAME	CHKD
H-1	ALL	ADDED PBM1 SHEETS	9/14/11	22609	AEK	GES
J-1	2 D4	ADDED SNUBBER VALVE TO STANDARD FLOW	4/12/12	22734	AEK	GES
K-1	2 D4	REMOVE SNUBBER VALVE FROM STD FLOW	01/20/16	PXEC0133	MJD	AEK



LEGEND	
	RELIEF VALVE
	INTAKE FILTER
	AIR FILTER
	3 WAY VALVE
	CARBON FILTER
	BALL VALVE
	SOLENOID VALVE
	PRESSURE SWITCH
	REGULATOR
	SEPARATOR
	CHECK VALVE
	FLEX LINE
	HIGH TEMP SWITCH
	UNION

NOTES:
 1) IF LAG 1 COMPRESSOR IS ENERGIZED ALARM WILL OCCUR.
 2) PIPING TO THE INLET BY OTHERS AND TO BE PER NFPA99
 3) INSTRUMENTS DOWN STREAM OF SOURCE VALVE TO BE SUPPLIED BY OTHERS.

SYMBOL LEGEND			= ADDITIONAL CONTROL REQ'D		Drawings to conform to the current revision of the following ANSI standards: Y14.3 Multi and sectional view dgs. Y14.5M Dimensioning and tolerancing
	= MINUS DRAFT		= BRINELL HARDNESS		
TOLERANCES NOT SPECIFIED		AUTOCAD REL2008 LT	DO NOT SCALE DRAWING FOR DIMENSIONS		
.XX ±		INCH	Sheet 2 of 2	SCALE	1:10
CONFIDENTIAL DISCLOSURE This drawing is the property of the CAMPBELL GROUP OF THE SCOTT FETZER COMPANY and subject to return on demand. Its contents are confidential and must not be copied or submitted to outside parties for use or examination.					
DRAWN BY	CHECKED BY	ENGINEERING	APPROVED BY		
AEK	GES	DMS	RJR		
DATE	DATE	DATE	DATE		
9/14/11	9/14/11	9/14/11	9/14/11		
MATERIAL		N/A			
PART NAME		3HP, MED. PACKAGE FLOW SCHEMATIC			
DWG NO		MPD0308		SIZE D	