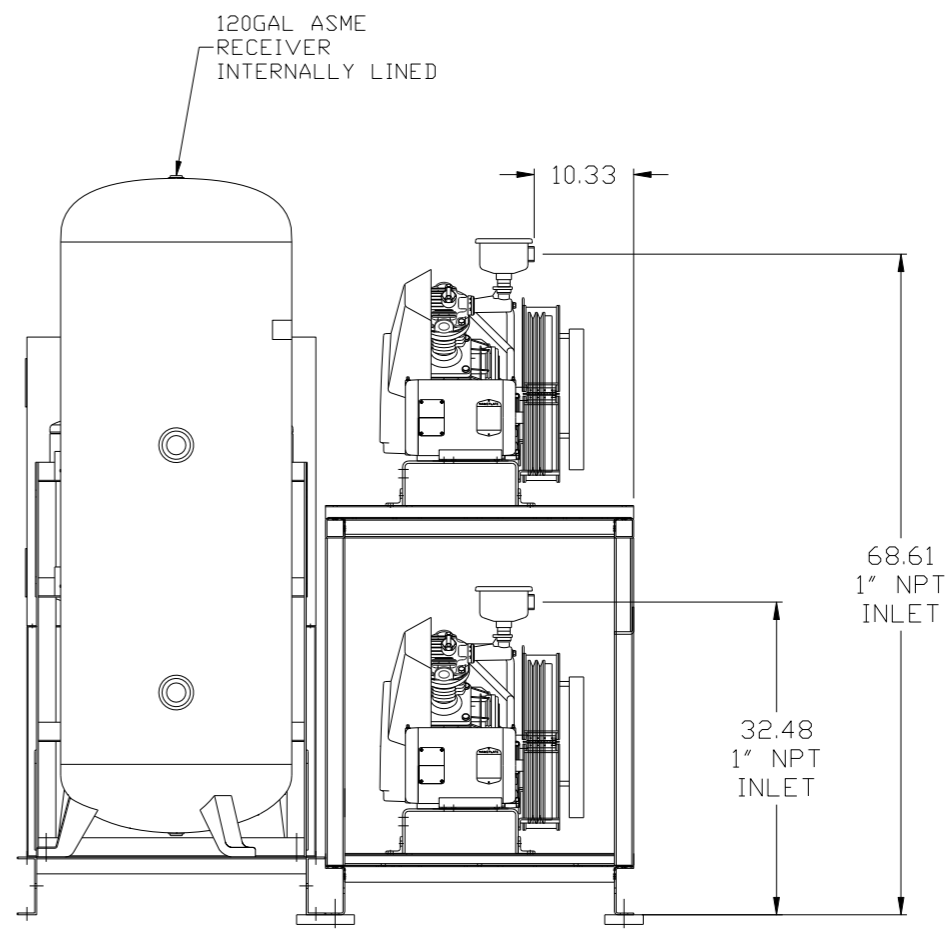
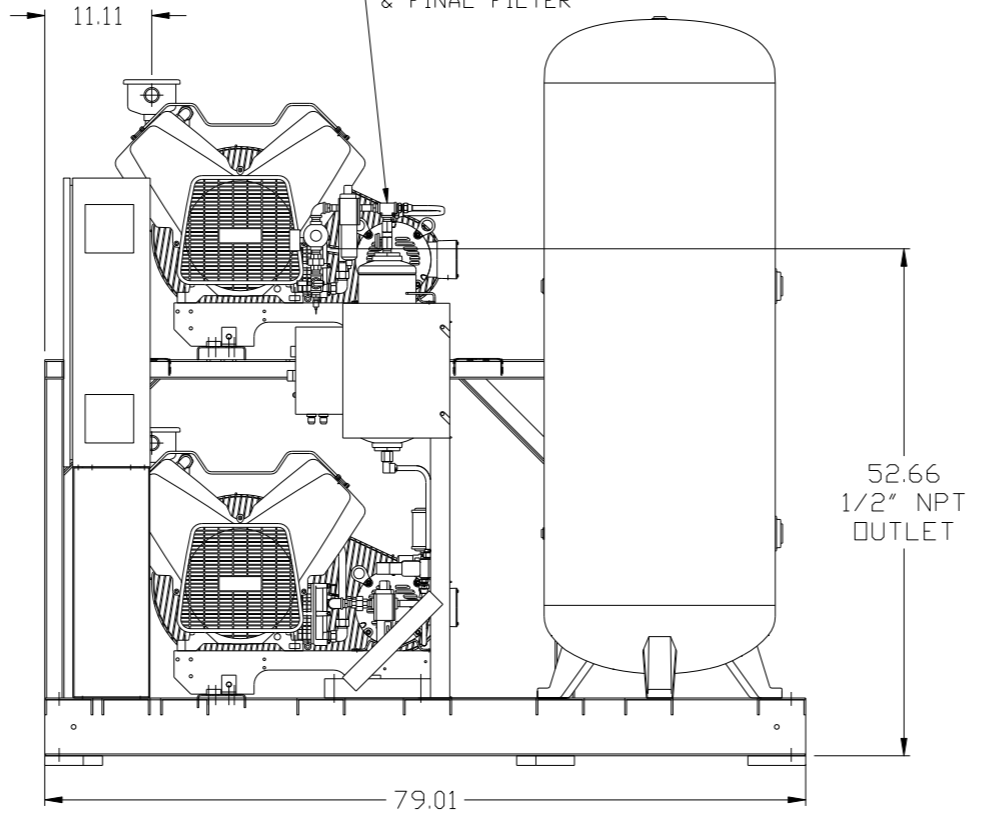
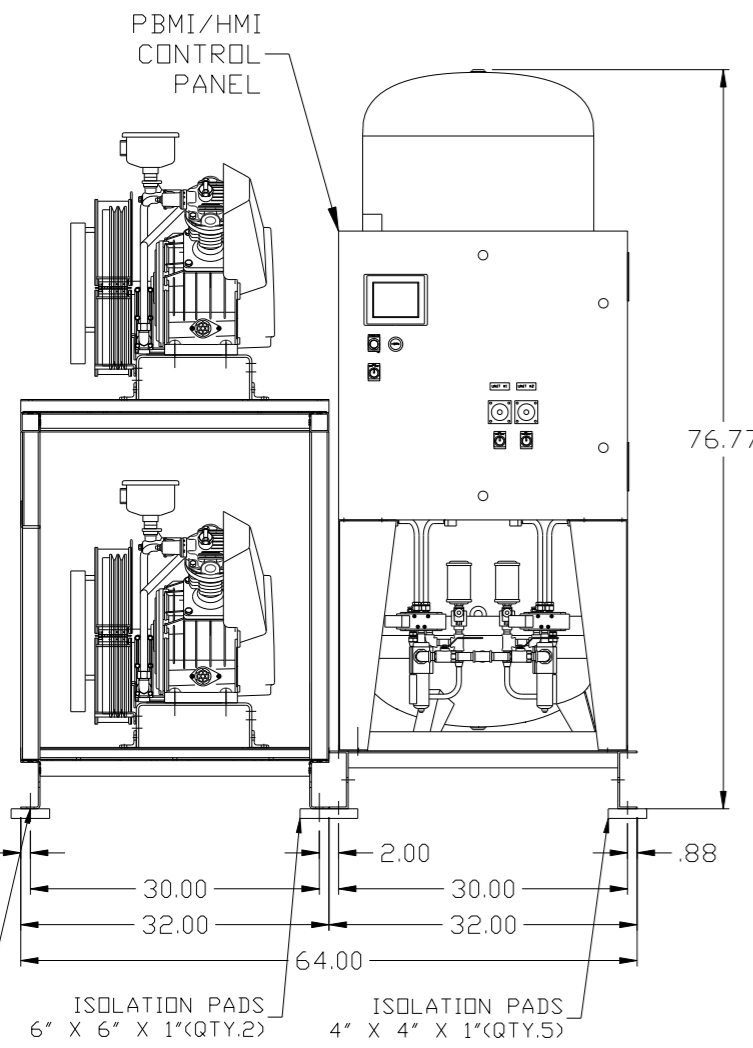
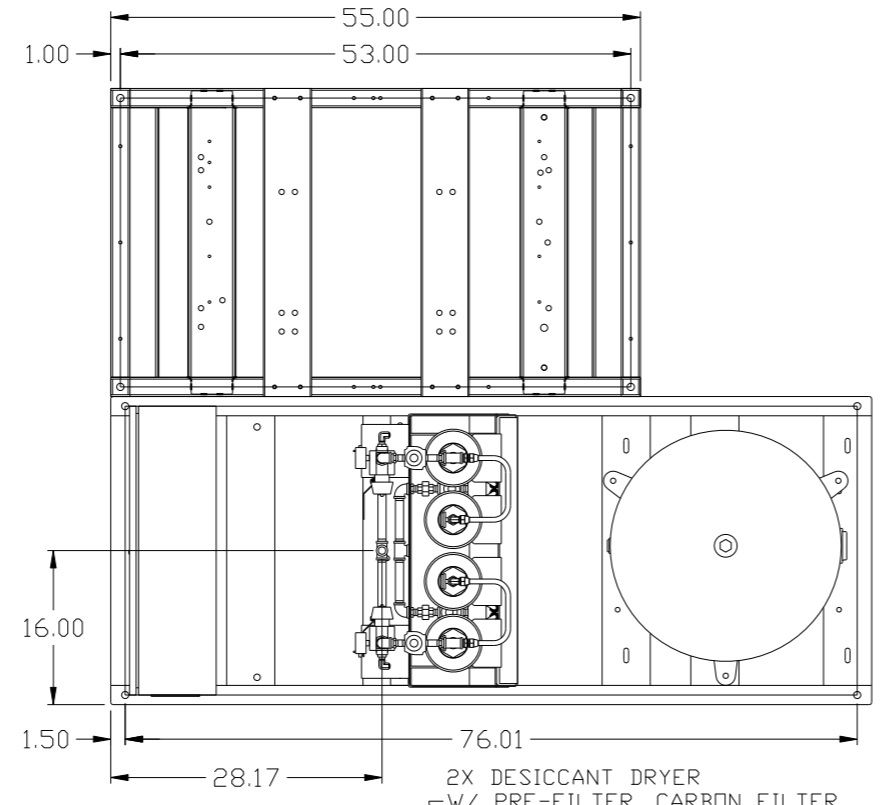


REV	ZONE	REVISION	DATE	ECN	NAME	CHKD
A-1	ALL	RELEASE FOR APPROVAL	1/14/14	PKC0066	AEK	GES



SYMBOL LEGEND

⊖ = MINUS DRAFT ⊕ = PLUS DRAFT ⊕ = ADDITIONAL CONTROL REQ'D ⊕ = BRINELL HARDNESS

TOLERANCES NOT SPECIFIED

.XX ± AUTOCAD REL2014 LT DO NOT SCALE DRAWING FOR DIMENSIONS

.XXX ± INCH Sheet 1 of 2 SCALE 1:10

\angle(DEG) ±

CONFIDENTIAL DISCLOSURE
 This drawing is the property of POWEREX, INC. of the SCOTT FEITZER COMPANY and subject to return on demand. Its contents are confidential and must not be copied or submitted to outside parties for use or examination.

DRAWN BY	CHECKED BY	APPROVED BY	ENGINEERING	MFG/MKTG
AEK	GES	DMS	NW	
1/14/14	1/14/14	1/14/14	1/14/14	1/14/14

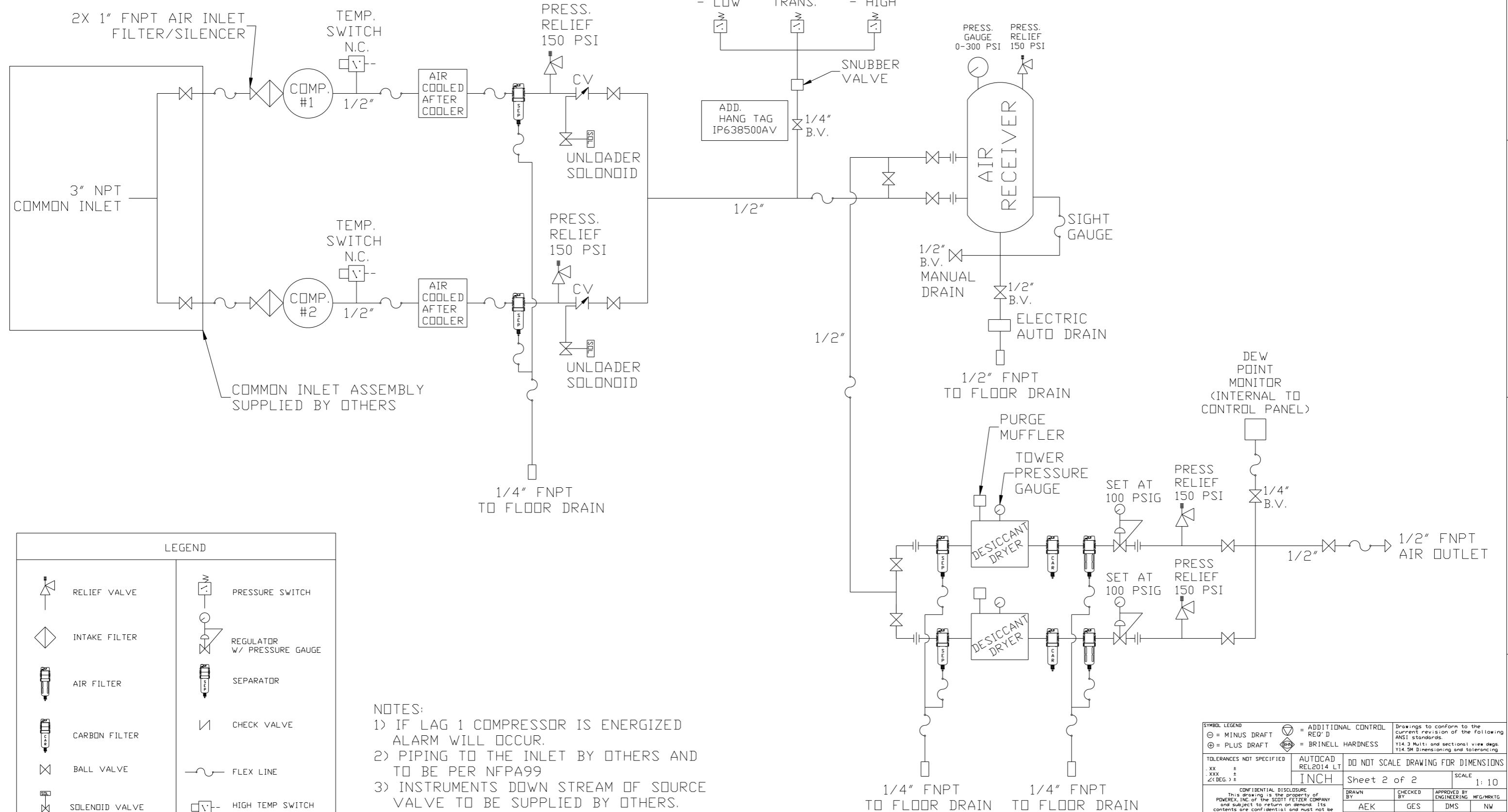
MATERIAL N/A

PART NAME
 DUPLEX DILLESS RECIP
 5HP 120 GAL BASEMOUNT
 DUPLEX DESICCANT

DWG NO MPD0508-F IHR **SIZE** D

POWEREX
 150 PRODUCTION DRIVE, HARRISON, OHIO 45030
 Ph: 888-769-7979 FAX: (513) 367-3125

REV	ZONE	REVISION	DATE	ECN	NAME	CHKD
A-1	ALL	RELEASE FOR APPROVAL	1/14/14	PKC0066	AEK	GES



COMMON INLET ASSEMBLY SUPPLIED BY OTHERS

LEGEND

	RELIEF VALVE		PRESSURE SWITCH
	INTAKE FILTER		REGULATOR W/ PRESSURE GAUGE
	AIR FILTER		SEPARATOR
	CARBON FILTER		CHECK VALVE
	BALL VALVE		FLEX LINE
	SOLENOID VALVE		HIGH TEMP SWITCH
	PRESSURE GAUGE		UNION

- NOTES:
- 1) IF LAG 1 COMPRESSOR IS ENERGIZED ALARM WILL OCCUR.
 - 2) PIPING TO THE INLET BY OTHERS AND TO BE PER NFPA99
 - 3) INSTRUMENTS DOWN STREAM OF SOURCE VALVE TO BE SUPPLIED BY OTHERS.
 - 4) DRYER PRE-FILTER & AFTER-FILTER ARE PROVIDED WITH DIFFERENTIAL PRESSURE INDICATOR.

SYMBOL LEGEND			ADDITIONAL CONTROL REQ'D	Drawings to conform to the current revision of the following ANSI standards	
	MINUS DRAFT		BRINELL HARDNESS	Y14.3 Multi and sectional view dgs. Y14.5M Dimensioning and tolerancing	
TOLERANCES NOT SPECIFIED		AUTOCAD REL2014 LT	DO NOT SCALE DRAWING FOR DIMENSIONS		SCALE
.XX ±		INCH	Sheet 2 of 2	1:10	
.XXX ±			DRAWN BY	CHECKED BY	APPROVED BY
<DEG> ±			AEK	GES	DMS NW
MATERIAL		N/A	1/14/14	1/14/14	1/14/14 1/14/14
PART NAME		DUPLEX DILLESS RECIP FLOW SCHEMATIC			SIZE
DWG NO		MPD0508-F IHR	150 PRODUCTION DRIVE, HARRISON, OHIO 45030 Ph 888-769-7979 FAX (513) 367-3125		D