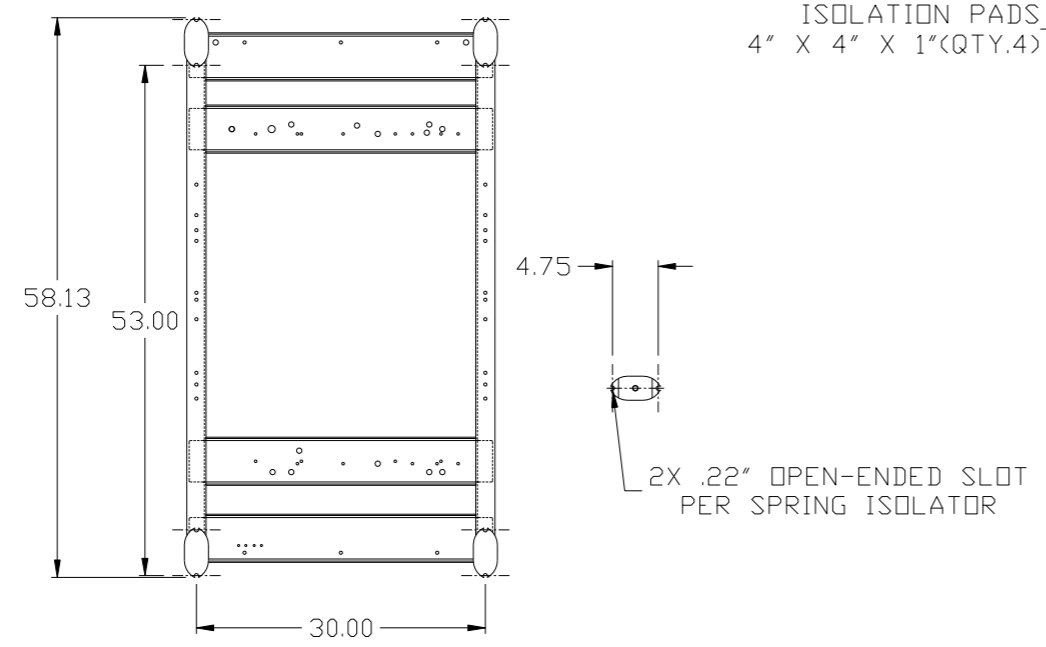
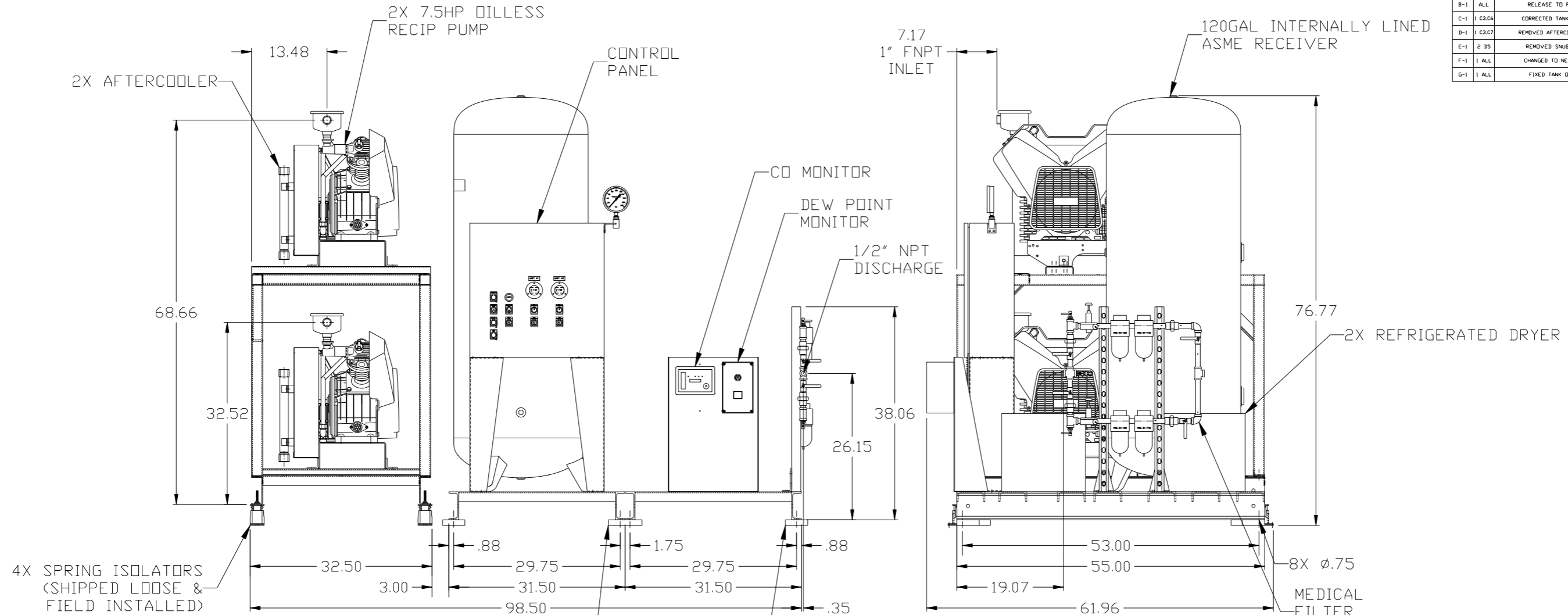


REV	ZONE	REVISION	DATE	ECN	NAME	CHKD
B-1	ALL	RELEASE TO PRODUCTION	11/30/10	22407	AEK	GES
C-1	C3.C6	CORRECTED TANK ORIENTATION	1/31/11	22545	AEK	GES
D-1	C3.C7	REMOVED AFTERCOOLER BRACKET	4/2/15	PXEC0093	MJD	GES
E-1	2 DS	REMOVED SNUBBER VALVE	01/20/16	PXEC0133	MJD	AEK
F-1	1 ALL	CHANGED TO NEW BG DESIGN	7/14/16	PXEC0132	AEK	GES
G-1	1 ALL	FIXED TANK ORIENTATION	6/27/17	PXEC0211	MJD	GES

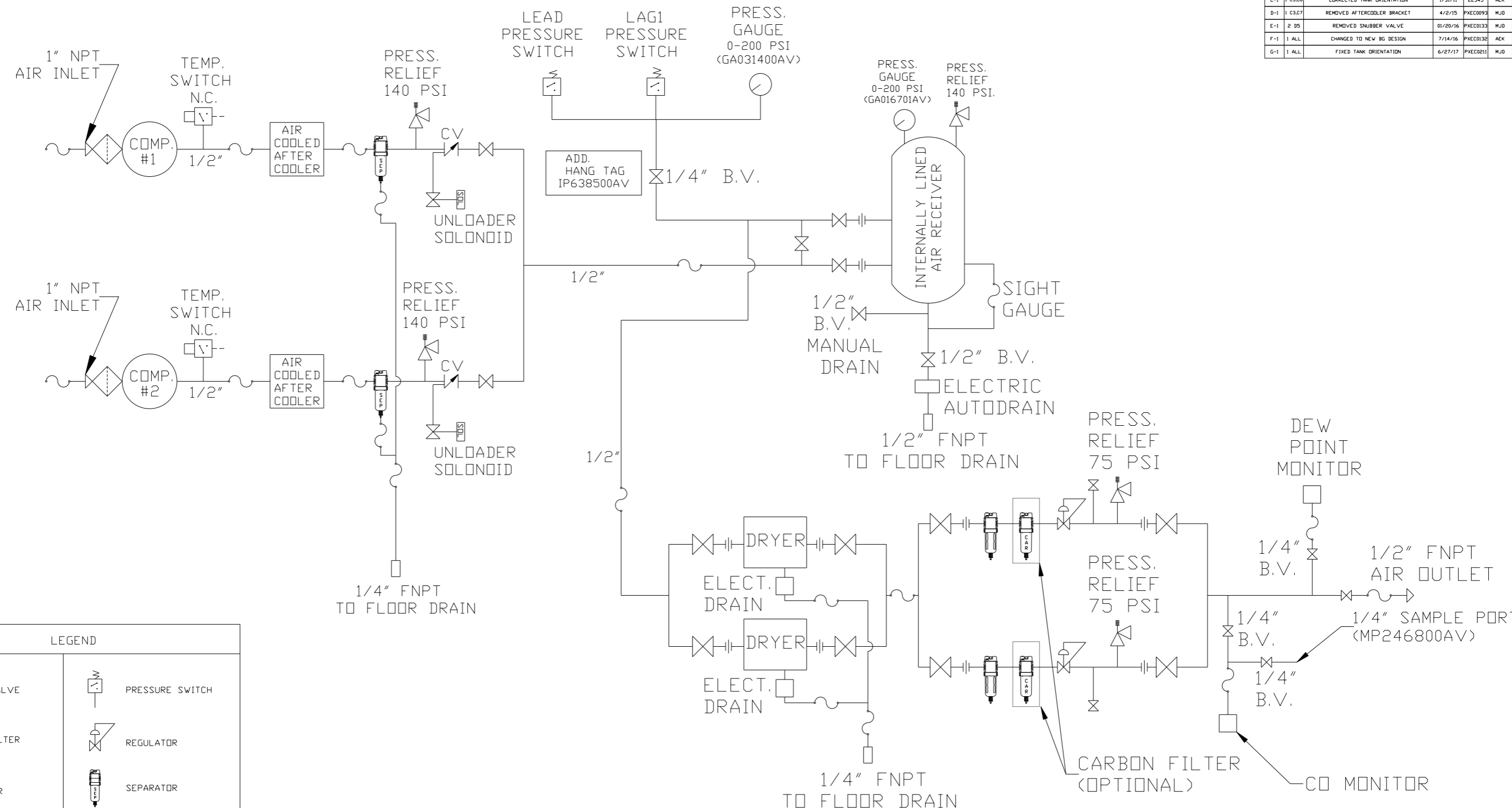


NOTE: A MINIMUM OF 24" CLEARANCE IS RECOMMENDED AROUND THE ENTIRE UNIT.

NOTE: SYSTEM DESIGNED IN COMPLIANCE WITH U.S. NFPQ '99, LATEST EDITION.

<b>SYMBOL LEGEND</b> ⊖ = MINUS DRAFT ⊕ = PLUS DRAFT HRC = BRINELL HARDNESS □ = ADDITIONAL CONTROL REQ'D □ = BRINELL HARDNESS		Drawings to conform to the current revision of the following ANSI standards: Y14.3 Multi and sectional view dgs. Y14.5M Dimensioning and tolerancing	
TOLERANCES NOT SPECIFIED .XX ± .XXX ± <math>\angle</math> (DEG) ±		AUTOCAD REL2008 LT <b>INCH</b> DO NOT SCALE DRAWING FOR DIMENSIONS Sheet 1 of 2 SCALE 1:10	
<b>CONFIDENTIAL DISCLOSURE</b> This drawing is the property of the POWEREX, INC of the SCOTT FETZER COMPANY and subject to return on demand. Its contents are confidential and must not be copied or submitted to outside parties for use or examination.		DRAWN BY: AEK CHECKED BY: GES APPROVED BY: DMS, RJR 11/30/10 11/30/10 11/30/10 11/30/10	
MATERIAL: N/A		<b>POWEREX</b> 150 PRODUCTION DRIVE, HARRISON, OHIO 45030 Ph: 888-769-7979 FAX: (513) 367-3125	
PART NAME: 7.5HP 120 GAL BASEMOUNT DUPLEX REFRIGERATED		DWG NO: MPD0608X4 SIZE: D	

REV	ZONE	REVISION	DATE	ECN	NAME	CHKD	
B-1	ALL	RELEASE TO PRODUCTION	11/30/10	22407	AEK	GES	
C-1	1	C3.C6	CORRECTED TANK ORIENTATION	1/31/11	22545	AEK	GES
D-1	1	C3.C7	REMOVED AFTERCOOLER BRACKET	4/2/15	PXEC093	MJD	GES
E-1	2	D5	REMOVED SNUBBER VALVE	01/20/16	PXEC0133	MJD	AEK
F-1	1	ALL	CHANGED TO NEW BG DESIGN	7/14/16	PXEC0132	AEK	GES
G-1	1	ALL	FIXED TANK ORIENTATION	6/27/17	PXEC0211	MJD	GES



LEGEND	
	RELIEF VALVE
	INTAKE FILTER
	AIR FILTER
	3 WAY VALVE
	CARBON FILTER
	BALL VALVE
	SOLENOID VALVE
	PRESSURE SWITCH
	REGULATOR
	SEPARATOR
	CHECK VALVE
	FLEX LINE
	HIGH TEMP SWITCH
	UNION

NOTES:  
 1) IF LAG 1 COMPRESSOR IS ENERGIZED ALARM WILL OCCUR.  
 2) PIPING TO THE INLET BY OTHERS AND TO BE PER NFPA99  
 3) INSTRUMENTS DOWN STREAM OF SOURCE VALVE TO BE SUPPLIED BY OTHERS.

SYMBOL LEGEND		= ADDITIONAL CONTROL REQ'D		Drawings to conform to the current revision of the following ANSI standards:	
= MINUS DRAFT		= BRINELL HARDNESS		Y14.3 Multi and sectional view dsgs. Y14.5M Dimensioning and tolerancing	
= PLUS DRAFT					
TOLERANCES NOT SPECIFIED		AUTOCAD REL2008 LT		DO NOT SCALE DRAWING FOR DIMENSIONS	
.XX ±		INCH		Sheet 2 of 2	
.XXX ±				SCALE 1:10	
<<DEG>> ±					
CONFIDENTIAL DISCLOSURE This drawing is the property of the POWEREX, INC of the SCOTT FETZER COMPANY and subject to return on demand. Its contents are confidential and must not be copied or submitted to outside parties for use or examination.					
DRAWN BY		CHECKED BY		APPROVED BY	
AEK		GES		DMS RJR	
11/30/10		11/30/10		11/30/10 11/30/10	
MATERIAL N/A					
PART NAME DUPLEX BILLESS RECIP MEDICAL PACKAGE FLOW SCHEMATIC				SIZE MPD0608X4 D	