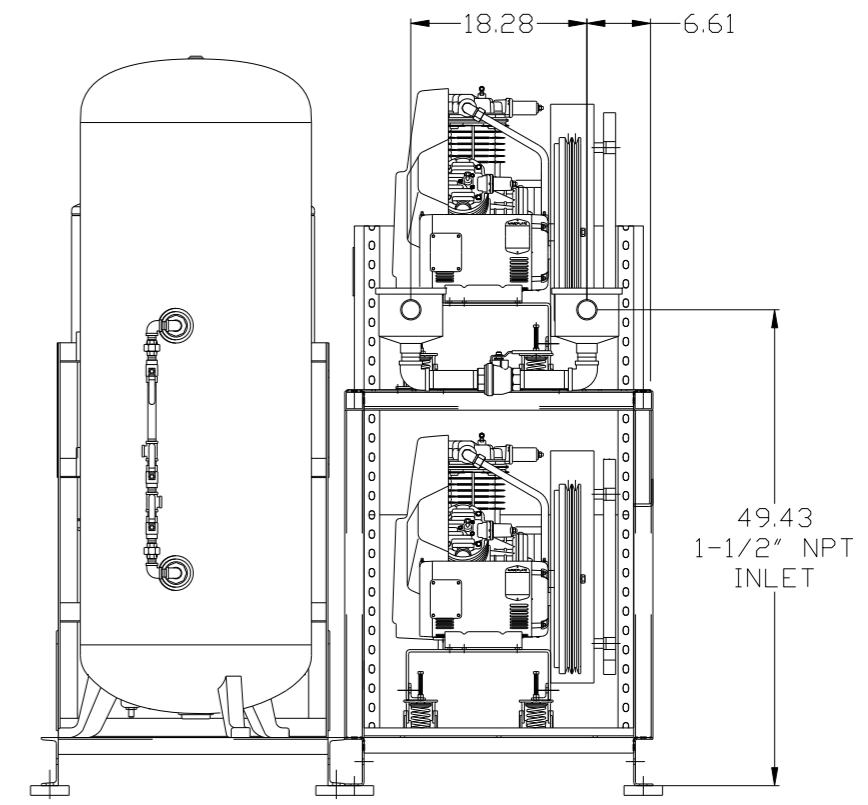
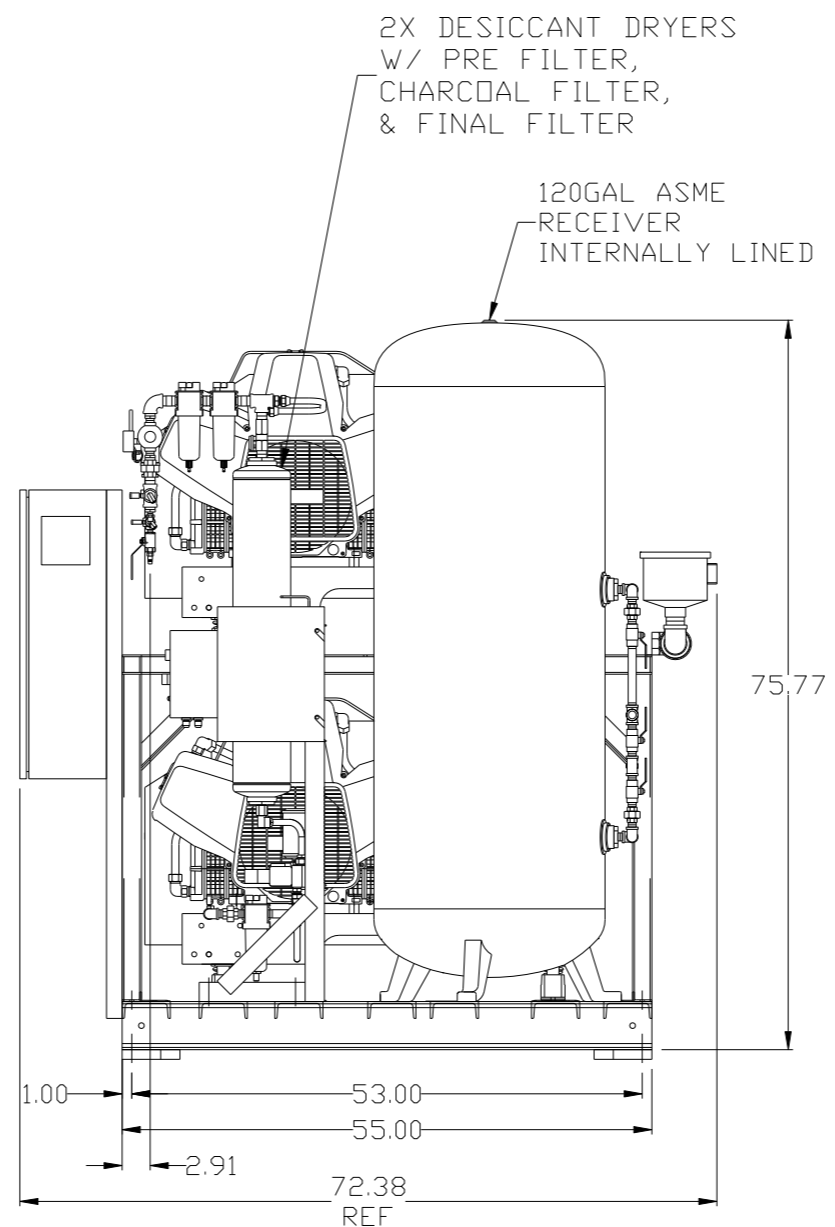
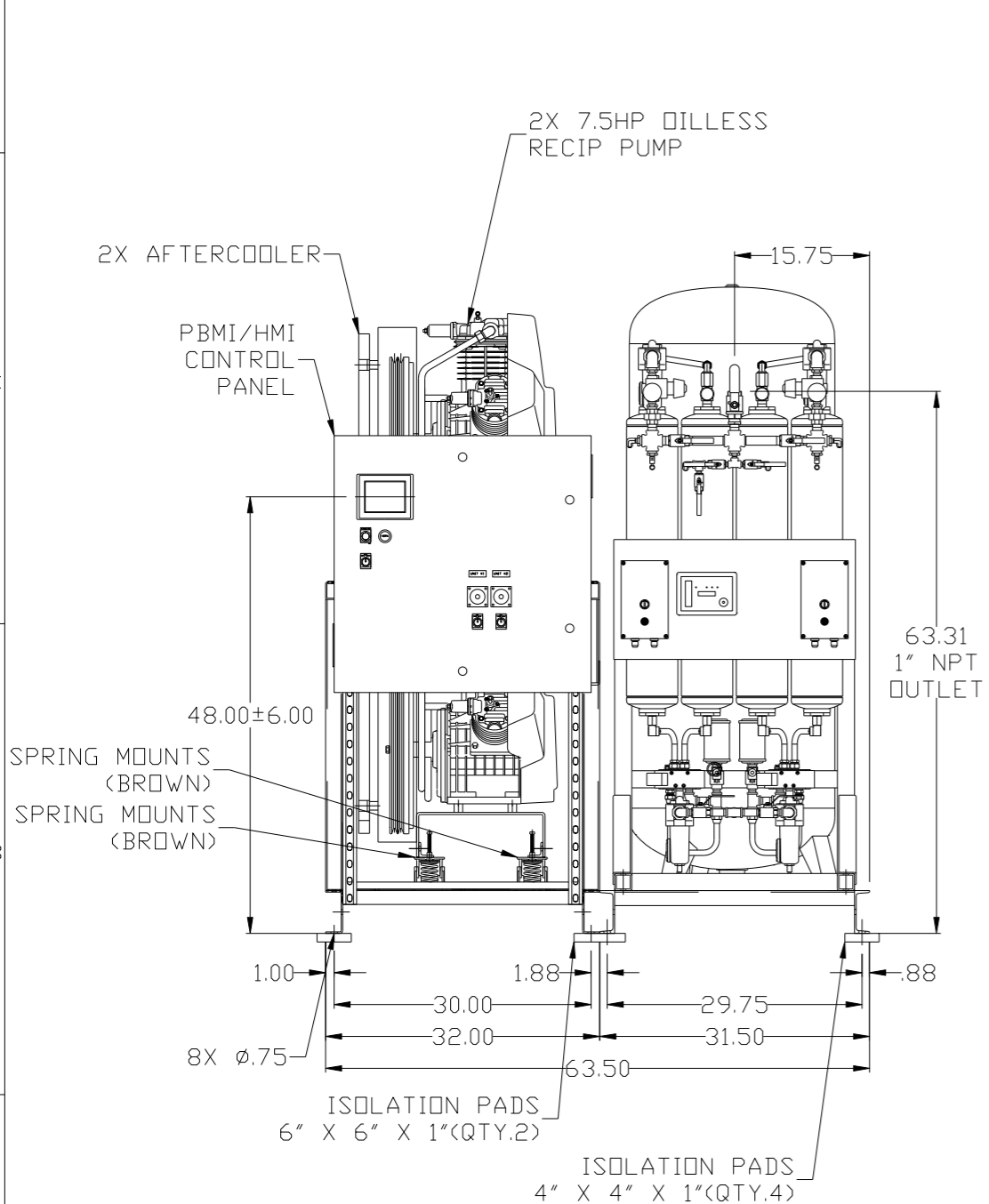


REV	ZONE	REVISION	DATE	ECN	NAME	CHKD
A-1	ALL	RELEASE FOR APPROVAL	1/28/14	PXC0066	AEK	GES

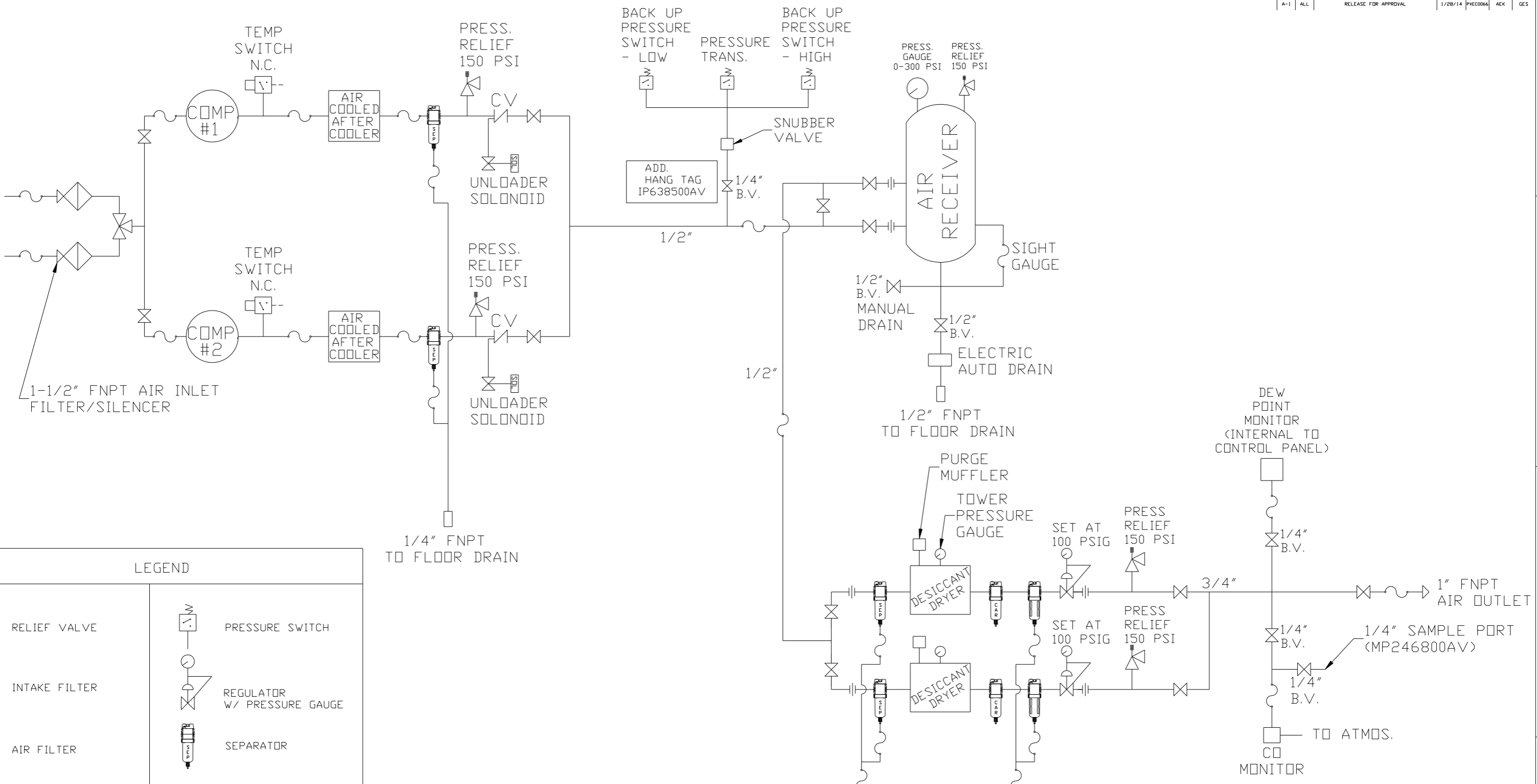


NOTE: A MINIMUM OF 24" CLEARANCE IS RECOMMENDED AROUND THE ENTIRE UNIT.

NOTE: SYSTEM DESIGNED IN COMPLIANCE WITH U.S. NFPA '99, LATEST EDITION.

<b>SYMBOL LEGEND</b> ⊖ = MINUS DRAFT ⊕ = PLUS DRAFT <math>\angle</math> (DEG) ±		= ADDITIONAL CONTROL REQ'D = BRINELL HARDNESS		Drawings to conform to the current revision of the following ANSI standards: Y14.3 Multi and sectional view dgs. Y14.5M Dimensioning and tolerancing	
TOLERANCES NOT SPECIFIED .XX ± .XXX ± <math>\angle</math> (DEG) ±		AUTOCAD REL2014 LT INCH		DO NOT SCALE DRAWING FOR DIMENSIONS Sheet 1 of 2 SCALE 1:10	
CONFIDENTIAL DISCLOSURE This drawing is the property of POWEREX, INC. of the SCOTT FELTZER COMPANY and subject to return on demand. Its contents are confidential and must not be copied or submitted to outside parties for use or examination.		DRAWN BY AEK		CHECKED BY GES	
MATERIAL N/A		APPROVED BY DMS 1/28/14		MFG/MKTG NW 1/28/14	
PART NAME 7.5HP OILLESS RECIP DUPLEX 120GAL DESICCANT		DRAWN BY AEK		APPROVED BY DMS 1/28/14	
DWG NO MPD0758-F IHR		SIZE D		150 PRODUCTION DRIVE, HARRISON, OHIO 45030 Ph 888-769-7979 FAX (513) 367-3125	

REV	ZONE	REVISION	DATE	ECN	NAME	CHKD
A-1	ALL	RELEASE FOR APPROVAL	1/28/14	PKC0066	AEK	GES



**LEGEND**

	RELIEF VALVE		PRESSURE SWITCH
	INTAKE FILTER		REGULATOR W/ PRESSURE GAUGE
	AIR FILTER		SEPARATOR
	CARBON FILTER		CHECK VALVE
	BALL VALVE		FLEX LINE
	SOLENOID VALVE		HIGH TEMP SWITCH
	PRESSURE GAUGE		UNION

- NOTES:**
- 1) IF LAG 1 COMPRESSOR IS ENERGIZED ALARM WILL OCCUR.
  - 2) PIPING TO THE INLET BY OTHERS AND TO BE PER NFPA99
  - 3) INSTRUMENTS DOWN STREAM OF SOURCE VALVE TO BE SUPPLIED BY OTHERS.
  - 4) DRYER PRE-FILTER & AFTER-FILTER ARE PROVIDED WITH DIFFERENTIAL PRESSURE INDICATOR.

<b>SYMBOL LEGEND</b> ⊖ = MINUS DRAFT    ⊕ = PLUS DRAFT ⊕ = ADDITIONAL CONTROL REQ'D ⊕ = BRINELL HARDNESS		Drawings to conform to the current revision of the following ANSI standards: Y14.3 Multi and sectional view dsgs. Y14.5M Dimensioning and tolerancing	
TOLERANCES NOT SPECIFIED .XX ± .XXX ± <math>\angle</math> DEG ±		DO NOT SCALE DRAWING FOR DIMENSIONS Sheet 2 of 2    SCALE 1:10	
<b>CONFIDENTIAL DISCLOSURE</b> This drawing is the property of POWEREX, INC. of the SCOTT FETZER COMPANY and subject to return on demand. Its contents are confidential and must not be copied or submitted to outside parties for use or examination.		DRAWN BY: AEK    CHECKED BY: GES    APPROVED BY: DMS    MFG/MKTG: NW 1/28/14    1/28/14    1/28/14    1/28/14	
MATERIAL: N/A		 150 PRODUCTION DRIVE, HARRISON, OHIO 45030 Ph: 888-769-7979    Fax: (513) 367-3125	
PART NAME: DUPLEX DILLESS RECIP PACKAGE		DWG NO: MPD0758-F IHR    SIZE: D	
FLOW CHEMATIC			