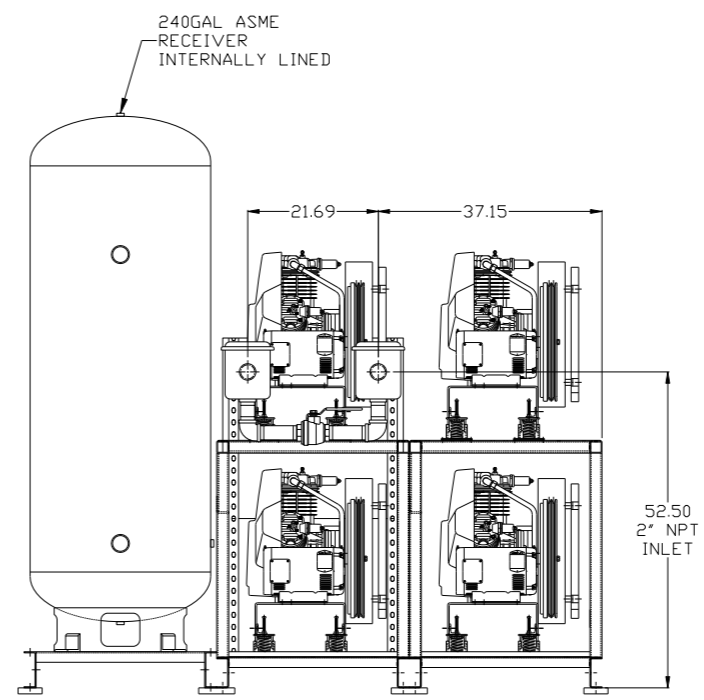
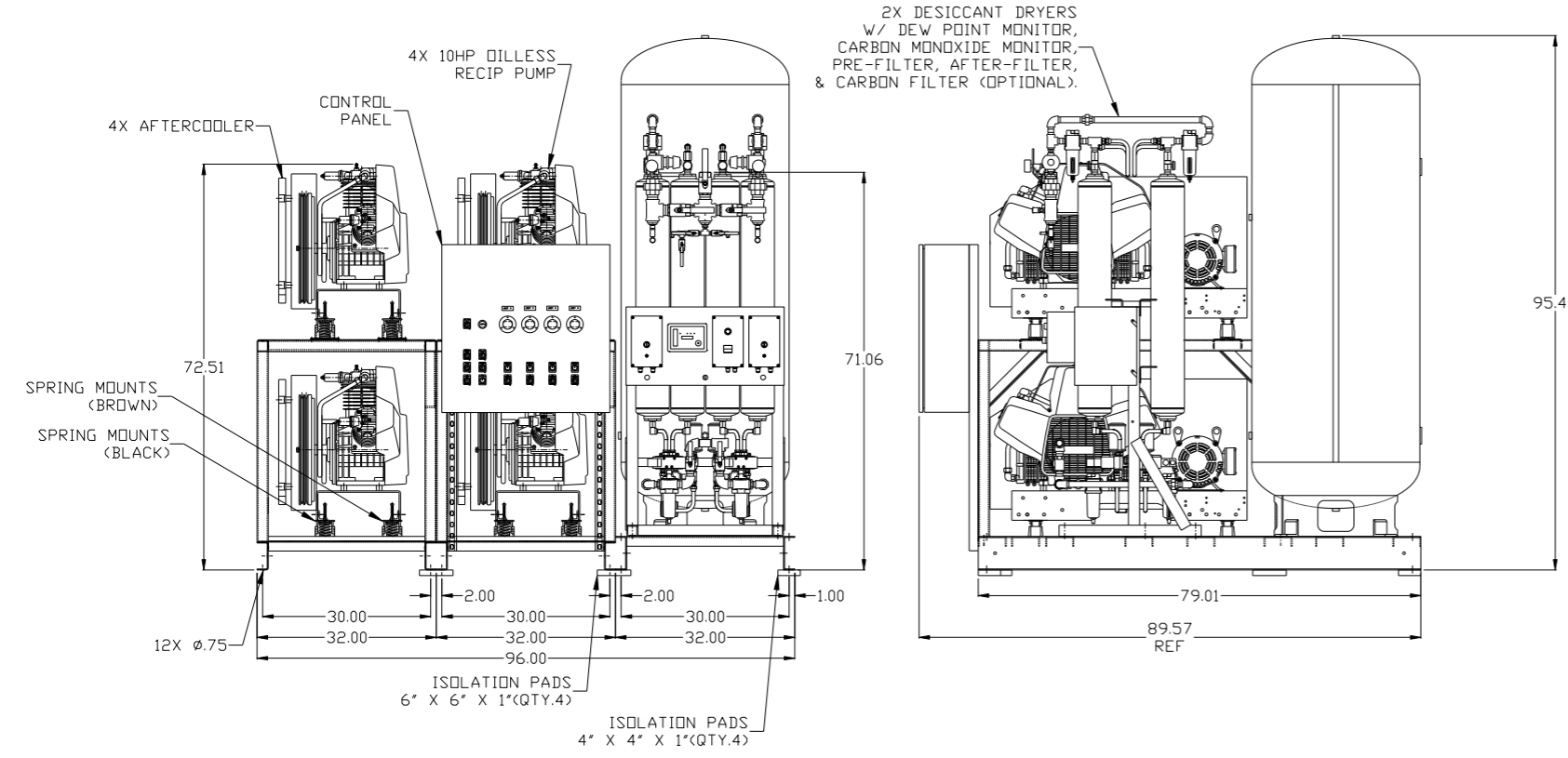
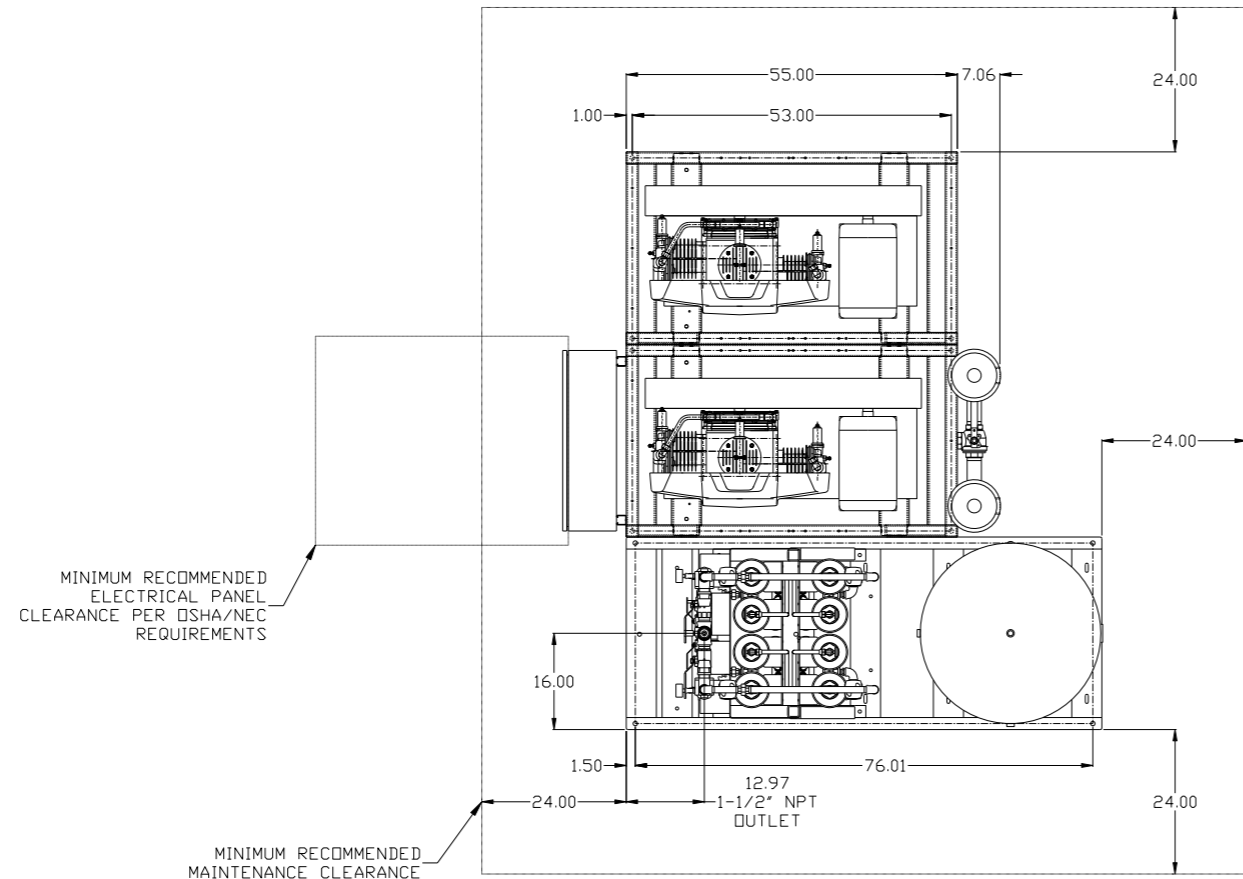


8 7 6 5 4 3 2 1

REV	ZONE	REVISION	DATE	ECN	NAME	CHKD
B-1	ALL	RELEASE TO PRODUCTION	08/15/06	21555	RSN	GES
K-1	ALL	ADDED P&MI SHEETS	9/23/11	22609	AEK	GES
L-1	2 ALL	UPDATED/ADDED FLEX HOSES	11/2/12	PKEC009	AEK	DMS
M-1	1 ALL	UPDATED DRYER OUTLET ORIENTATION	4/1/15	PKEC010	MJD	GES
N-1	2 DS	REMOVED SNUBBER VALVE	03/28/16	PKEC033	MJD	AEK

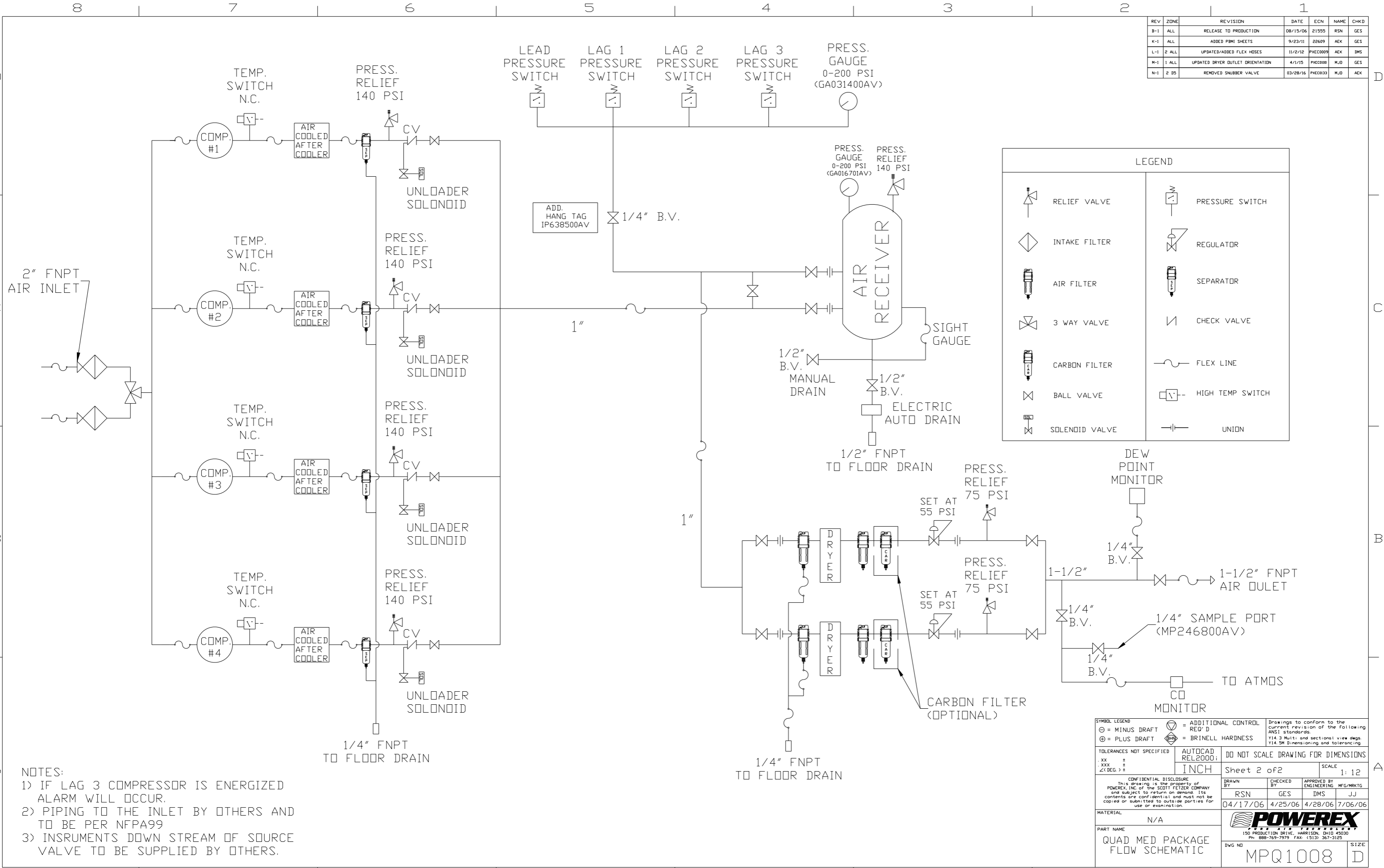


NOTE: SYSTEM DESIGNED IN COMPLIANCE WITH U.S. NFPA '99, LATEST EDITION.

SYMBOL LEGEND ⊖ = MINUS DRAFT ⊕ = PLUS DRAFT ⊕ = ADDITIONAL CONTROL REQ'D ⊕ = BRINELL HARDNESS		Drawings to conform to the current revision of the following ANSI standards: Y14.3 Multi- and sectional view dgs. Y14.5M Dimensioning and tolerancing	
TOLERANCES NOT SPECIFIED .XX ± .XXX ± \angle(DEG) ±		DO NOT SCALE DRAWING FOR DIMENSIONS AUTOCAD REL2000 INCH Sheet 1 of 2 SCALE 1:12	
CONFIDENTIAL DISCLOSURE This drawing is the property of POWEREX, INC. of the SCOTT FETZER COMPANY and subject to return on demand. Its contents are confidential and must not be copied or submitted to outside parties for use or examination.			
DRAWN BY: RSN CHECKED BY: GES APPROVED BY: DMS, JJ		04/17/06 4/25/06 4/28/06 7/06/06	
MATERIAL: N/A		 150 PRODUCTION DRIVE, HARRISON, OHIO 45030 Ph 888-769-7979 FAX (513) 367-3125	
PART NAME: QUADPLEX OILLESS RECIP. 10HP. 240GAL. BASEMOUNT DUPLEX DESICCANT		DWG NO: MPQ1008 SIZE: D	

8 7 6 5 4 3 2 1

REV	ZONE	REVISION	DATE	ECN	NAME	CHKD
B-1	ALL	RELEASE TO PRODUCTION	08/15/06	21555	RSN	GES
K-1	ALL	ADDED P&MI SHEETS	9/23/11	22609	AEK	GES
L-1	2 ALL	UPDATED/ADDED FLEX HOSES	11/2/12	P&EC009	AEK	DMS
M-1	1 ALL	UPDATED DRYER OUTLET ORIENTATION	4/1/15	P&EC010	MJD	GES
N-1	2 DS	REMOVED SMUBBER VALVE	03/28/16	P&EC013	MJD	AEK

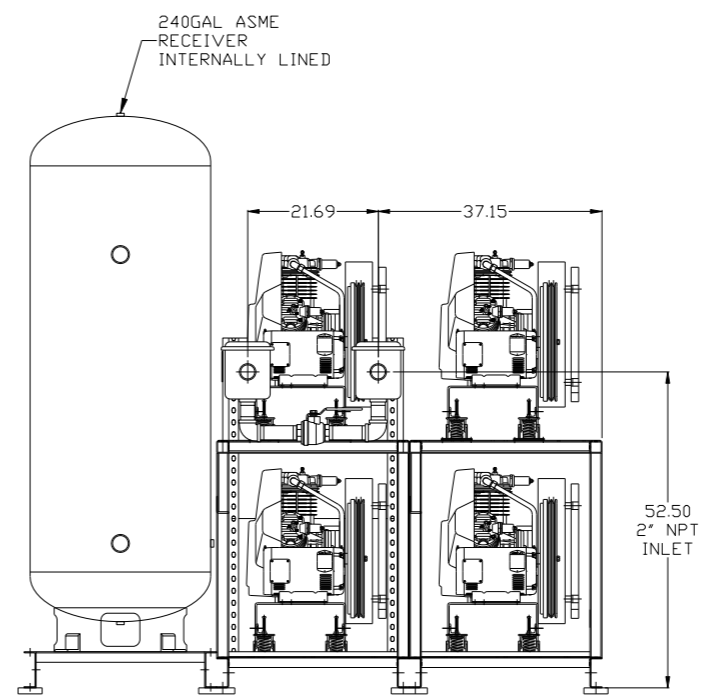
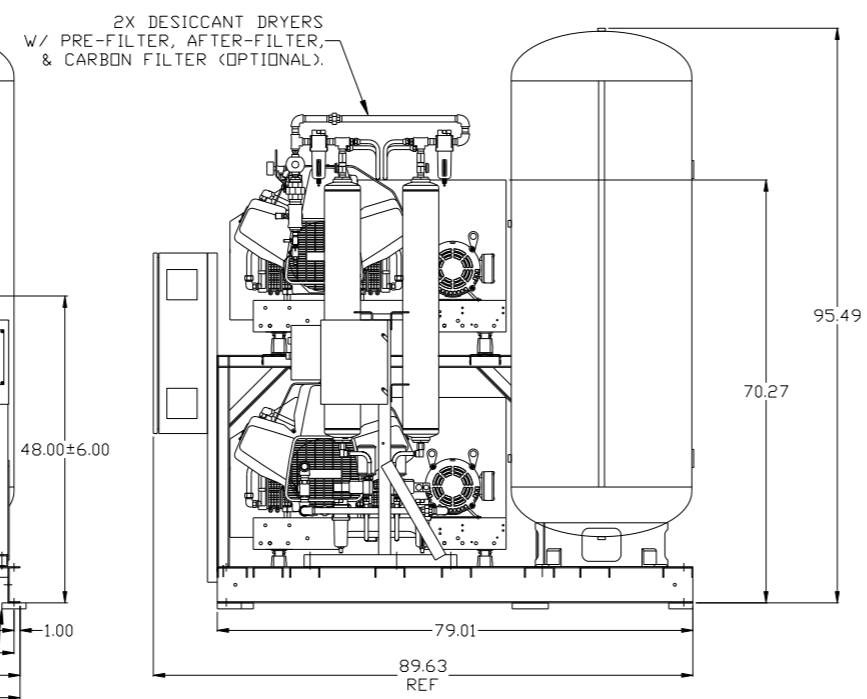
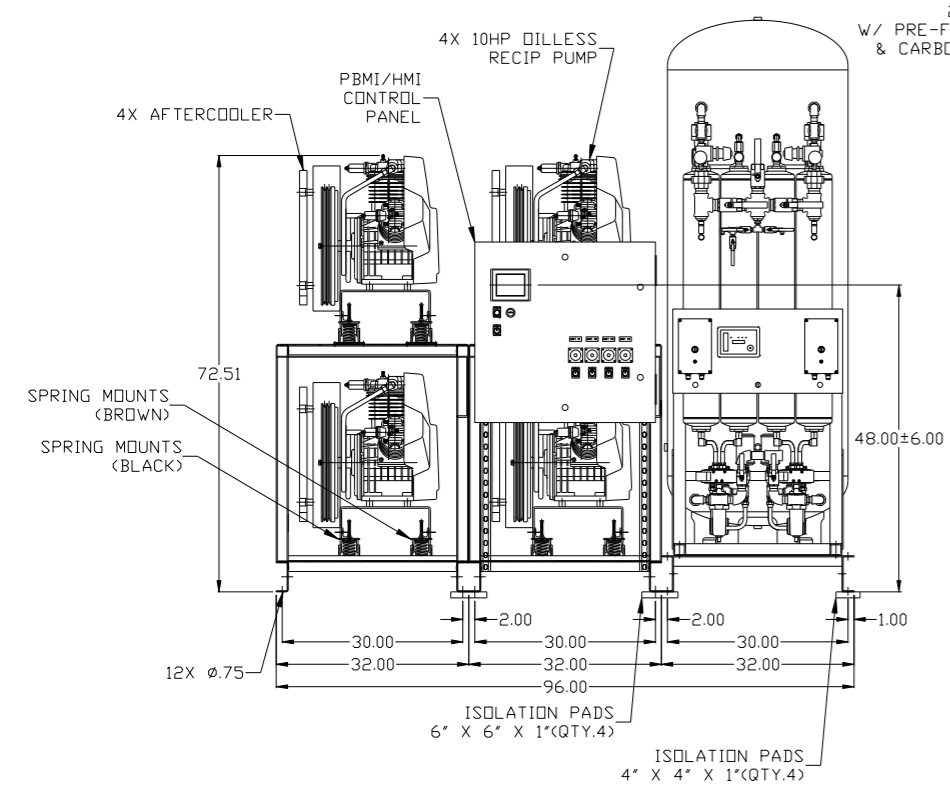
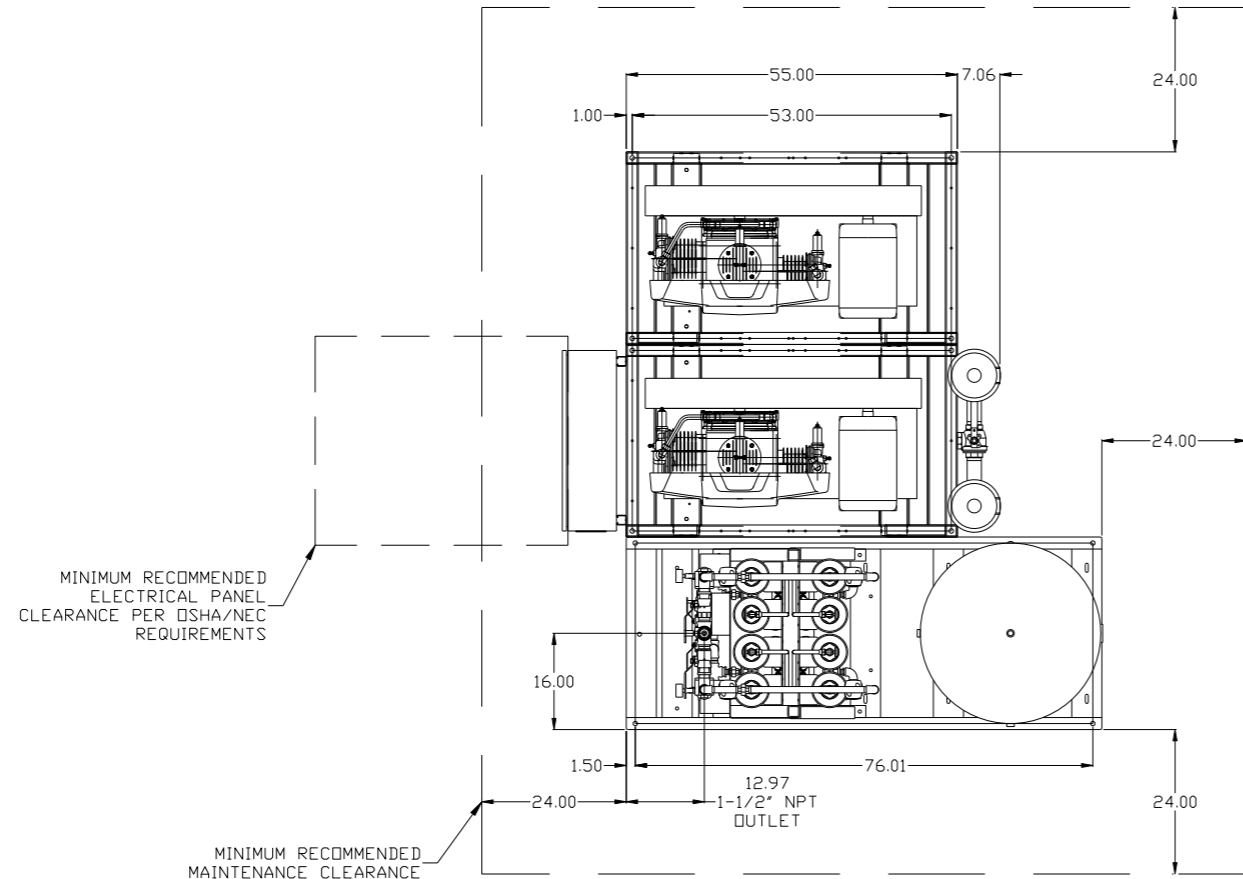


- NOTES:
- 1) IF LAG 3 COMPRESSOR IS ENERGIZED ALARM WILL OCCUR.
 - 2) PIPING TO THE INLET BY OTHERS AND TO BE PER NFPA99
 - 3) INSTRUMENTS DOWN STREAM OF SOURCE VALVE TO BE SUPPLIED BY OTHERS.

SYMBOL LEGEND ⊖ = MINUS DRAFT ⊕ = PLUS DRAFT .XX ± .XXX ± <X DEG. ± TOLERANCES NOT SPECIFIED: AUTOCAD REL2000; INCH		⊕ = ADDITIONAL CONTROL REQ'D BRINELL HARDNESS Drawings to conform to the current revision of the following ANSI standards: Y14.3 Multi and sectional view dsgs. Y14.5M Dimensioning and tolerancing	
DO NOT SCALE DRAWING FOR DIMENSIONS Sheet 2 of 2 SCALE: 1:12		CONFIDENTIAL DISCLOSURE This drawing is the property of POWEREX, INC. of the SCOTT FITZGER COMPANY and subject to return on demand. Its contents are confidential and must not be copied or submitted to outside parties for use or examination.	
DRAWN BY: RSN CHECKED BY: GES APPROVED BY: DMS MFG/MKTG: JJ 04/17/06 4/25/06 4/28/06 7/06/06		POWEREX 150 PRODUCTION DRIVE, HARRISON, OHIO 45030 Ph: 888-769-7979 Fax: (513) 367-3125	
MATERIAL: N/A PART NAME: QUAD MED PACKAGE FLOW SCHEMATIC		DWG NO: MPQ1008 SIZE: D	

8 7 6 5 4 3 2 1

REV	ZONE	REVISION	DATE	ECN	NAME	CHKD
K-1	ALL	ADDED PBMI SHEETS	9/23/11	22609	AEK	GES
L-1	2 ALL	UPDATED/ADDED FLEX HOSES	11/2/12	PKEC0009	AEK	DMS
M-1	1 ALL	UPDATED DRYER OUTLET ORIENTATION	4/1/15	PKEC0080	MJD	GES
N-1	2 DS	REMOVED SNUBBER VALVE	03/28/16	PKEC0133	MJD	AEK

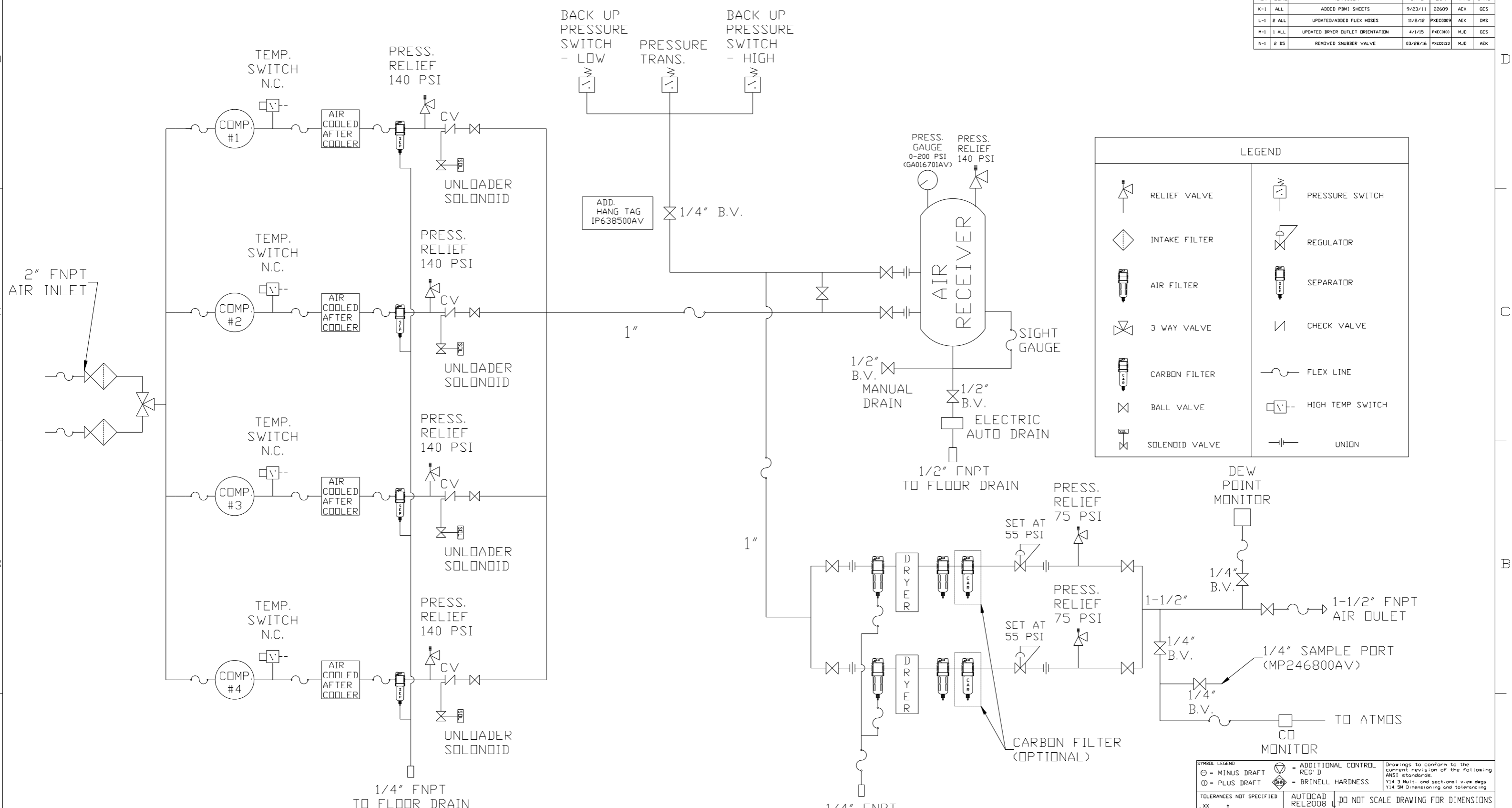


NOTE: SYSTEM DESIGNED IN COMPLIANCE WITH U.S. NFPA '99, LATEST EDITION.

SYMBOL LEGEND		= MINUS DRAFT		= PLUS DRAFT		= ADDITIONAL CONTROL REQ'D		= BRINELL HARDNESS		Drawings to conform to the current revision of the following ANSI standards: Y14.3 Multi and sectional view dgs. Y14.5M Dimensioning and tolerancing
TOLERANCES NOT SPECIFIED		.XX ±		.XXX ±		<<DEG> ±		AUTOCAD REL2008		DO NOT SCALE DRAWING FOR DIMENSIONS
CONFIDENTIAL DISCLOSURE This drawing is the property of POWEREX, INC. of the SCOTT FETZER COMPANY and subject to return on demand. Its contents are confidential and must not be copied or submitted to outside parties for use or examination.		DRAWN BY AEK		CHECKED BY GES		APPROVED BY ENGINEERING DMS		MFG/MKTG RJR		Sheet 1 of 2
MATERIAL N/A		9/23/11		9/23/11		9/23/11		9/23/11		SCALE 1:12
PART NAME QUADPLEX OILLESS RECIP. 10HP, 240GAL. BASEMOUNT DUPLEX DESICCANT		DWG NO MPQ1008		SIZE D		POWEREX 150 PRODUCTION DRIVE, HARRISON, OHIO 45030 Ph 888-769-7979 FAX (513) 367-3125				

8 7 6 5 4 3 2 1

REV	ZONE	REVISION	DATE	ECN	NAME	CHKD
K-1	ALL	ADDED PBM1 SHEETS	9/23/11	22609	AEK	GES
L-1	2 ALL	UPDATED/ADDED FLEX HOSES	11/2/12	PXEC0009	AEK	DMS
M-1	1 ALL	UPDATED DRYER OUTLET ORIENTATION	4/1/15	PXEC0000	MJD	GES
N-1	2 D5	REMOVED SMUBBER VALVE	03/28/16	PXEC0133	MJD	AEK



- NOTES:
- 1) IF LAG 3 COMPRESSOR IS ENERGIZED ALARM WILL OCCUR.
 - 2) PIPING TO THE INLET BY OTHERS AND TO BE PER NFPA99
 - 3) INSTRUMENTS DOWN STREAM OF SOURCE VALVE TO BE SUPPLIED BY OTHERS.

SYMBOL LEGEND ⊖ = MINUS DRAFT ⊕ = PLUS DRAFT .XX ± .XXX ± \angle(DEG.) ±		⊕ = ADDITIONAL CONTROL REQ'D ⊕ = BRINELL HARDNESS Drawings to conform to the current revision of the following ANSI standards: Y14.3 Multi and sectional view dgs. Y14.5M Dimensioning and tolerancing	
TOLERANCES NOT SPECIFIED AUTOCAD REL2008 INCH		DO NOT SCALE DRAWING FOR DIMENSIONS Sheet 2 of 2 SCALE 1:12	
CONFIDENTIAL DISCLOSURE This drawing is the property of POWEREX, INC. of the SCOTT FETZER COMPANY and subject to return on demand. Its contents are confidential and must not be copied or submitted to outside parties for use or examination.			
MATERIAL N/A		DRAWN BY AEK	
PART NAME QUAD MED PACKAGE FLOW SCHEMATIC		CHECKED BY GES	
APPROVED BY DMS		APPROVED BY RJR	
DATE 9/23/11		DATE 9/23/11	
DATE 9/23/11		DATE 9/23/11	
DATE 9/23/11		DATE 9/23/11	
DWG NO MPQ1008		SIZE D	