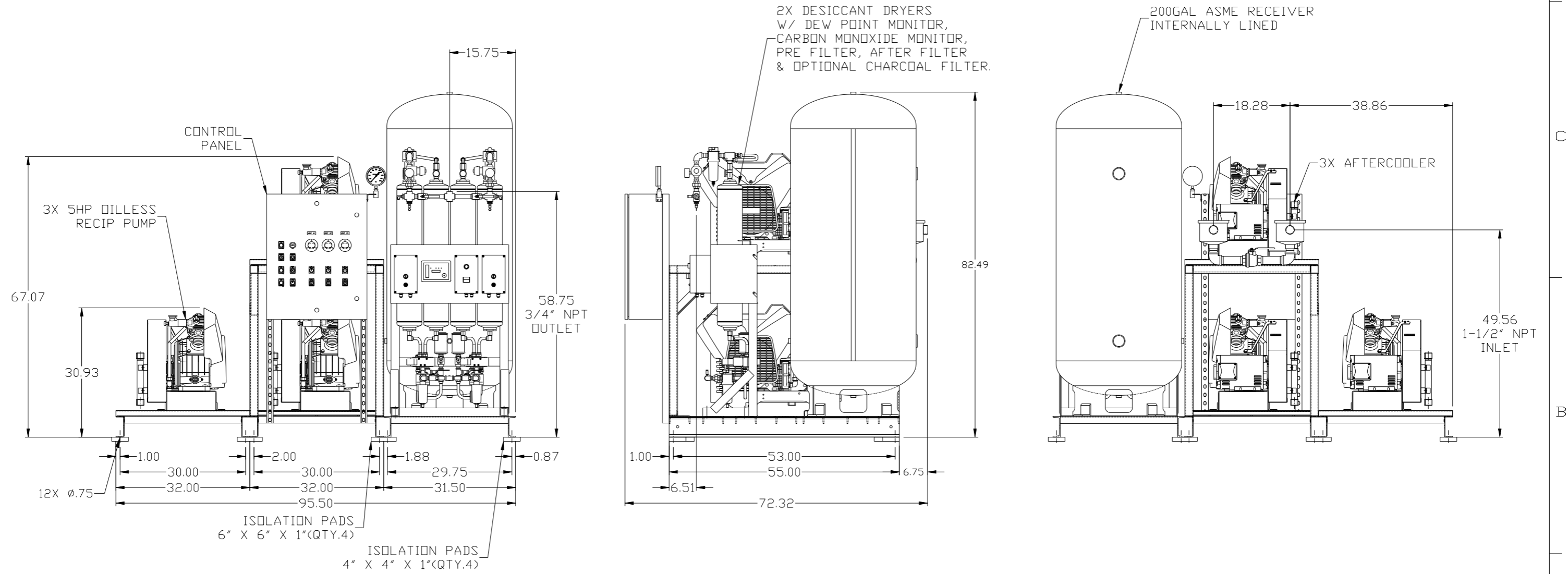


8 7 6 5 4 3 2 1

NOTE: A MINIMUM OF 24" CLEARANCE IS RECOMMENDED AROUND THE ENTIRE UNIT.

REV	ZONE	REVISION	DATE	ECN	NAME	CHKD
B-1	ALL	RELEASE TO PRODUCTION	08/11/06	21555	RSN	GES
B-2	PI.3	ADDED COG. W/SLIDE BASES	10/18/06	21436	GES	DMS
C-1	1B-7	REMOVED SPRINGS	8/11/08	22039	GES	DMS
D-1	ALL	UPDATED BUILD & FLOW TO CURRENT PRODUCTION	1/14/10	22348	AEK	GES
E-1	1 ALL	UPDATED TO CURRENT FRAMES	11/30/10	22407	AEK	GES
F-1	ALL	ADDED PBMI SHEETS	9/19/11	22609	AEK	GES
G-1	1 ALL	CORRECTED RECEIVER TO 200 GALLON	2/16/12	22723	AEK	GES
H-1	2 DS 2 CS	REMOVED SNUBBER VALVE CHANGED SENSING LOCATION	02/03/16	PXEC0133	MJD	AEK
J-1	1 ALL	CHANGED TO NEW BG DESIGN	7/14/16	PXEC0132	AEK	GES

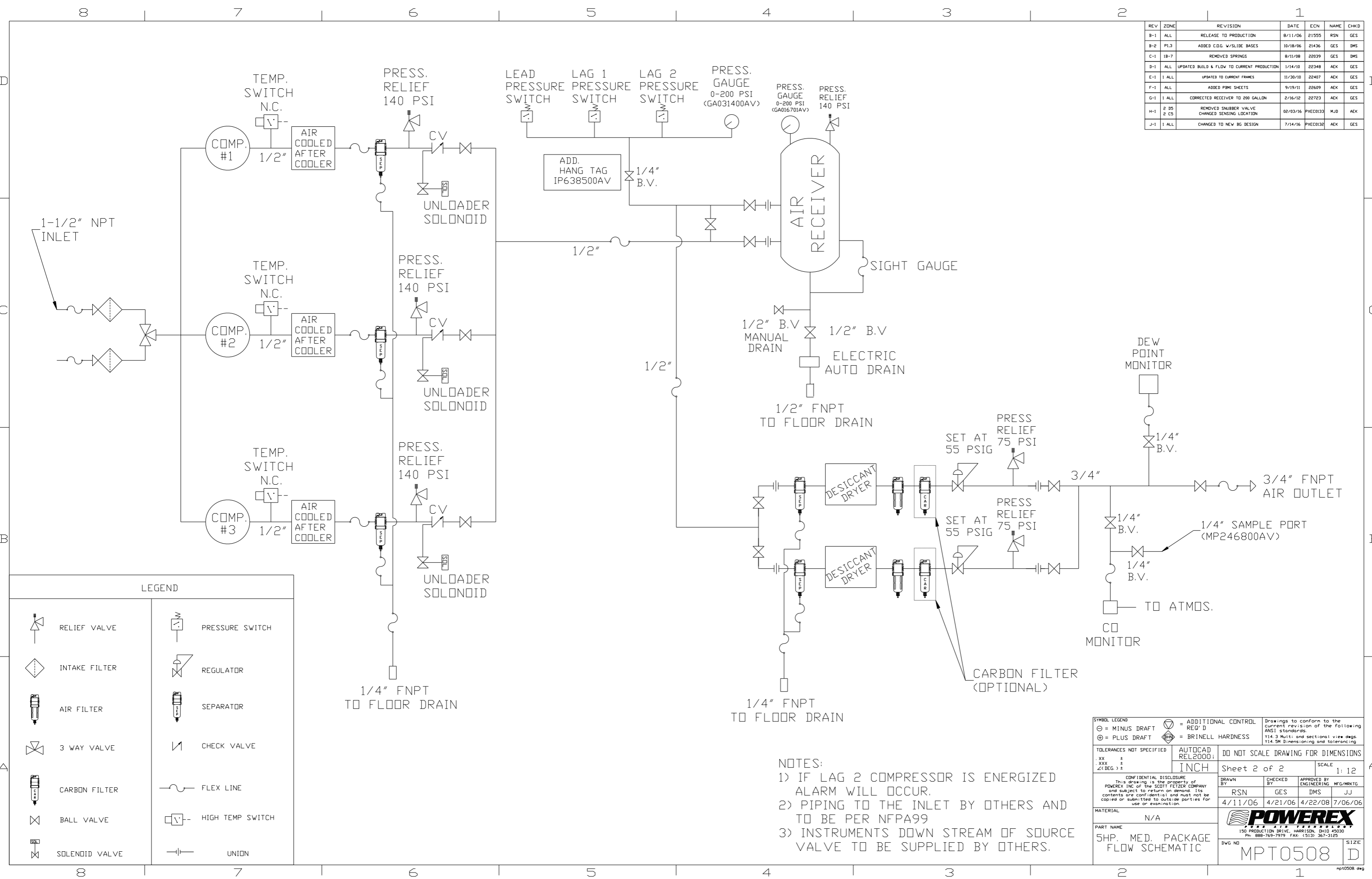


NOTE: SYSTEM DESIGNED IN COMPLIANCE WITH U.S. NFPA '99, LATEST EDITION.

SYMBOL LEGEND ⊖ = MINUS DRAFT ⊕ = PLUS DRAFT		⊕ = ADDITIONAL CONTROL REQ'D HRC = BRINELL HARDNESS		Drawings to conform to the current revision of the following ANSI standards: Y14.3 Multi and sectional view dgs. Y14.5M Dimensioning and tolerancing	
TOLERANCES NOT SPECIFIED .XX ± .XXX ± << DEG > ±		AUTOCAD REL2000 INCH		DO NOT SCALE DRAWING FOR DIMENSIONS Sheet 1 of 2 SCALE 1:12	
CONFIDENTIAL DISCLOSURE This drawing is the property of POWEREX, INC. of the SCOTT FELTZER COMPANY and subject to return on demand. Its contents are confidential and must not be copied or submitted to outside parties for use or examination.					
DRAWN BY RSN		CHECKED BY GES		APPROVED BY ENGINEERING MFG/MKTG DMS JJ	
04/11/06		4/21/06		4/22/06 7/06/06	
MATERIAL TRIPLEX OILLESS RECIP. 5HP, 200GAL. BASEMOUNT DUPLEX DESICCANT				 150 PRODUCTION DRIVE, HARRISON, OHIO 45030 Ph 888-769-7979 FAX (513) 367-3125	
DWG NO MPT0508				SIZE D	

8 7 6 5 4 3 2 1

REV	ZONE	REVISION	DATE	ECN	NAME	CHKD
B-1	ALL	RELEASE TO PRODUCTION	8/11/06	21555	RSN	GES
B-2	PI.3	ADDED CDG. W/SLIDE BASES	10/18/06	21436	GES	DMS
C-1	1B-7	REMOVED SPRINGS	8/11/08	22039	GES	DMS
D-1	ALL	UPDATED BUILD & FLOW TO CURRENT PRODUCTION	1/14/10	22348	AEK	GES
E-1	1 ALL	UPDATED TO CURRENT FRAMES	11/30/10	22407	AEK	GES
F-1	ALL	ADDED PBMI SHEETS	9/19/11	22609	AEK	GES
G-1	1 ALL	CORRECTED RECEIVER TO 200 GALLON	2/16/12	22723	AEK	GES
H-1	2 DS 2 CS	REMOVED SNUBBER VALVE CHANGED SENSING LOCATION	02/03/16	PXEC0133	MJD	AEK
J-1	1 ALL	CHANGED TO NEW BG DESIGN	7/14/16	PXEC0132	AEK	GES



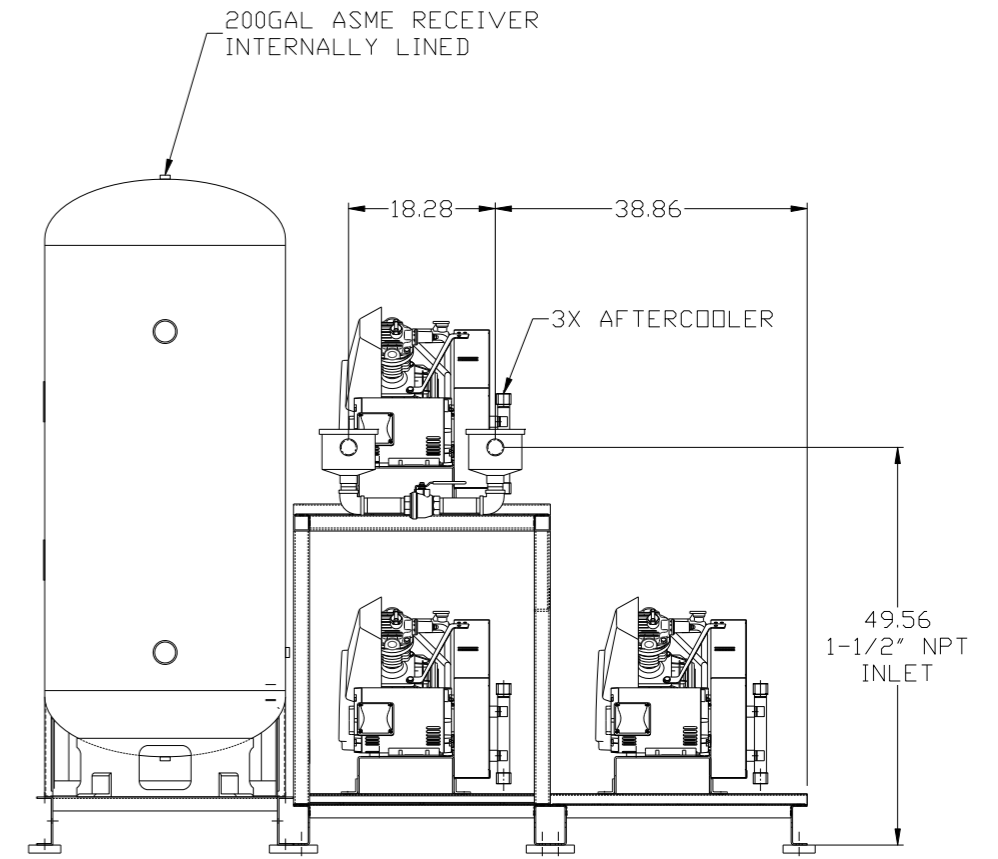
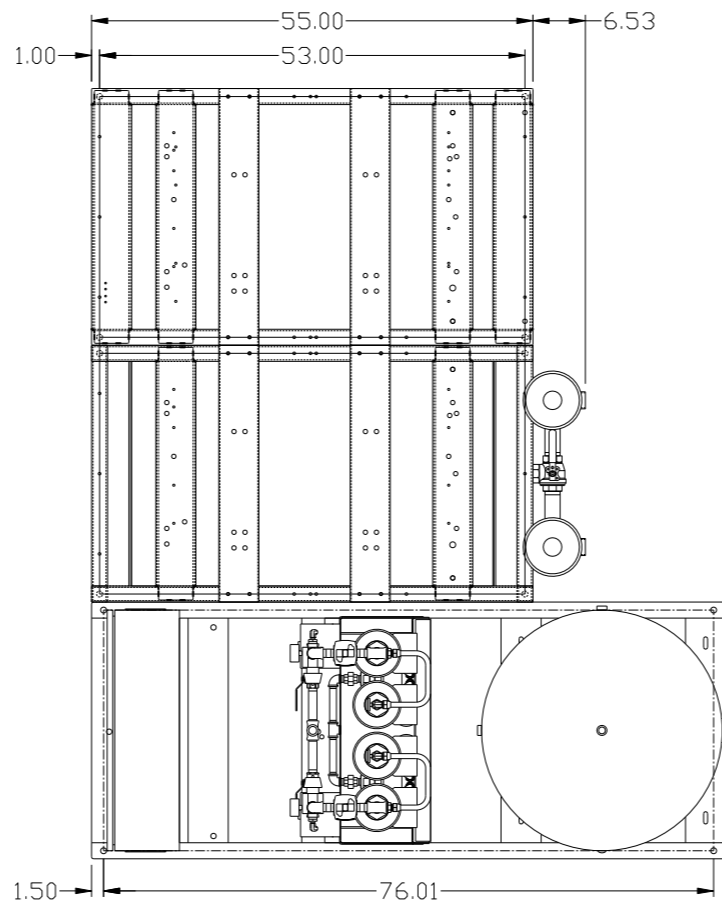
LEGEND	
	RELIEF VALVE
	INTAKE FILTER
	AIR FILTER
	3 WAY VALVE
	CARBON FILTER
	BALL VALVE
	SOLENOID VALVE
	PRESSURE SWITCH
	REGULATOR
	SEPARATOR
	CHECK VALVE
	FLEX LINE
	HIGH TEMP SWITCH
	UNION

NOTES:
 1) IF LAG 2 COMPRESSOR IS ENERGIZED ALARM WILL OCCUR.
 2) PIPING TO THE INLET BY OTHERS AND TO BE PER NFPA99
 3) INSTRUMENTS DOWN STREAM OF SOURCE VALVE TO BE SUPPLIED BY OTHERS.

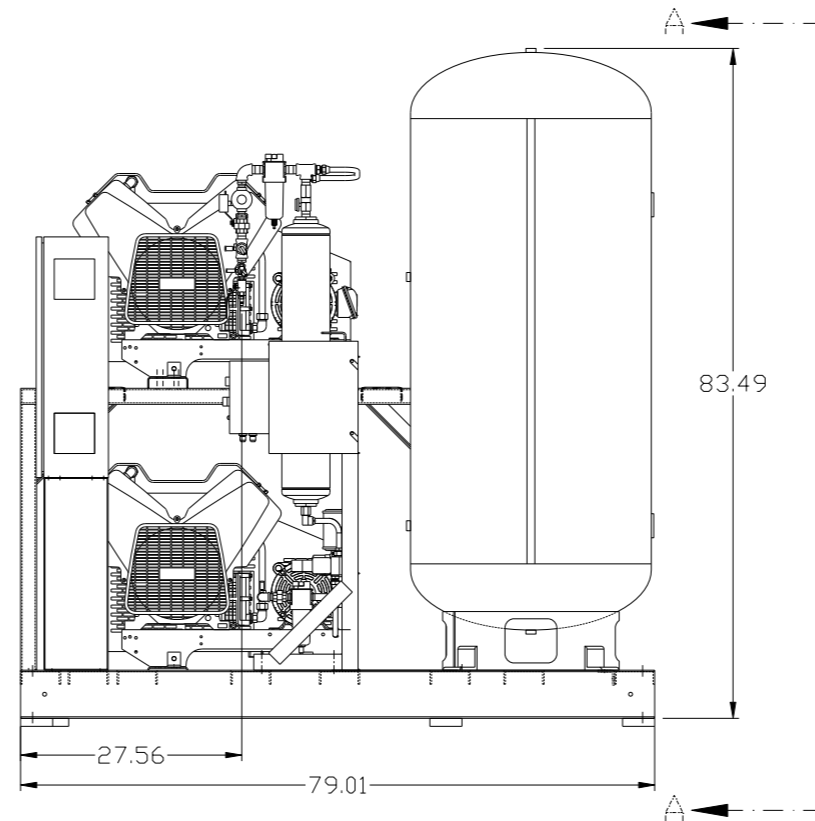
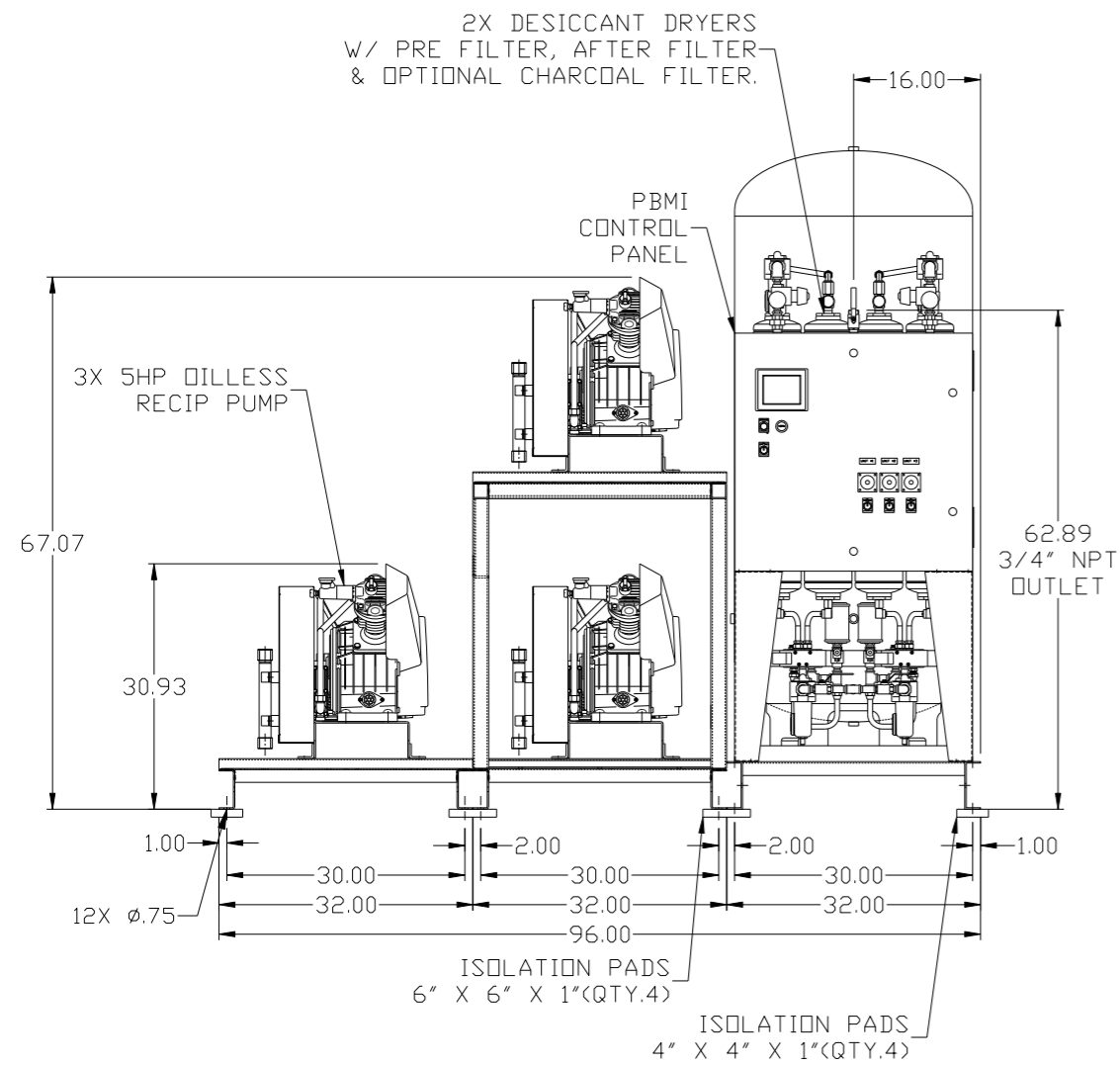
SYMBOL LEGEND			ADDITIONAL CONTROL REQ'D	Drawings to conform to the current revision of the following ANSI standards: Y14.3 Multi and sectional view dgs. Y14.5M Dimensioning and tolerancing
	MINUS DRAFT		BRINELL HARDNESS	
TOLERANCES NOT SPECIFIED		AUTOCAD REL2000:	DO NOT SCALE DRAWING FOR DIMENSIONS	
.XX ±	.XXX ±	<<DEG> ±	INCH	Sheet 2 of 2
CONFIDENTIAL DISCLOSURE		This drawing is the property of POWEREX, INC. or the SCOTT FETZER COMPANY and subject to return on demand. Its contents are confidential and must not be copied or submitted to outside parties for use or examination.		
DRAWN BY		CHECKED BY	APPROVED BY	MFG/MKTG
RSN		GES	DMS	JJ
MATERIAL		4/11/06	4/21/06	4/22/08 7/06/06
N/A				
PART NAME		5HP. MED. PACKAGE FLOW SCHEMATIC		
DWG NO		MPT0508		
SIZE		D		

NOTE: A MINIMUM OF 24" CLEARANCE IS RECOMMENDED AROUND THE ENTIRE UNIT.

REV	ZONE	REVISION	DATE	ECN	NAME	CHKD
F-1	ALL	ADDED PBMI SHEETS	9/19/11	22609	AEK	GES
G-1	1 ALL	CORRECTED RECEIVER TO 200 GALLON	2/16/12	22723	AEK	GES
H-1	2 DS 2 CS	REMOVED SNUBBER VALVE CHANGED SENSING LOCATION	02/03/16	PKEC0133	MJD	AEK
J-1	1 ALL	CHANGED TO NEW BG DESIGN	7/14/16	PKEC0132	AEK	GES



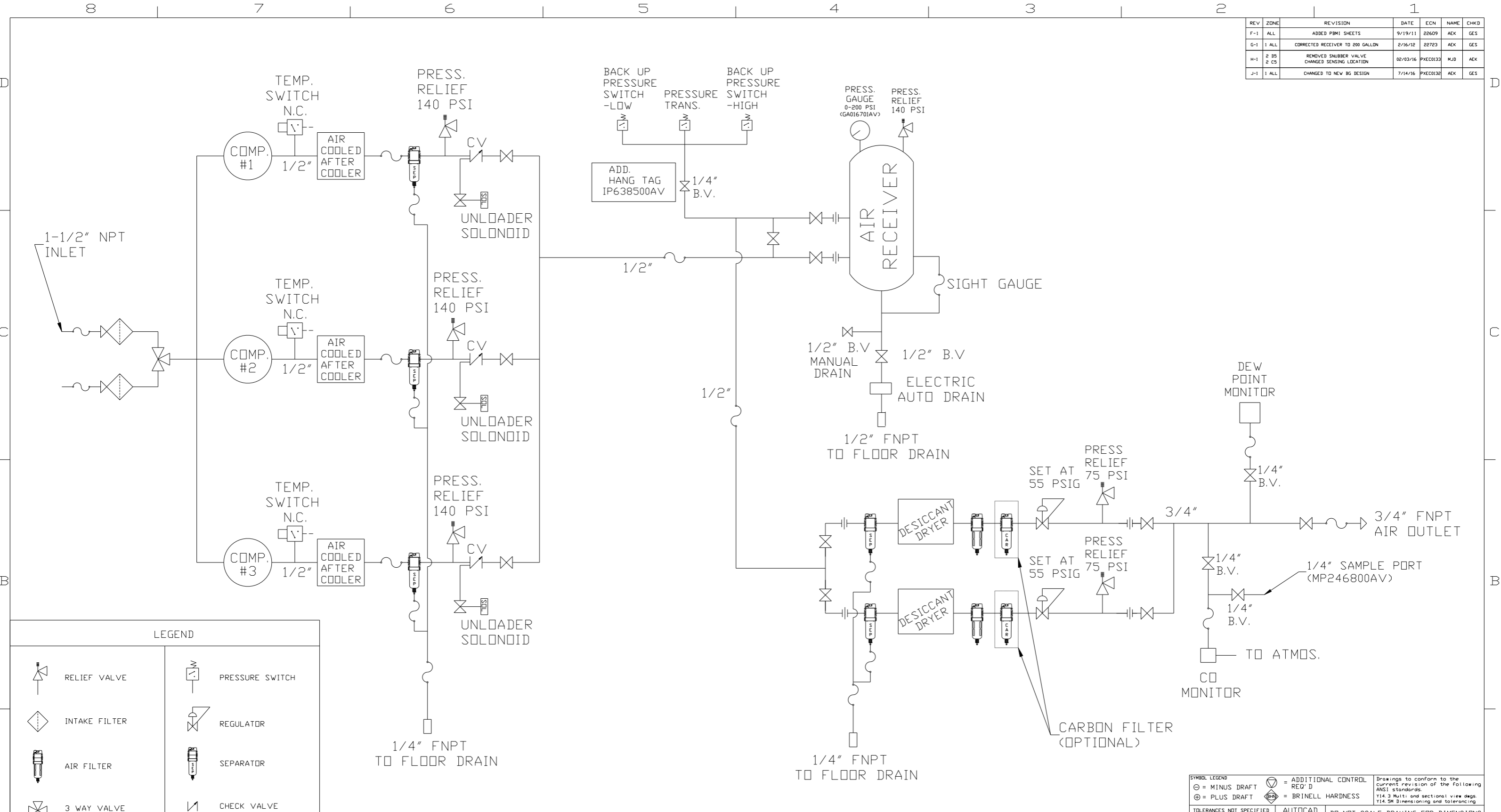
VIEW A-A



NOTE: SYSTEM DESIGNED IN COMPLIANCE WITH U.S. NFPA '99, LATEST EDITION.

SYMBOL LEGEND		= ADDITIONAL CONTROL REQ'D		Drawings to conform to the current revision of the following ANSI standards:	
⊖	MINUS DRAFT	⊕	PLUS DRAFT	Ⓜ	BRINELL HARDNESS
TOLERANCES NOT SPECIFIED		AUTOCAD REL2008		DO NOT SCALE DRAWING FOR DIMENSIONS	
.XX ±		INCH		Sheet 1 of 2	SCALE 1:12
CONFIDENTIAL DISCLOSURE: This drawing is the property of POWEREX, INC. of the SCOTT FEITZER COMPANY and subject to return on demand. Its contents are confidential and must not be copied or submitted to outside parties for use or examination.					
DRAWN BY		CHECKED BY		APPROVED BY	
AEK		GES		DMS RJR	
9/19/11		9/19/11		9/19/11 9/19/11	
MATERIAL		TRIPLEX OILLESS RECIP. SHP. 200GAL. BASEMOUNT DUPLEX DESICCANT		DWG NO MPT0508	
PART NAME		TRIPLEX OILLESS RECIP. SHP. 200GAL. BASEMOUNT DUPLEX DESICCANT		SIZE D	

REV	ZONE	REVISION	DATE	ECN	NAME	CHKD
F-1	ALL	ADDED PBM1 SHEETS	9/19/11	22609	AEK	GES
G-1	1 ALL	CORRECTED RECEIVER TO 200 GALLON	2/16/12	22723	AEK	GES
H-1	2 DS 2 CS	REMOVED SNUBBER VALVE CHANGED SENSING LOCATION	02/03/16	PXEC0133	MJD	AEK
J-1	1 ALL	CHANGED TO NEW BG DESIGN	7/14/16	PXEC0132	AEK	GES



LEGEND	
	RELIEF VALVE
	INTAKE FILTER
	AIR FILTER
	3 WAY VALVE
	CARBON FILTER
	BALL VALVE
	SOLENOID VALVE
	PRESSURE SWITCH
	REGULATOR
	SEPARATOR
	CHECK VALVE
	FLEX LINE
	HIGH TEMP SWITCH
	UNION

NOTES:
 1) IF LAG 2 COMPRESSOR IS ENERGIZED ALARM WILL OCCUR.
 2) PIPING TO THE INLET BY OTHERS AND TO BE PER NFPA99
 3) INSTRUMENTS DOWN STREAM OF SOURCE VALVE TO BE SUPPLIED BY OTHERS.

SYMBOL LEGEND			ADDITIONAL CONTROL REQ'D	Drawings to conform to the current revision of the following ANSI standards:	
	MINUS DRAFT		BRINELL HARDNESS	Y14.3 Multi and sectional view dsgs. Y14.5M Dimensioning and tolerancing	
TOLERANCES NOT SPECIFIED		AUTOCAD REL2008	DO NOT SCALE DRAWING FOR DIMENSIONS		
.XX ±	.XXX ±	<< DEG > ±	INCH	Sheet 2 of 2	SCALE 1:12
CONFIDENTIAL DISCLOSURE This drawing is the property of POWEREX, INC. or the SCOTT FETZER COMPANY and subject to return on demand. Its contents are confidential and must not be copied or submitted to outside parties for use or examination.					
DRAWN BY		CHECKED BY	APPROVED BY		MFG/MKTG
AEK		GES	DMS		RJR
9/19/11		9/19/11	9/19/11		9/19/11
MATERIAL		N/A			
PART NAME		5HP. MED. PACKAGE FLOW SCHEMATIC			
DWG NO		MPT0508		SIZE D	