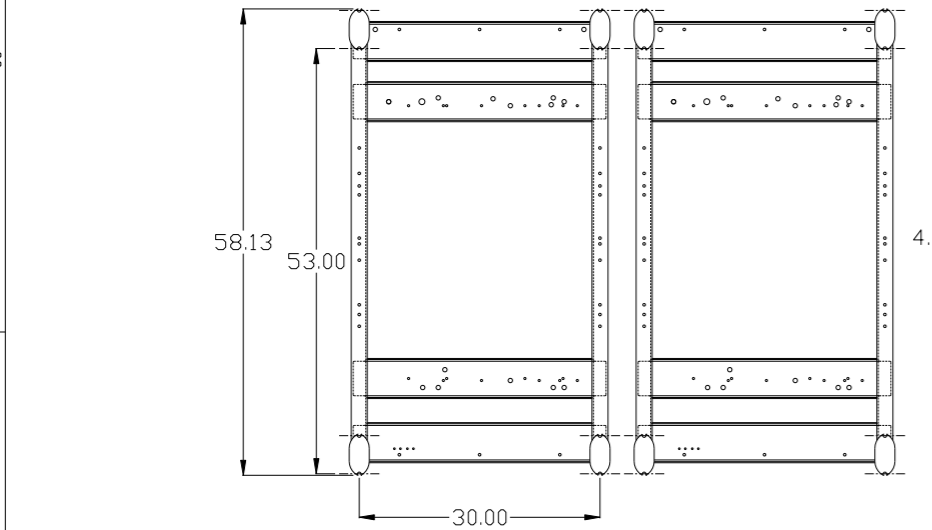
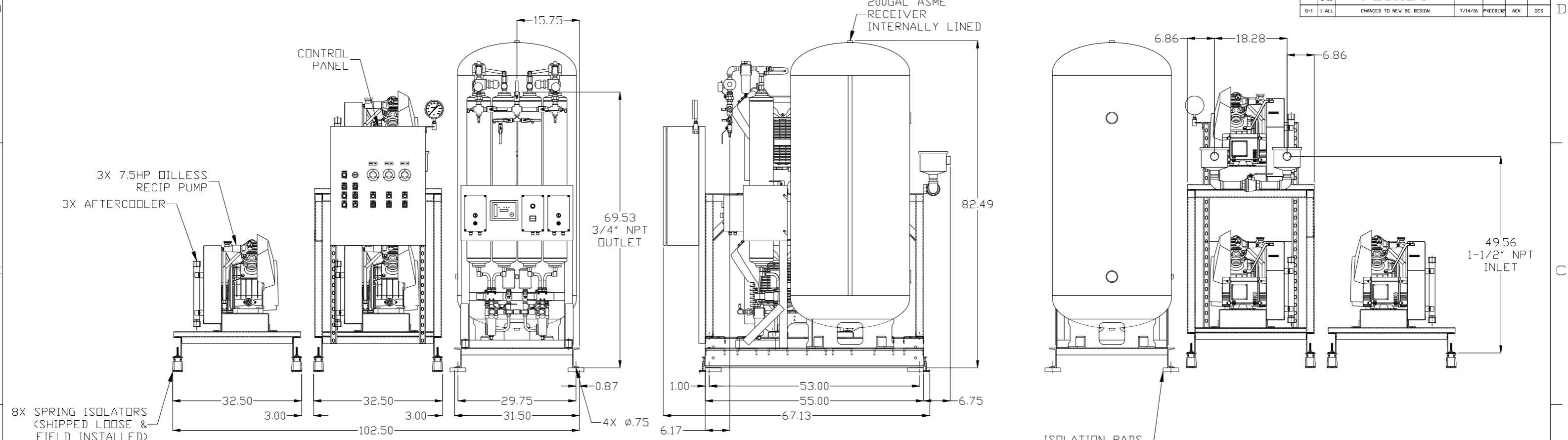


REV	ZONE	REVISION	DATE	ECN	NAME	CHKD
C-1	ALL	ADDED PBM1 SHEETS	9/19/11	22609	AEK	GES
D-1	1 ALL	CORRECTED RECEIVER TO 200 GALLON	2/16/12	22723	AEK	GES
E-1	1 ALL	REMOVED AFTERCOOLER BRACKETS	4/2/15	PXEC0093	MJD	GES
F-1	2 DS 2 CS	REMOVED SNUBBER VALVE CHANGED SENSING LOCATION	02/03/16	PXEC0133	MJD	AEK
G-1	1 ALL	CHANGED TO NEW BG DESIGN	7/14/16	PXEC0130	AEK	GES



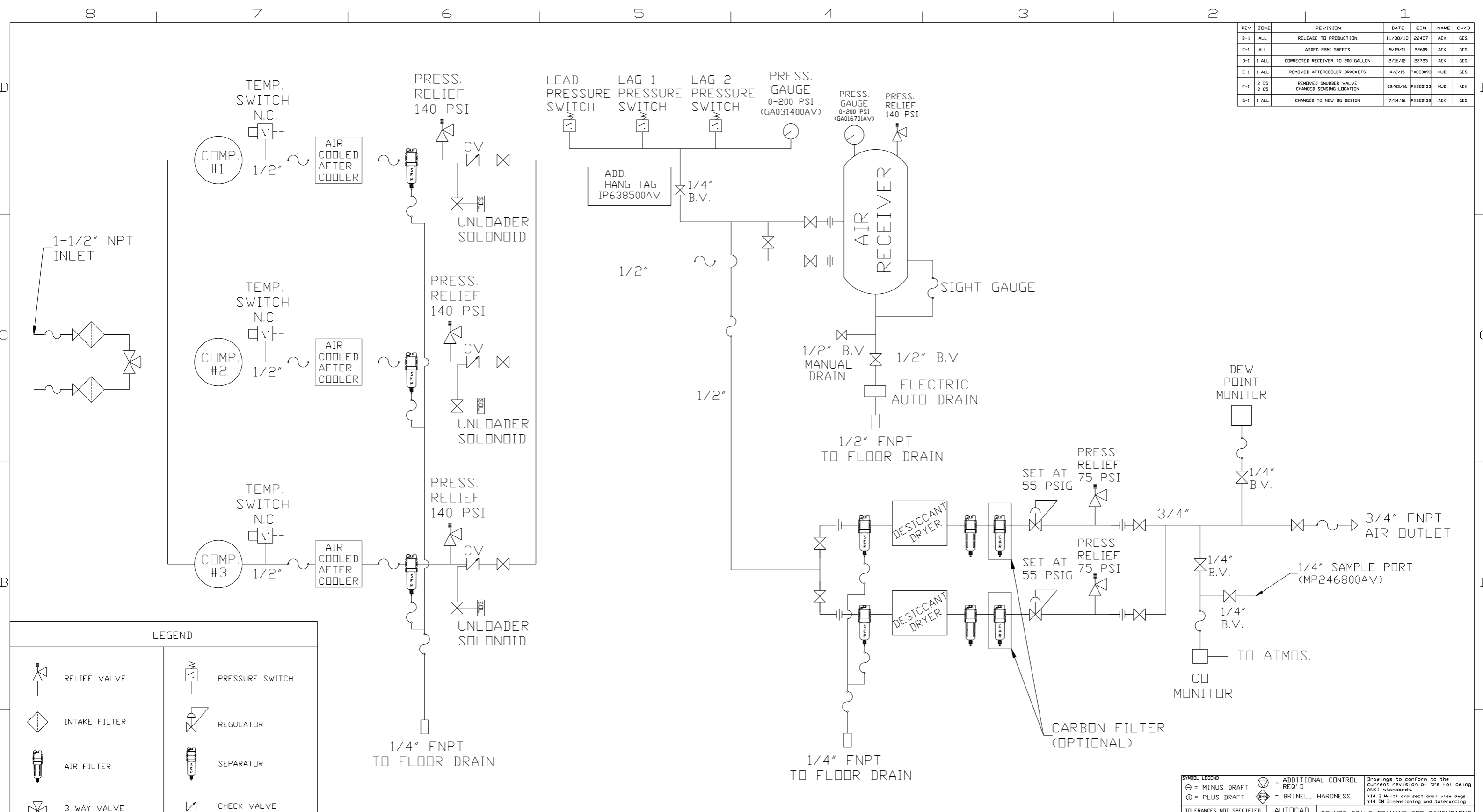
2X .22" OPEN-ENDED SLOT PER SPRING ISOLATOR

NOTE: A MINIMUM OF 24" CLEARANCE IS RECOMMENDED AROUND THE ENTIRE UNIT.

NOTE: SYSTEM DESIGNED IN COMPLIANCE WITH U.S. NFPA '99, LATEST EDITION.

<b>SYMBOL LEGEND</b> ⊖ = MINUS DRAFT ⊕ = PLUS DRAFT HRC = BRINELL HARDNESS ⊕ = ADDITIONAL CONTROL REQ'D HRC = BRINELL HARDNESS		Drawings to conform to the current revision of the following ANSI standards: Y14.3 Multi and sectional view dgs. Y14.5M Dimensioning and tolerancing	
TOLERANCES NOT SPECIFIED .XX ± .XXX ± <math>\angle</math> (DEG) ±		DO NOT SCALE DRAWING FOR DIMENSIONS SCALE 1:12	
AUTOCAD REL2008 LT INCH		Sheet 1 of 2	
<b>CONFIDENTIAL DISCLOSURE</b> This drawing is the property of POWEREX, INC. of the SCOTT FELTZER COMPANY and subject to return on demand. Its contents are confidential and must not be copied or submitted to outside parties for use or examination.			
DRAWN BY AEK	CHECKED BY GES	APPROVED BY DMS	MFG/MKTG JJ
11/30/10	11/30/10	11/30/10	11/30/10
MATERIAL N/A		<b>POWEREX</b> 150 PRODUCTION DRIVE, HARRISON, OHIO 45030 Ph: 888-769-7979 FAX: (513) 367-3125	
PART NAME TRIPLEX OILLESS RECIP. 7.5HP 200GAL BASEMOUNT DUPLEX DESICCANT		DWG NO MPT0608X5	SIZE D

REV	ZONE	REVISION	DATE	ECN	NAME	CHKD
B-1	ALL	RELEASE TO PRODUCTION	11/30/10	22407	AEK	GES
C-1	ALL	ADDED P&MI SHEETS	9/19/11	22609	AEK	GES
D-1	1 ALL	CORRECTED RECEIVER TO 200 GALLON	2/16/12	22723	AEK	GES
E-1	1 ALL	REMOVED AFTERCOOLER BRACKETS	4/2/15	PXEC0093	MJD	GES
F-1	2 GS	REMOVED SMOOTHER VALVE CHANGED SENSING LOCATION	02/03/16	PXEC0133	MJD	AEK
G-1	1 ALL	CHANGED TO NEW BG DESIGN	7/14/16	PXEC0132	AEK	GES

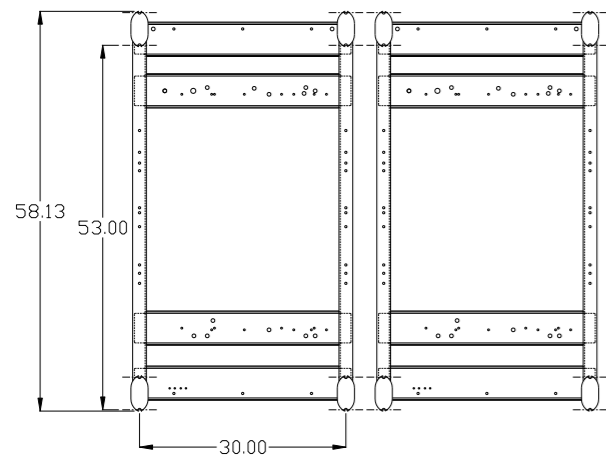


LEGEND	
	RELIEF VALVE
	INTAKE FILTER
	AIR FILTER
	3 WAY VALVE
	CARBON FILTER
	BALL VALVE
	SOLENOID VALVE
	PRESSURE SWITCH
	REGULATOR
	SEPARATOR
	CHECK VALVE
	FLEX LINE
	HIGH TEMP SWITCH
	UNION

NOTES:  
 1) IF LAG 2 COMPRESSOR IS ENERGIZED ALARM WILL OCCUR.  
 2) PIPING TO THE INLET BY OTHERS AND TO BE PER NFPA99  
 3) INSTRUMENTS DOWN STREAM OF SOURCE VALVE TO BE SUPPLIED BY OTHERS.

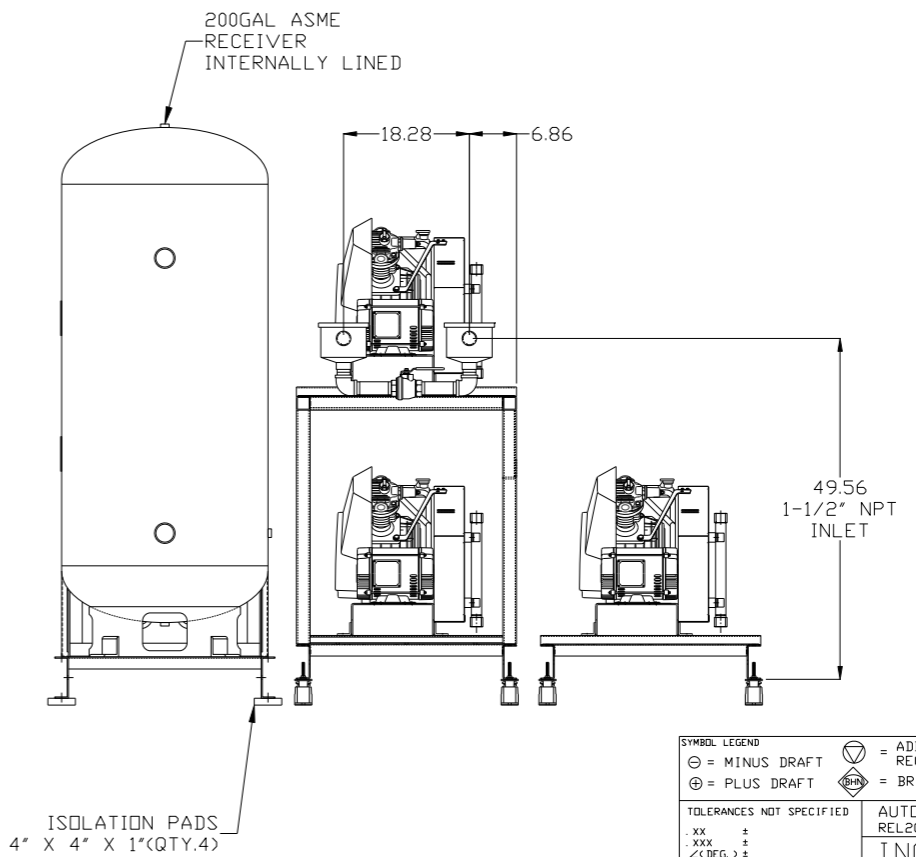
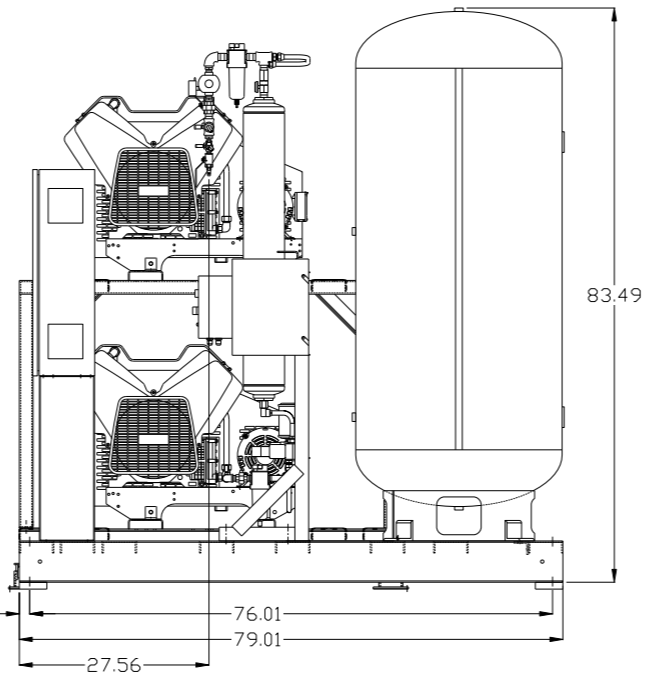
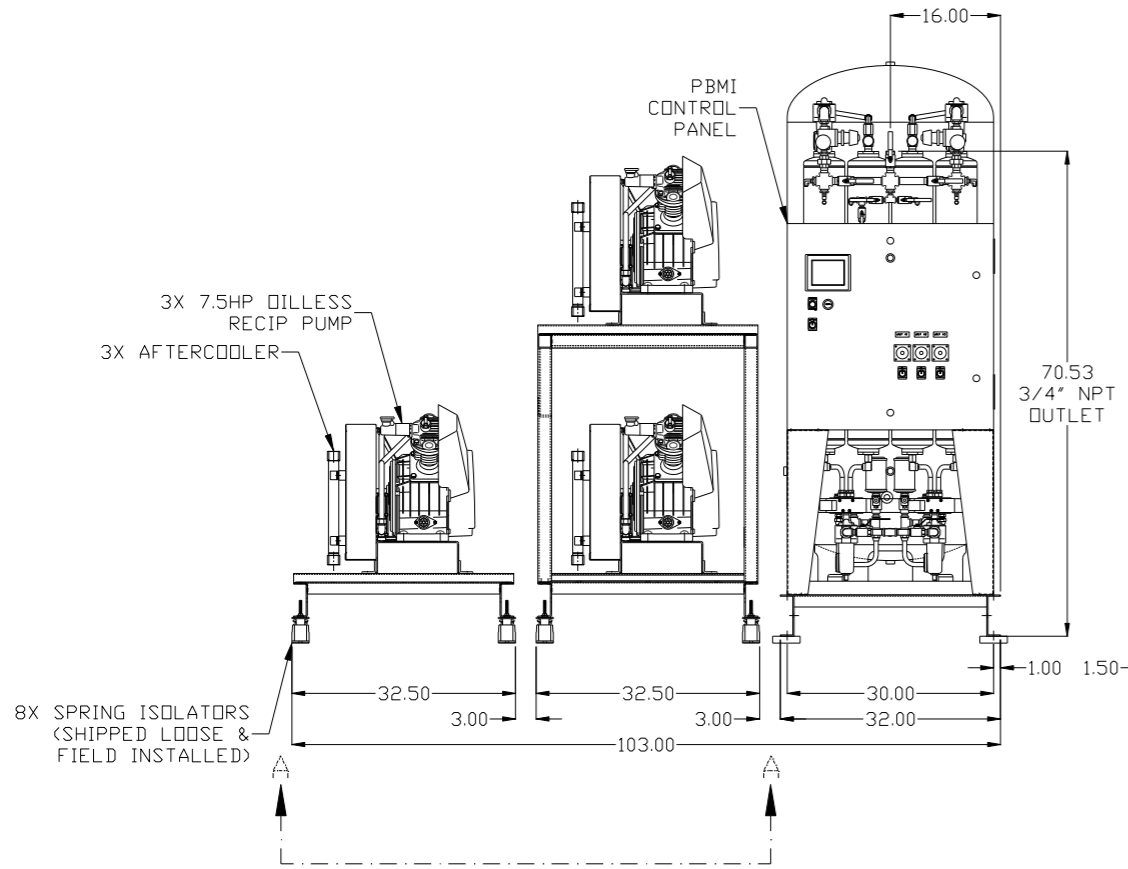
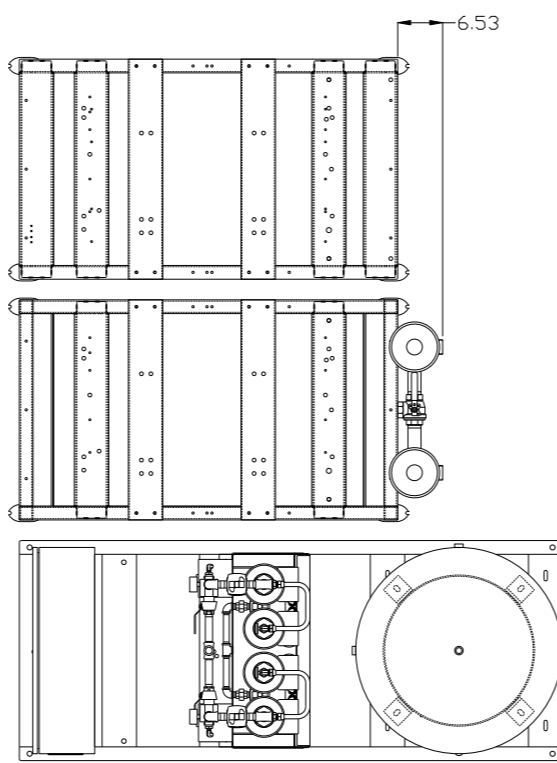
SYMBOL LEGEND			ADDITIONAL CONTROL REQ'D	Drawings to conform to the current revision of the following ANSI standards: Y14.3 Multi and sectional view dgs. Y14.5M Dimensioning and tolerancing
	MINUS DRAFT		BRINELL HARDNESS	
TOLERANCES NOT SPECIFIED		AUTOCAD REL2008 LT	DO NOT SCALE DRAWING FOR DIMENSIONS	
.XX ±		INCH	Sheet 2 of 2	SCALE 1:12
CONFIDENTIAL DISCLOSURE		This drawing is the property of POWEREX, INC. of the SCOTT FETZER COMPANY and subject to return on demand. Its contents are confidential and must not be copied or submitted to outside parties for use or examination.		
DRAWN BY	CHECKED BY	APPROVED BY	MFG/MKTG	
AEK	GES	DMS	JJ	
DATE	DATE	DATE	DATE	
11/30/10	11/30/10	11/30/10	11/30/10	
MATERIAL		N/A		
PART NAME		TRIPLEX OIL-LESS RECIP MEDICAL PACKAGE FLOW SCHEMATIC		
DWG NO		MPT0608X5		
SIZE		D		

REV	ZONE	REVISION	DATE	ECN	NAME	CHKD
C-1	ALL	ADDED PBMI SHEETS	11/30/10	22609	AEK	GES
D-1	1 ALL	CORRECTED RECEIVER TO 200 GALLON	2/16/12	22723	AEK	GES
E-1	1 ALL	REMOVED AFTERCOOLER BRACKETS	4/2/15	PXEC0093	MJD	GES
F-1	2 DS 2 CS	REMOVED SNUBBER VALVE CHANGED SENSING LOCATION	02/03/16	PXEC0133	MJD	AEK
G-1	1 ALL	CHANGED TO NEW BG DESIGN	7/14/16	PXEC0130	AEK	GES



VIEW A-A

2X .22" OPEN-ENDED SLOT  
PER SPRING ISOLATOR

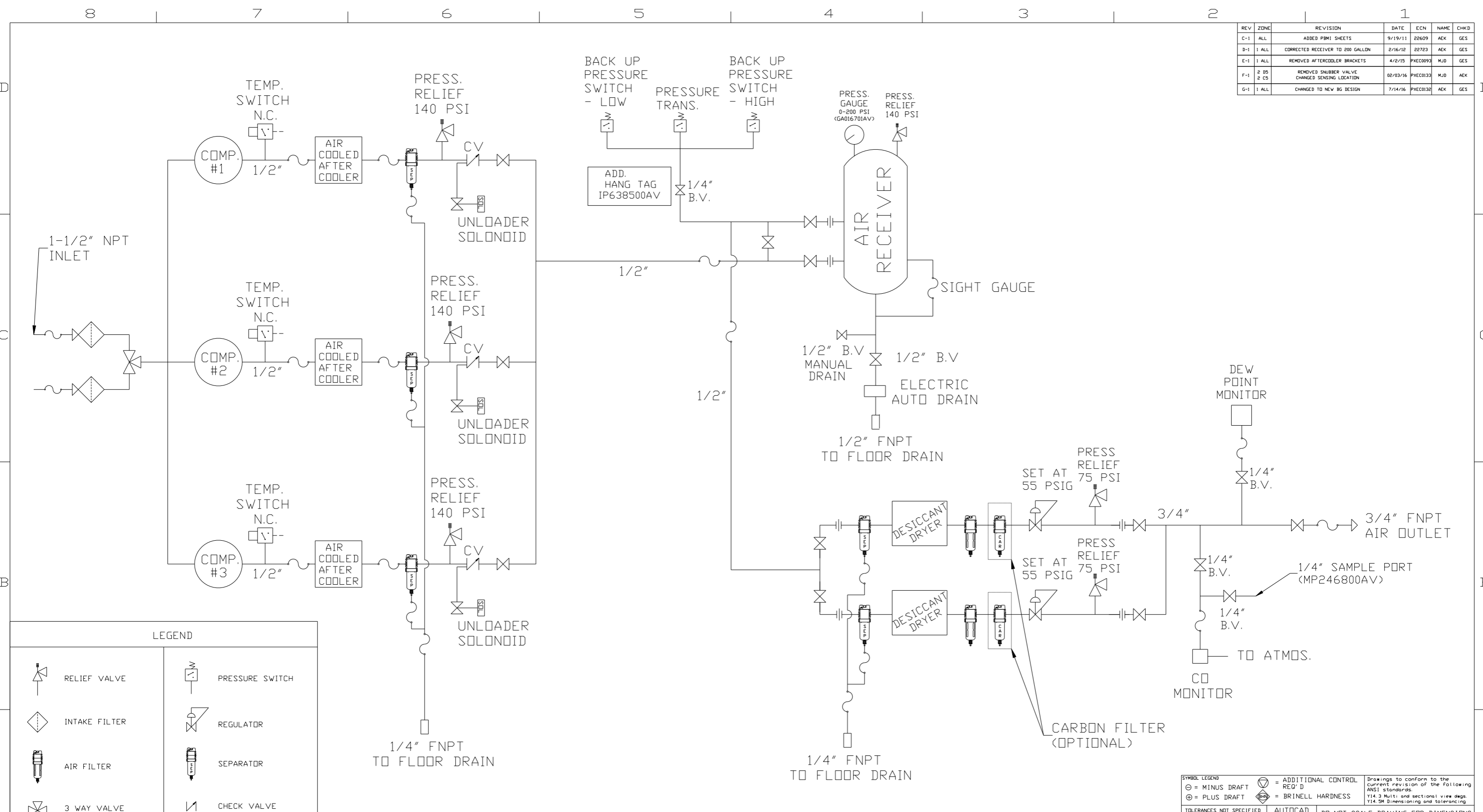


NOTE: A MINIMUM OF 24" CLEARANCE IS  
RECOMMENDED AROUND THE ENTIRE UNIT.

NOTE: SYSTEM DESIGNED IN  
COMPLIANCE WITH U.S. NFPA '99,  
LATEST EDITION.

<b>SYMBOL LEGEND</b> ⊖ = MINUS DRAFT ⊕ = PLUS DRAFT TOLERANCES NOT SPECIFIED .XX ± .XXX ± <<DEG>> ±		= ADDITIONAL CONTROL REQ'D = BRINELL HARDNESS		Drawings to conform to the current revision of the following ANSI standards: Y14.3 Multi and sectional view dgs. Y14.5M Dimensioning and tolerancing
AUTOCAD REL2008 LT INCH		DO NOT SCALE DRAWING FOR DIMENSIONS Sheet 1 of 2 SCALE 1:14		
<b>CONFIDENTIAL DISCLOSURE</b> This drawing is the property of POWEREX, INC. of the SCOTT FEITZER COMPANY and subject to return on demand. Its contents are confidential and must not be copied or submitted to outside parties for use or examination.				
DRAWN BY AEK	CHECKED BY GES	APPROVED BY DMS 9/19/11	MFG/MKTG RJR 9/19/11	
MATERIAL N/A		<b>POWEREX</b> 150 PRODUCTION DRIVE, HARRISON, OHIO 45030 Ph: 888-769-7979 FAX: (513) 367-3125		
PART NAME TRIPLEX OILLESS RECIP. 7.5HP 200GAL BASEMOUNT DUPLEX DESICCANT		DWG NO MPT0608X5	SIZE D	

REV	ZONE	REVISION	DATE	ECN	NAME	CHKD
C-1	ALL	ADDED P&ID SHEETS	9/19/11	22609	AEK	GES
D-1	1 ALL	CORRECTED RECEIVER TO 200 GALLON	2/16/12	22723	AEK	GES
E-1	1 ALL	REMOVED AFTERCOOLER BRACKETS	4/2/15	PXEC0093	MJD	GES
F-1	2 DS 2 CS	REMOVED SNUBBER VALVE CHANGED SENSING LOCATION	02/03/16	PXEC0133	MJD	AEK
G-1	1 ALL	CHANGED TO NEW BG DESIGN	7/14/16	PXEC0130	AEK	GES



LEGEND	
	RELIEF VALVE
	INTAKE FILTER
	AIR FILTER
	3 WAY VALVE
	CARBON FILTER
	BALL VALVE
	SOLENOID VALVE
	PRESSURE SWITCH
	REGULATOR
	SEPARATOR
	CHECK VALVE
	FLEX LINE
	HIGH TEMP SWITCH
	UNION

NOTES:  
 1) IF LAG 2 COMPRESSOR IS ENERGIZED ALARM WILL OCCUR.  
 2) PIPING TO THE INLET BY OTHERS AND TO BE PER NFPA99  
 3) INSTRUMENTS DOWN STREAM OF SOURCE VALVE TO BE SUPPLIED BY OTHERS.

SYMBOL LEGEND			ADDITIONAL CONTROL REQ'D	Drawings to conform to the current revision of the following ANSI standards:	
	MINUS DRAFT		BRINELL HARDNESS	Y14.3 Multi and sectional view dsgs. Y14.5M Dimensioning and tolerancing	
TOLERANCES NOT SPECIFIED		AUTOCAD REL2008 LT	DO NOT SCALE DRAWING FOR DIMENSIONS		
.XX ±		INCH	Sheet 2 of 2	SCALE 1:12	
CONFIDENTIAL DISCLOSURE This drawing is the property of POWEREX, INC. of the SCOTT FETZER COMPANY and subject to return on demand. Its contents are confidential and must not be copied or submitted to outside parties for use or examination.					
DRAWN BY		CHECKED BY	APPROVED BY		MFG/MKTG
AEK		GES	DMS		RJR
9/19/11		9/19/11	9/19/11		9/19/11
MATERIAL		N/A			
PART NAME		TRIPLEX OIL-LESS RECIP MEDICAL PACKAGE FLOW SCHEMATIC			
DWG NO		MPT0608X5		SIZE D	