

REV	ZONE	REVISION	DATE	ECN	NAME	CHKD
B-1	ALL	RELEASE FOR PRODUCTION	01/28/16	PXEC0141	MJD	AEK
C-1	35 ALL	UPDATED TO MANU NDL DRYERS	8/18/17	PXEC0174	AEK	GES

8 7 6 5 4 3 2 1

D

D

C

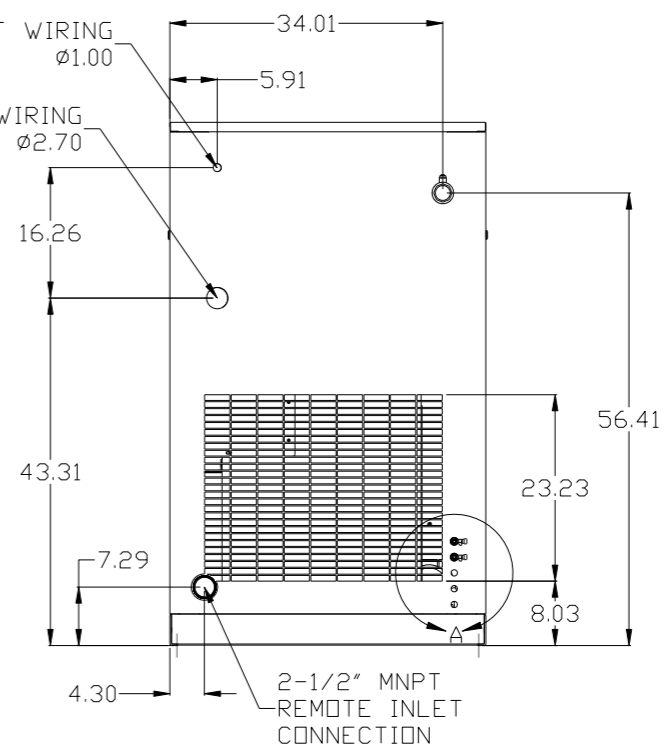
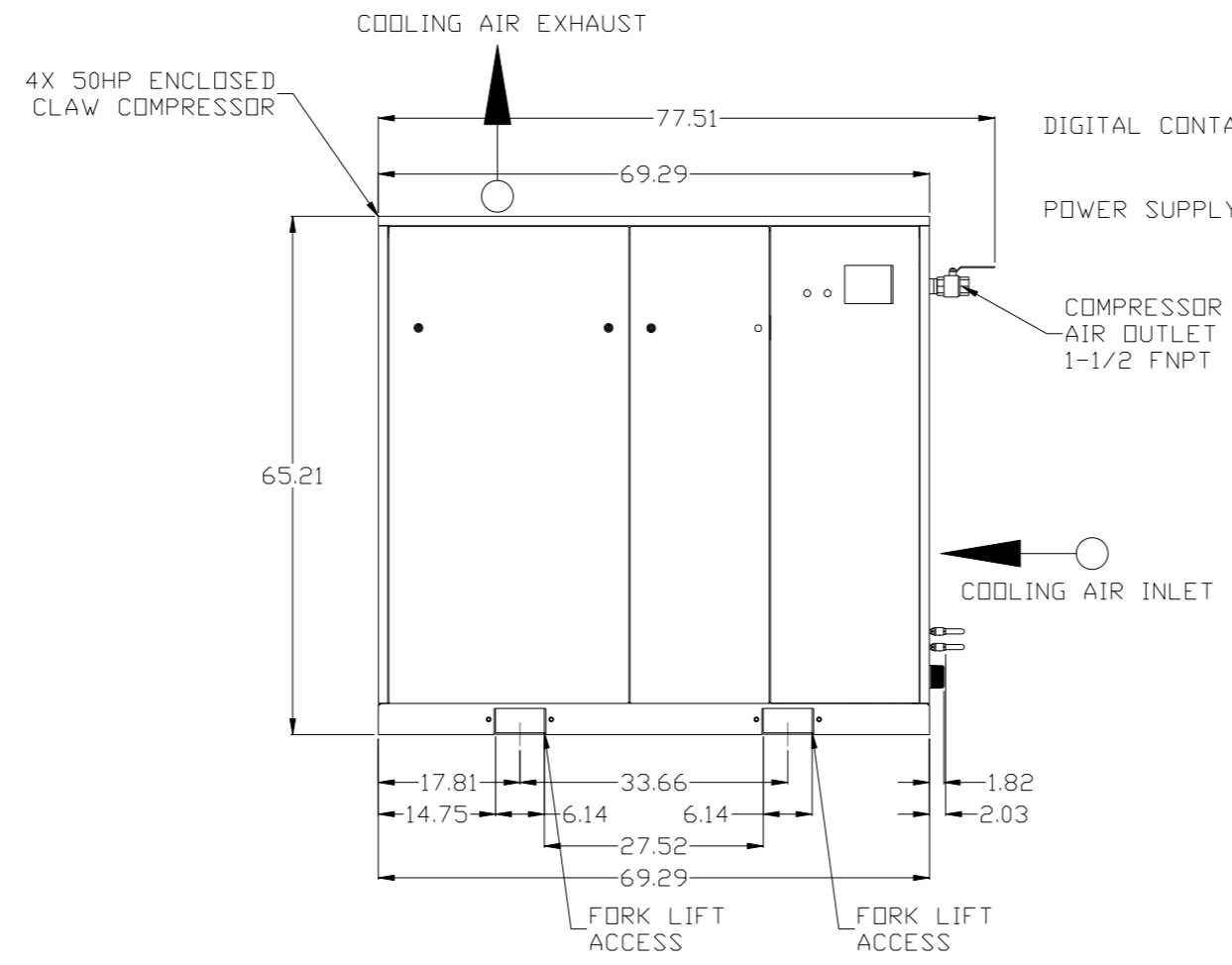
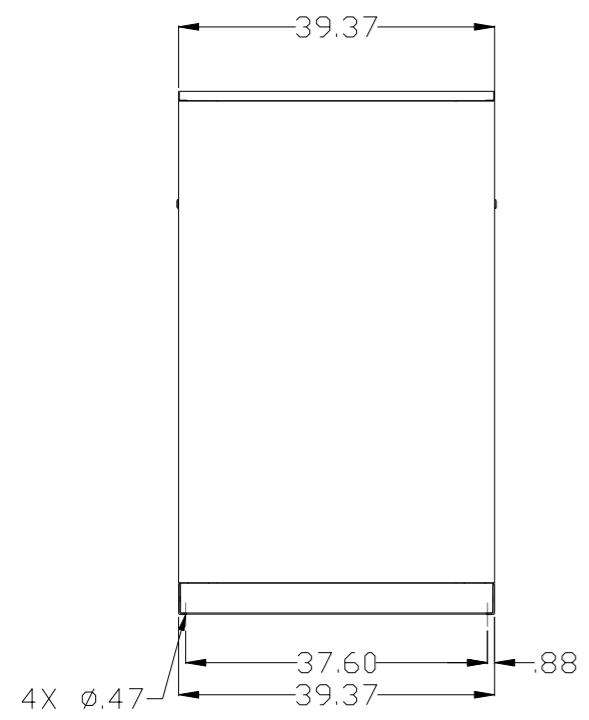
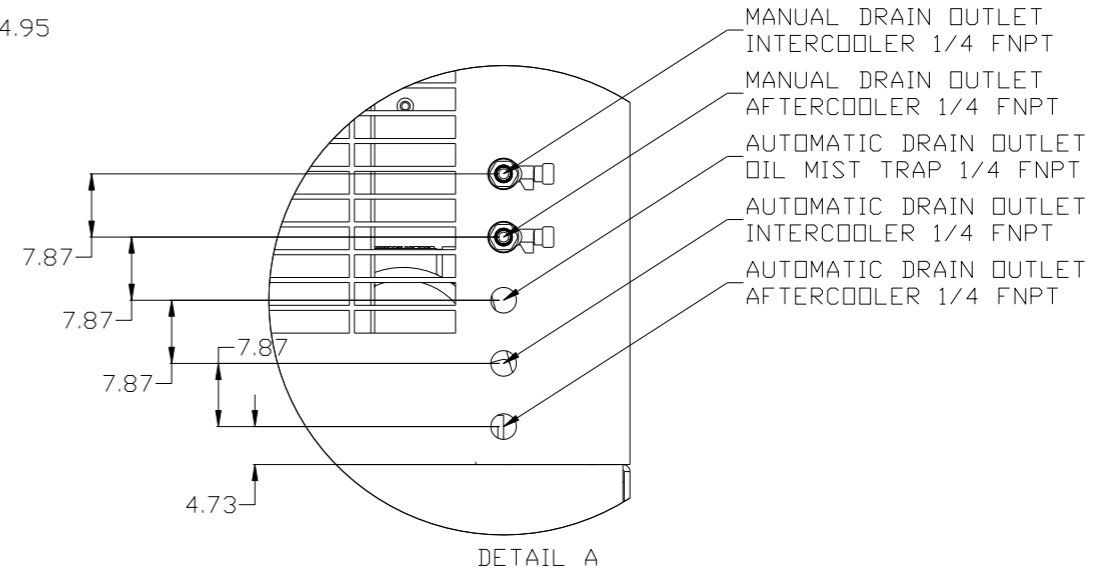
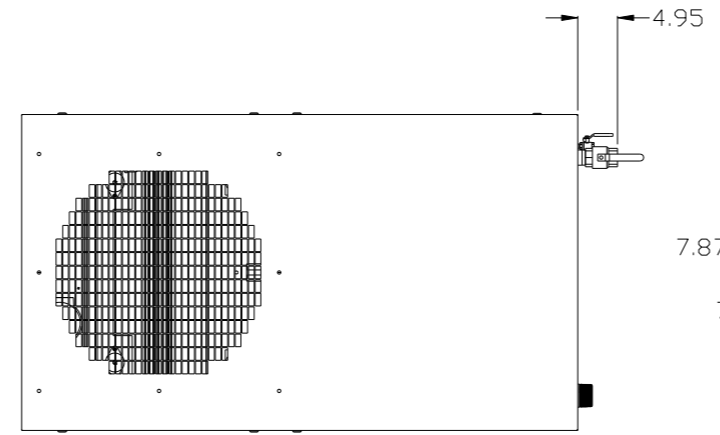
C

B

B

A

A



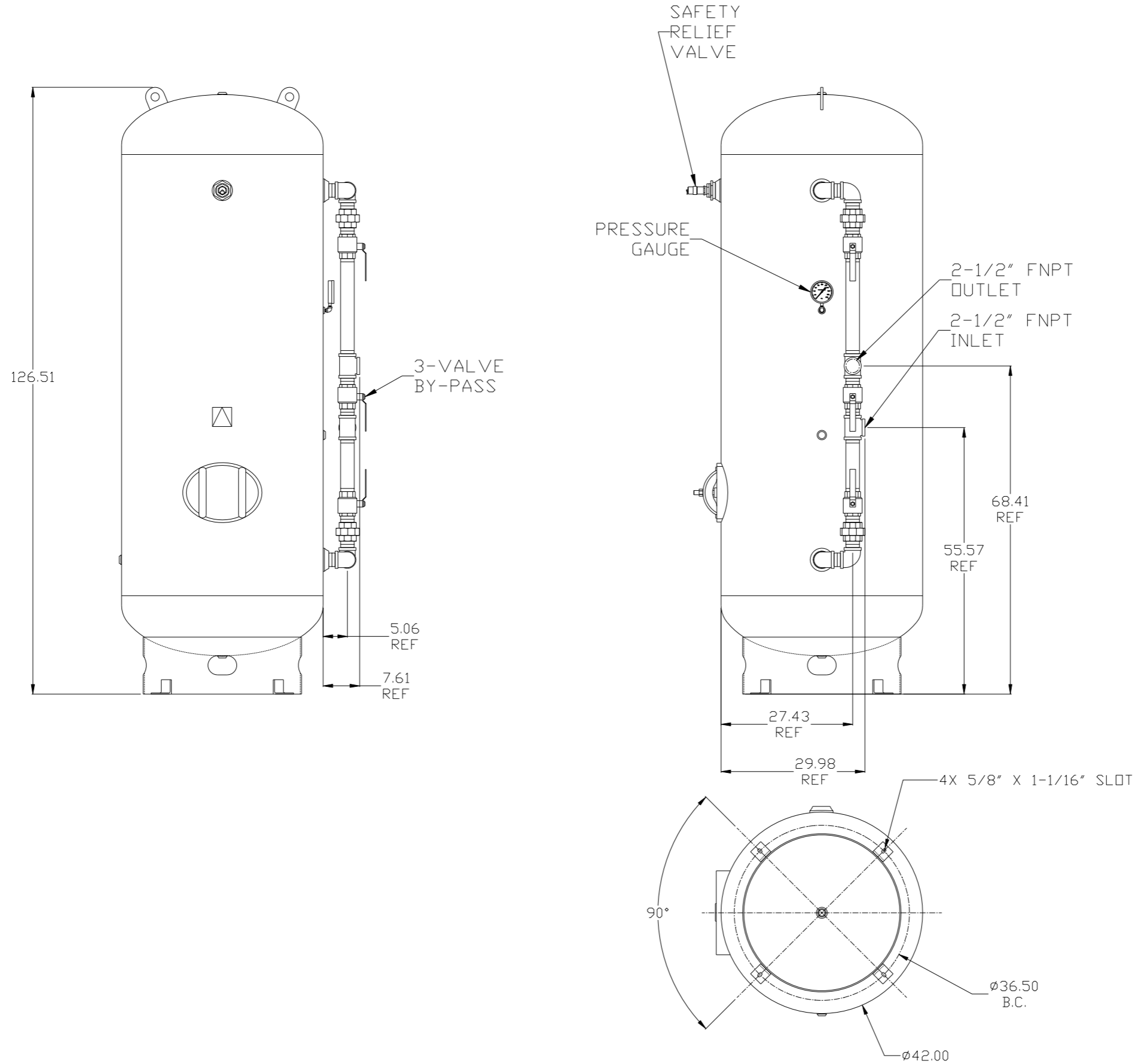
<b>SYMBOL LEGEND</b> ⊖ = MINUS DRAFT ⊕ = PLUS DRAFT TOLERANCES NOT SPECIFIED .XX ± .XXX ± <math>\angle</math> (DEG) ±		= ADDITIONAL CONTROL REQ'D = BRINELL HARDNESS		Drawings to conform to the current revision of the following ANSI standards: Y14.3 Multi and sectional view dgs. Y14.5M Dimensioning and tolerancing
AUTOCAD REL2014 LT INCH		DO NOT SCALE DRAWING FOR DIMENSIONS Sheet 1 of 5 SCALE 1:17		
<b>CONFIDENTIAL DISCLOSURE</b> This drawing is the property of POWEREX, INC. of the SCOTT FEITZER COMPANY and subject to return on demand. Its contents are confidential and must not be copied or submitted to outside parties for use or examination.				
DRAWN BY MJD	CHECKED BY AEK	APPROVED BY JAA	MFG/MKTG CT	
MATERIAL N/A		<b>POWEREX</b> 150 PRODUCTION DRIVE, HARRISON, OHIO 45030 Ph: 888-769-7979 FAX: (513) 367-3125		
PART NAME 50HP CLAW ENCLOSED COMPRESSOR QUADPLEX		DWG NO MQR0508	SIZE D	
660GAL DUAL DESICCANT PACKAGE				

8 7 6 5 4 3 2 1

MQR0508.dwg

8 7 6 5 4 3 2 1

REV	ZONE	REVISION	DATE	ECN	NAME	CHKD
B-1	ALL	RELEASE FOR PRODUCTION	01/28/16	PKEC0141	MJD	AEK
C-1	35 ALL	UPDATED TO MAND NDL DRYERS	8/18/17	PKEC0174	AEK	GES

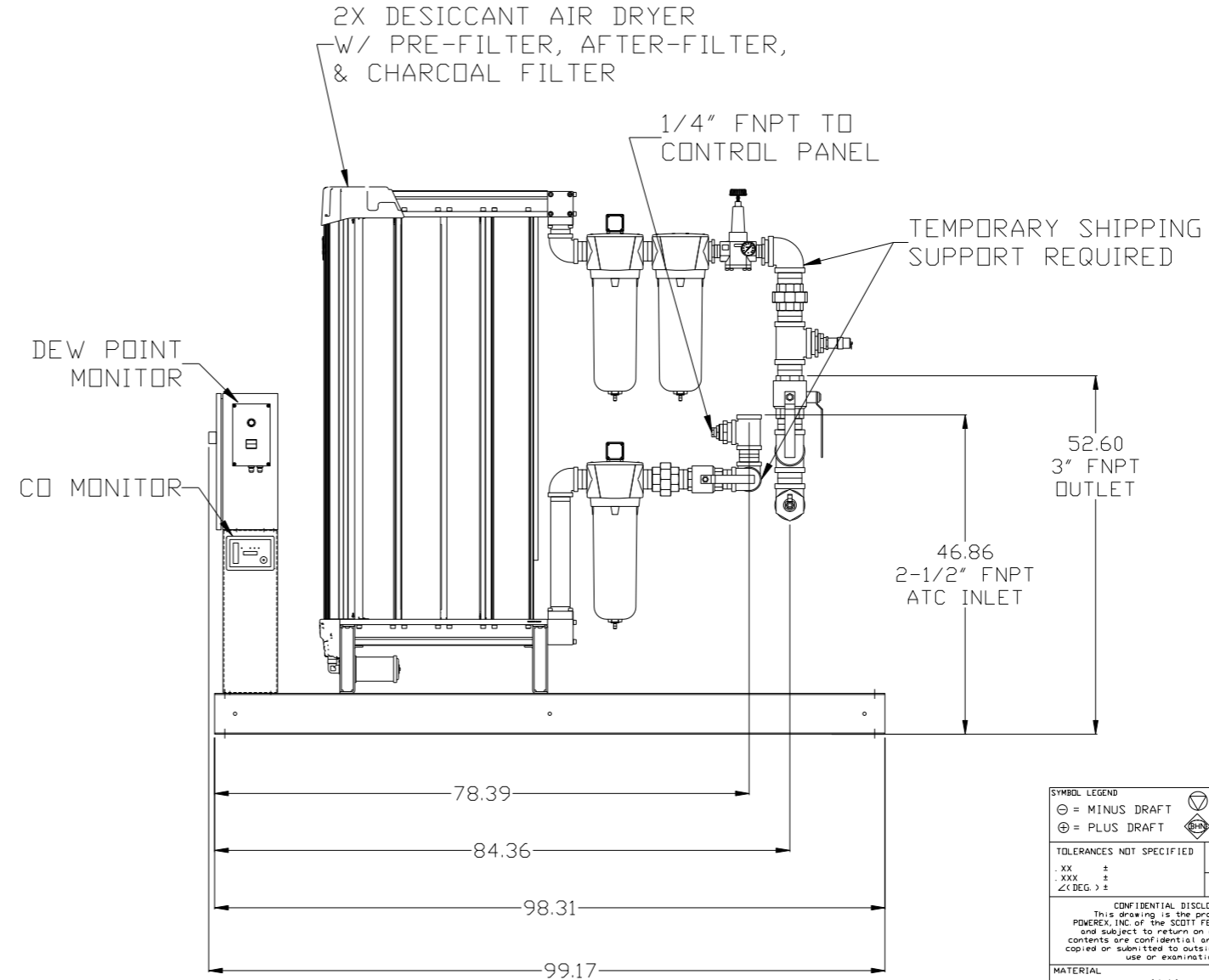
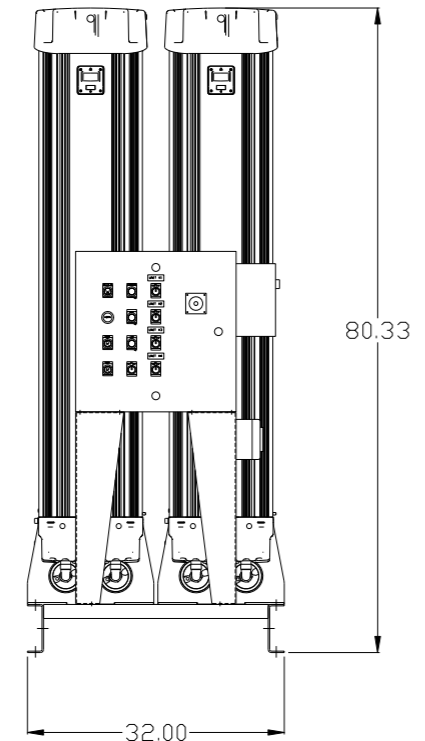
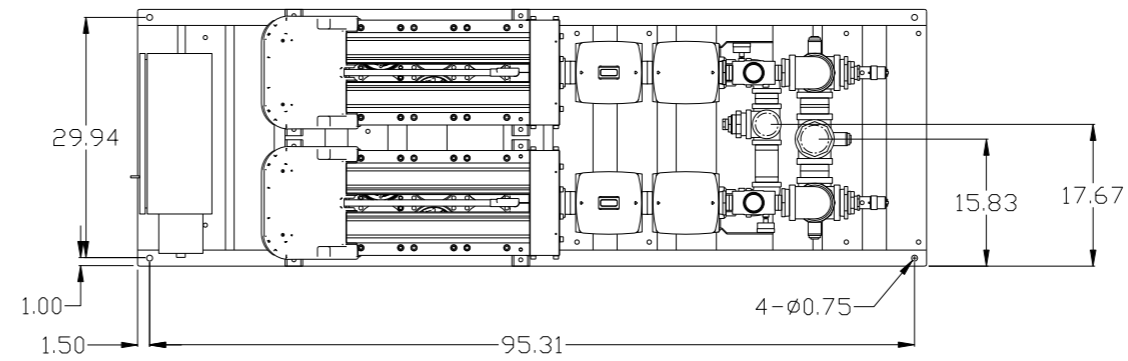


<b>SYMBOL LEGEND</b> ⊖ = MINUS DRAFT ⊕ = PLUS DRAFT <math>\pm</math> = TOLERANCE <math>\angle</math> = ANGLE <math>\text{HRC}</math> = BRINELL HARDNESS <math>\text{REQ'D}</math> = ADDITIONAL CONTROL REQ'D		Drawings to conform to the current revision of the following ANSI standards: Y14.3 Multi and sectional view dsgs. Y14.5M Dimensioning and tolerancing												
TOLERANCES NOT SPECIFIED .XX ± .XXX ± <math>\angle</math> (DEG.) ±	AUTOCAD REL2014 LT INCH	DO NOT SCALE DRAWING FOR DIMENSIONS Sheet 2 of 5 SCALE 1:17												
<b>CONFIDENTIAL DISCLOSURE</b> This drawing is the property of POWEREX, INC. of the SCOTT FETZER COMPANY and subject to return on demand. Its contents are confidential and must not be copied or submitted to outside parties for use or examination.														
MATERIAL N/A	PART NAME 50HP CLAW ENCLOSED COMPRESSOR QUADPLEX 660GAL DUAL DESICCANT PACKAGE	<table border="1"> <tr> <th>DRAWN BY</th> <th>CHECKED BY</th> <th>ENGINEERING</th> <th>MFG/MRKTG</th> </tr> <tr> <td>MJD</td> <td>AEK</td> <td>JAA</td> <td>CT</td> </tr> <tr> <td>01/28/16</td> <td>01/28/16</td> <td>01/28/16</td> <td>1/28/16</td> </tr> </table>	DRAWN BY	CHECKED BY	ENGINEERING	MFG/MRKTG	MJD	AEK	JAA	CT	01/28/16	01/28/16	01/28/16	1/28/16
DRAWN BY	CHECKED BY	ENGINEERING	MFG/MRKTG											
MJD	AEK	JAA	CT											
01/28/16	01/28/16	01/28/16	1/28/16											
DWG NO MQR0508		SIZE D												

8 7 6 5 4 3 2 1

8 7 6 5 4 3 2 1

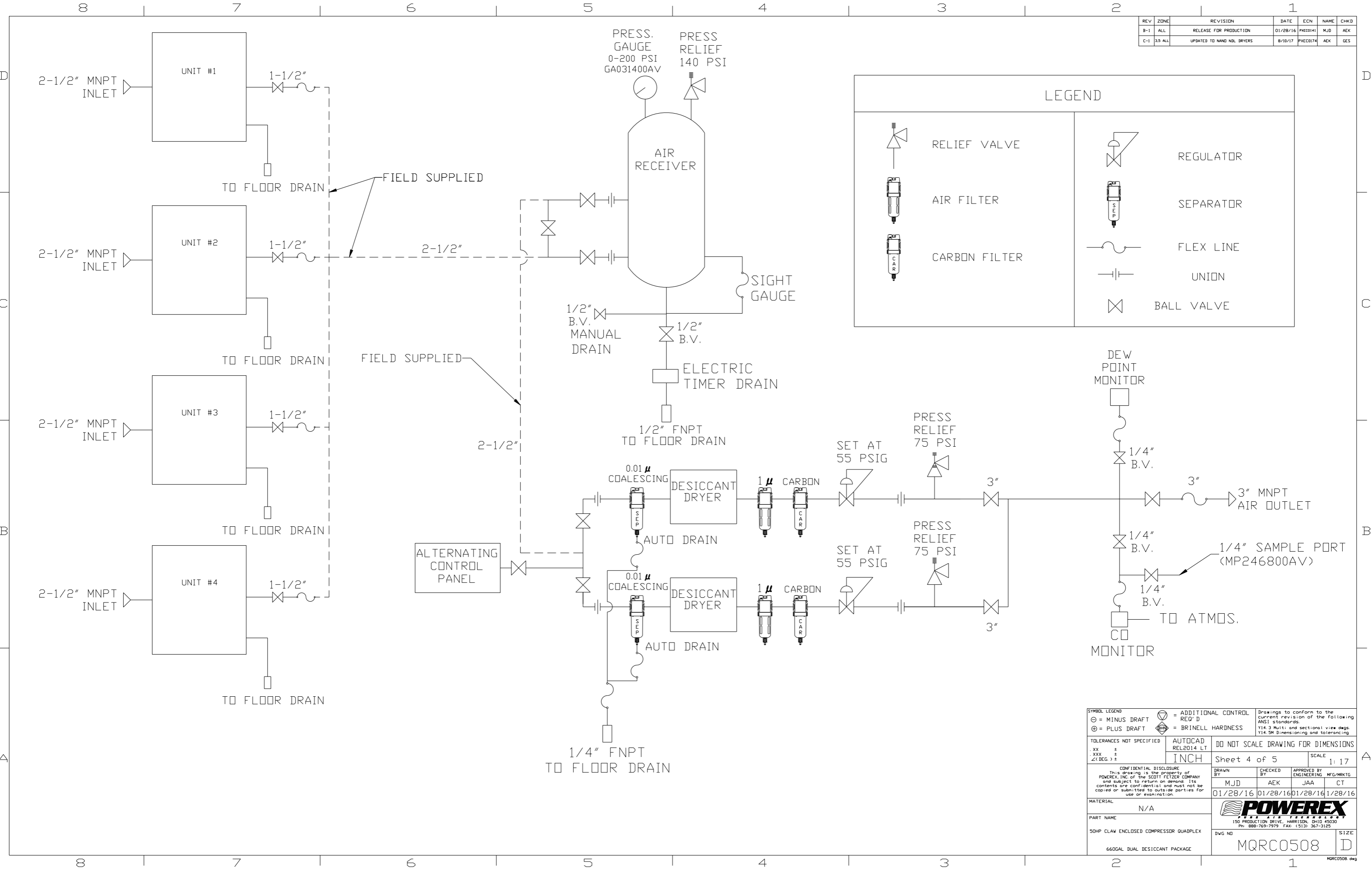
REV	ZONE	REVISION	DATE	ECN	NAME	CHKD
B-1	ALL	RELEASE FOR PRODUCTION	01/28/16	PKEC0141	MJD	AEK
C-1	35 ALL	UPDATED TO NANO NDL DRYERS	8/18/17	PKEC0174	AEK	GES



<b>SYMBOL LEGEND</b> ⊖ = MINUS DRAFT ⊕ = PLUS DRAFT ∅ = ADDITIONAL CONTROL REQ'D HRC = BRINELL HARDNESS		Drawings to conform to the current revision of the following ANSI standards: Y14.3 Multi and sectional view dgs. Y14.5M Dimensioning and tolerancing	
TOLERANCES NOT SPECIFIED .XX ± .XXX ± <math>\angle</math>(DEG) ±		AUTOCAD REL2014 LT INCH	DO NOT SCALE DRAWING FOR DIMENSIONS Sheet 3 of 5 SCALE 1:17
<b>CONFIDENTIAL DISCLOSURE</b> This drawing is the property of POWEREX, INC. of the SCOTT FETZER COMPANY and subject to return on demand. Its contents are confidential and must not be copied or submitted to outside parties for use or examination.			
DRAWN BY MJD	CHECKED BY AEK	APPROVED BY JAA	MFG/MKTG CT
01/28/16	01/28/16	01/28/16	1/28/16
MATERIAL N/A		 150 PRODUCTION DRIVE, HARRISON, OHIO 45030 Ph: 888-769-7979 FAX: (513) 367-3125	
PART NAME 50HP CLAW ENCLOSED COMPRESSOR QUADPLEX		DWG NO MQR0508	SIZE D
660GAL DUAL DESICCANT PACKAGE		MQR0508.dwg	

8 7 6 5 4 3 2 1

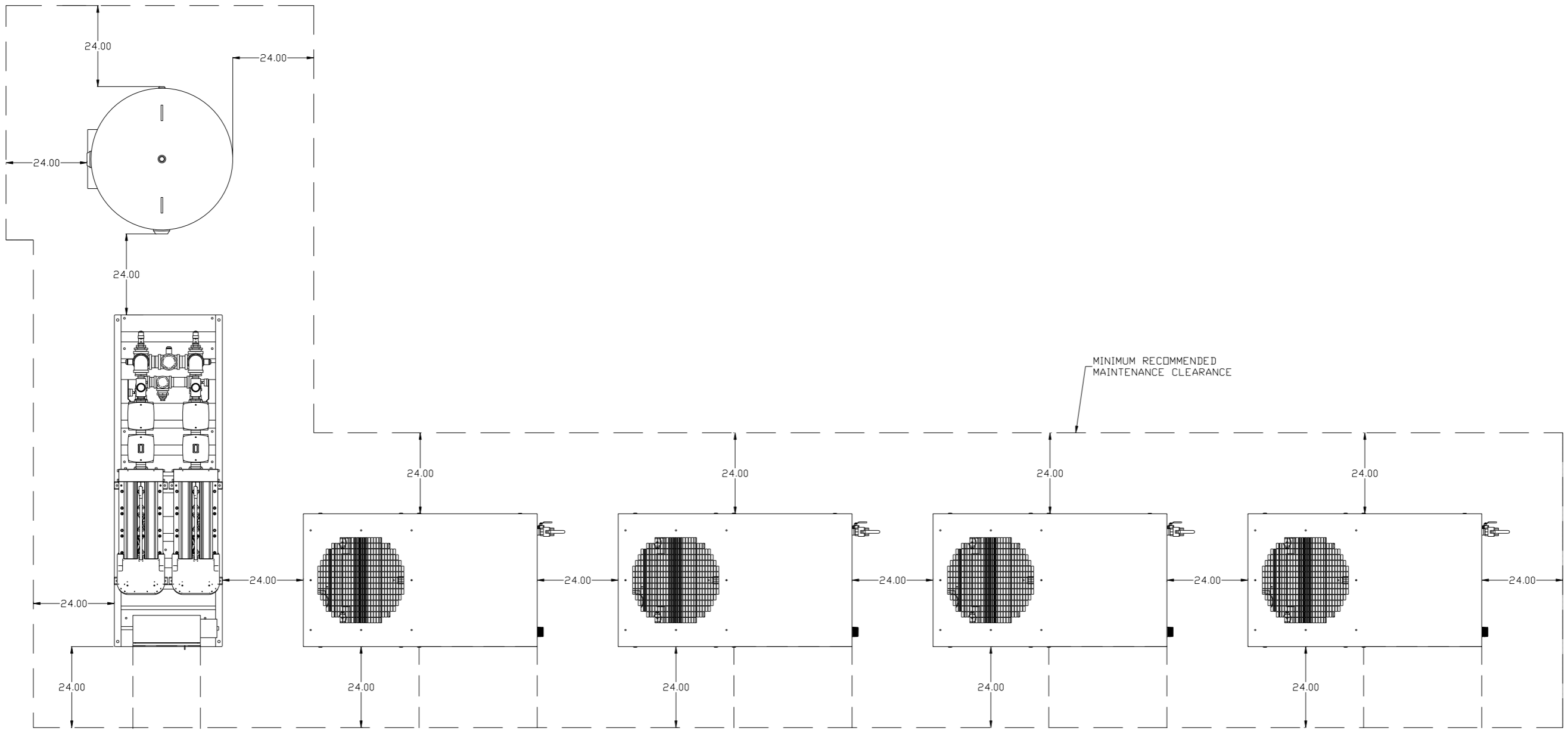
REV	ZONE	REVISION	DATE	ECN	NAME	CHKD
B-1	ALL	RELEASE FOR PRODUCTION	01/28/16	PXEC0141	MJD	AEK
C-1	35 ALL	UPDATED TO MAND NDL DRYERS	8/18/17	PXEC0174	AEK	GES



<b>SYMBOL LEGEND</b> ⊖ = MINUS DRAFT ⊕ = PLUS DRAFT TOLERANCES NOT SPECIFIED .XX ± .XXX ± <DEG> ±		⊕ = ADDITIONAL CONTROL REQ'D HRC = BRINELL HARDNESS		Drawings to conform to the current revision of the following ANSI standards: Y14.3 Multi and sectional view dgs. Y14.5M Dimensioning and tolerancing	
AUTOCAD REL2014 LT INCH		DO NOT SCALE DRAWING FOR DIMENSIONS Sheet 4 of 5 SCALE 1:17		<b>CONFIDENTIAL DISCLOSURE</b> This drawing is the property of POWEREX, INC. of the SCOTT FETZER COMPANY and subject to return on demand. Its contents are confidential and must not be copied or submitted to outside parties for use or examination.	
DRAWN BY MJD CHECKED BY AEK 01/28/16		APPROVED BY JAA CT 01/28/16		APPROVED BY MFG/MKTG 01/28/16	
MATERIAL N/A PART NAME 50HP CLAW ENCLOSED COMPRESSOR QUADPLEX 660GAL DUAL DESICCANT PACKAGE		 150 PRODUCTION DRIVE, HARRISON, OHIO 45030 Ph 888-769-7979 FAX (513) 367-3125		DWG NO MQR0508 SIZE D	

8 7 6 5 4 3 2 1

REV	ZONE	REVISION	DATE	ECN	NAME	CHKD
B-1	ALL	RELEASE FOR PRODUCTION	01/28/16	PKEC0141	MJD	AEK
C-1	35 ALL	UPDATED TO MAND NDL DRYERS	8/18/17	PKEC0174	AEK	GES



MINIMUM RECOMMENDED ELECTRICAL PANEL CLEARANCE PER OSHA/NEC REQUIREMENTS

MINIMUM RECOMMENDED ELECTRICAL PANEL CLEARANCE PER OSHA/NEC REQUIREMENTS

MINIMUM RECOMMENDED ELECTRICAL PANEL CLEARANCE PER OSHA/NEC REQUIREMENTS

MINIMUM RECOMMENDED ELECTRICAL PANEL CLEARANCE PER OSHA/NEC REQUIREMENTS

MINIMUM RECOMMENDED ELECTRICAL PANEL CLEARANCE PER OSHA/NEC REQUIREMENTS

MINIMUM RECOMMENDED MAINTENANCE CLEARANCE

<b>SYMBOL LEGEND</b> ⊖ = MINUS DRAFT ⊕ = PLUS DRAFT TOLERANCES NOT SPECIFIED .XX ± .XXX ± <<DEG> ±		⊕ = ADDITIONAL CONTROL REQ'D HRC = BRINELL HARDNESS		Drawings to conform to the current revision of the following ANSI standards: Y14.3 Multi and sectional view dgs. Y14.5M Dimensioning and tolerancing	
AUTOCAD REL2014 LT INCH		DO NOT SCALE DRAWING FOR DIMENSIONS Sheet 5 of 5 SCALE 1:17			
<b>CONFIDENTIAL DISCLOSURE</b> This drawing is the property of POWEREX, INC. of the SCOTT FETZER COMPANY and subject to return on demand. Its contents are confidential and must not be copied or submitted to outside parties for use or examination.					
DRAWN BY MJD		CHECKED BY AEK		APPROVED BY JAA CT	
DATE 01/28/16		DATE 01/28/16		DATE 01/28/16	
MATERIAL N/A		 150 PRODUCTION DRIVE, HARRISON, OHIO 45030 Ph 888-769-7979 FAX (513) 367-3125			
PART NAME 50HP CLAW ENCLOSED COMPRESSOR QUADPLEX		DWG NO MQRC0508		SIZE D	
660GAL DUAL DESICCANT PACKAGE		MQRC0508.dwg			

8 7 6 5 4 3 2 1