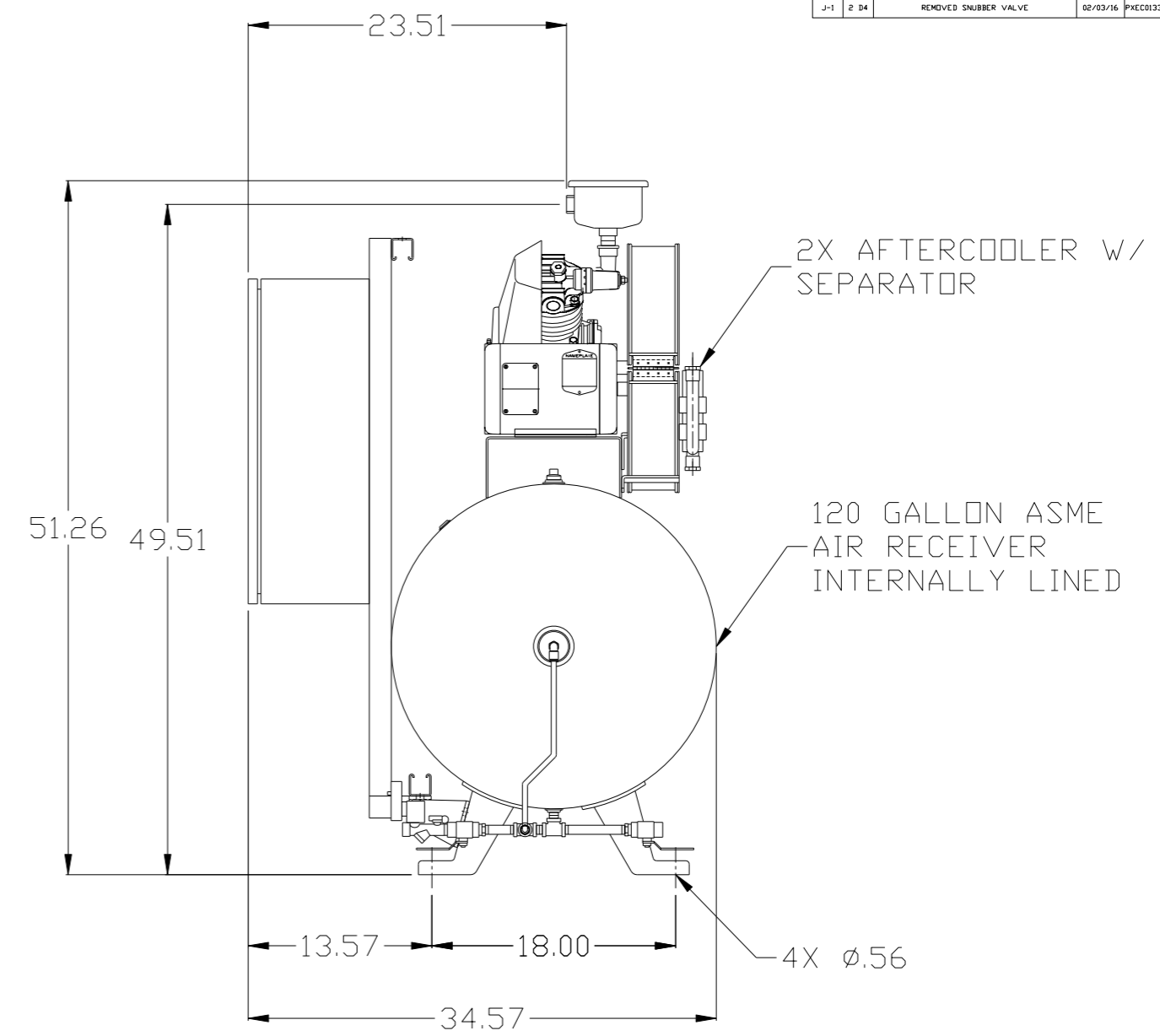
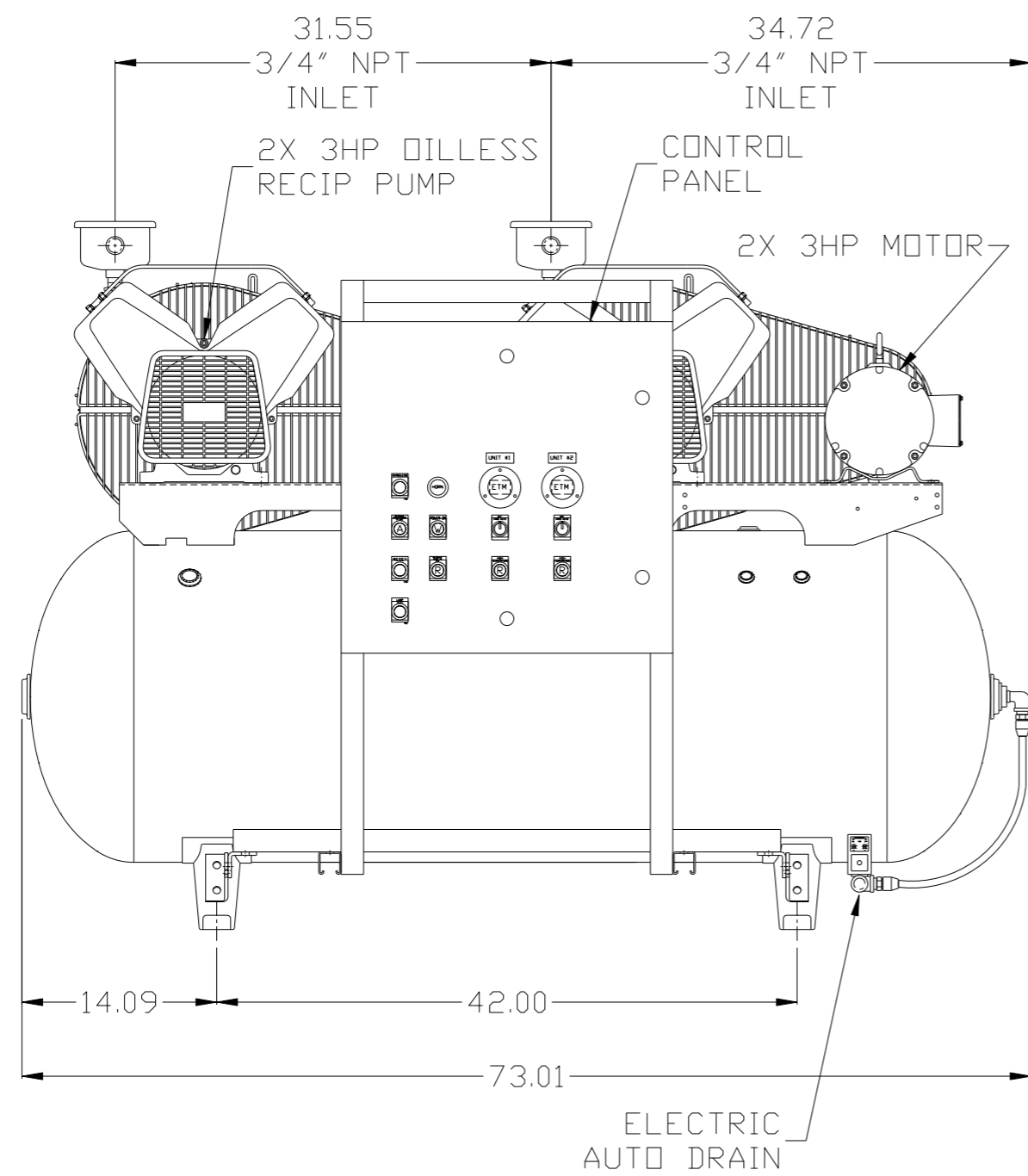


REV	ZONE	REVISION	DATE	ECN	NAME	CHKD
B-1	ALL	RELEASE TO PRODUCTION	7/27/06	21555	RSN	GES
C-1	2 C-3	ADDED MANUAL DRAIN	12/10/07	21669	DMS	GES
D-1	2 ALL	UPDATED FLOW TO CURRENT BUILD STANDARD	12/17/08	21907	AEK	GES
E-1	ALL	CHANGED INLET LOCATION TO REFLECT CURRENT PRODUCTION	6/9/09	22127	AEK	GES
F-1	1 ALL	REMOVED INCORRECT OUTLET	9/22/10	22348	AEK	GES
G-1	2 C4	ADDED SNUBBER VALVE	5/21/13	PXEC0030	AEK	GES
	2 ALL	UPDATED/ADDED FLEX LINES				
H-1	1 ALL	CORRECTED CONTROL PANEL MOUNTING	4/15/14	PXEC0067	AEK	GES
J-1	2 D4	REMOVED SNUBBER VALVE	02/03/16	PXEC0133	MJD	AEK



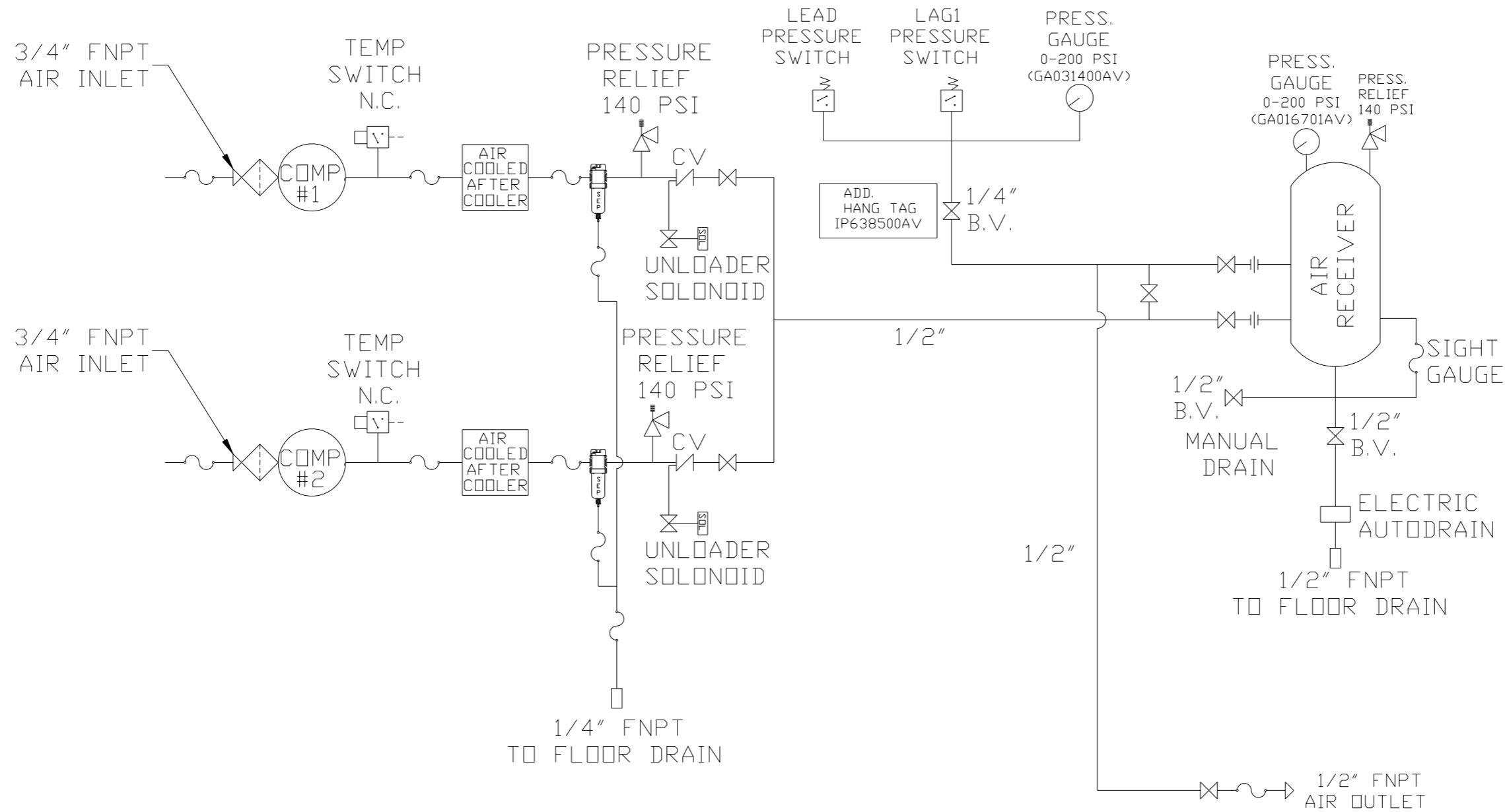
NOTES: BYPASS PLUMBING NOT SHOWN

NOTE: A MINIMUM OF 24" CLEARANCE IS RECOMMENDED AROUND THE ENTIRE UNIT.

NOTE: SYSTEM DESIGNED IN COMPLIANCE WITH U.S. NFPA'99 LATEST EDITION

SYMBOL LEGEND ⊖ = MINUS DRAFT ⊕ = PLUS DRAFT TOLERANCES NOT SPECIFIED .XX ± .XXX ± <<DEG>> ±		⊕ = ADDITIONAL CONTROL REQ'D HB = BRINELL HARDNESS		Drawings to conform to the current revision of the following ANSI standards: Y14.3 Multi and sectional view dsgs. Y14.5M Dimensioning and tolerancing	
AUTOCAD REL2000 INCH		DO NOT SCALE DRAWING FOR DIMENSIONS Sheet 1 of 2 SCALE 1:6		CONFIDENTIAL DISCLOSURE This drawing is the property of POWEREX, INC. of the SCOTT FETZER COMPANY and subject to return on demand. Its contents are confidential and must not be copied or submitted to outside parties for use or examination.	
DRAWN BY GES		CHECKED BY GES		APPROVED BY ENGINEERING MFG/MKTG GES DB	
MATERIAL N/A		DATE 6/17/05		DATE 6/17/05	
PART NAME 3HP OL RECIP DUPLEX 120GAL TANKMOUNT		 150 PRODUCTION DRIVE, HARRISON, OHIO 45030 Ph 888-769-7979 FAX (513) 367-3125		DWG NO MTD0304	
				SIZE D	

REV	ZONE	REVISION	DATE	ECN	NAME	CHKD
B-1	ALL	RELEASE TO PRODUCTION	7/27/06	21555	RSN	GES
C-1	2 C-3	ADDED MANUAL DRAIN	12/10/07	21669	DMS	GES
D-1	2 ALL	UPDATED FLOW TO CURRENT BUILD STANDARD	12/17/08	21907	AEK	GES
E-1	ALL	CHANGED INLET LOCATION TO REFLECT CURRENT PRODUCTION	6/9/09	22127	AEK	GES
F-1	1 ALL	REMOVED INCORRECT OUTLET	9/22/10	22348	AEK	GES
G-1	2 C4	ADDED SNUBBER VALVE	5/21/13	PXEC0030	AEK	GES
	2 ALL	UPDATED/ADDED FLEX LINES				
H-1	1 ALL	CORRECTED CONTROL PANEL MOUNTING	4/15/14	PXEC0067	AEK	GES
J-1	2 D4	REMOVED SNUBBER VALVE	02/03/16	PXEC0133	MJD	AEK



LEGEND

	INTAKE FILTER		CHECK VALVE
	PRESSURE SWITCH		SEPERATOR
	BALL VALVE		FLEX LINE
	UNION		SOLENOID VALVE

NOTES:

- 1) IF LAG 1 COMPRESSOR IS ENERGIZED ALARM WILL OCCUR.
- 2) PIPING TO THE INLET BY OTHERS AND TO BE PER NFPA99
- 3) INSTRUMENTS DOWN STREAM OF SOURCE VALVE TO BE SUPPLIED BY OTHERS.

SYMBOL LEGEND			= ADDITIONAL CONTROL REQ'D		Drawings to conform to the current revision of the following ANSI standards	
	= MINUS DRAFT		= BRINELL HARDNESS		Y14.3 Multi and sectional view dsgs. Y14.5M Dimensioning and tolerancing	
TOLERANCES NOT SPECIFIED		AUTOCAD REL2000:	DO NOT SCALE DRAWING FOR DIMENSIONS		SCALE	
.XX ±		INCH	Sheet 2 of 2		1: 6	
.XXX ±						
<<DEG >> ±						
CONFIDENTIAL DISCLOSURE						
This drawing is the property of POWEREX, INC. of the SCOTT FETZER COMPANY and subject to return on demand. Its contents are confidential and must not be copied or submitted to outside parties for use or examination.						
DRAWN BY		CHECKED BY	APPROVED BY	MFG/MKTG		
GES		GES	GES	DB		
6/17/05		6/17/05	6/17/05	6/17/05		
MATERIAL		N/A				
PART NAME		DUPLEX DL RECIP TANKMOUNT		150 PRODUCTION DRIVE, HARRISON, OHIO 45030 Ph 888-769-7979 FAX (513) 367-3125		
FLOW SCHEMATIC		DWG NO		MTD0304		SIZE
						D