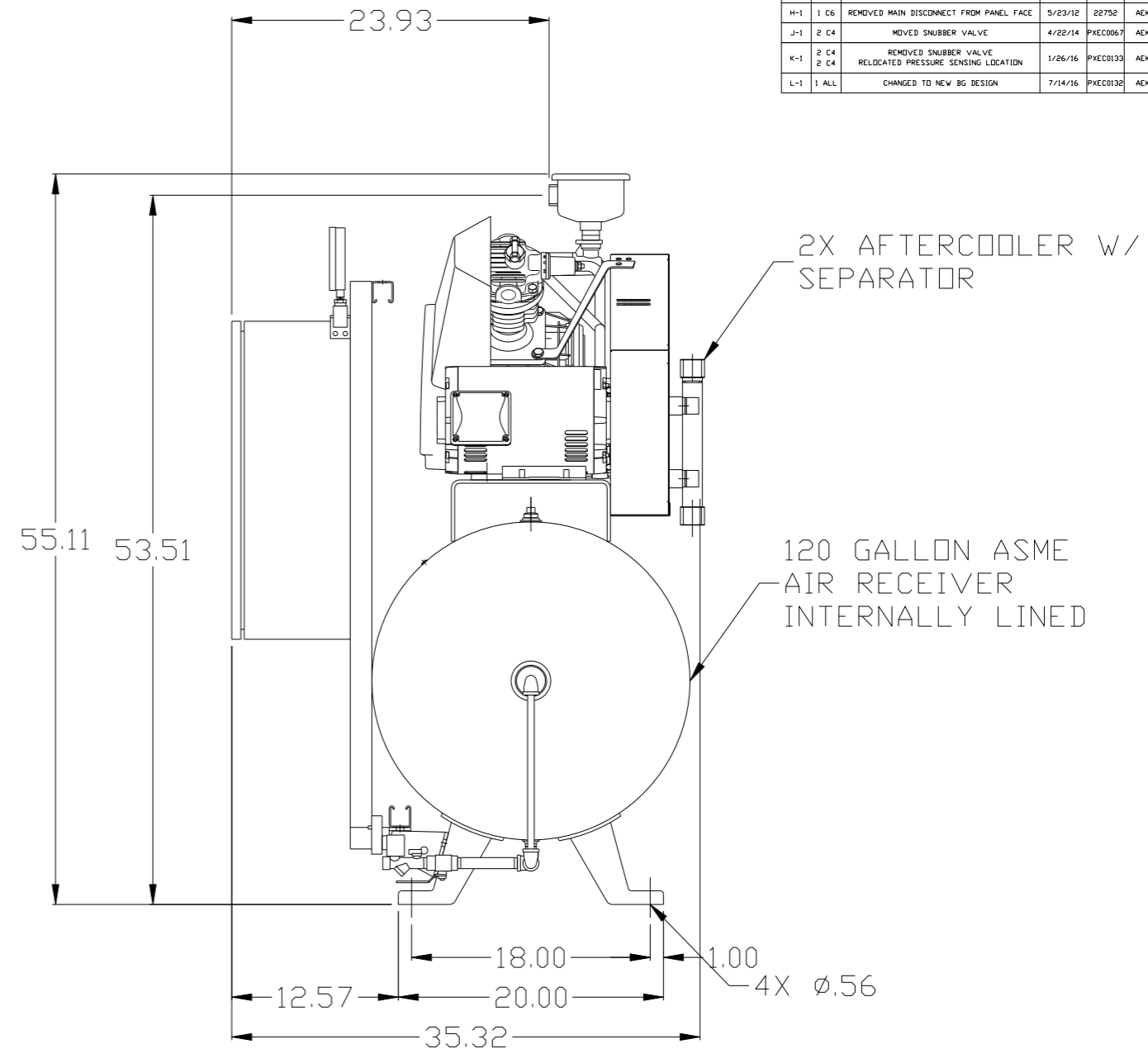
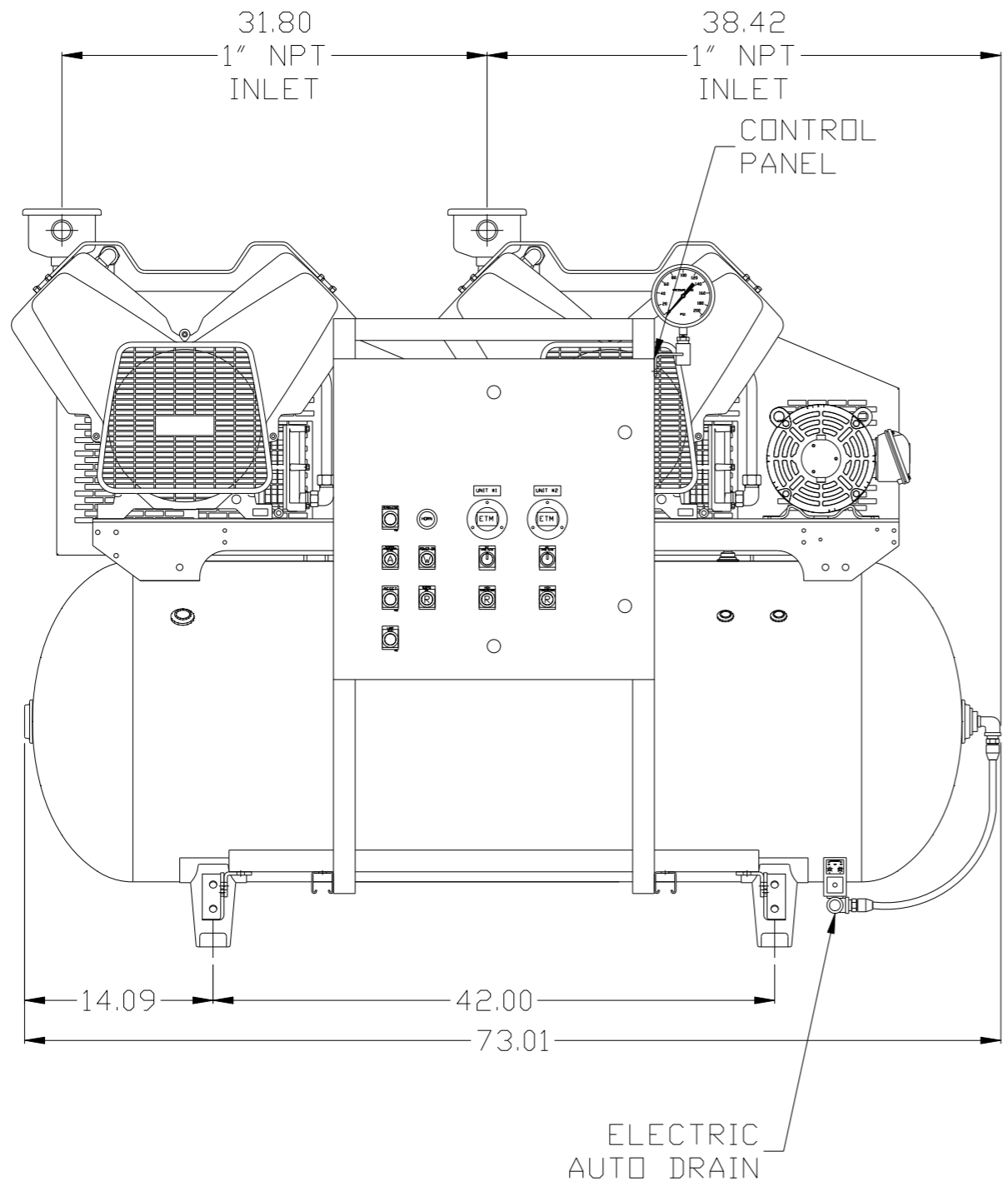


REV	ZONE	REVISION	DATE	ECN	NAME	CHKD
B-1	ALL	RELEASE TO PRODUCTION	7/27/06	21555	RSN	GES
B-2	2-ALL	ADDED FLOW SCHEMATIC SHEET 2	8/26/05	21484	GES	GES
B-3	2B,3,5,7	ADDED 6" x 6" x 1" VIBRATION PADS	12/15/05	21484	RSN	DMS
C-1	C-3	ADD MANUAL DRAIN	09/24/07	21669	DMS	GES
D-1	D3,D4	ADDED ISD VALVE, HANG TAG, TANK GAUGE	02/08/08	21907	DMS	GES
E-1	2-ALL	UPDATED FLOW TO CURRENT PRODUCTION	5/29/09	22127	AEK	GES
E-2	ALL	CHANGED INLET LOCATION TO REFLECT CURRENT PRODUCTION	6/9/09	22127	AEK	GES
F-1	1 ALL	ADDED SIGHT GAUGE	9/22/10	22348	AEK	GES
G-1	1 ALL	CORRECTED INLET SIZE CALLOUT TO 1" NPT	3/11/11	22546	AEK	GES
G-2	1 ALL	CORRECTED PANEL MOUNTING	5/4/11	22546	AEK	GES
H-1	1 C6	REMOVED MAIN DISCONNECT FROM PANEL FACE	5/23/12	22752	AEK	GES
J-1	2 C4	MOVED SNUBBER VALVE	4/22/14	PXEC0067	AEK	GES
K-1	2 C4 2 C4	REMOVED SNUBBER VALVE RELOCATED PRESSURE SENSING LOCATION	1/26/16	PXEC0133	AEK	GES
L-1	1 ALL	CHANGED TO NEW BG DESIGN	7/14/16	PXEC0132	AEK	GES



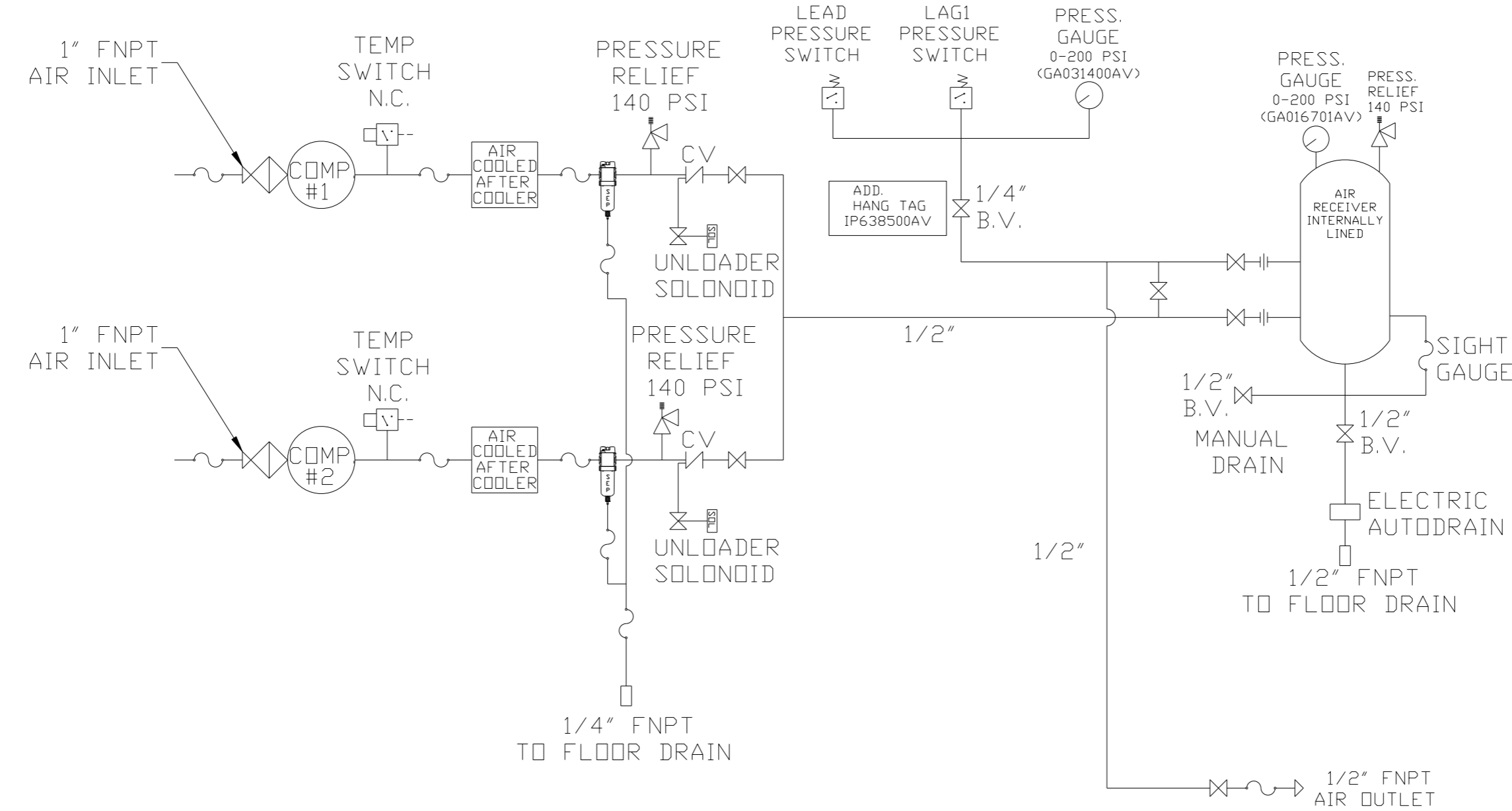
NOTE: A MINIMUM OF 24" CLEARANCE IS RECOMMENDED AROUND THE ENTIRE UNIT.

NOTE: SYSTEM DESIGNED IN COMPLIANCE WITH U.S. NFPA'99, LATEST EDITION

<b>SYMBOL LEGEND</b> ⊖ = MINUS DRAFT ⊕ = PLUS DRAFT TOLERANCES NOT SPECIFIED .XX ± .XXX ± <math>\angle</math>(DEG) ±		⊕ = ADDITIONAL CONTROL REQ'D HRC = BRINELL HARDNESS Drawings to conform to the current revision of the following ANSI standards: Y14.3 Multi and sectional view dgs. Y14.5M Dimensioning and tolerancing	
AUTOCAD REL2000 INCH		DO NOT SCALE DRAWING FOR DIMENSIONS Sheet 2 of 2 SCALE 1:6	
<b>CONFIDENTIAL DISCLOSURE</b> This drawing is the property of POWEREX, INC. of the SCOTT FETZER COMPANY and subject to return on demand. Its contents are confidential and must not be copied or submitted to outside parties for use or examination.			
DRAWN BY: RSN CHECKED BY: GES 08/24/05		APPROVED BY: ENGINEERING MFG/MKTG DMS JJ 3/14/06 3/14/06 3/14/06	
MATERIAL: N/A PART NAME: SHP. DUPLEX 120 GALLON		 150 PRODUCTION DRIVE, HARRISON, OHIO 45030 Ph: 888-769-7979 FAX: (513) 367-3125 DWG NO: MTD0504 SIZE: D	

8 7 6 5 4 3 2 1

REV	ZONE	REVISION	DATE	ECN	NAME	CHKD
B-1	ALL	RELEASE TO PRODUCTION	07/27/06	21555	RSN	GES
B-2	2-ALL	ADDED FLOW SCHEMATIC SHEET 2.	8/26/05	21484	GES	GES
B-3	B2.3.5.7	ADDED 6" x 6" x 1" VIBRATION PADS	12/15/05	21484	RSN	DMS
C-1	C-3	ADD MANUAL DRAIN	09/24/07	21669	DMS	GES
D-1	D3.D4	ADDED ISD VALVE, HANG TAG, TANK GAUGE	02/08/08	21907	DMS	GES
E-1	2-ALL	UPDATED FLOW TO CURRENT PRODUCTION	5/29/09	22127	AEK	GES
E-2	ALL	CHANGED INLET LOCATION TO REFLECT CURRENT PRODUCTION	6/9/09	22127	AEK	GES
F-1	1 ALL	ADDED SIGHT GAUGE	9/22/10	22348	AEK	GES
G-1	1 ALL	CORRECTED INLET SIZE CALLOUT TO 1" NPT	3/11/11	22546	AEK	GES
G-2	1 ALL	CORRECTED PANEL MOUNTING	5/4/11	22546	AEK	GES
H-1	1 C6	REMOVED MAIN DISCONNECT FROM PANEL FACE	5/23/12	22752	AEK	GES
J-1	2 C4	MOVED SNUBBER VALVE	4/22/14	PXEC0067	AEK	GES
K-1	2 C4	REMOVED SNUBBER VALVE				
	2 C4	RELOCATED PRESSURE SENSING LOCATION	1/26/16	PXEC0133	AEK	GES
L-1	1 ALL	CHANGED TO NEW BG DESIGN	7/14/16	PXEC0132	AEK	GES



LEGEND

	INTAKE FILTER		CHECK VALVE
	DIVERTER VALVE		SEPERATOR
	BALL VALVE		FLEX JOINT
			SOLENOID VALVE

- NOTES:
- 1) IF LAG 1 COMPRESSOR IS ENERGIZED ALARM WILL OCCUR.
  - 2) PIPING TO THE INLET BY OTHERS AND TO BE PER NFPA99
  - 3) INSTRUMENTS DOWN STREAM OF SOURCE VALVE TO BE SUPPLIED BY OTHERS.

SYMBOL LEGEND			= ADDITIONAL CONTROL REQ'D		Drawings to conform to the current revision of the following ANSI standards	
	= MINUS DRAFT		= BRINELL HARDNESS		Y14.3 Multi and sectional view dgs. Y14.5M Dimensioning and tolerancing	
TOLERANCES NOT SPECIFIED		AUTOCAD REL2000	DO NOT SCALE DRAWING FOR DIMENSIONS		Sheet 1 of 2	
.XX ±	.XXX ±	INCH	SCALE		1:6	
CONFIDENTIAL DISCLOSURE		This drawing is the property of POWEREX, INC. or the SCOTT FEITZER COMPANY and subject to return on demand. Its contents are confidential and must not be copied or submitted to outside parties for use or examination.		DRAWN BY		CHECKED BY
				RSN		GES
				APPROVED BY		ENGINEERING
				08/24/05		3/14/06
				3/14/06		3/14/06
MATERIAL		N/A				
PART NAME		5HP. DUPLEX FLOW SCHEMATIC		DWG NO		MTD0504
				SIZE		D

8 7 6 5 4 3 2 1