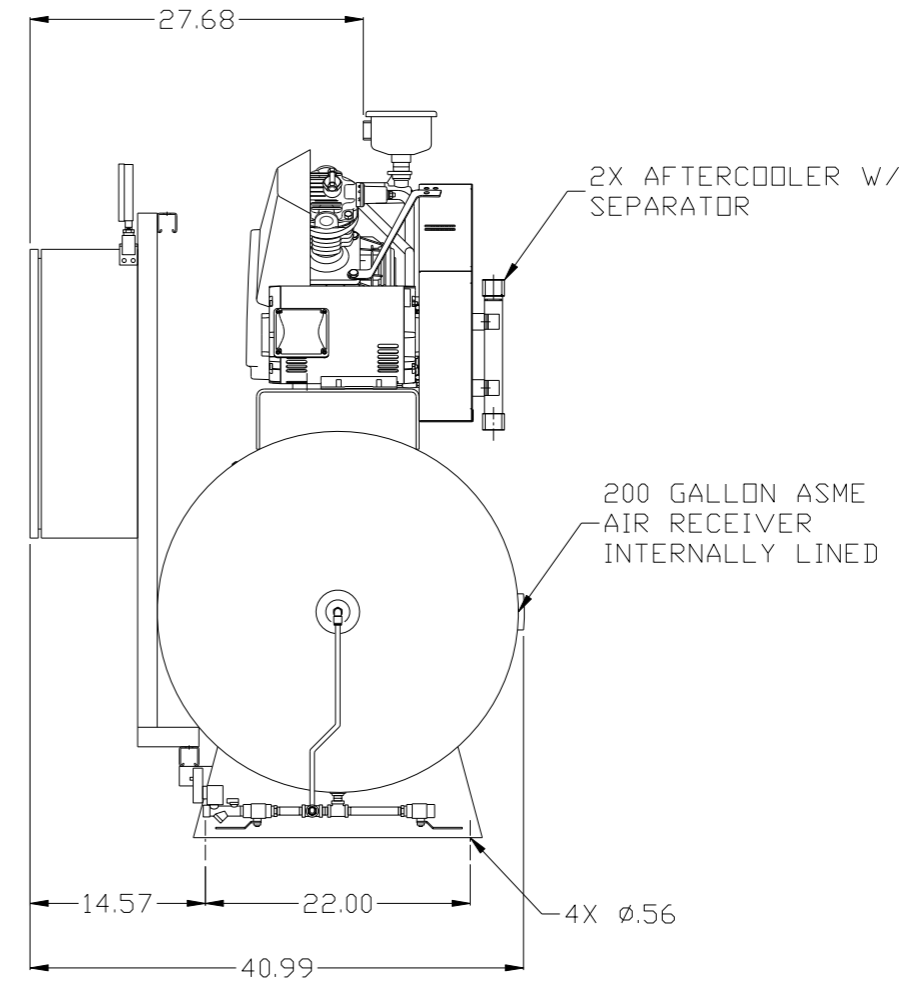
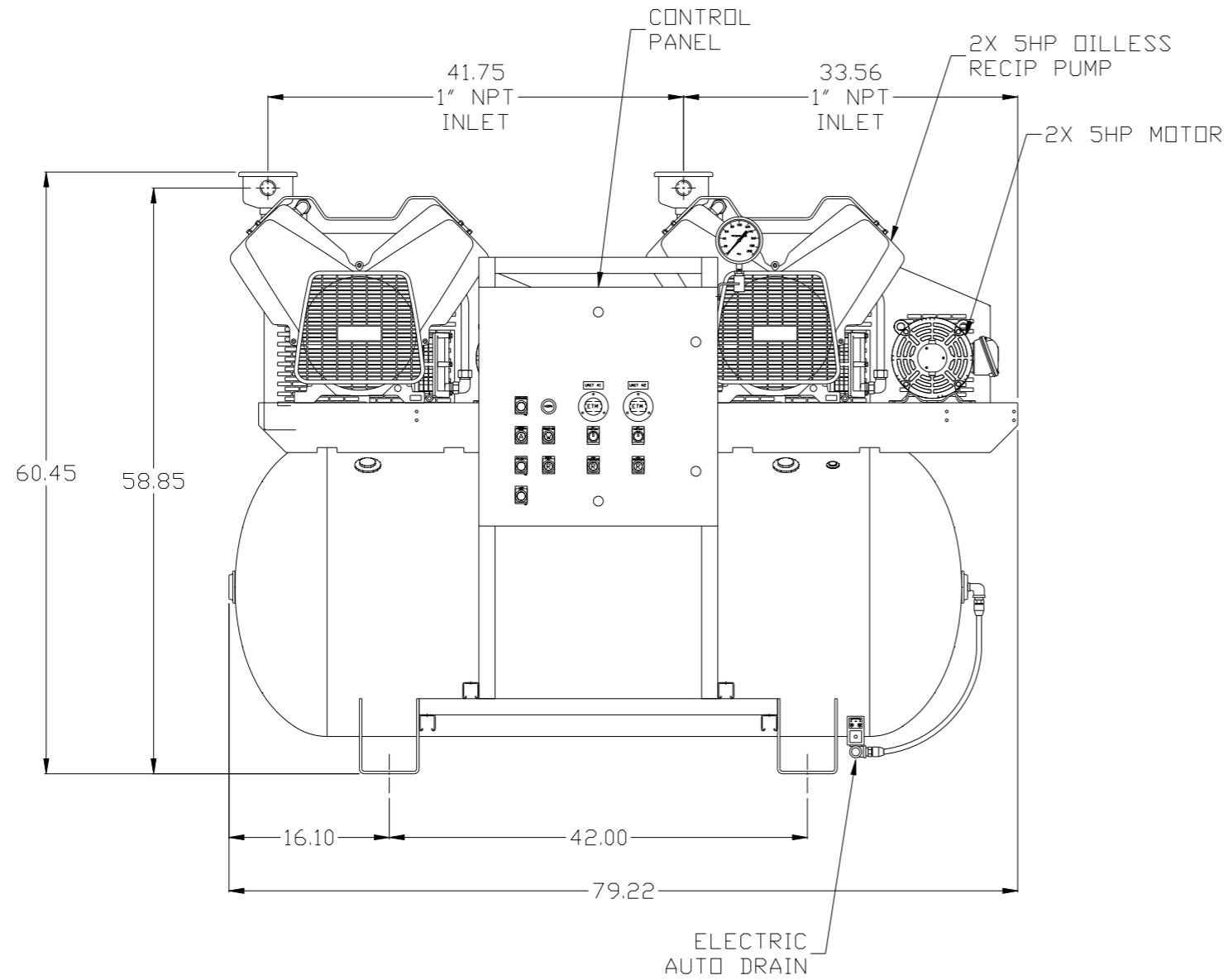


REV	ZONE	REVISION	DATE	ECN	NAME	CHKD
B-1	ALL	RELEASE TO PRODUCTION	07/27/06	21555	RSN	GES
C-1	ALL	UPDATED BUILD & FLOW TO CURRENT STANDARDS	9/30/08	21907	AEK	GES
D-1	ALL	CHANGED INLET LOCATION TO REFLECT CURRENT PRODUCTION	6/9/09	22127	AEK	GES
E-1	1 ALL	ADDED SIGHT GAUGE	9/22/10	22348	AEK	GES
F-1	2 C4	CHANGED SENSING LOCATION	02/03/16	PXEC0133	MJD	AEK
G-1	1 ALL	CHANGED TO NEW BG DESIGN	7/14/16	PXEC0133	AEK	GES



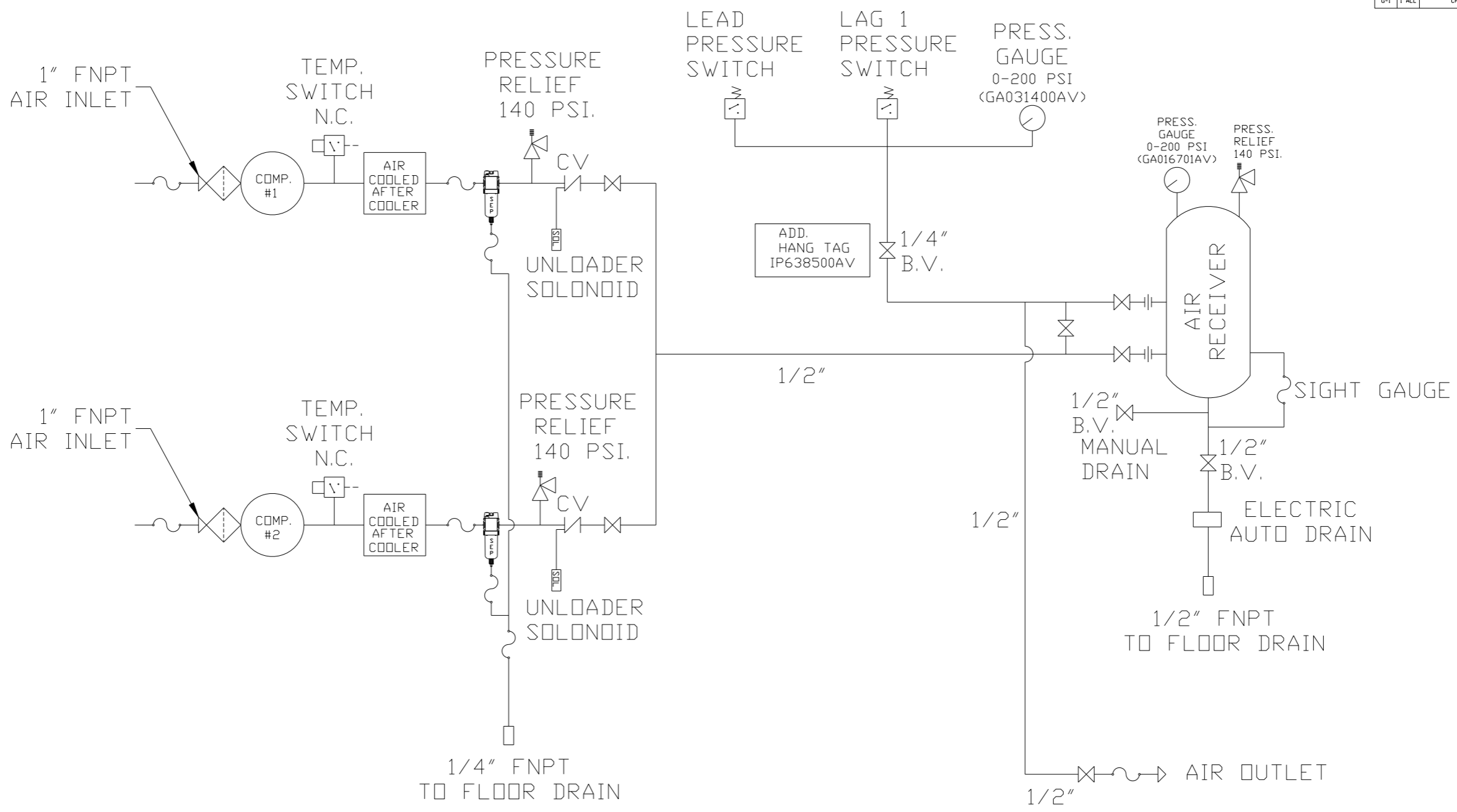
NOTE: BYPASS PLUMBING NOT SHOWN FOR CLARITY

NOTE: A MINIMUM OF 24" CLEARANCE IS RECOMMENDED AROUND THE ENTIRE UNIT.

NOTE: SYSTEM DESIGNED IN COMPLIANCE WITH U.S. NFPA'99, LATEST EDITION

SYMBOL LEGEND		= ADDITIONAL CONTROL REQ'D		Drawings to conform to the current revision of the following ANSI standards:	
⊖	MINUS DRAFT	⊕	PLUS DRAFT	⊖	BRINELL HARDNESS
TOLERANCES NOT SPECIFIED		AUTOCAD REL2000:		DO NOT SCALE DRAWING FOR DIMENSIONS	
.XX ±		INCH		Sheet 1 of 2	
.XXX ±				SCALE 1:8	
<<DEG>> ±					
CONFIDENTIAL DISCLOSURE This drawing is the property of the CAMPBELL GROUP OF THE SCOTT FETZER COMPANY and subject to return on demand. Its contents are confidential and must not be copied or submitted to outside parties for use or examination.					
DRAWN BY		CHECKED BY		APPROVED BY	
GES		GES		GES DB	
6/17/05		6/17/05		6/17/05 6/17/05	
MATERIAL		N/A		 150 PRODUCTION DRIVE, HARRISON, OHIO 45030 Ph: 888-769-7979 FAX: (513) 367-3125	
PART NAME		5HP. DUPLEX		SIZE	
200GAL. TANKMOUNT				D	
DWG NO		MTD0505		ntd0505.dwg	

REV	ZONE	REVISION	DATE	ECN	NAME	CHKD
B-1	ALL	RELEASE TO PRODUCTION	07/27/06	21555	RSN	GES
C-1	ALL	UPDATED BUILD & FLOW TO CURRENT STANDARDS	9/30/08	21907	AEK	GES
D-1	ALL	CHANGED INLET LOCATION TO REFLECT CURRENT PRODUCTION	6/9/09	22127	AEK	GES
E-1	1 ALL	ADDED SIGHT GAUGE	9/22/10	22348	AEK	GES
F-1	2 C4	CHANGED SENSING LOCATION	02/03/16	PXEC0133	MJD	AEK
G-1	1 ALL	CHANGED TO NEW BG DESIGN	7/14/16	PXEC0133	AEK	GES



LEGEND	
	INTAKE FILTER
	CHECK VALVE
	DIVERTER VALVE
	BALL VALVE
	SEPERATOR
	FLEX JOINT
	SOLENOID VALVE

NOTES:
 1) IF LAG 1 COMPRESSOR IS ENERGIZED ALARM WILL OCCUR.
 2) PIPING TO THE INLET BY OTHERS AND TO BE PER NFPA99
 3) INSTRUMENTS DOWN STREAM OF VALVE TO BE SUPPLIED BY OTHERS.

SYMBOL LEGEND			Drawings to conform to the current revision of the following ANSI standards	
	MINUS DRAFT		Y14.3 Multi and sectional view dgs. Y14.5M Dimensioning and tolerancing	
TOLERANCES NOT SPECIFIED		AUTOCAD REL2000	DO NOT SCALE DRAWING FOR DIMENSIONS	
.XX ±	.XXX ±	INCH	Sheet 2 of 2	SCALE 1:8
CONFIDENTIAL DISCLOSURE This drawing is the property of the CAMPBELL GROUP OF THE SCOTT FETZER COMPANY and subject to return on demand. Its contents are confidential and must not be copied or submitted to outside parties for use or examination.		DRAWN BY GES	CHECKED BY GES	APPROVED BY ENGINEERING MFG/MKTG GES DB
MATERIAL N/A		6/17/06	6/17/05	6/17/05 6/17/05
PART NAME 5HP. DUPLEX FLOW SCHEMATIC				SIZE D
		150 PRODUCTION DRIVE, HARRISON, OHIO 45030 Ph: 888-769-7979 FAX: (513) 367-3125		DWG NO MTD0505