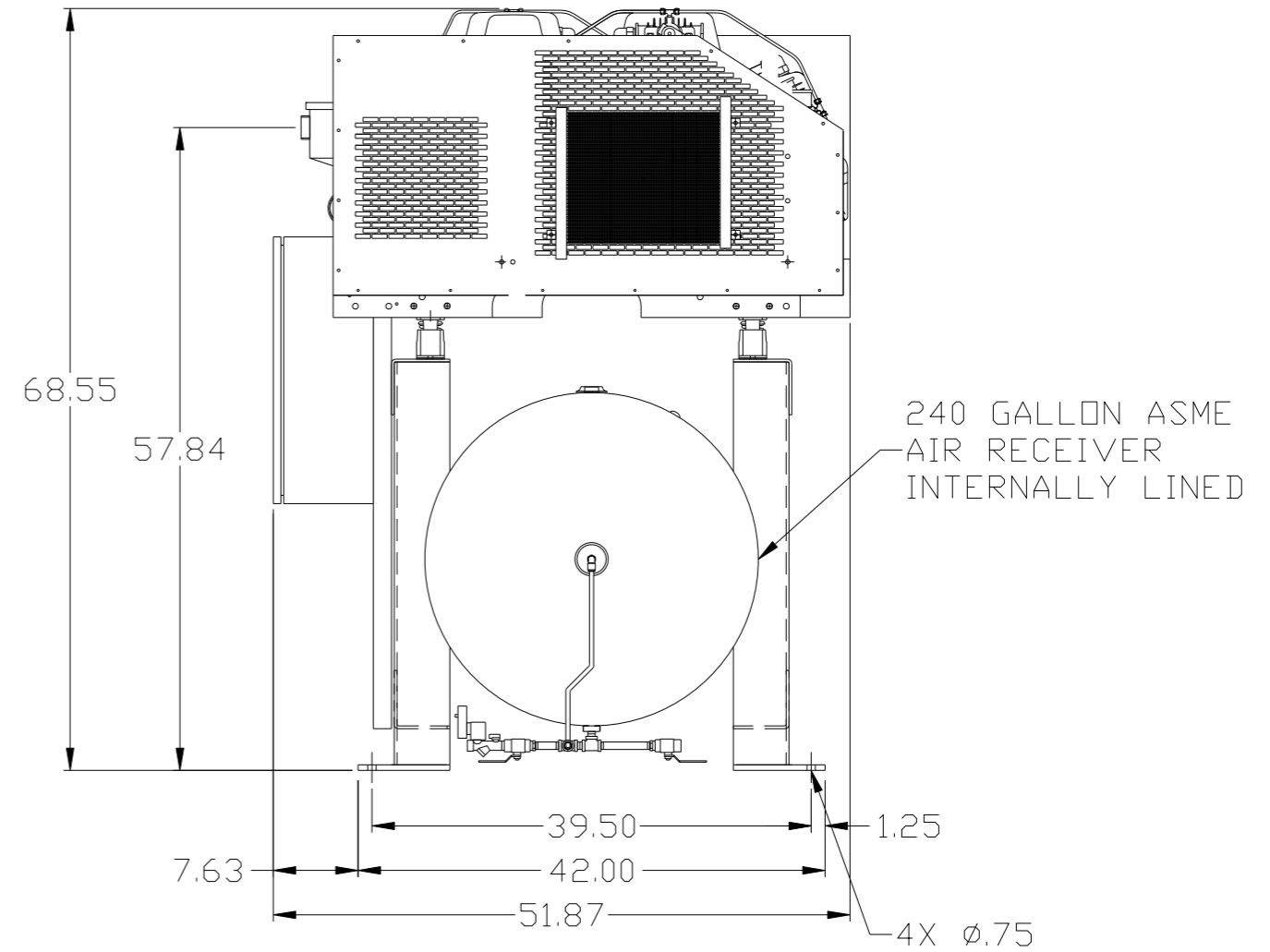
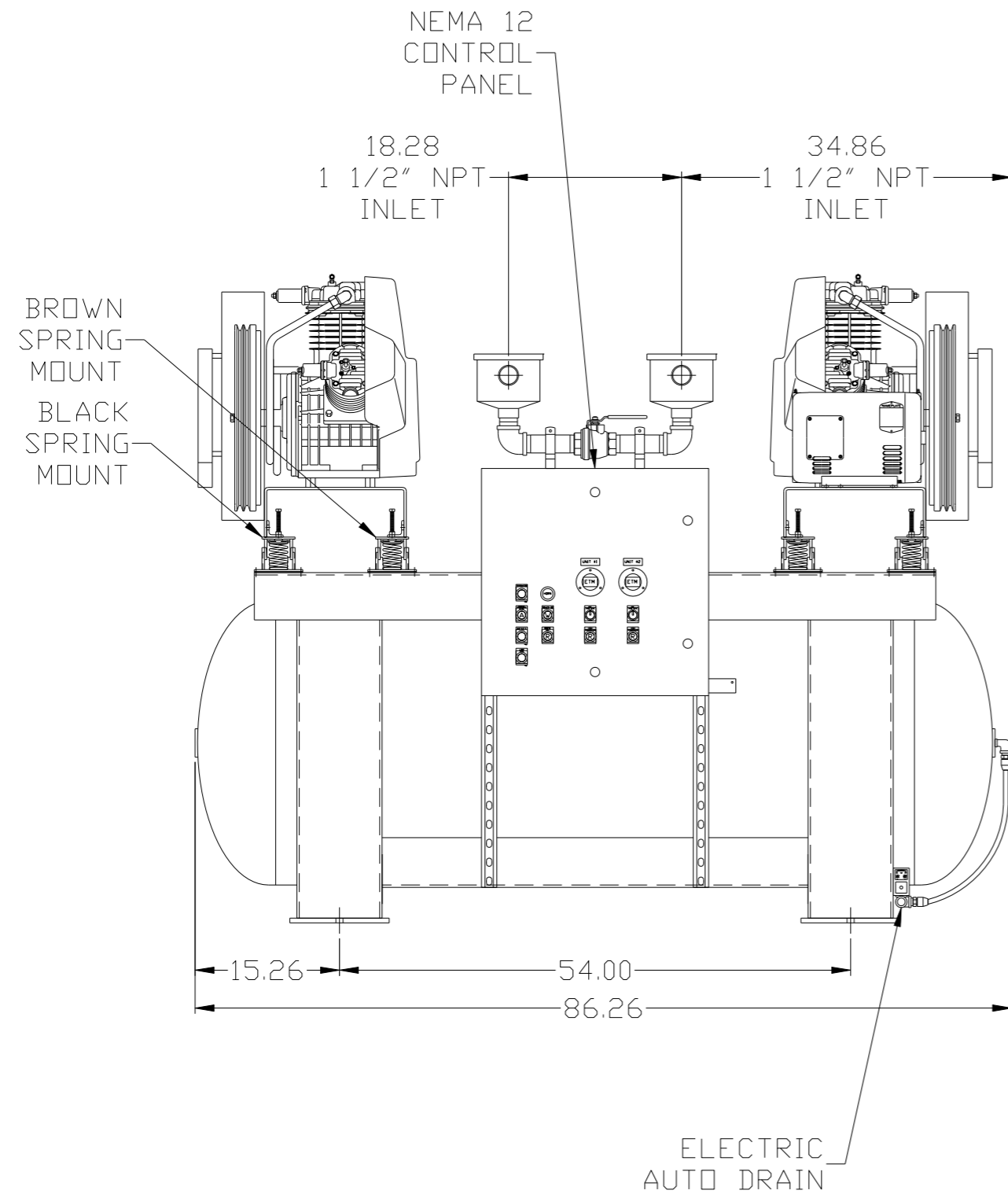


REV	ZONE	REVISION	DATE	ECN	NAME	CHKD
B-1	ALL	RELEASE TO PRODUCTION	7/27/06	21555	RSN	GES
C-1	C-4	ADDED MANUAL DRAIN	11/14/07	21668	DMS	GES
D-1	ALL	UPDATED BUILD & FLOW TO CURRENT STANDARDS	10/6/08	21907	AEK	DMS
E-1	1 CS,06	ADDED MOUNTING SPRING CALLOUTS	DATE	22039	AEK	GES
F-1	2 C3	CORRECTED TANK BY-PASS	9/22/10	22348	AEK	GES
G-1	ALL	ADDED SHEET 3	8/19/11	22546	AEK	GES
H-1	2 ALL	UPDATED/ADDED FLEX LINES	6/11/14	PXEC0067	AEK	GES
J-1	2 D4	REMOVED SNUBBER VALVE	02/03/16	PXEC0133	MJD	AEK



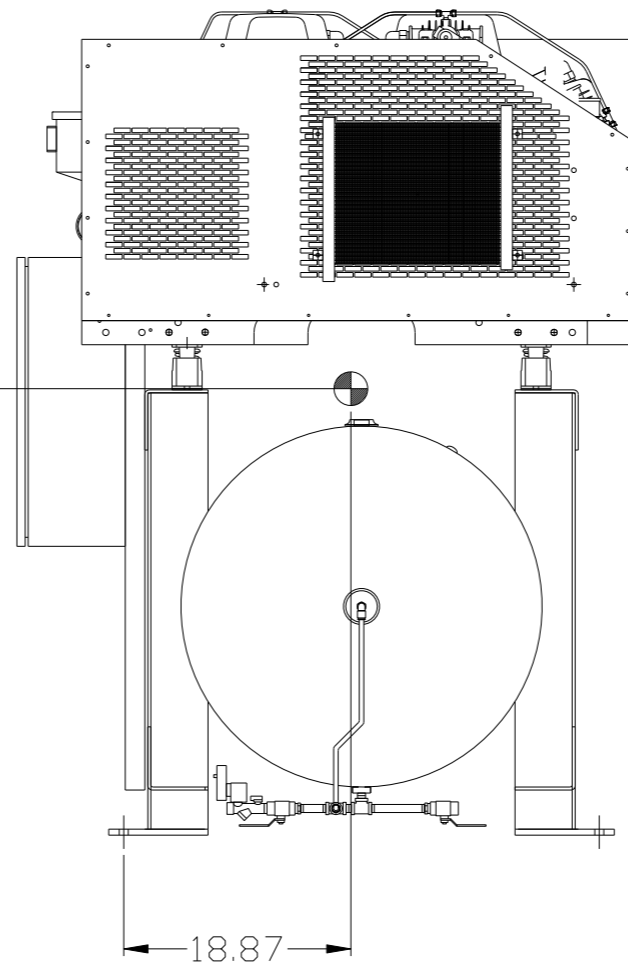
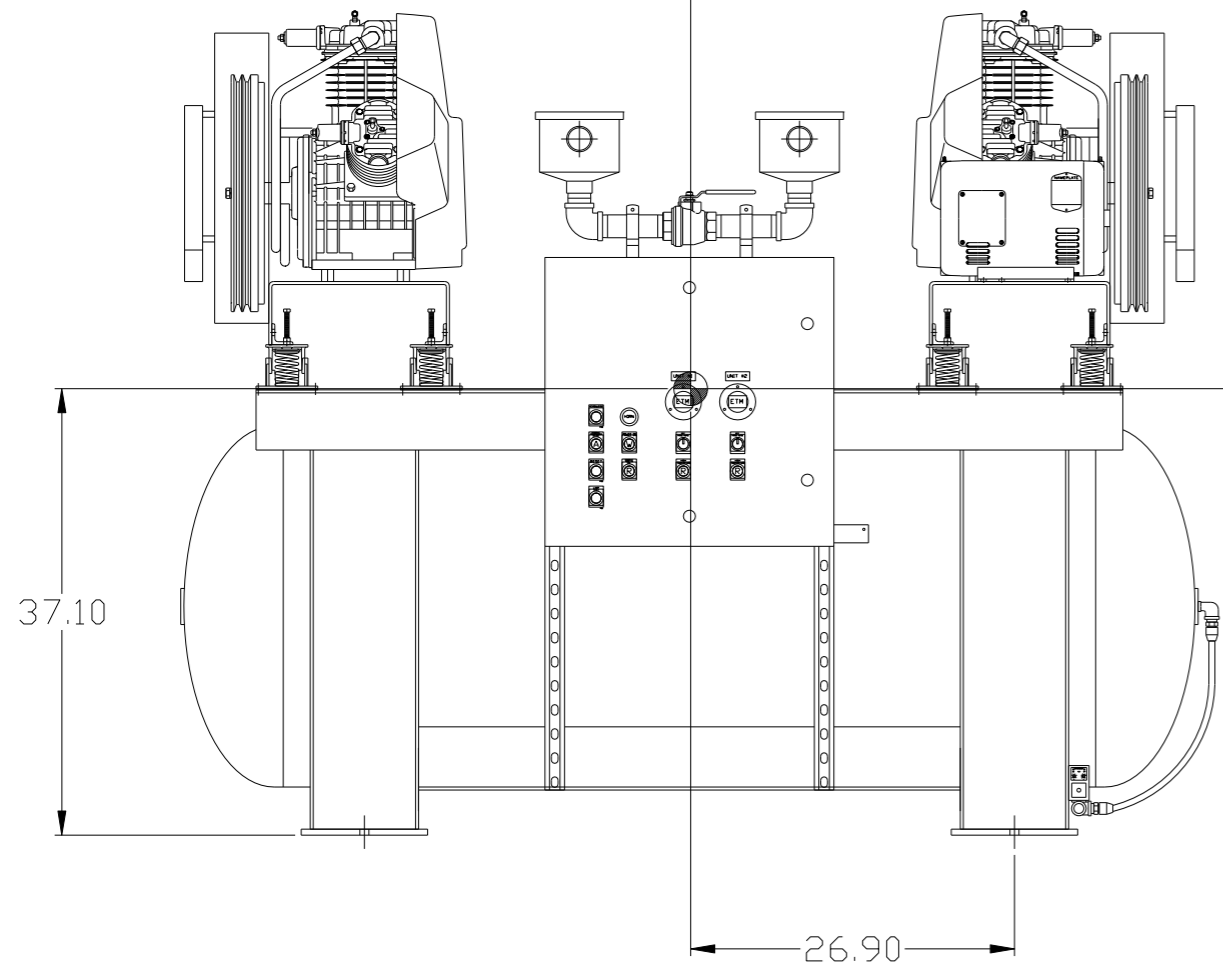
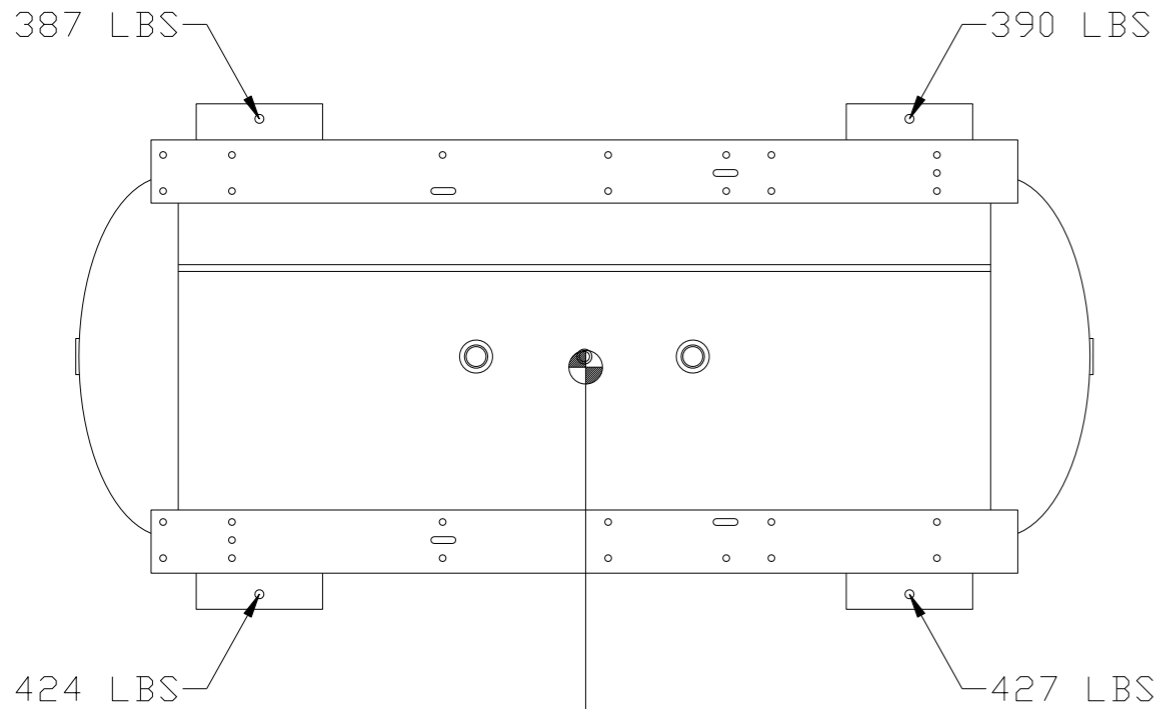
NOTE: BYPASS PLUMBING NOT SHOWN FOR CLARITY

NOTE: A MINIMUM OF 24" CLEARANCE IS RECOMMENDED AROUND THE ENTIRE UNIT.

NOTE: SYSTEM DESIGNED IN COMPLIANCE WITH U.S. NFPA'99, LATEST EDITION

SYMBOL LEGEND ⊖ = MINUS DRAFT ⊕ = PLUS DRAFT TOLERANCES NOT SPECIFIED .XX ± .XXX ± \angle (DEG) ±		⊕ = ADDITIONAL CONTROL REQ'D ⊕ = BRINELL HARDNESS		Drawings to conform to the current revision of the following ANSI standards: Y14.3 Multi and sectional view dgs. Y14.5M Dimensioning and tolerancing	
AUTOCAD REL2000 INCH		DO NOT SCALE DRAWING FOR DIMENSIONS Sheet 1 of 3 SCALE 1:8		CONFIDENTIAL DISCLOSURE This drawing is the property of the CAMPBELL GROUP OF THE SCOTT FETZER COMPANY and subject to return on demand. Its contents are confidential and must not be copied or submitted to outside parties for use or examination.	
DRAWN BY GES		CHECKED BY GES		APPROVED BY ENGINEERING MFG/MKTG GES DB	
MATERIAL N/A		DATE 6/17/05		DATE 6/17/05	
PART NAME 10HP DILLESS DUPLEX 240 GAL TANKMOUNT		 150 PRODUCTION DRIVE, HARRISON, OHIO 45030 Ph: 888-769-7979 FAX: (513) 367-3125		DWG NO MTD1006	
				SIZE D	

REV	ZONE	REVISION	DATE	ECN	NAME	CHKD
G-1	ALL	ADDED SHEET 3	8/19/11	22546	AEK	GES
H-1	2 ALL	UPDATED/ADDED FLEX LINES	6/11/14	PXEC0067	AEK	GES
J-1	2 B4	REMOVED SNUBBER VALVE	02/03/16	PXEC0133	MJD	AEK



CENTER OF GRAVITY
 APPROXIMATE WT. - 1628 LBS.
 X (FRONT) - 26.90
 Y (RIGHT) - 18.87
 Z (HEIGHT) - 37.10

⊙ DENOTES CENTER OF GRAVITY

SYMBOL LEGEND ⊖ = MINUS DRAFT ⊕ = PLUS DRAFT TOLERANCES NOT SPECIFIED .XX ± .XXX ± <DEG> ±		⊕ = ADDITIONAL CONTROL REQ'D HRC = BRINELL HARDNESS		Drawings to conform to the current revision of the following ANSI standards: Y14.3 Multi and sectional view dsgs. Y14.5M Dimensioning and tolerancing	
AUTOCAD REL2008 LT INCH		DO NOT SCALE DRAWING FOR DIMENSIONS Sheet 3 of 3 SCALE 1:8		CONFIDENTIAL DISCLOSURE This drawing is the property of the CAMPBELL GROUP of the SCOTT FETZER COMPANY and subject to return on demand. Its contents are confidential and must not be copied or submitted to outside parties for use or examination.	
MATERIAL N/A PART NAME 10HP DILLESS DUPLEX 240 GAL TANKMOUNT		DRAWN BY AEK 8/19/11		CHECKED BY GES 8/19/11	
APPROVED BY DMS 8/19/11		APPROVED BY RJR 8/19/11		 150 PRODUCTION DRIVE, HARRISON, OHIO 45030 Ph 888-769-7979 FAX (513) 367-3125	
DWG NO MTD1006		SIZE D		MTD1006.dwg	