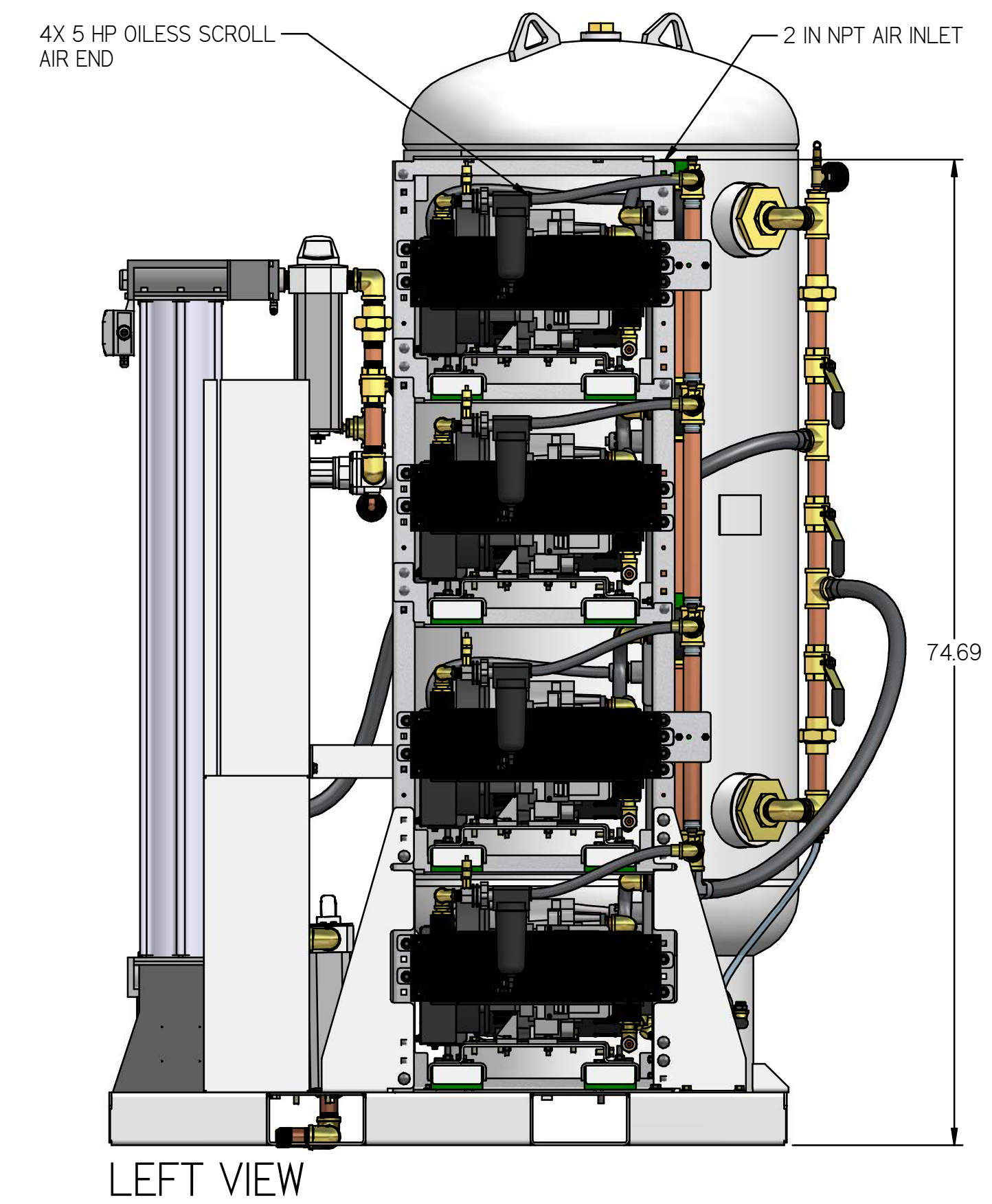
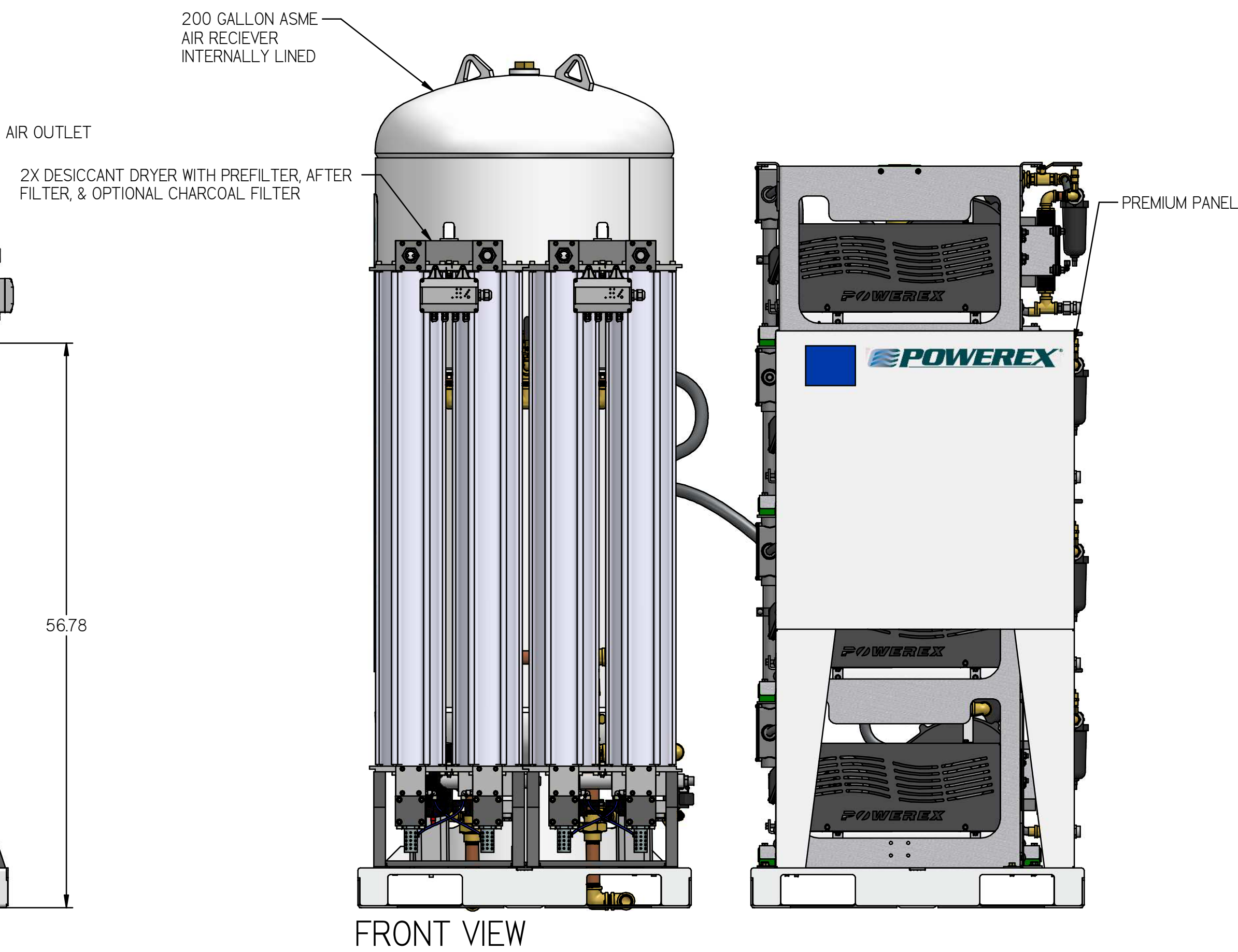
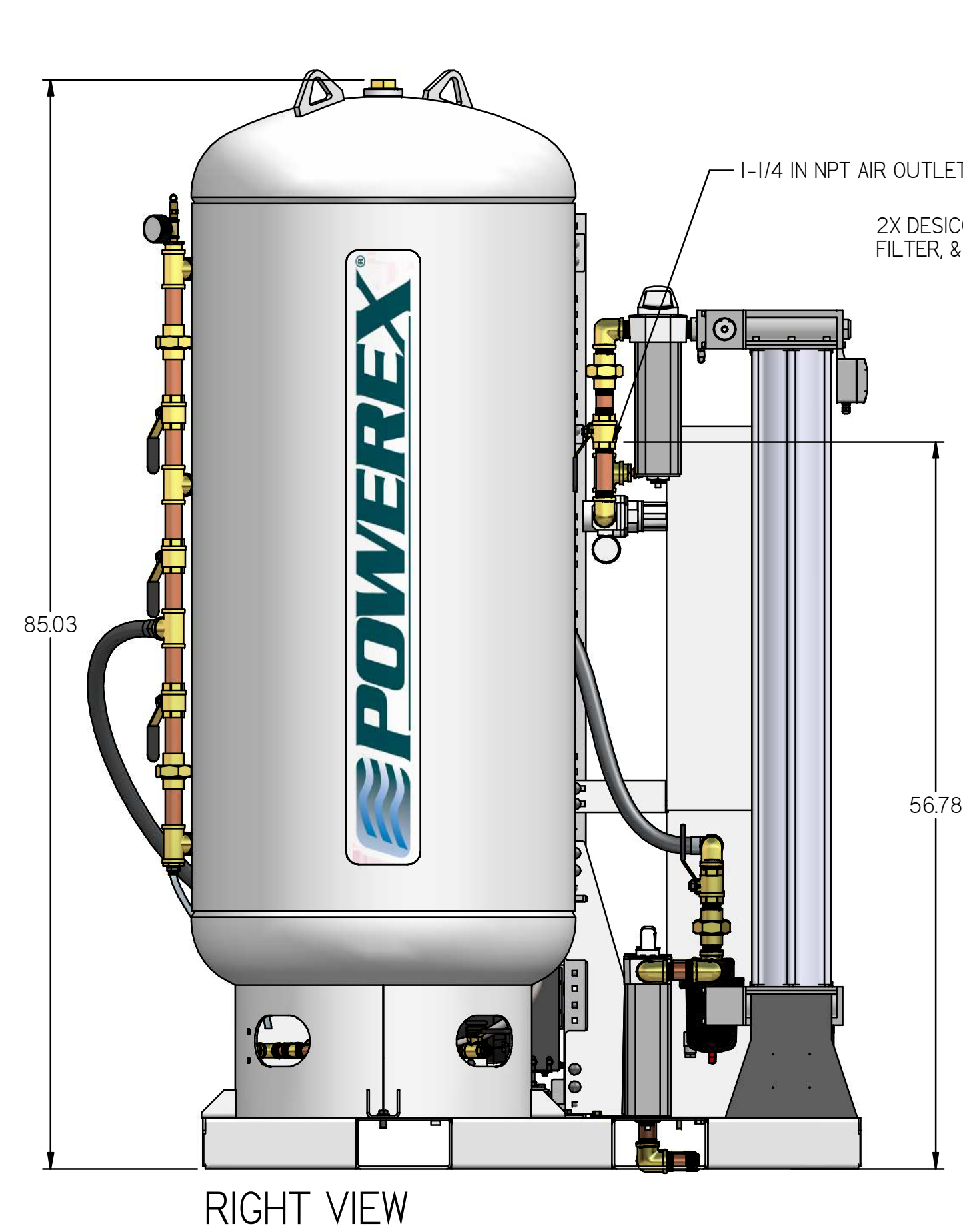
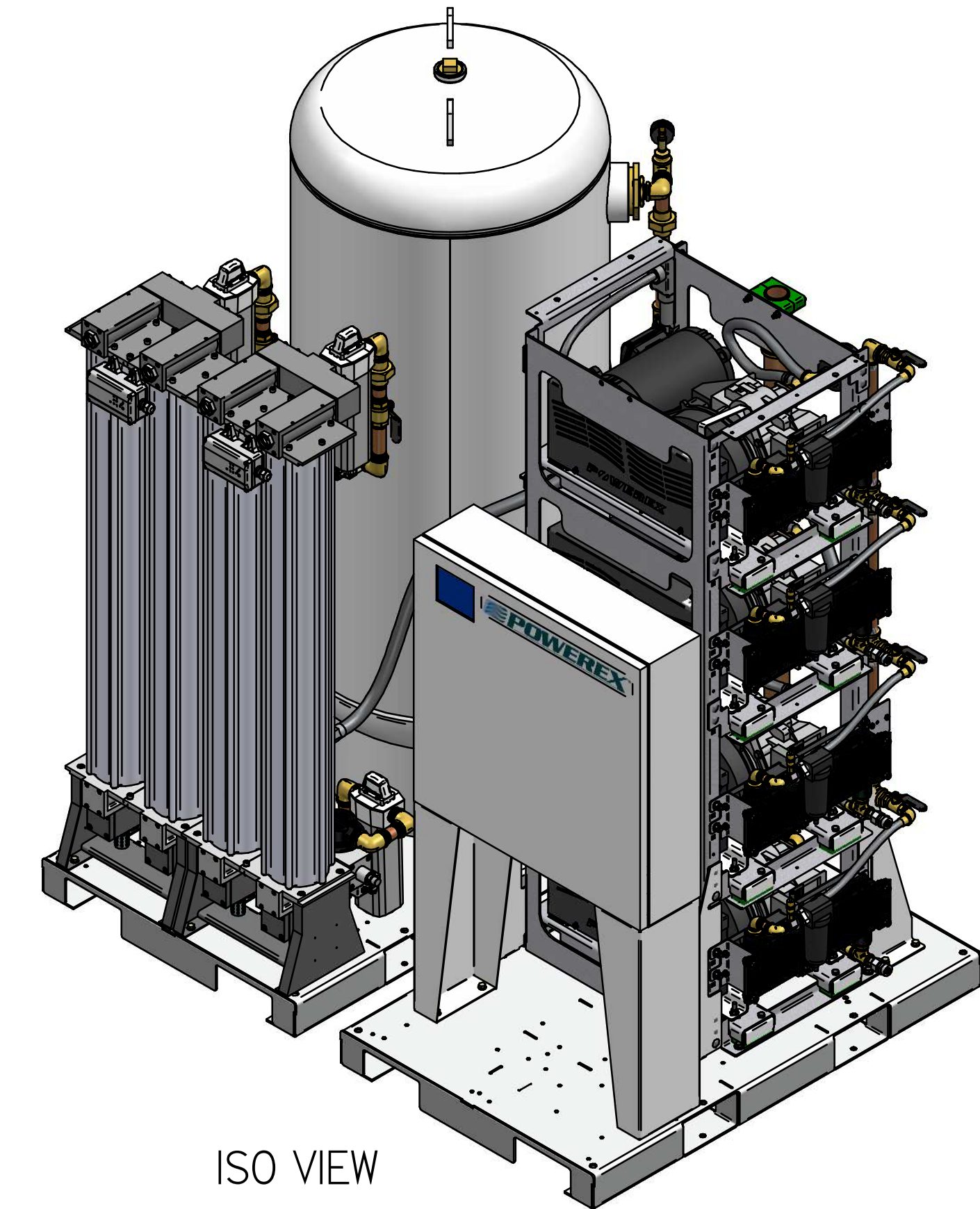
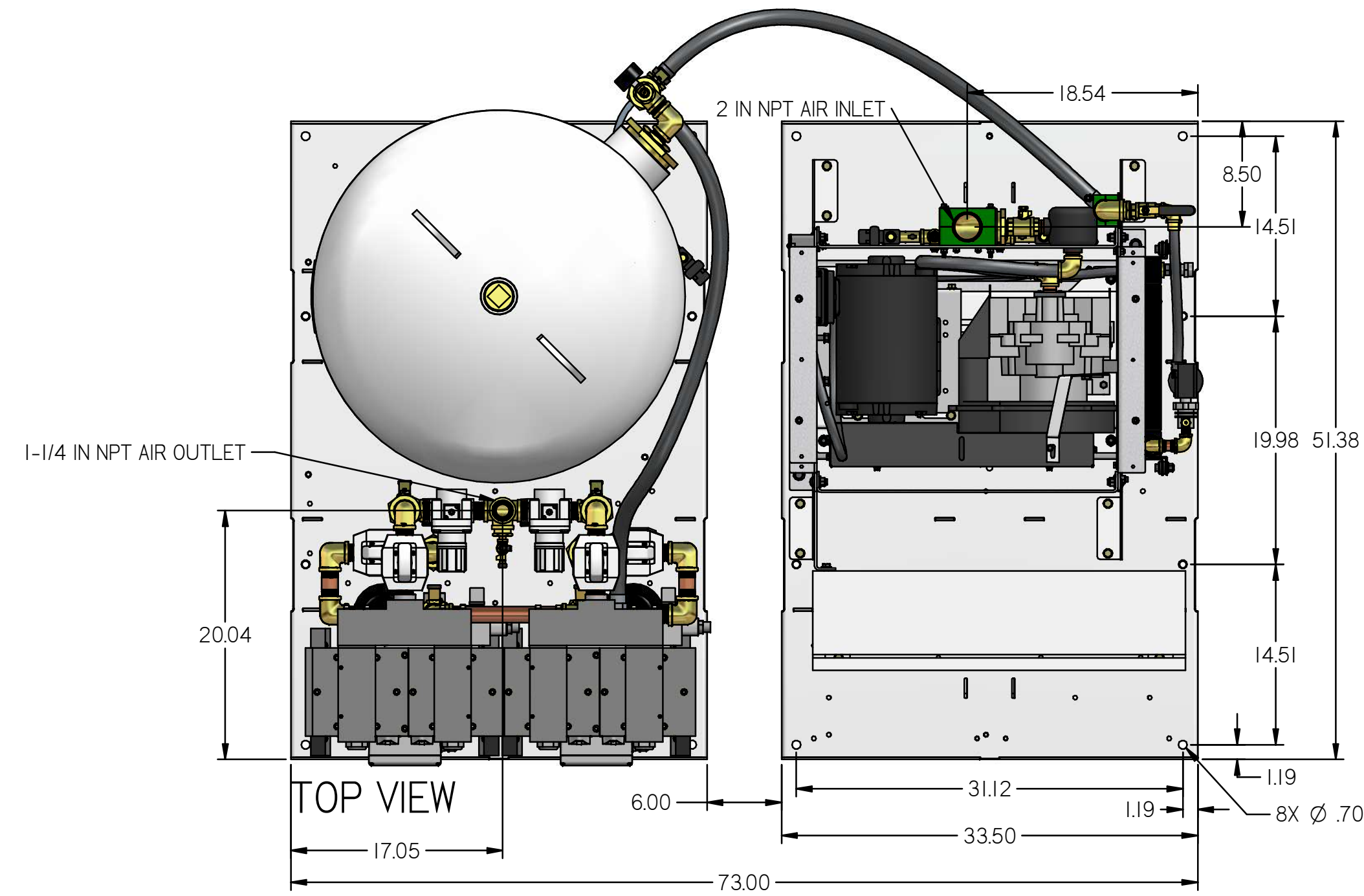


REVISION NOTES		
DESCRIPTION	ECN	PR/NOR
PRODUCTION RELEASE	PXECO169	N/A

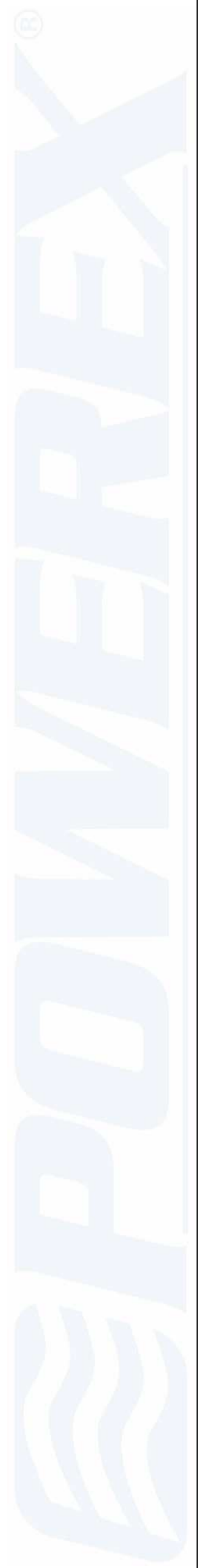
LSD10A5

LAB OPEN SCROLL SYSTEM 10 HP DUPLEX 200 TANK



- NOTES:
 1. APPROX SYSTEM WEIGHT: 2663 LB
 2. 24" MINIMUM MAINTENANCE CLEARANCE RECOMMENDED ALL SIDES. CLEARANCE FOR CONTROL PANELS SHALL BE IN ACCORDANCE WITH OSHA/NEC REQUIREMENTS

SYMBOL LEGEND		DRAWINGS TO CONFORM TO CURRENT REVISION OF THE FOLLOWING ANSI STANDARDS:	
TOLERANCES NOT SPECIFIED	SOLID EDGE DRAWING	Y14.3 MULTI-VIEW AND SECTIONAL VIEW DWGS	Y14.5 DIMENSIONING AND TOLERANCING
0.XXX ± .01	DRAWING	INCH	DO NOT SCALE DRAWING FOR DIMENSIONS
0.XXX ± .005			
± .5			
<small>CONFIDENTIAL DISCLOSURE</small> This drawing is the property of POWEREX of the SCOTT FETTER COMPANY and is subject to return on demand. Its contents are confidential and must not be copied or submitted to outside parties for use or examination.		<small>CONFIDENTIAL DISCLOSURE</small> This drawing is the property of POWEREX of the SCOTT FETTER COMPANY and is subject to return on demand. Its contents are confidential and must not be copied or submitted to outside parties for use or examination.	<small>CONFIDENTIAL DISCLOSURE</small> This drawing is the property of POWEREX of the SCOTT FETTER COMPANY and is subject to return on demand. Its contents are confidential and must not be copied or submitted to outside parties for use or examination.
TITLE: 716188 MATERIAL: SEE PART NOTES	AUTHOR: ASoulek ORIGINATION DATE: 10/31/2018	APPROVALS ON FILE IN PLM	SHEET 1 OF 4 SCALE: 1:10
DESCRIPTION: LAB OPEN SCROLL SYSTEM 10 HP DUPLEX 200 TANK	DRAWING NUMBER: LSD10A5	REVISION: B	SIZE: D

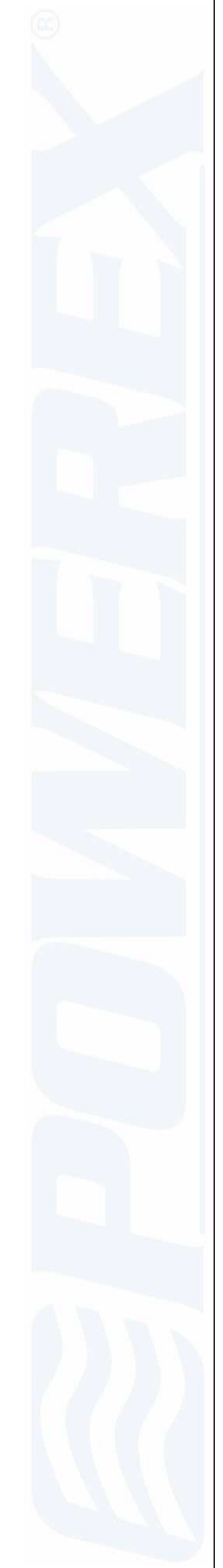
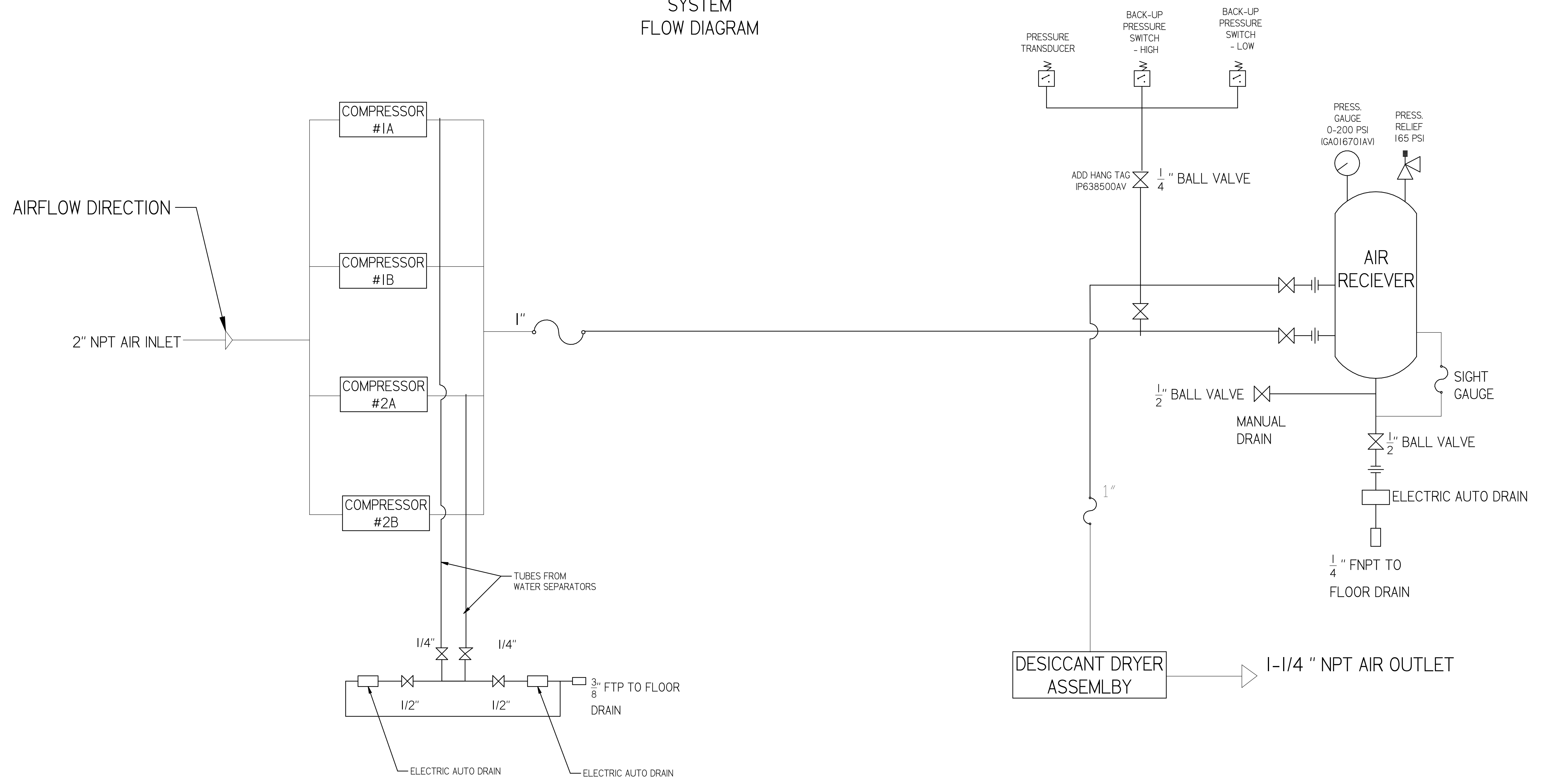


LSD10A5

LAB OPEN SCROLL SYSTEM 10 HP DUPLEX 200 TANK

SYSTEM FLOW DIAGRAM

REVISION NOTES		
DESCRIPTION	ECN	PR/NOR
PRODUCTION RELEASE	PXECO169	N/A

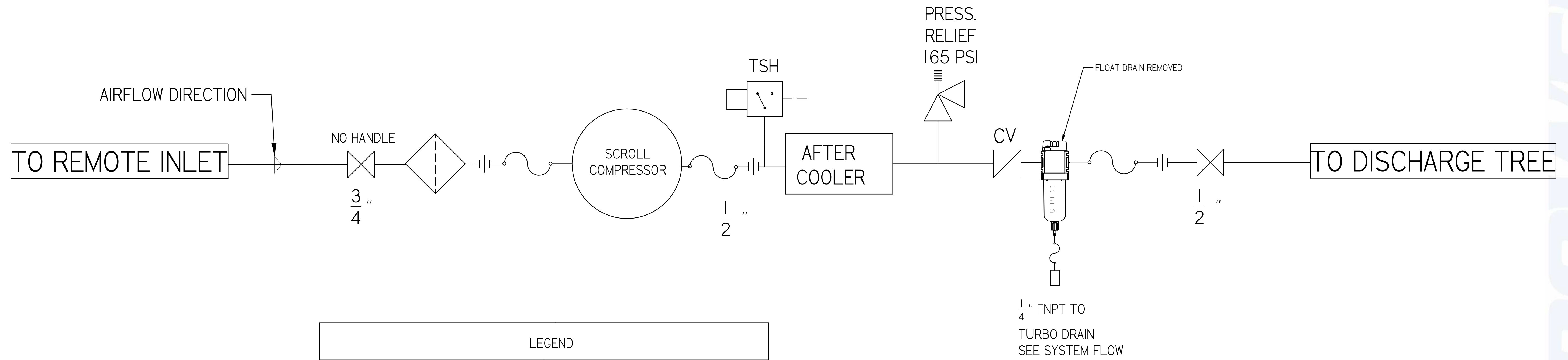


SYMBOL LEGEND		DRAWINGS TO CONFORM TO CURRENT REVISION OF THE FOLLOWING ANSI STANDARDS: #14.3 MULTI AND SECTIONAL VIEW DIMS #14.5 DIMENSIONING AND TOLERANCING			
TOLERANCES NOT SPECIFIED	SOLID EDGE DRAWING	DO NOT SCALE DRAWING FOR DIMENSIONS			
0.0001 ± 0.01					
0.0001 ± 0.005	INCH	SHEET 2 OF 4	SCALE	1:1	
<small>CONFIDENTIAL DISCLOSURE</small> <small>This drawing is the property of POWEREX of the SCOTT FETTER COMPANY and is subject to return on demand. Its contents are confidential and must not be copied or submitted to outside parties for use or examination.</small>		AUTHOR	ORIGINATION DATE	APPROVALS ON FILE IN PLM	
		ASoulek	10/31/2018		
ITEM NO:	716188				
MATERIAL:	SEE PART NOTES	<small>150 PRODUCTION DRIVE, HARRISON OH 45030</small> <small>888-768-7079</small>			
DESCRIPTION:	LAB OPEN SCROLL SYSTEM 10 HP DUPLEX 200 TANK	DRAWING NUMBER:	LSD10A5	REVISION:	B D

REVISION NOTES		
DESCRIPTION	ECN	PR/NOR
PRODUCTION RELEASE	PXECO169	N/A

LSD10A5

LAB OPEN SCROLL SYSTEM
10 HP DUPLEX 200 TANK
LAB COMPRESSOR
FLOW DIAGRAM



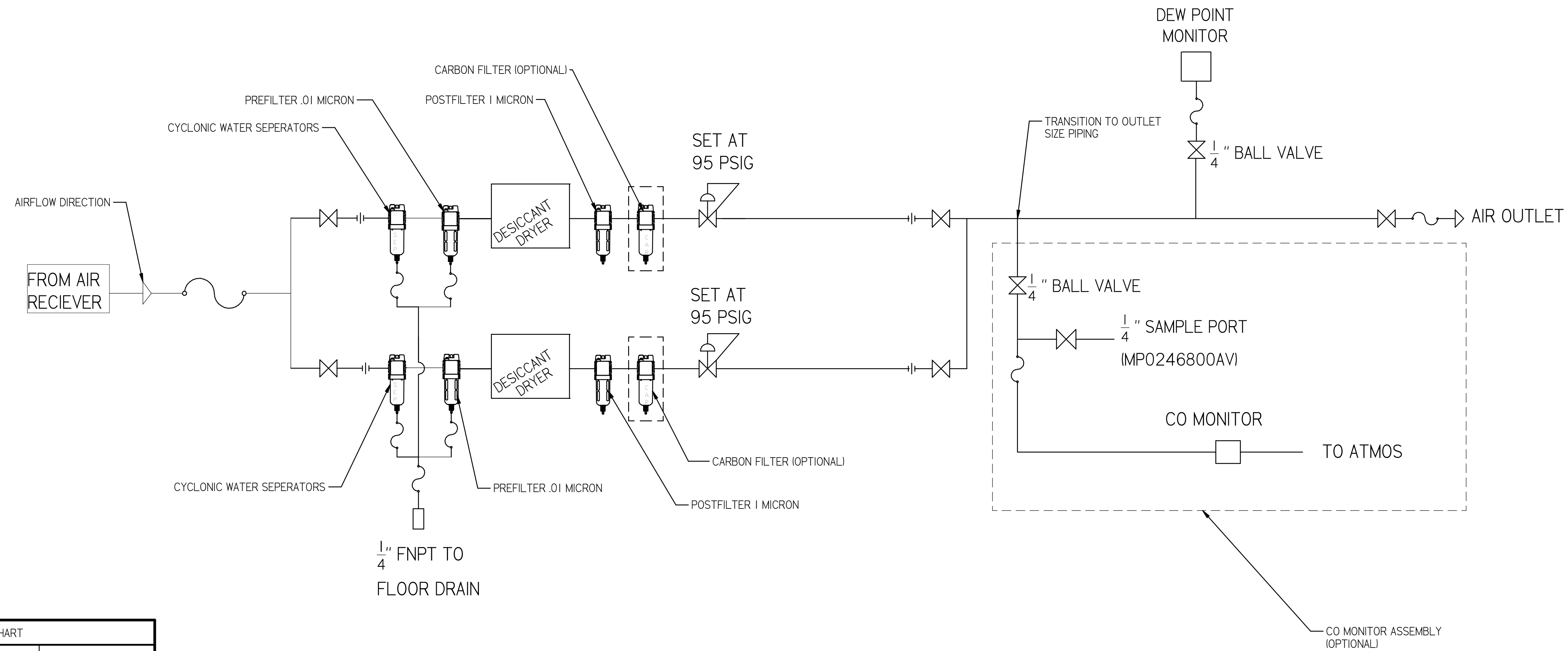
LEGEND	
	RELIEF VALVE
	INTAKE FILTER
	AIR FILTER
	3 WAY VALVE
	CARBON FILTER
	BALL VALVE
	PRESSURE SWITCH
	REGULATOR
	SEPARATOR
	CHECK VALVE
	FLEX LINE
	TSH HIGH TEMP SWITCH

SYMBOL LEGEND		DRAWINGS TO CONFORM TO CURRENT REVISION OF THE FOLLOWING ANSI STANDARDS:	
TOLERANCES NOT SPECIFIED:		Y14.3 MULTI AND SECTIONAL VIEW DWGS	
0.001 ± .01	SOLID EDGE DRAWING	Y14.5 DIMENSIONING AND TOLERANCING	
0.0005 ± .0005		DO NOT SCALE DRAWING FOR DIMENSIONS	
± .5	INCH	SHEET 3 OF 4	SCALE 1:1
CONFIDENTIAL DISCLOSURE This drawing is the property of POWEREX of the SCOTT FETTER COMPANY and is subject to return on demand. Its contents are confidential and must not be copied or submitted to outside parties for use or examination.		AUTHOR	APPROVALS ON FILE IN PLM
DRAWN BY: 716188		ASoulek	10/31/2018
MATERIAL: SEE PART NOTES			
DESCRIPTION: LAB OPEN SCROLL SYSTEM 10 HP DUPLEX 200 TANK		DRAWING NUMBER: LSD10A5	REVISION: B
			SIZE: D

REVISION NOTES		
DESCRIPTION	ECN	PR/NOR
PRODUCTION RELEASE	PXECO169	N/A

LSD10A5

LAB OPEN SCROLL SYSTEM
10 HP DUPLEX 200 TANK
LAB DRYER
FLOW DIAGRAM



PUMP COUNT	DRYER PLUMBING SIZE	OUTLET PIPE SIZE
2	1/2"	1/2"
3	1/2"	1"
4	1"	1-1/4"
6	1"	1-1/2"
8	1"	1-1/2"
9	1"	1-1/2"
12	1-1/2"	2"
15	1-1/2"	2"
18	1-1/2"	2"

SYMBOL LEGEND		DRAWINGS TO CONFORM TO CURRENT REVISION OF THE FOLLOWING ANSI STANDARDS: Y14.3 MULTI AND SECTIONAL VIEW DWGS Y14.5 DIMENSIONING AND TOLERANCING	
TOLERANCES NOT SPECIFIED	SOLID EDGE DRAWING	DO NOT SCALE DRAWING FOR DIMENSIONS	
0.XXX ± .01	INCH	SHEET 4 OF 4	SCALE 1:1
0.XXX ± .005			
± .5			
<small>CONFIDENTIAL DISCLOSURE</small> This drawing is the property of POWEREX of the SCOTT FETTER COMPANY and is subject to return on demand. Its contents are confidential and must not be copied or submitted to outside parties for use or examination.		AUTHOR	APPROVALS ON FILE IN PLM
<small>FROM FILE</small> 716188		ASoulek	10/31/2018
<small>MATERIAL</small> SEE PART NOTES			
<small>DESCRIPTION</small> LAB OPEN SCROLL SYSTEM 10 HP DUPLEX 200 TANK		<small>DRAWING NUMBER</small> LSD10A5	<small>REVISION</small> B <small>SIZE</small> D