

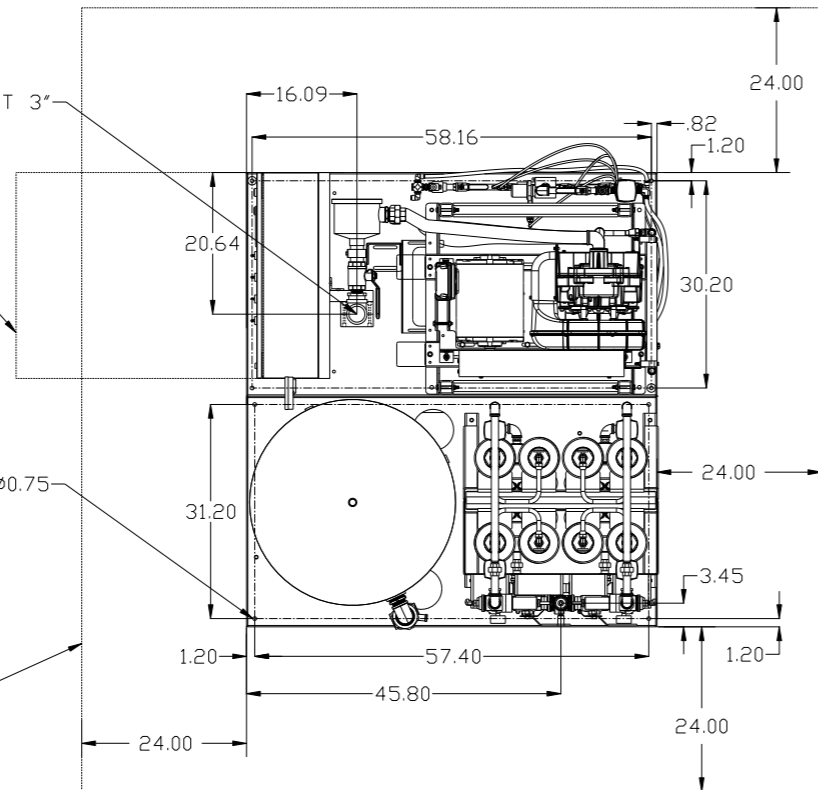
REV	ZONE	REVISION	DATE	ECN	NAME	CHKD
B-1	ALL	RELEASE TO PRODUCTION	1/29/15	PXEC0097	AEK	DMS
C-1	ALL	CORRECTED SEPARATOR DRAIN LINES TO 1/4"				
	2	ADDED NOTE TO REMOVE SEPARATOR FLDDAT				
	1	CORRECTED VIEW POSITIONING				
	1	ADDED OVERALL DIMENSIONS	01/04/16	PXEC0167	MJD	GES
	1	ADDED OUTLINE FOR RECOMMENDED CLEARANCES				
	1	UPDATED INLET TREE				

MINIMUM RECOMMENDED ELECTRICAL PANEL CLEARANCE PER OSHA/NEC REQUIREMENTS

INLET 3"

8X Ø0.75

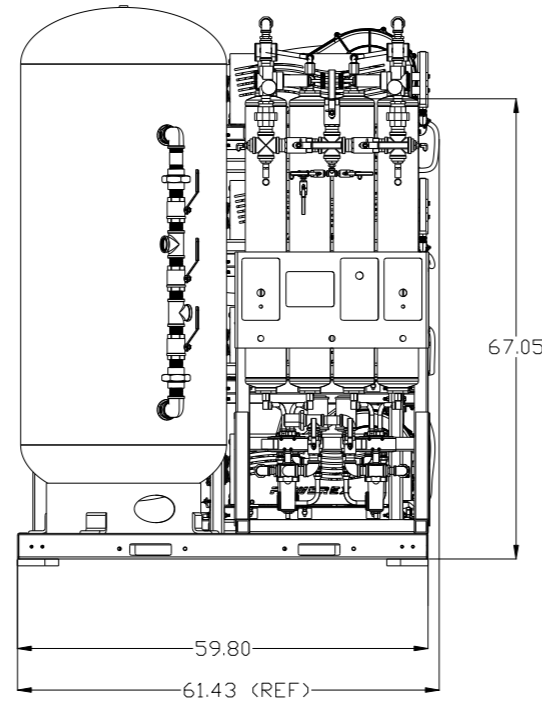
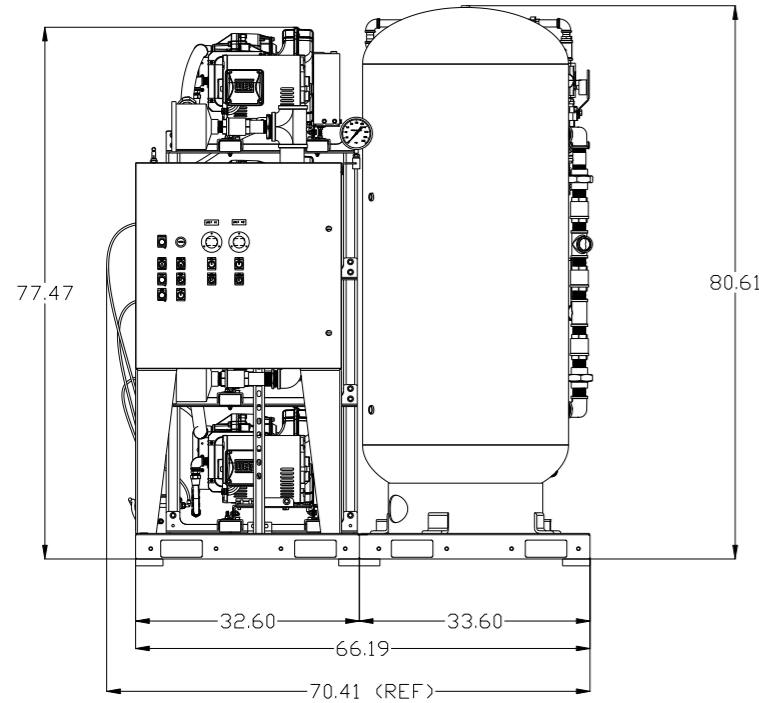
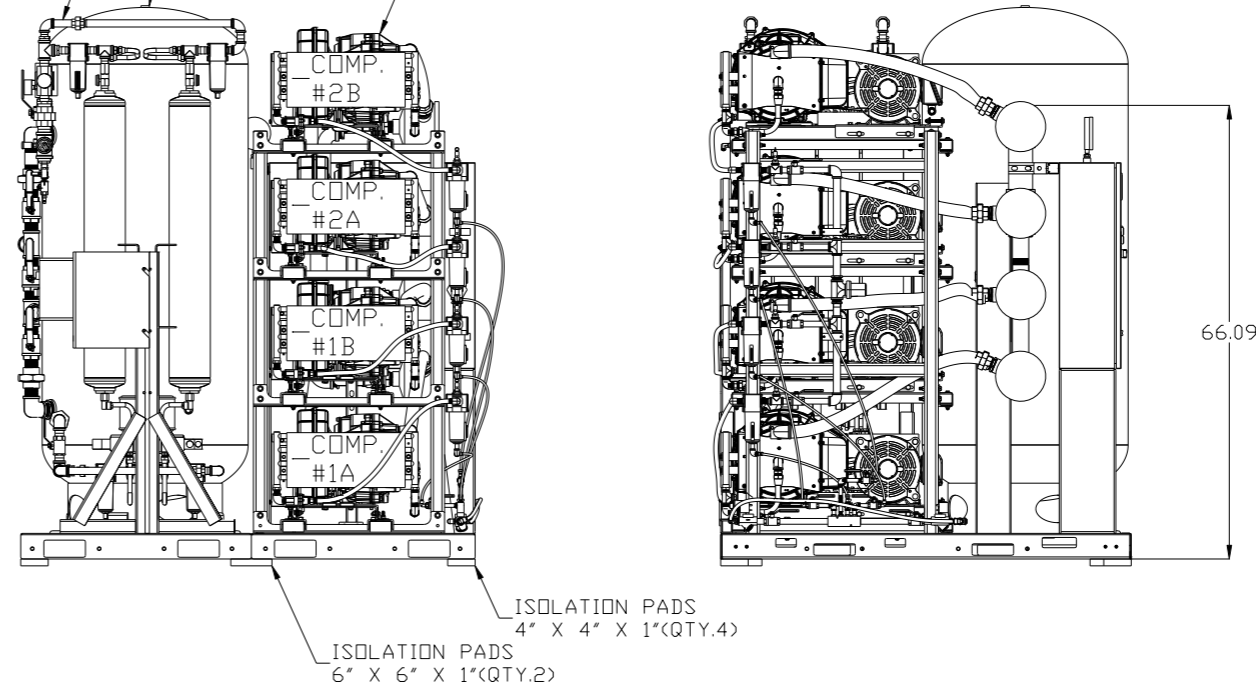
MINIMUM RECOMMENDED MAINTENANCE CLEARANCE



2X DESICCANT DRYER W/ DEW POINT MONITOR, PRE FILTER, AFTER FILTER, OPTIONAL CO MONITOR, & OPTIONAL CHARCOAL FILTER.

200 GALLON ASME AIR RECEIVER INTERNALLY LINED

2X 20HP OILLESS SCROLL AIR END

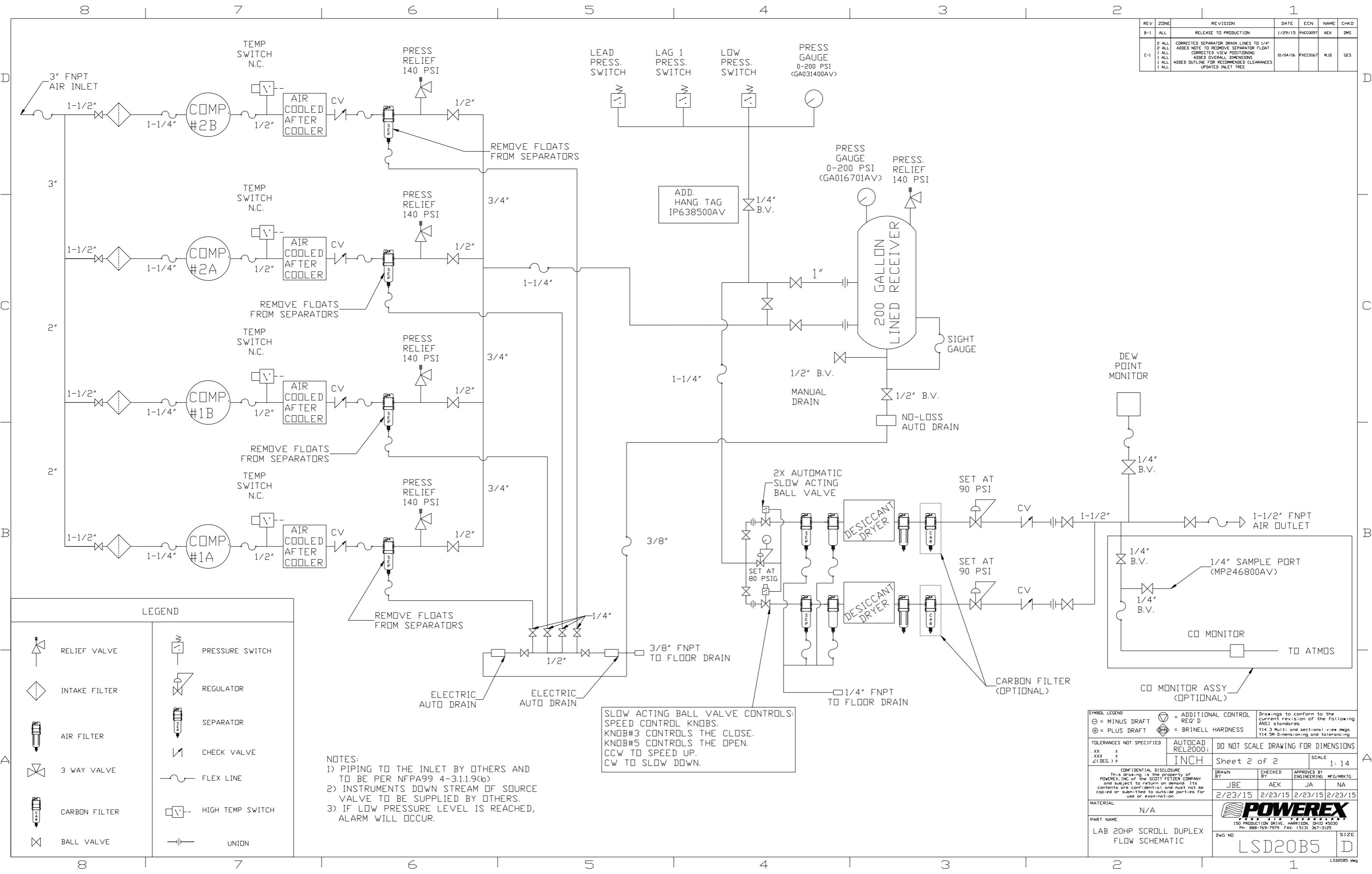


NOTES:  
 1) RECOMMENDED 24" CLEARANCE AROUND SYSTEM  
 2) INSTALL ELECTRICAL CONTROL PANEL WITH CLEARANCE PER OSHA/NEC RECOMMENDATIONS

NOTE: SYSTEM DESIGNED IN COMPLIANCE WITH US NFPA'99, LATEST EDITION.

<b>SYMBOL LEGEND</b> ⊖ = MINUS DRAFT ⊕ = PLUS DRAFT ⊕ = ADDITIONAL CONTROL REQ'D HRC = BRINELL HARDNESS		Drawings to conform to the current revision of the following ANSI standards: Y14.3 Multi and sectional view dwgs. Y14.5M Dimensioning and tolerancing	
TOLERANCES NOT SPECIFIED .XX ± .XXX ± <BEG. > ±		AUTOCAD REL2000 INCH	
DO NOT SCALE DRAWING FOR DIMENSIONS		Sheet 1 of 2 SCALE 1:14	
CONFIDENTIAL DISCLOSURE This drawing is the property of POWEREX, INC. of the SCOTT FETZER COMPANY and subject to return on demand. Its contents are confidential and must not be copied or submitted to outside parties for use or examination.		DRAWN BY: JBE CHECKED BY: AEK APPROVED BY: JA MFG/MKTG: NA 2/23/15 2/23/15 02/20/15 2/23/15	
MATERIAL: N/A		<b>POWEREX</b> 150 PRODUCTION DRIVE, HARRISON, OHIO 45030 Ph: 888-769-7979 FAX: (513) 367-3125	
PART NAME: LAB DUPLEX SCROLL 20HP, 200GAL. BASEMOUNT DUPLEX DESICCANT		DWG NO: LSD20B5 SIZE: D	

REV	ZONE	REVISION	DATE	ECN	NAME	CHKD
B-1	ALL	RELEASE TO PRODUCTION	1/29/15	PKEC0057	AEK	DMS
C-1	2 ALL	CORRECTED SEPARATOR BRAIN LINES TO 1/4"				
	2 ALL	ADDED NOTE TO REMOVE SEPARATOR FLOAT				
	1 ALL	CORRECTED VIEW POSITIONING				
	1 ALL	ADDED OVERALL DIMENSIONS	01/04/16	PKEC0167	MJD	GES
	1 ALL	ADDED OUTLINE FOR RECOMMENDED CLEARANCES				
	1 ALL	UPDATED INLET TREE				



LEGEND	
	RELIEF VALVE
	INTAKE FILTER
	AIR FILTER
	3 WAY VALVE
	CARBON FILTER
	BALL VALVE
	PRESSURE SWITCH
	REGULATOR
	SEPARATOR
	CHECK VALVE
	FLEX LINE
	HIGH TEMP SWITCH
	UNION

NOTES:  
 1) PIPING TO THE INLET BY OTHERS AND TO BE PER NFPA99 4-3.1.1.9(b)  
 2) INSTRUMENTS DOWN STREAM OF SOURCE VALVE TO BE SUPPLIED BY OTHERS.  
 3) IF LOW PRESSURE LEVEL IS REACHED, ALARM WILL OCCUR.

SLOW ACTING BALL VALVE CONTROLS:  
 SPEED CONTROL KNOBS.  
 KNOB#3 CONTROLS THE CLOSE.  
 KNOB#5 CONTROLS THE OPEN.  
 CCW TO SPEED UP.  
 CW TO SLOW DOWN.

SYMBOL LEGEND		= ADDITIONAL CONTROL REQ'D		Drawings to conform to the current revision of the following ANSI standards	
⊖	MINUS DRAFT	⊕	PLUS DRAFT	⊕	BRINELL HARDNESS
TOLERANCES NOT SPECIFIED		AUTOCAD REL2000:		DO NOT SCALE DRAWING FOR DIMENSIONS	
.XX ±		INCH		Sheet 2 of 2	
<DEG> ±				SCALE 1:14	
CONFIDENTIAL DISCLOSURE					
This drawing is the property of POWEREX, INC. of the SCOTT FETZER COMPANY and subject to return on demand. Its contents are confidential and must not be copied or submitted to outside parties for use or examination.					
DRAWN BY		CHECKED BY		APPROVED BY	
JBE		AEK		JA NA	
2/23/15		2/23/15		2/23/15 2/23/15	
MATERIAL N/A					
PART NAME					
LAB 20HP SCROLL DUPLEX FLOW SCHEMATIC					
DWG NO				SIZE	
LSD20B5				D	

REV	ZONE	REVISION	DATE	ECN	NAME	CHKD
B-1	ALL	RELEASE TO PRODUCTION	1/29/15	PXEC0057	AEK	DMS
C-1	2 ALL	CORRECTED SEPARATOR DRAIN LINES TO 1/4"				
	2 ALL	ADDED NOTE TO REMOVE SEPARATOR FLAT				
	1 ALL	CORRECTED VIEW POSITIONING	01/04/16	PXEC0167	MJD	GES
	1 ALL	ADDED OVERALL DIMENSIONS				
	1 ALL	ADDED OUTLINE FOR RECOMMENDED CLEARANCES				
	1 ALL	UPDATED INLET TREE				

MINIMUM RECOMMENDED ELECTRICAL PANEL CLEARANCE PER OSHA/NEC REQUIREMENTS

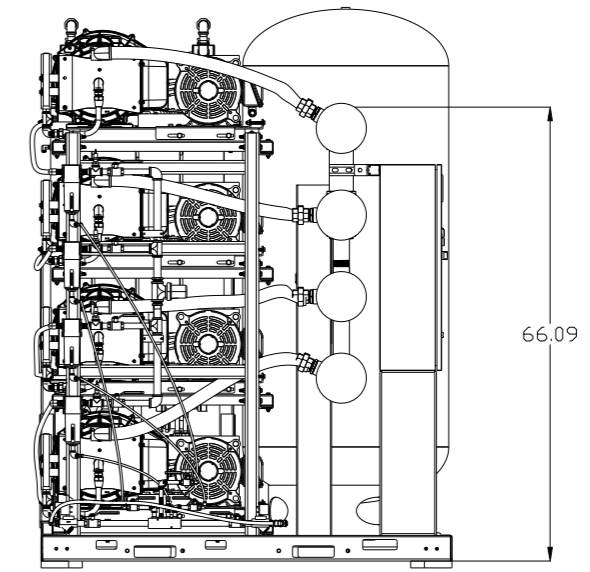
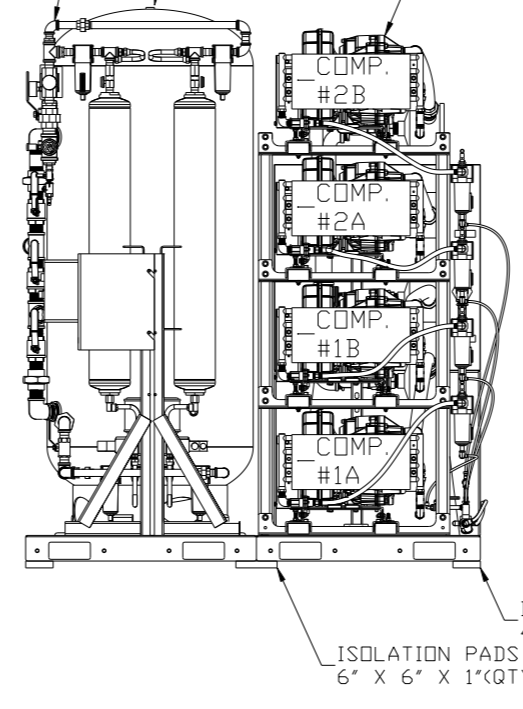
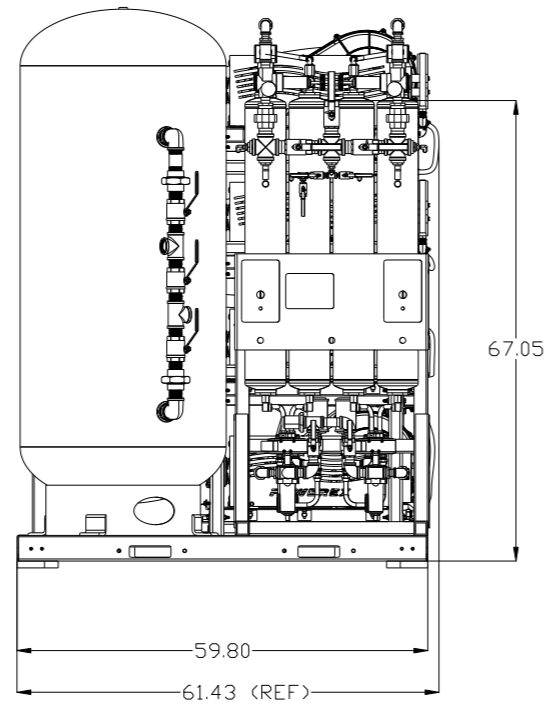
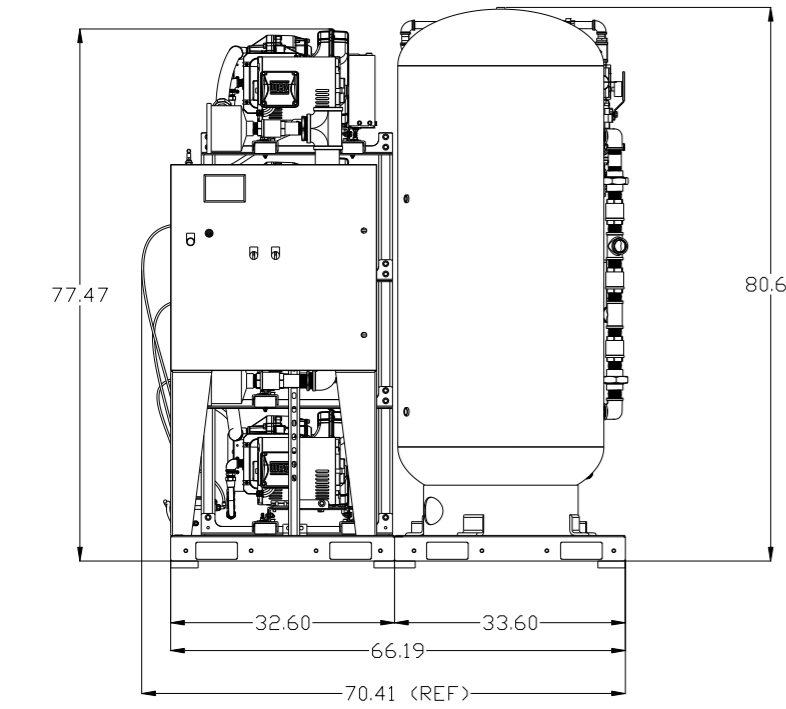
MINIMUM RECOMMENDED MAINTENANCE CLEARANCE

2X DESICCANT DRYER W/PRE FILTER, AFTER FILTER, OPTIONAL CHARCOAL FILTER & OPTIONAL CO MONITOR

200 GALLON ASME AIR RECEIVER INTERNALLY LINED

2X 20HP DILLESS SCROLL AIR END

ISOLATION PADS 4" X 4" X 1"(QTY.4)  
ISOLATION PADS 6" X 6" X 1"(QTY.2)



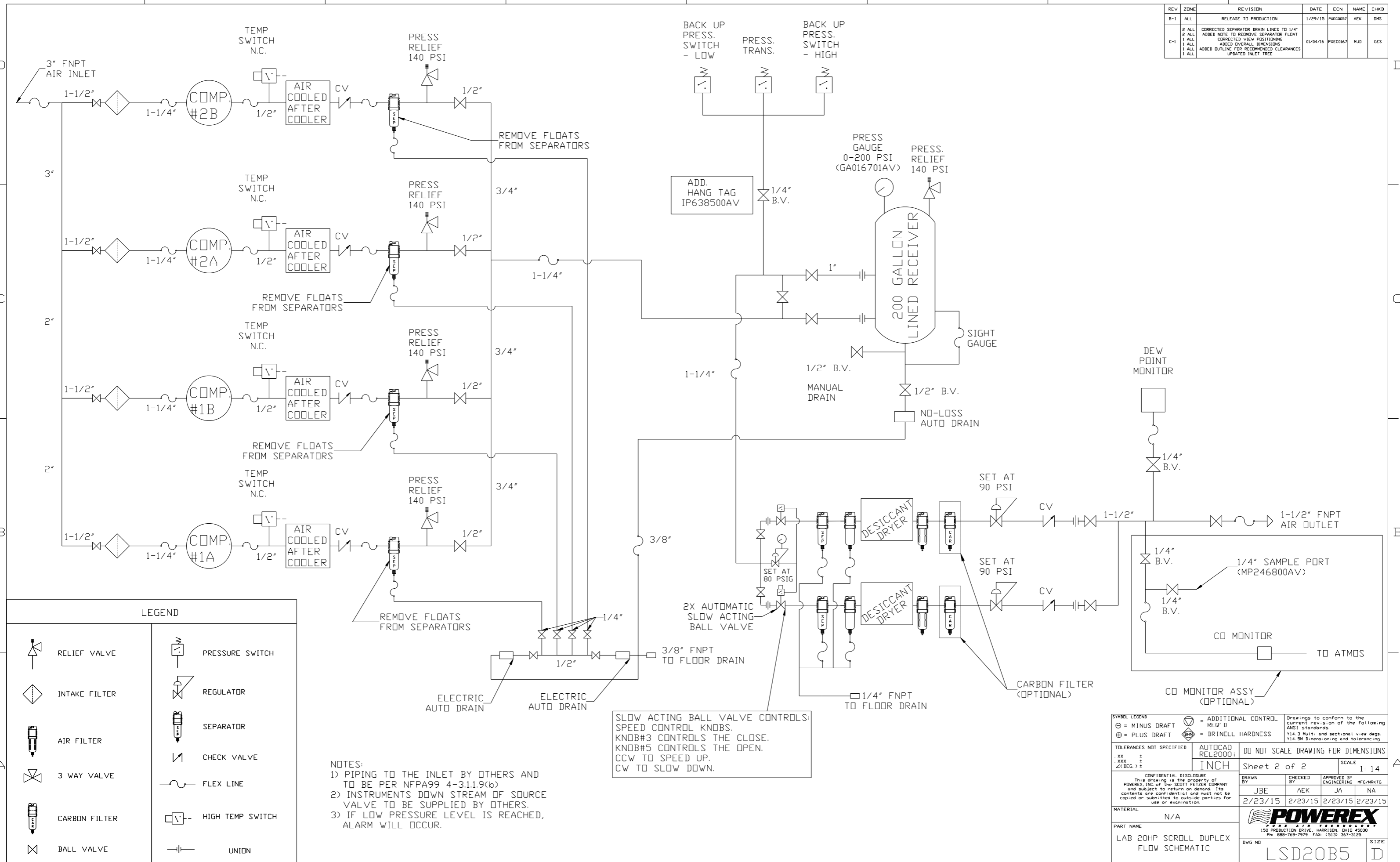
NOTES:  
1) RECOMMENDED 24" CLEARANCE AROUND SYSTEM  
2) INSTALL ELECTRICAL CONTROL PANEL WITH CLEARANCE PER OSHA/NEC RECOMMENDATIONS

NOTE: SYSTEM DESIGNED IN COMPLIANCE WITH US NFPA'99, LATEST EDITION.

SYMBOL LEGEND ⊖ = MINUS DRAFT ⊕ = PLUS DRAFT		⊕ = ADDITIONAL CONTROL REQ'D ⊕ = BRINELL HARDNESS		Drawings to conform to the current revision of the following ANSI standards: Y14.3 Multi and sectional view dgs Y14.5M Dimensioning and tolerancing	
TOLERANCES NOT SPECIFIED .XX ± .XXX ± <DEG. > ±		AUTOCAD REL2000 INCH		DO NOT SCALE DRAWING FOR DIMENSIONS Sheet 1 of 2 SCALE 1:14	
CONFIDENTIAL DISCLOSURE This drawing is the property of POWEREX, INC. or the SCOTT FEITZER COMPANY and subject to return on demand. Its contents are confidential and must not be copied or submitted to outside parties for use or examination.		DRAWN BY JBE	CHECKED BY AEK	APPROVED BY JA	MFG/MRKTG NA
MATERIAL N/A		DATE 2/23/15	DATE 2/23/15	DATE 02/20/15	DATE 2/23/15
PART NAME LAB DUPLEX SCROLL 20HP, 200GAL. BASEMOUNT DUPLEX DESICCANT		DWG NO LSD20B5		SIZE D	



REV	ZONE	REVISION	DATE	ECN	NAME	CHKD
B-1	ALL	RELEASE TO PRODUCTION	1/29/15	PXEC0097	AEK	DMS
2	ALL	CORRECTED SEPARATOR DRAIN LINES TO 1/4"				
1	ALL	ADDED NOTE TO REMOVE SEPARATOR FLOAT				
1	ALL	CORRECTED VIEW POSITIONING				
1	ALL	ADDED OVERALL DIMENSIONS	01/04/16	PXEC0167	MJD	GES
1	ALL	ADDED OUTLINE FOR RECOMMENDED CLEARANCES				
1	ALL	UPDATED INLET TREE				



**LEGEND**

	RELIEF VALVE		PRESSURE SWITCH
	INTAKE FILTER		REGULATOR
	AIR FILTER		SEPARATOR
	3 WAY VALVE		CHECK VALVE
	CARBON FILTER		FLEX LINE
	BALL VALVE		HIGH TEMP SWITCH
			UNION

**NOTES:**  
 1) PIPING TO THE INLET BY OTHERS AND TO BE PER NFPA99 4-3.1.1.9(b)  
 2) INSTRUMENTS DOWN STREAM OF SOURCE VALVE TO BE SUPPLIED BY OTHERS.  
 3) IF LOW PRESSURE LEVEL IS REACHED, ALARM WILL OCCUR.

**SLOW ACTING BALL VALVE CONTROLS:**  
 SPEED CONTROL KNOBS.  
 KNOB#3 CONTROLS THE CLOSE.  
 KNOB#5 CONTROLS THE OPEN.  
 CCW TO SPEED UP.  
 CW TO SLOW DOWN.

SYMBOL LEGEND		DRAWINGS TO CONFORM TO THE CURRENT REVISION OF THE FOLLOWING ANSI STANDARDS:	
⊖ = MINUS DRAFT	⊕ = PLUS DRAFT	⊕ = ADDITIONAL CONTROL REQ'D	Y14.3 Multi and sectional view deqs.
TOLERANCES NOT SPECIFIED		DO NOT SCALE DRAWING FOR DIMENSIONS	
AUTOCAD REL2000:		Sheet 2 of 2	
INCH		SCALE 1:14	
CONFIDENTIAL DISCLOSURE			
This drawing is the property of POWEREX, INC. of the SCOTT FETZER COMPANY and subject to return on demand. Its contents are confidential and must not be copied or submitted to outside parties for use or examination.			
DRAWN BY	CHECKED BY	APPROVED BY	DATE
JBE	AEK	JA	2/23/15
MATERIAL	N/A		
PART NAME		LAB 20HP SCROLL DUPLEX FLOW SCHEMATIC	
DWG NO		LSD20B5	
SIZE		D	

