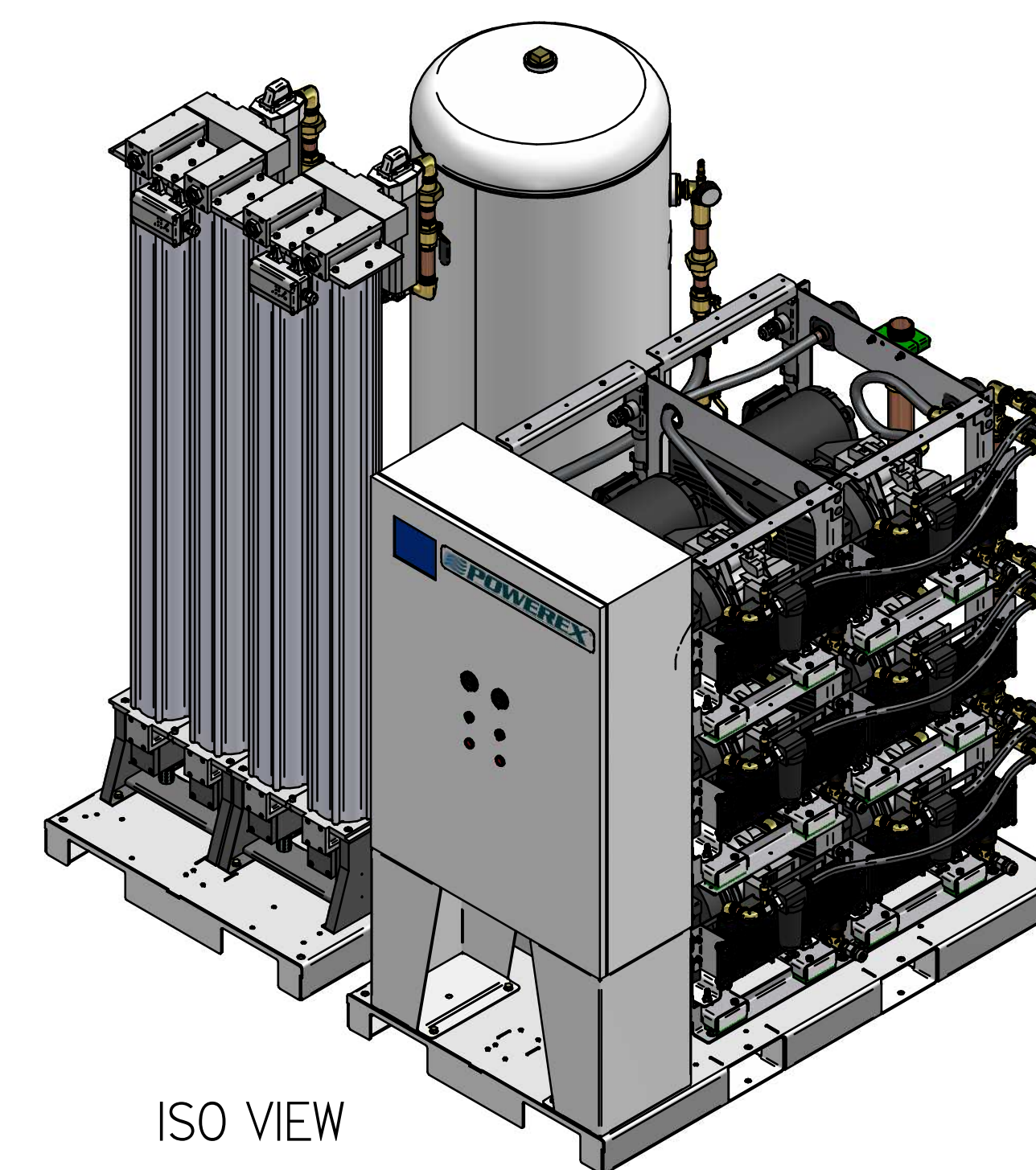
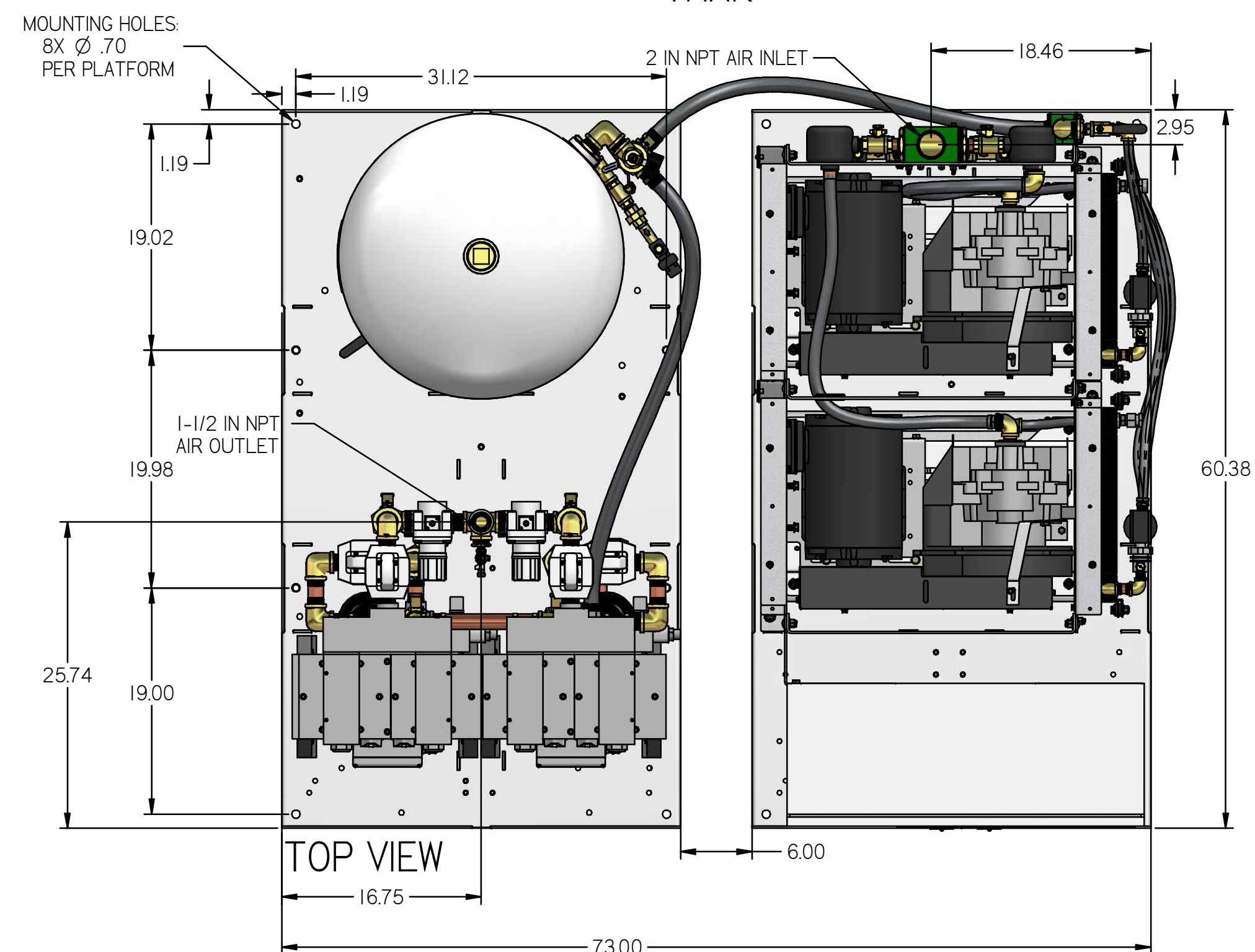


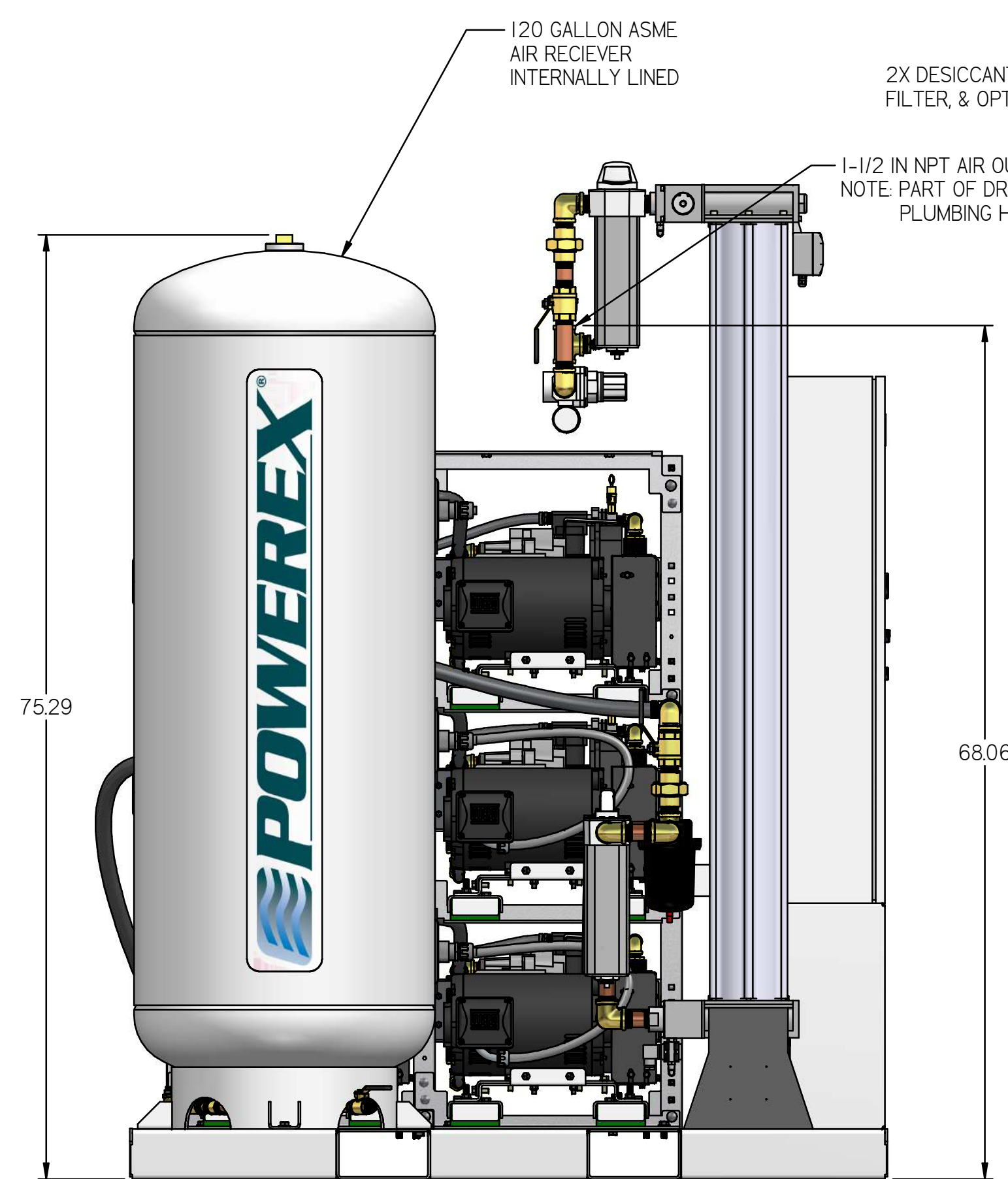
LSH05A4

LAB OPEN SCROLL 5 HP HEXAPLEX WITH 120 GALLON TANK

| REVISION NOTES | | |
|--------------------|----------|--------|
| DESCRIPTION | ECN | PR/NOR |
| PRODUCTION RELEASE | PXECO169 | N/A |

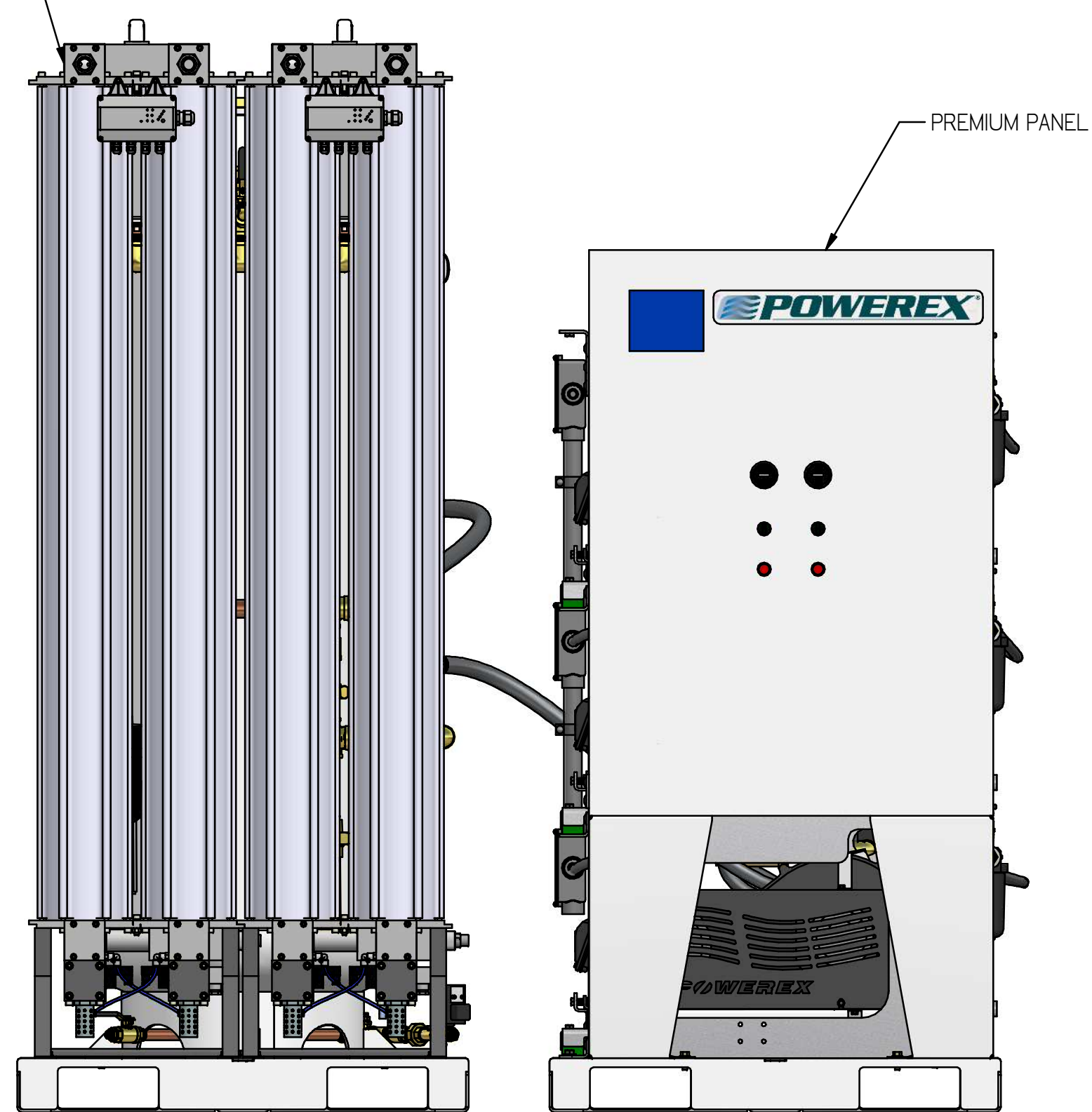


ISO VIEW

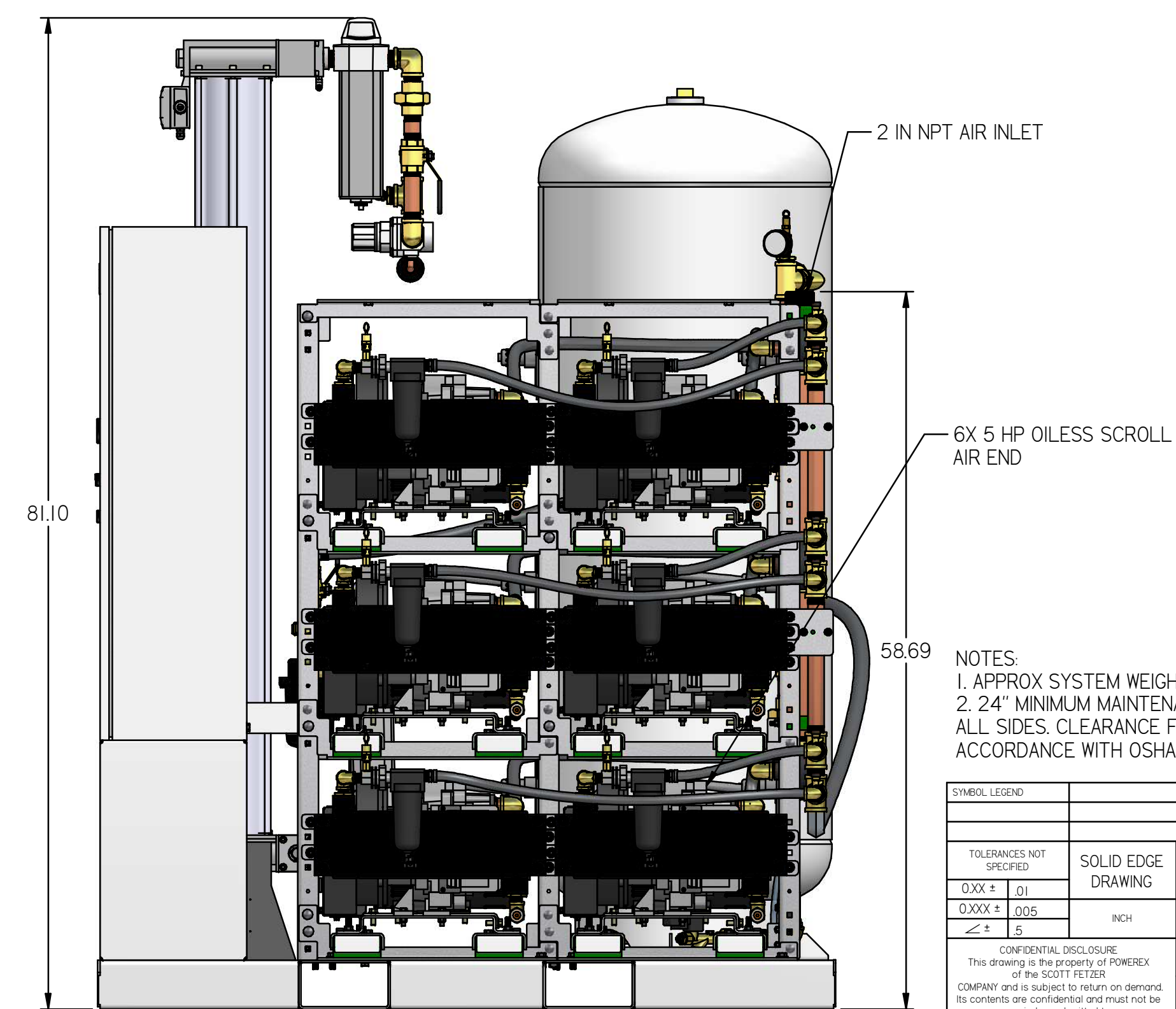


LEFT VIEW

2X DESICCANT DRYER WITH PREFILTER, AFTER FILTER, & OPTIONAL CHARCOAL FILTER



FRONT VIEW



RIGHT VIEW

- NOTES:
- APPROX SYSTEM WEIGHT: 3044 LB
 - 24" MINIMUM MAINTENANCE CLEARANCE RECOMMENDED ALL SIDES. CLEARANCE FOR CONTROL PANEL SHALL BE IN ACCORDANCE WITH OSHA/NEC REQUIREMENTS

| | | | |
|---|--------------------|---|------------------|
| SYMBOL LEGEND | | DRAWINGS TO CONFORM TO CURRENT REVISION OF THE FOLLOWING ANSI STANDARDS: Y14.3 MULTI-VIEW AND SECTIONAL VIEW DWS Y14.5 DIMENSIONING AND TOLERANCING | |
| TOLERANCES NOT SPECIFIED | SOLID EDGE DRAWING | DO NOT SCALE DRAWING FOR DIMENSIONS | |
| 0.00X ± .01 | INCH | SHEET 1 OF 4 | SCALE 1:10 |
| 0.00X ± .005 | | APPROVALS ON FILE IN PLM | |
| CONFIDENTIAL DISCLOSURE This drawing is the property of POWEREX of the SCOTT FETTER COMPANY and is subject to return on demand. Its contents are confidential and must not be copied or submitted to outside parties for use or examination. | | AUTHOR | ORIGINATION DATE |
| MATERIAL: 716110 | | ASoulek | 10/31/2018 |
| SEE PART DRAWINGS | | APPROVALS ON FILE IN PLM | |
| DESCRIPTION: LAB OPEN SCROLL 5 HP HEXAPLEX WITH 120 GALLON TANK | | DRAWING NUMBER: LSH05A4 | REVISION: B |
| | | SIZE: B | D |

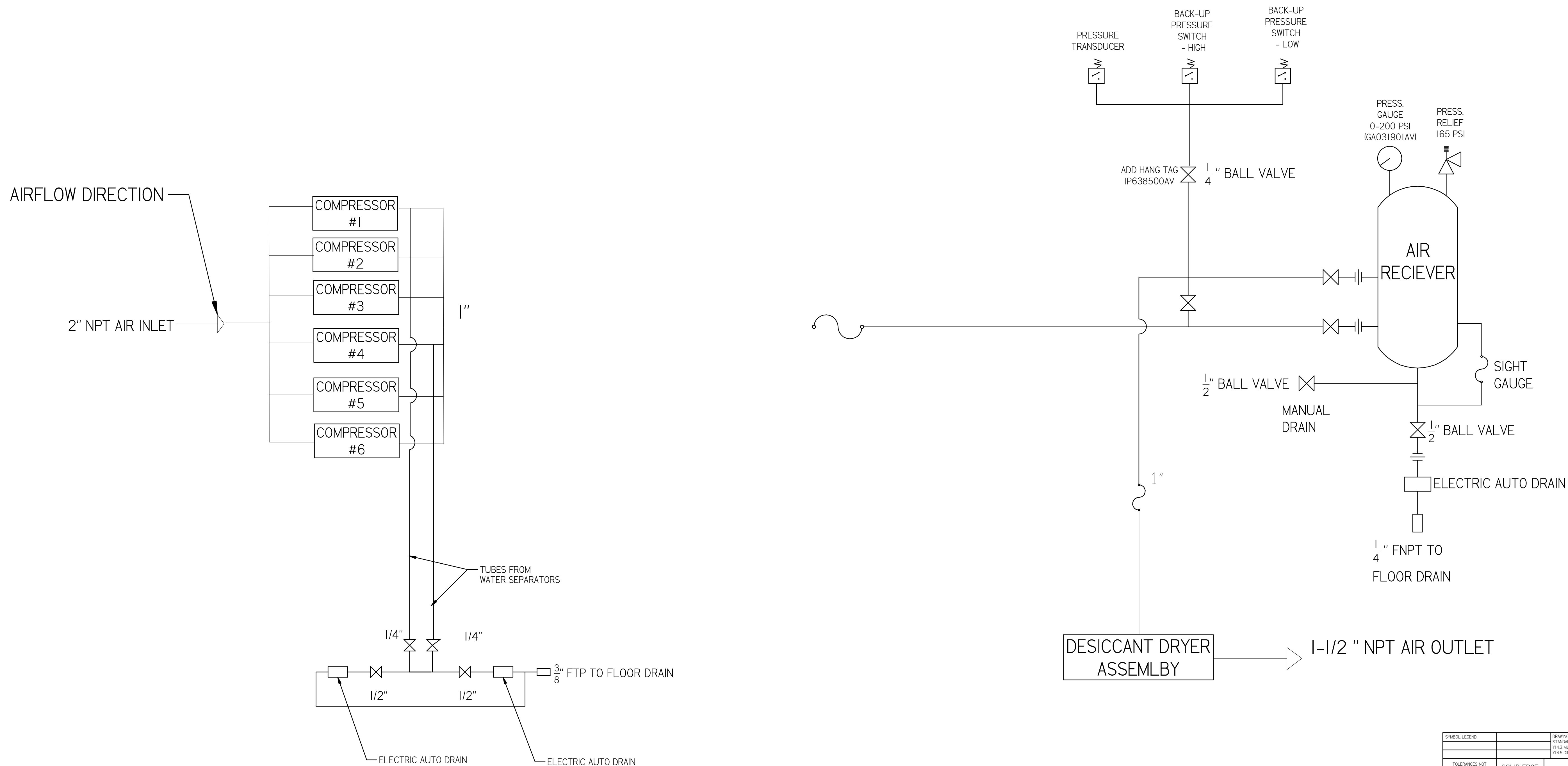


LSH05A4

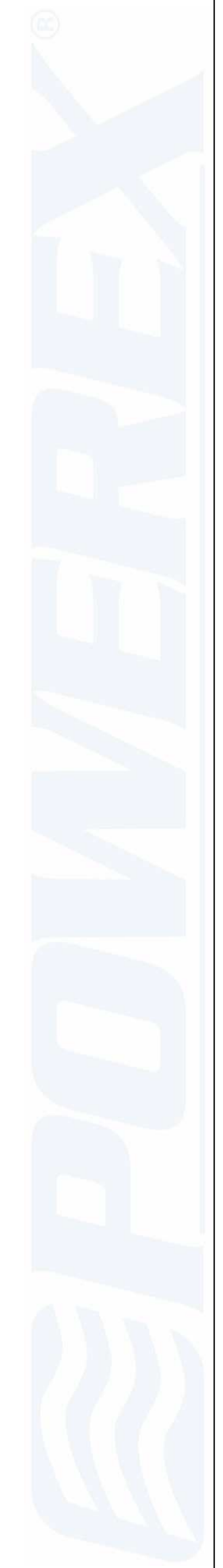
LAB OPEN SCROLL 5 HP
HEXAPLEX WITH 120 GALLON
TANK

FLOW DIAGRAM

| REVISION NOTES | | |
|--------------------|----------|--------|
| DESCRIPTION | ECN | PR/NOR |
| PRODUCTION RELEASE | PXECO169 | N/A |



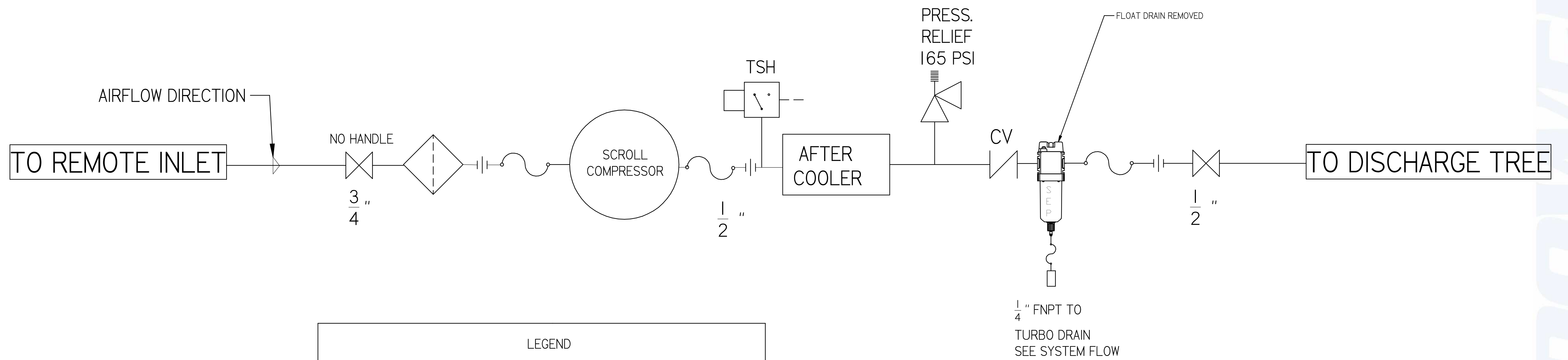
| | | | | |
|--|--------------------|---|-------------------------------|---------------------------|
| SYMBOL LEGEND | | DRAWINGS TO CONFORM TO CURRENT REVISION OF THE FOLLOWING ANSI STANDARDS: Y14.3 MULTI AND SECTIONAL VIEW DWGS Y14.5 DIMENSIONING AND TOLERANCING | | |
| TOLERANCES NOT SPECIFIED | SOLID EDGE DRAWING | DO NOT SCALE DRAWING FOR DIMENSIONS | | |
| 0.000 ± .01 | INCH | SHEET 2 OF 4 | SCALE | 1:1 |
| 0.000 ± .005 | | | | |
| <small>CONFIDENTIAL DISCLOSURE</small> This drawing is the property of POWEREX or the SCOTT FETTER COMPANY and is subject to return on demand. Its contents are confidential and must not be copied or submitted to outside parties for use or examination. | | AUTHOR | ORIGINATION DATE | APPROVALS ON FILE IN PLM |
| <small>FROM B:</small> 716110 <small>MATERIAL:</small> SEE PART DRAWINGS | | ASoulek | 10/31/2018 | |
| <small>DESCRIPTION:</small> LAB OPEN SCROLL 5 HP HEXAPLEX WITH 120 GALLON TANK | | <small>DRAWING NUMBER:</small> LSH05A4 | <small>REVISION:</small> B | <small>SIZE:</small> D |

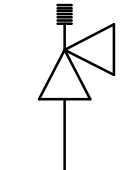
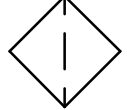
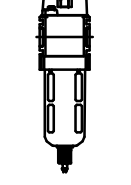

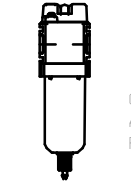

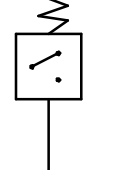
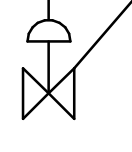
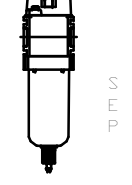


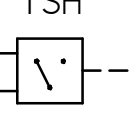



| REVISION NOTES | | |
|--------------------|----------|--------|
| DESCRIPTION | ECN | PR/NOR |
| PRODUCTION RELEASE | PXECO169 | N/A |

LSH05A4

LAB OPEN SCROLL 5 HP
HEXAPLEX WITH 120 GALLON
TANK
LAB COMPRESSOR
FLOW DIAGRAM



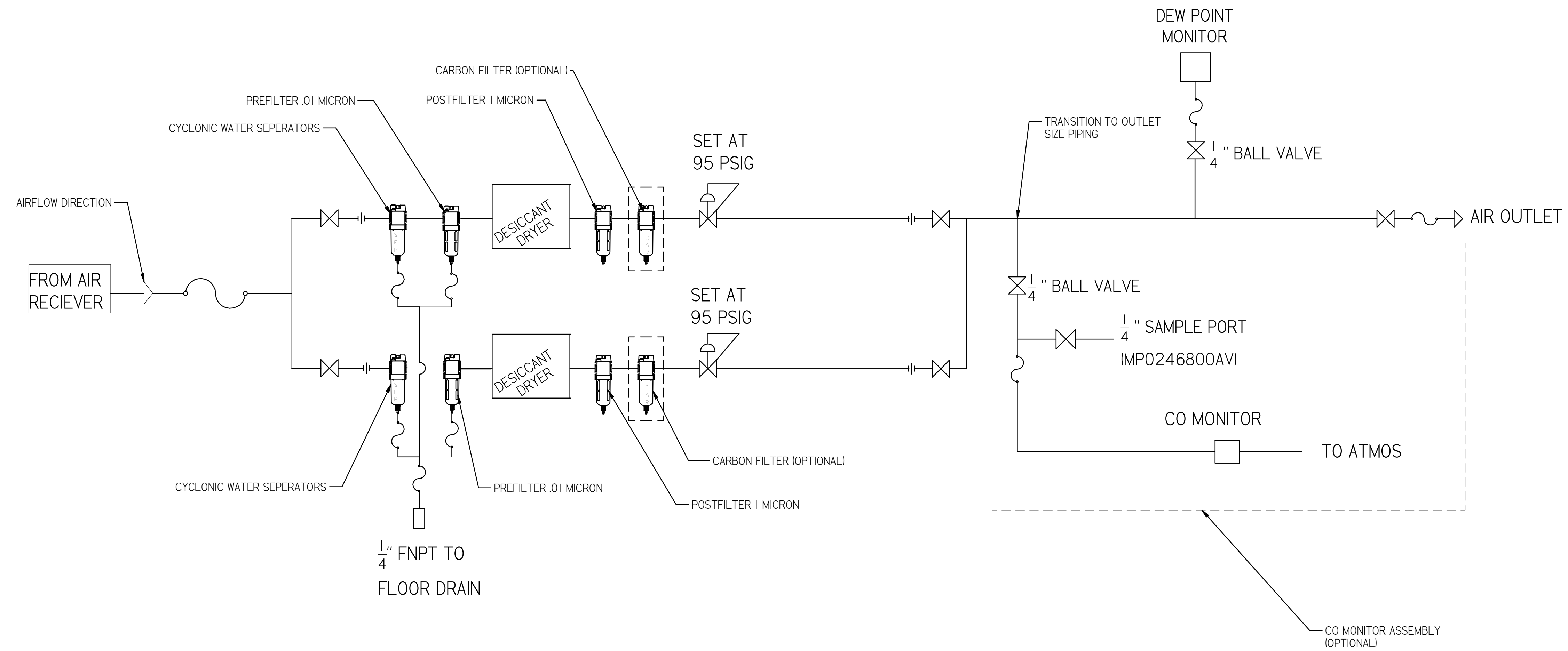
| LEGEND | |
|---|-------------------------|
|  | RELIEF VALVE |
|  | INTAKE FILTER |
|  | AIR FILTER |
|  | 3 WAY VALVE |
|  | CARBON FILTER |
|  | BALL VALVE |
|  | PRESSURE SWITCH |
|  | REGULATOR |
|  | SEPARATOR |
|  | CHECK VALVE |
|  | FLEX LINE |
|  | TSH HIGH TEMP SWITCH |

| | | | |
|--|--------------------|---|------------------------------|
| SYMBOL LEGEND | | DRAWINGS TO CONFORM TO CURRENT REVISION OF THE FOLLOWING ANSI STANDARDS: | |
| | | Y14.3 MULTI AND SECTIONAL VIEW DWGS | |
| | | Y14.5 DIMENSIONING AND TOLERANCING | |
| TOLERANCES NOT SPECIFIED | SOLID EDGE DRAWING | DO NOT SCALE DRAWING FOR DIMENSIONS | |
| 0.000 ± .01 | INCH | SHEET 3 OF 4 | SCALE 1:1 |
| 0.000 ± .005 | | | |
| <small>CONFIDENTIAL DISCLOSURE</small> This drawing is the property of POWEREX of the SCOTT FETTER COMPANY and is subject to return on demand. Its contents are confidential and must not be copied or submitted to outside parties for use or examination. | | AUTHOR | ORIGINATION DATE |
| | | ASoulek | 10/31/2018 |
| TITLE: Z16110 | |  | |
| MATERIAL: SEE PART DRAWINGS | | 150 PRODUCTION DRIVE, HARRISON OH 45030 (938) 716-7279 | |
| DESCRIPTION: LAB OPEN SCROLL 5 HP HEXAPLEX WITH 120 GALLON TANK | | DRAWING NUMBER: LSH05A4 | REVISION: B SIZE: D |

| REVISION NOTES | | |
|--------------------|----------|--------|
| DESCRIPTION | ECN | PR/NOR |
| PRODUCTION RELEASE | PXECO169 | N/A |

LSH05A4

LAB OPEN SCROLL 5 HP
HEXAPLEX WITH 120 GALLON
TANK
LAB DRYER
FLOW DIAGRAM



| PUMP COUNT | DRYER PLUMBING SIZE | OUTLET PIPE SIZE |
|------------|---------------------|------------------|
| 2 | 1/2" | 1/2" |
| 3 | 1/2" | 1" |
| 4 | 1" | 1-1/4" |
| 6 | 1" | 1-1/2" |
| 8 | 1" | 1-1/2" |
| 9 | 1" | 1-1/2" |
| 12 | 1-1/2" | 2" |
| 15 | 1-1/2" | 2" |
| 18 | 1-1/2" | 2" |

| | | | |
|---|--------------------|---|--|
| SYMBOL LEGEND | | DRAWINGS TO CONFORM TO CURRENT REVISION OF THE FOLLOWING ANSI STANDARDS: Y14.3 MULTI AND SECTIONAL VIEW DWGS Y14.5 DIMENSIONING AND TOLERANCING | |
| TOLERANCES NOT SPECIFIED | SOLID EDGE DRAWING | DO NOT SCALE DRAWING FOR DIMENSIONS | |
| 0.XXX ± .01 | INCH | SHEET 4 OF 4 | SCALE 1:1 |
| 0.XXX ± .005 | | | |
| <small>CONFIDENTIAL DISCLOSURE</small> <small>This drawing is the property of POWEREX or the SCOTT FETTER COMPANY and is subject to return on demand. Its contents are confidential and must not be copied or submitted to outside parties for use or examination.</small> | | AUTHOR | APPROVALS ON FILE IN PLM |
| <small>FROM:</small> 716110 <small>MATERIAL:</small> SEE PART DRAWINGS | | ASoulek | 10/31/2018 |
| <small>DESCRIPTION:</small> LAB OPEN SCROLL 5 HP HEXAPLEX WITH 120 GALLON TANK | | <small>DRAWING NUMBER:</small> LSH05A4 | <small>REVISION:</small> B <small>SIZE:</small> D |

