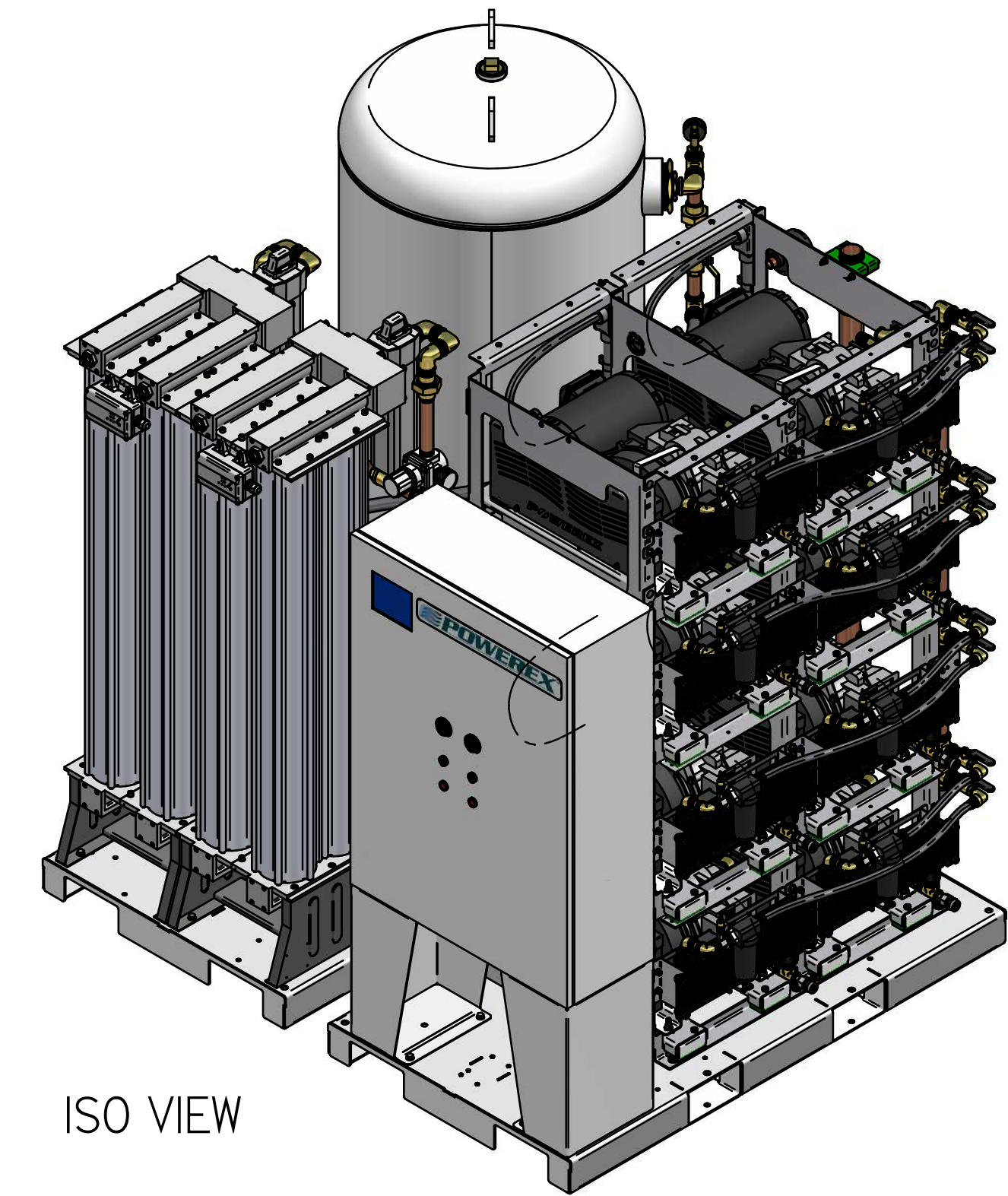
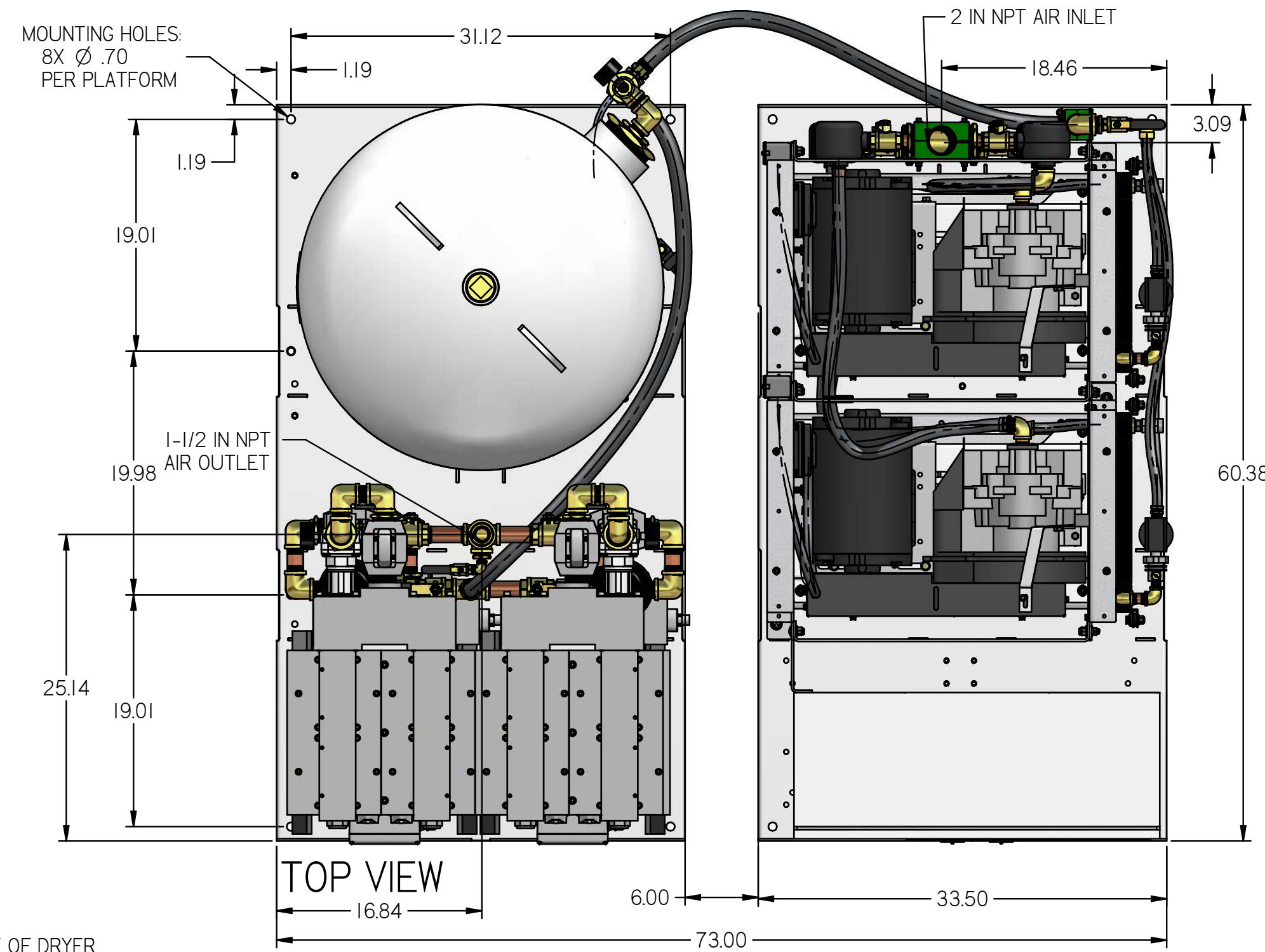


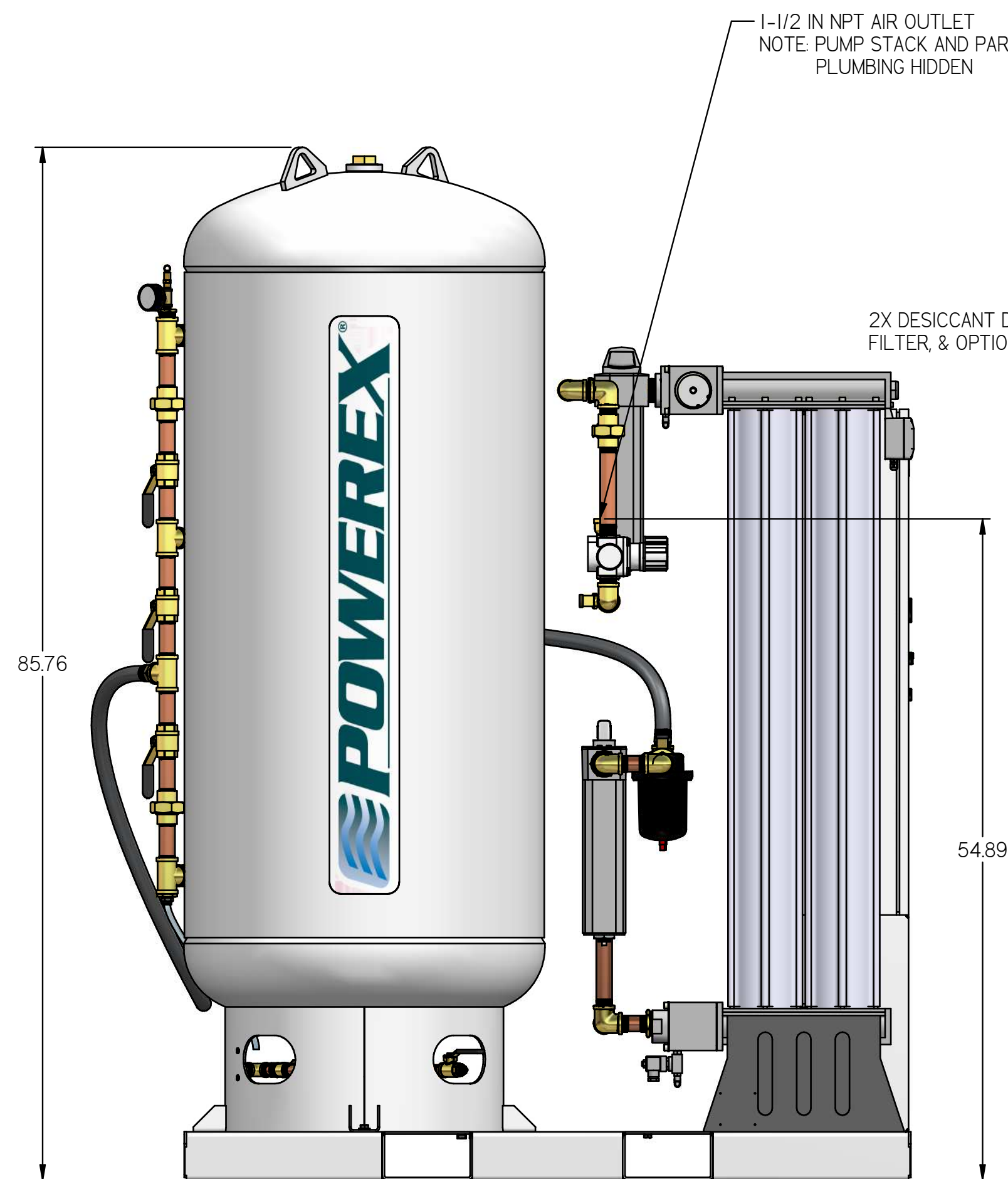
REVISION NOTES		
DESCRIPTION	ECN	PR/NOR
PRODUCTION RELEASE	PXEC0169	N/A

LS005A5

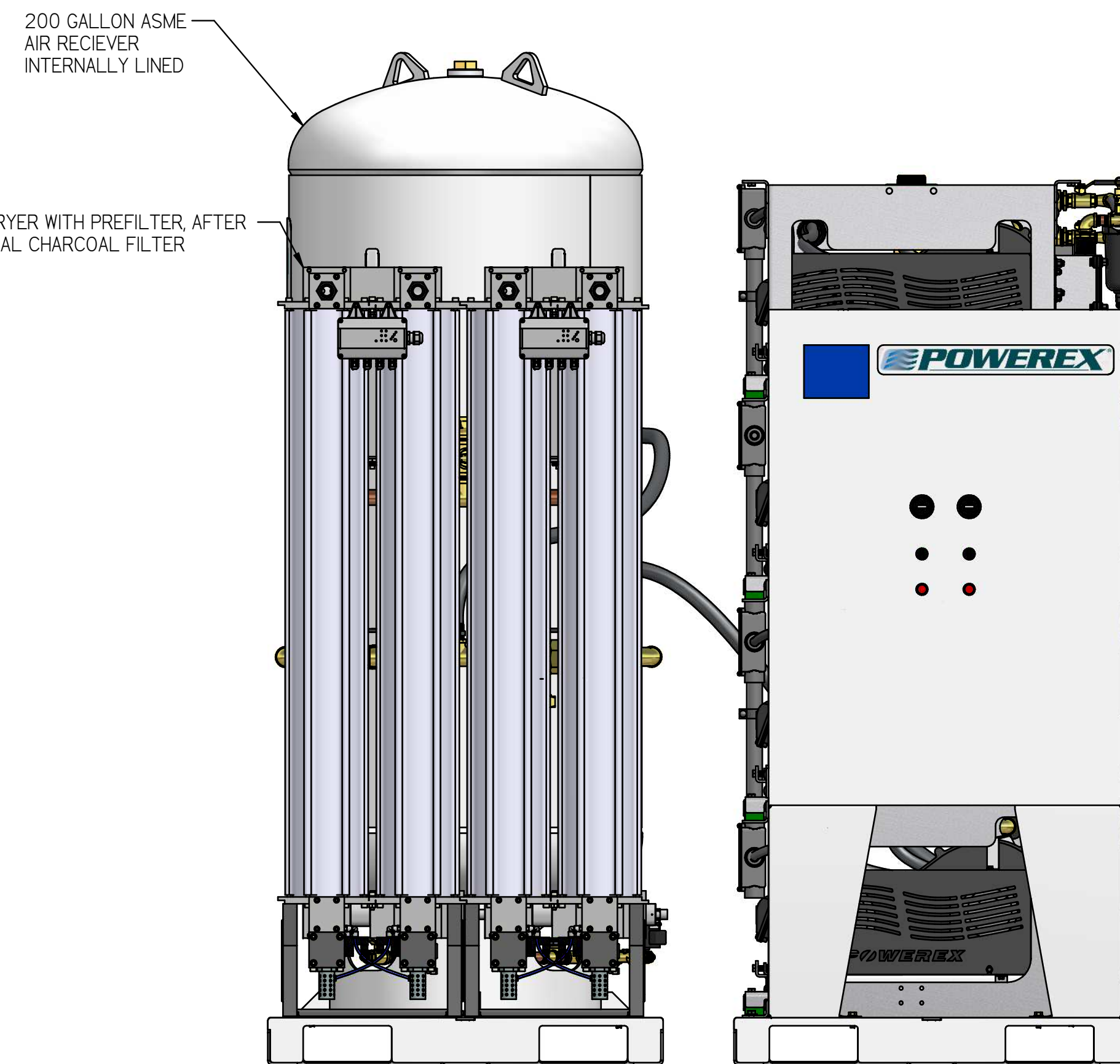
LAB OPEN SCROLL 5 HP
OCTOPLEX WITH 200
GALLON TANK



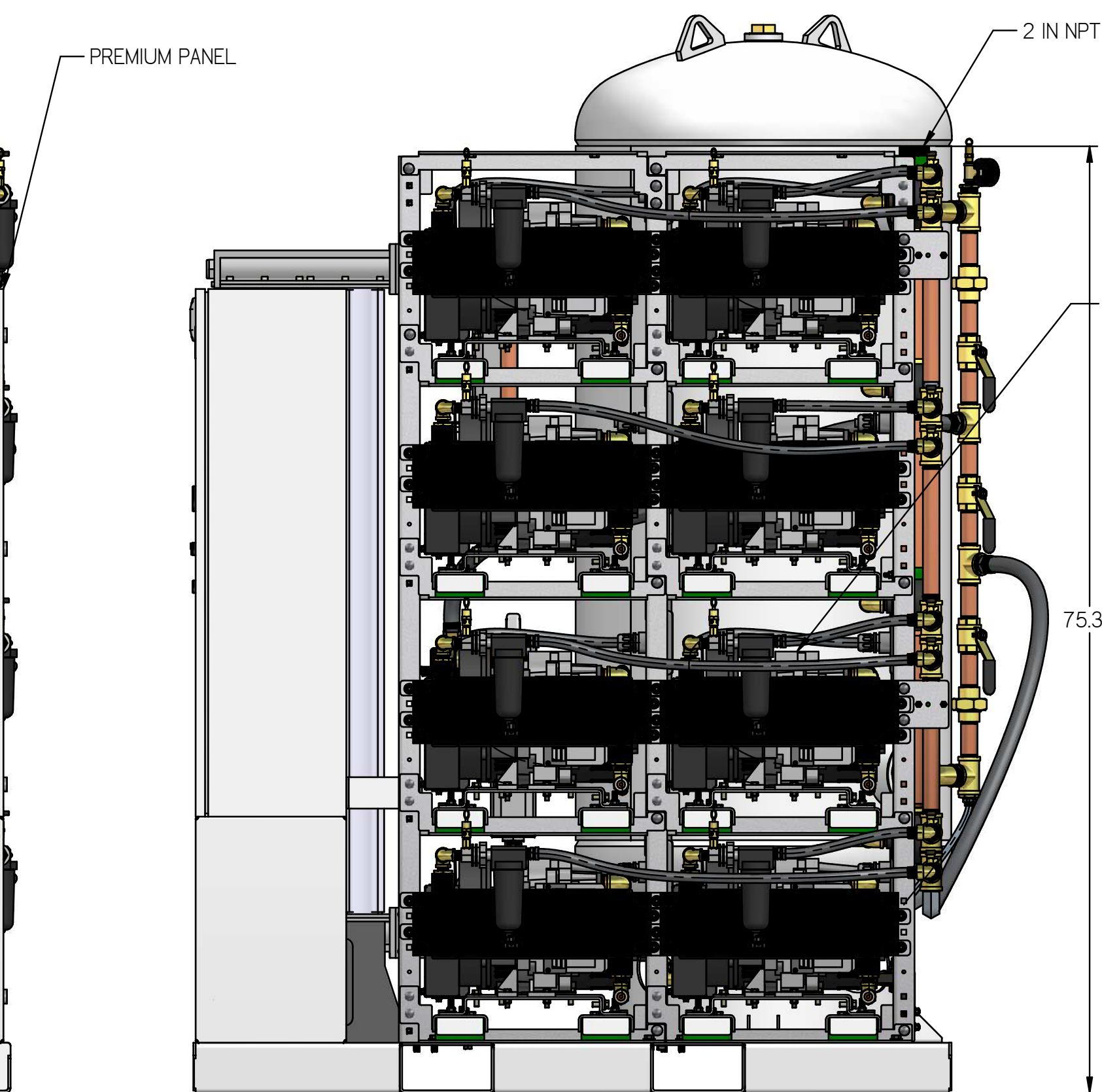
ISO VIEW



LEFT VIEW



FRONT VIEW



RIGHT VIEW

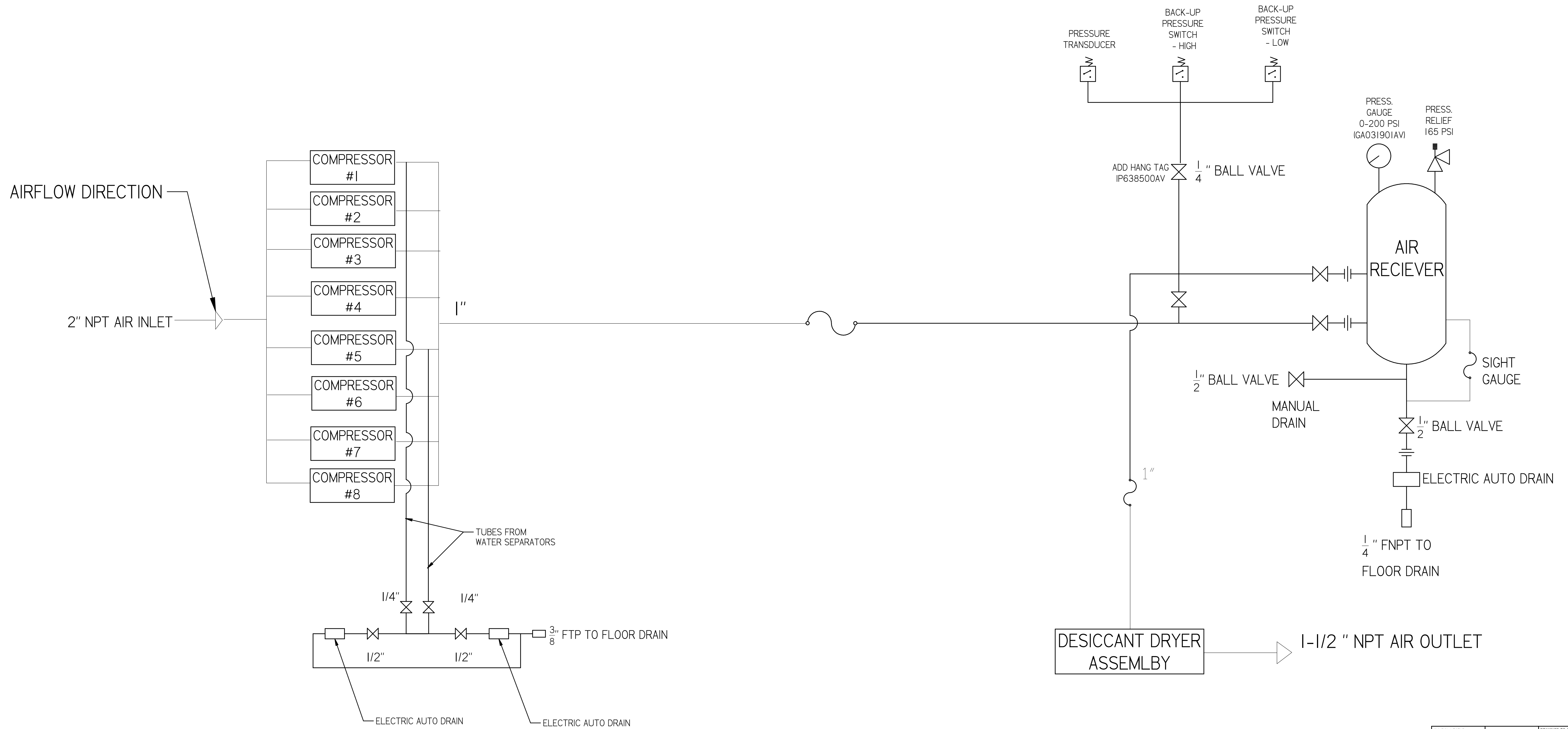
NOTES:
1. APPROX SYSTEM WEIGHT: 4282 LB
2. 24" MINIMUM MAINTENANCE CLEARANCE RECOMMENDED ALL SIDES. CLEARANCE FOR CONTROL PANEL SHALL BE IN ACCORDANCE WITH OSHA/NEC REQUIREMENTS

SYMBOL LEGEND		DRAWINGS TO CONFORM TO CURRENT REVISION OF THE FOLLOWING ANSI STANDARDS:	
TOLERANCES NOT SPECIFIED	SOLID EDGE DRAWING	Y14.3 MULTI AND SECTIONAL VIEW DIMS	DO NOT SCALE DRAWING FOR DIMENSIONS
0.00X ± .01		Y14.5 DIMENSIONING AND TOLERANCING	
0.000X ± .005	INCH	SHEET 1 OF 4	SCALE 1:10
<small>CONFIDENTIAL DISCLOSURE</small> This drawing is the property of POWEREX of the SCOTT FETTER COMPANY and is subject to return on demand. Its contents are confidential and must not be copied or submitted to outside parties for use or examination.		<small>AUTHOR</small> ASoulek	<small>ORIGINATION DATE</small> 11/5/2018
<small>FIGURE</small> 716118	<small>MATERIAL</small> SEE PART DRAWINGS		
<small>DESCRIPTION</small> LAB OPEN SCROLL 5 HP OCTOPLEX WITH 200 GALLON TANK	<small>DRAWING NUMBER</small> LS005A5	<small>REVISION</small> B	<small>SIZE</small> D

REVISION NOTES		
DESCRIPTION	ECN	PR/NOR
PRODUCTION RELEASE	PXECO169	N/A

LS005A5

LAB OPEN SCROLL 5 HP
OCTOPLEX WITH 200
GALLON TANK
SYSTEM FLOW DIAGRAM

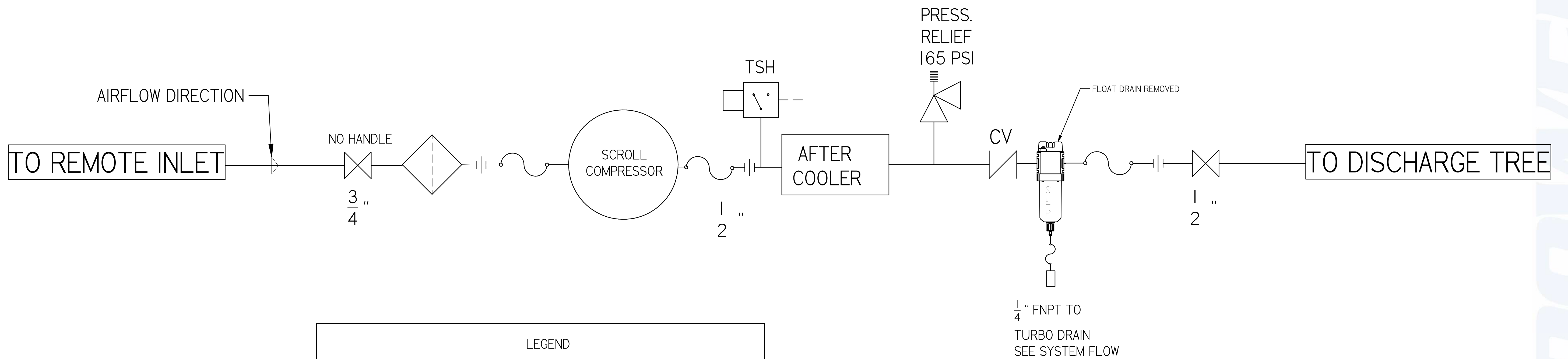


SYMBOL LEGEND		DRAWINGS TO CONFORM TO CURRENT REVISION OF THE FOLLOWING ANSI STANDARDS:	
TOLERANCES NOT SPECIFIED	SOLID EDGE DRAWING	Y14.3 MULTI AND SECTIONAL VIEW DIMS	Y14.5 DIMENSIONING AND TOLERANCING
0.001 ± .001		DO NOT SCALE DRAWING FOR DIMENSIONS	
0.005 ± .005		SHEET 2 OF 4	SCALE 1:1
0.010 ± .010		APPROVALS ON FILE IN PLM	
<small>CONFIDENTIAL DISCLOSURE</small> This drawing is the property of POWEREX of the SCOTT FETTER COMPANY and is subject to return on demand. Its contents are confidential and must not be copied or submitted to outside parties for use or examination.		AUTHOR	ORIGINATION DATE
FROM: 716118 MATERIAL: SEE PART DRAWINGS		ASoulek	11/5/2018
DRAWING NUMBER: LS005A5 REVISION: B SIZE: D			

REVISION NOTES		
DESCRIPTION	ECN	PR/NOR
PRODUCTION RELEASE	PXEC0169	N/A

LS005A5

LAB OPEN SCROLL 5 HP
OCTOPLEX WITH 200
GALLON TANK
LAB COMPRESSOR
FLOW DIAGRAM



LEGEND	
	RELIEF VALVE
	INTAKE FILTER
	AIR FILTER
	3 WAY VALVE
	CARBON FILTER
	BALL VALVE
	PRESSURE SWITCH
	REGULATOR
	SEPARATOR
	CHECK VALVE
	FLEX LINE
	TSH HIGH TEMP SWITCH

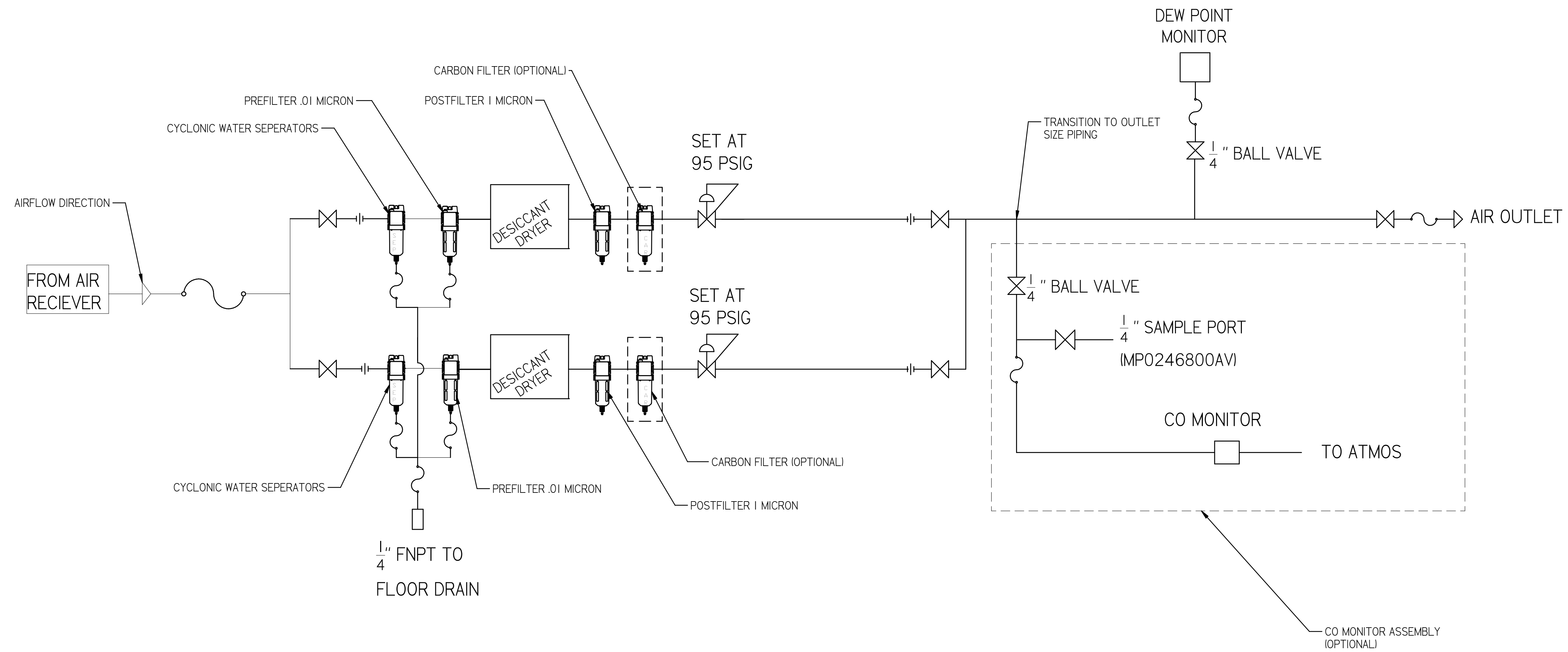
SYMBOL LEGEND		DRAWINGS TO CONFORM TO CURRENT REVISION OF THE FOLLOWING ANSI STANDARDS:	
TOLERANCES NOT SPECIFIED:		Y14.3 MULTI AND SECTIONAL VIEW DIMS	
0.001 ± .01	SOLID EDGE DRAWING	Y14.5 DIMENSIONING AND TOLERANCING	
0.005 ± .005		SHEET 3 OF 4	SCALE I:1
± .5	INCH	APPROVALS ON FILE IN PLM	
<small>CONFIDENTIAL DISCLOSURE</small> This drawing is the property of POWEREX of the SCOTT FETTER COMPANY and is subject to return on demand. Its contents are confidential and must not be copied or submitted to outside parties for use or examination.		AUTHOR	ORIGINATION DATE
TITLE: 716118 MATERIAL: SEE PART DRAWINGS		ASoulek	11/5/2018
DESCRIPTION: LAB OPEN SCROLL 5 HP OCTOPLEX WITH 200 GALLON TANK		DRAWING NUMBER	REVISION
		LS005A5	B
			D



REVISION NOTES		
DESCRIPTION	ECN	PR/NOR
PRODUCTION RELEASE	PXECO169	N/A

LS005A5

LAB OPEN SCROLL 5 HP
OCTOPLEX WITH 200
GALLON TANK
LAB DRYER
FLOW DIAGRAM



PIPE SIZE CHART		
PUMP COUNT	DRYER PLUMBING SIZE	OUTLET PIPE SIZE
2	1/2"	1/2"
3	1/2"	1"
4	1"	1-1/4"
6	1"	1-1/2"
8	1"	1-1/2"
9	1"	1-1/2"
12	1-1/2"	2"
15	1-1/2"	2"
18	1-1/2"	2"

SYMBOL LEGEND		DRAWINGS TO CONFORM TO CURRENT REVISION OF THE FOLLOWING ANSI STANDARDS: Y14.3 MULTI AND SECTIONAL VIEW DIMS Y14.5 DIMENSIONING AND TOLERANCING		
TOLERANCES NOT SPECIFIED	SOLID EDGE DRAWING	DO NOT SCALE DRAWING FOR DIMENSIONS		
0.XXX ± .01	INCH	SHEET 4 OF 4	SCALE 1:1	
0.XXX ± .005				
± .5				
<small>CONFIDENTIAL DISCLOSURE</small> This drawing is the property of POWEREX or the SCOTT FETTER COMPANY and is subject to return on demand. Its contents are confidential and must not be copied or submitted to outside parties for use or examination.		AUTHOR	ORIGINATION DATE	APPROVALS ON FILE IN PLM
FROM: 716118 MATERIAL: SEE PART DRAWINGS		ASoulek	11/5/2018	
DESCRIPTION: LAB OPEN SCROLL 5 HP OCTOPLEX WITH 200 GALLON TANK		DRAWING NUMBER: LS005A5	REVISION: B	SIZE: D

