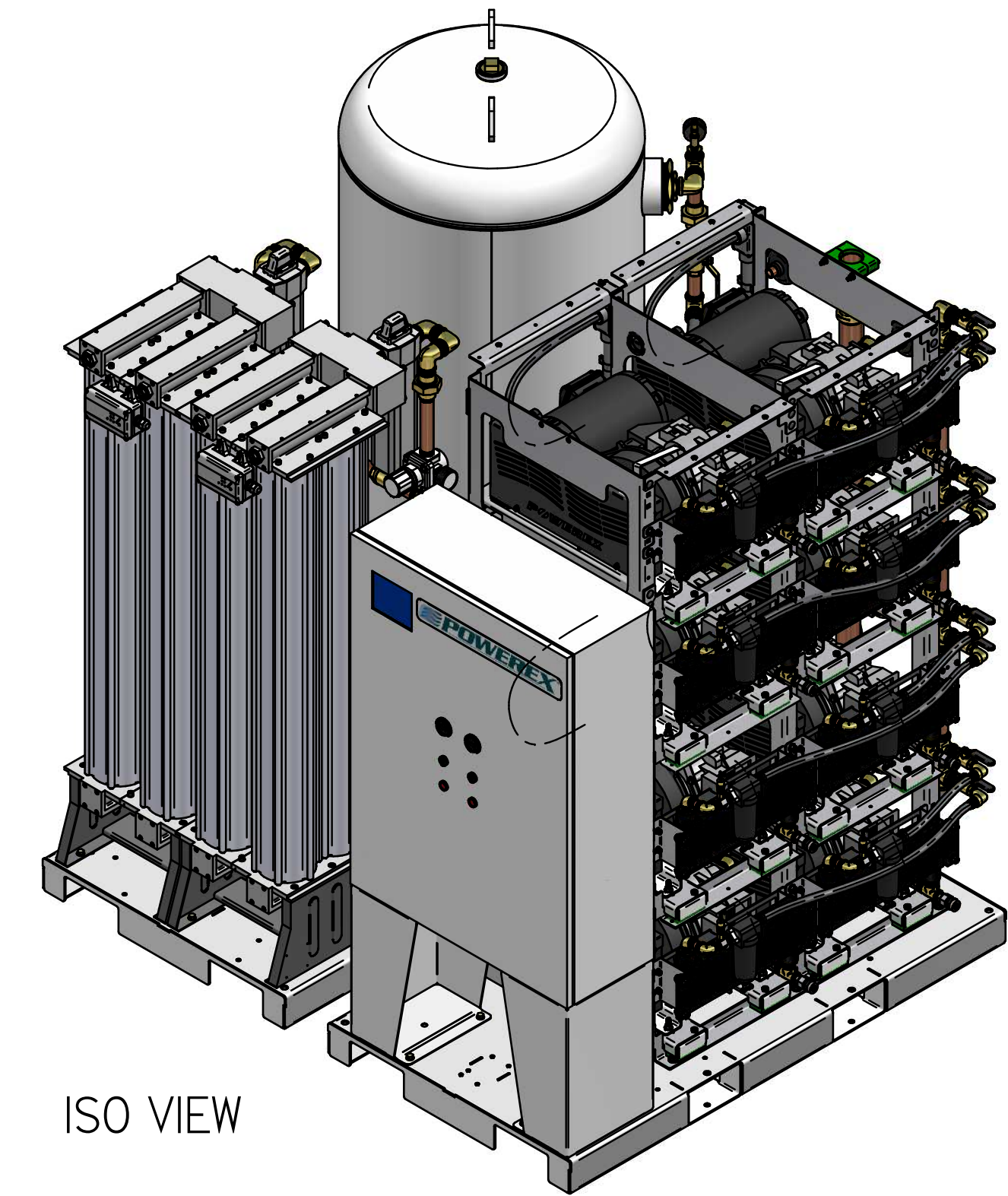
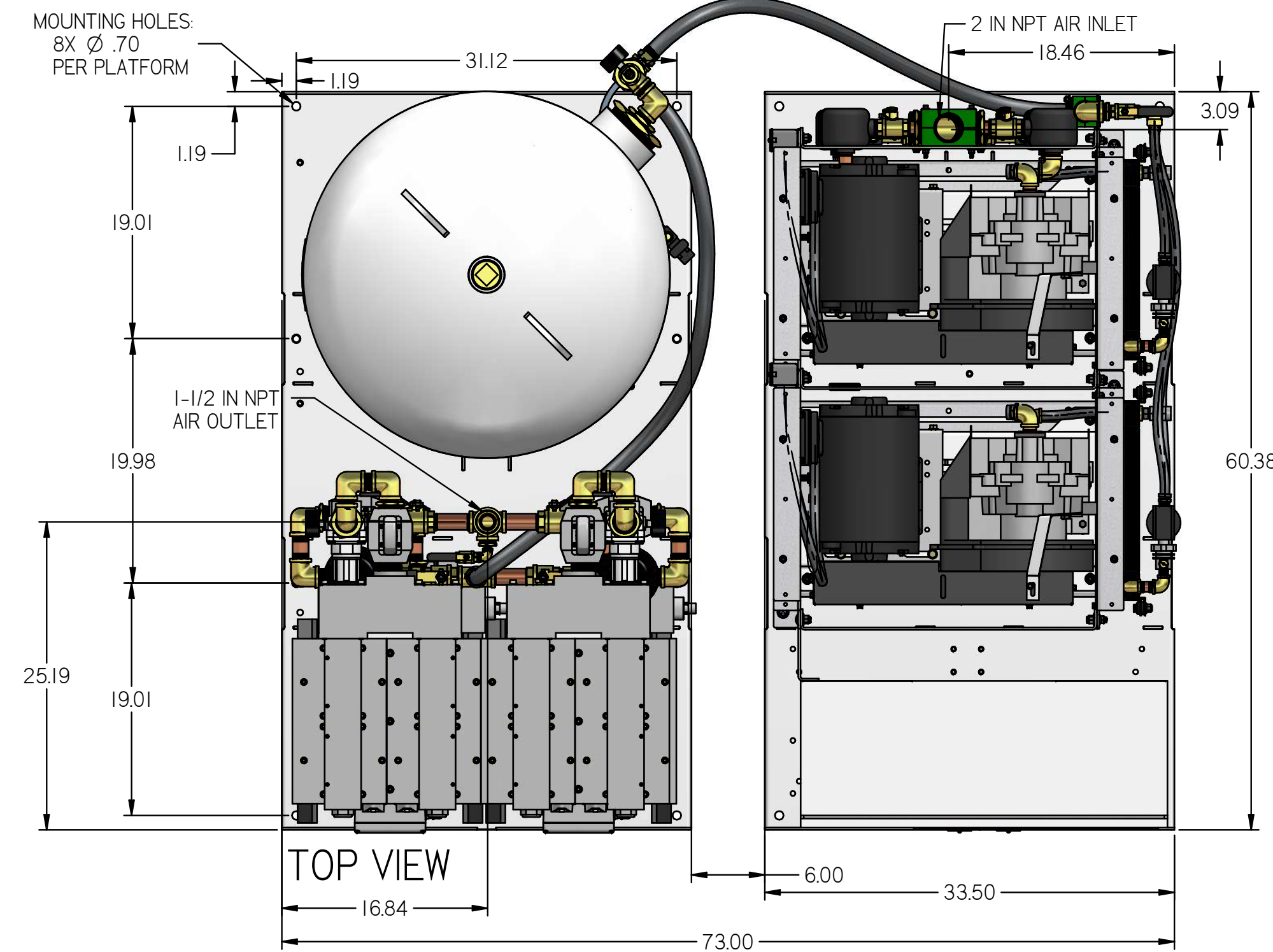


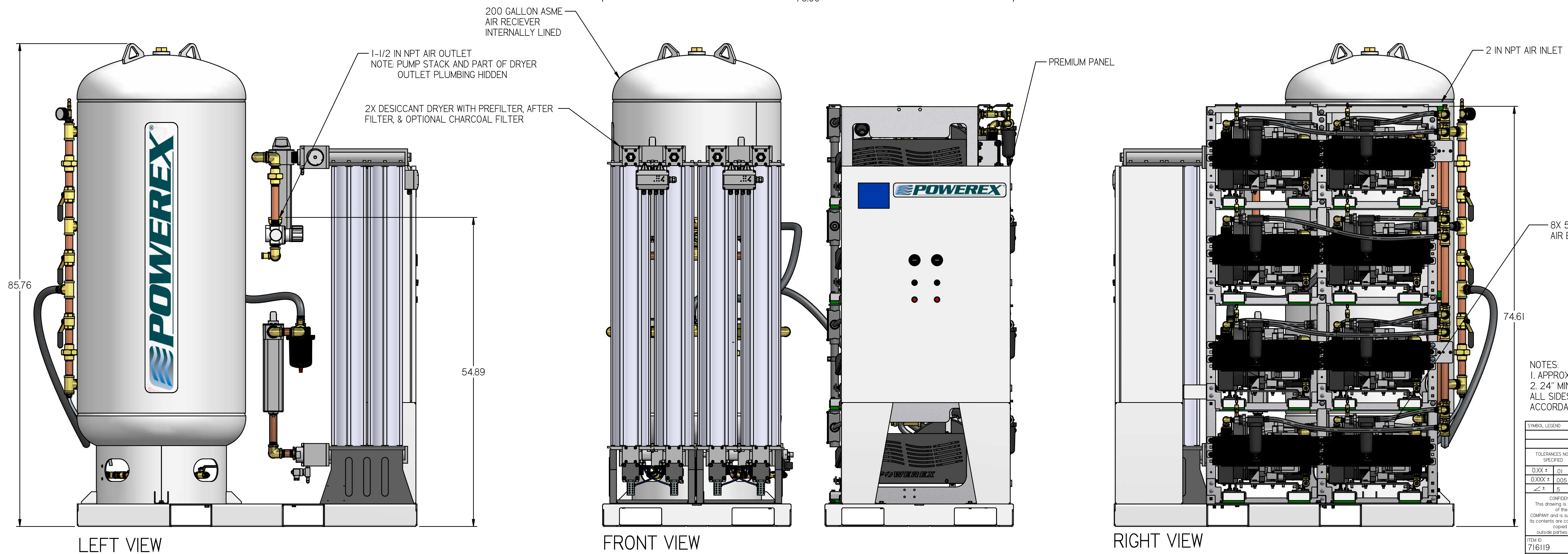
REVISION NOTES		
DESCRIPTION	ECN	PR/NOR
PRODUCTION RELEASE	PXEC0169	N/A

# LSQ10A5

## LAB OPEN SCROLL 10 HP QUADPLEX WITH 200 GALLON TANK



ISO VIEW



- NOTES:
- APPROX SYSTEM WEIGHT: 4283 LB
  - 24" MINIMUM MAINTENANCE CLEARANCE RECOMMENDED ALL SIDES. CLEARANCE FOR CONTROL PANELS SHALL BE IN ACCORDANCE WITH OSHA/NEC REQUIREMENTS

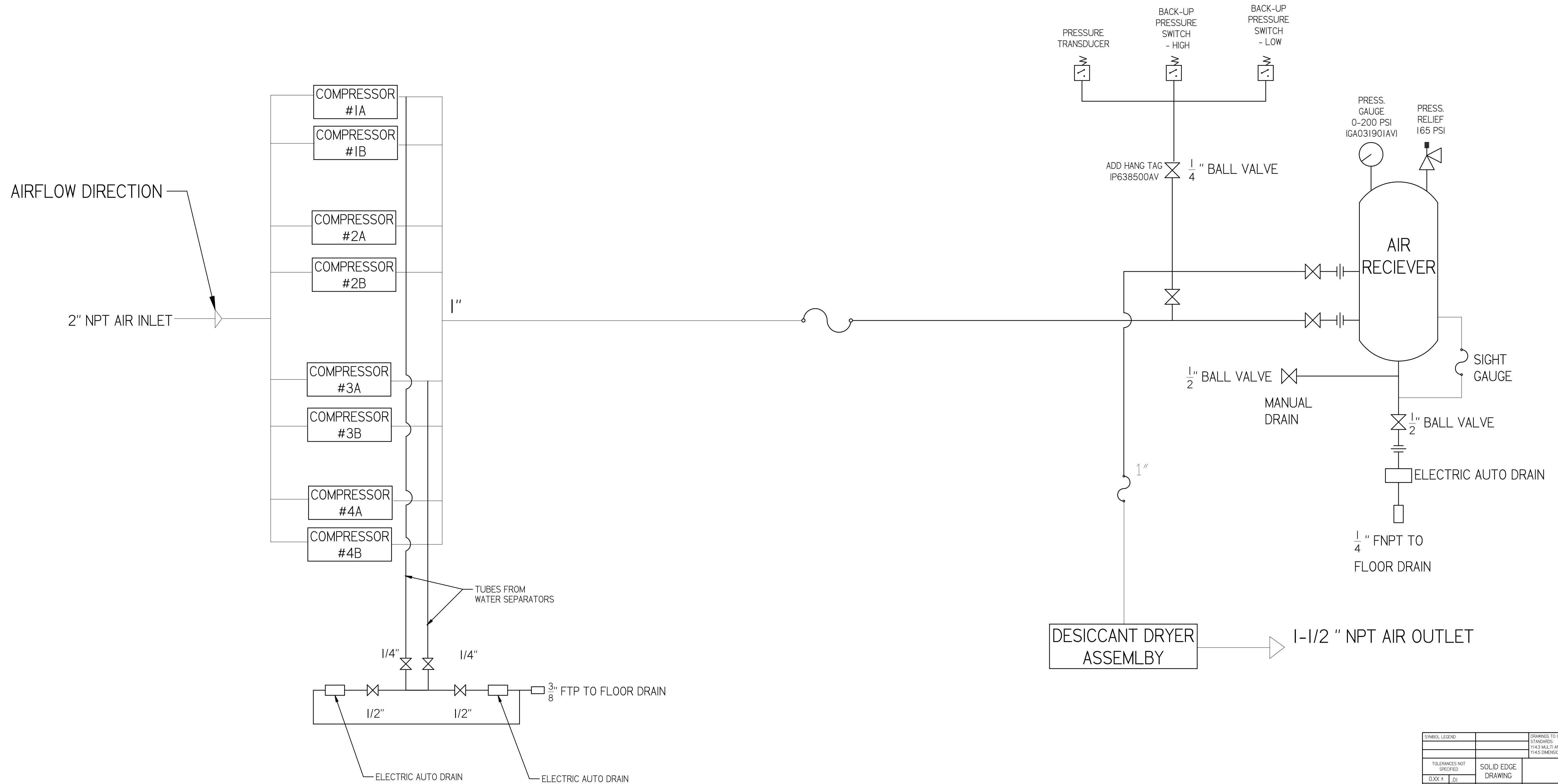
SYMBOL LEGEND		DRAWINGS TO CONFORM TO CURRENT REVISION OF THE FOLLOWING ANSI STANDARDS:	
TOLERANCES NOT SPECIFIED	SOLID EDGE DRAWING	Y14.3 MULTI-VIEW AND SECTIONAL VIEW DIMS	Y14.5 DIMENSIONING AND TOLERANCING
0.005 ± .001		DO NOT SCALE DRAWING FOR DIMENSIONS	
0.0005 ± .0005	INCH	SHEET 1 OF 4	SCALE 1:10
<small>CONFIDENTIAL DISCLOSURE</small> <small>This drawing is the property of POWEREX of the SCOTT FETTER COMPANY and is subject to return on demand. Its contents are confidential and must not be copied or submitted to outside parties for use or examination.</small>		<small>AUTHOR</small> <small>ORIGINATION DATE</small> <small>APPROVALS ON FILE IN PLM</small>	<small>ASoulek</small> <small>11/5/2018</small>
<small>ITEM NO.</small> <small>716119</small> <small>MATERIAL</small> <small>SEE PART DRAWINGS</small>	<small>POWEREX</small> <small>150 PRODUCTION DRIVE, HARRISON OH 45030</small> <small>(888) 768-7079</small>	<small>DRAWING NUMBER</small> <small>LSQ10A5</small>	<small>REVISION</small> <small>B</small> <small>SIZE</small> <small>D</small>

# LSQ10A5

## LAB OPEN SCROLL 10 HP QUADPLEX WITH 200 GALLON TANK

### FLOW DIAGRAM

REVISION NOTES		
DESCRIPTION	ECN	PR/NOR
PRODUCTION RELEASE	PXECO169	N/A

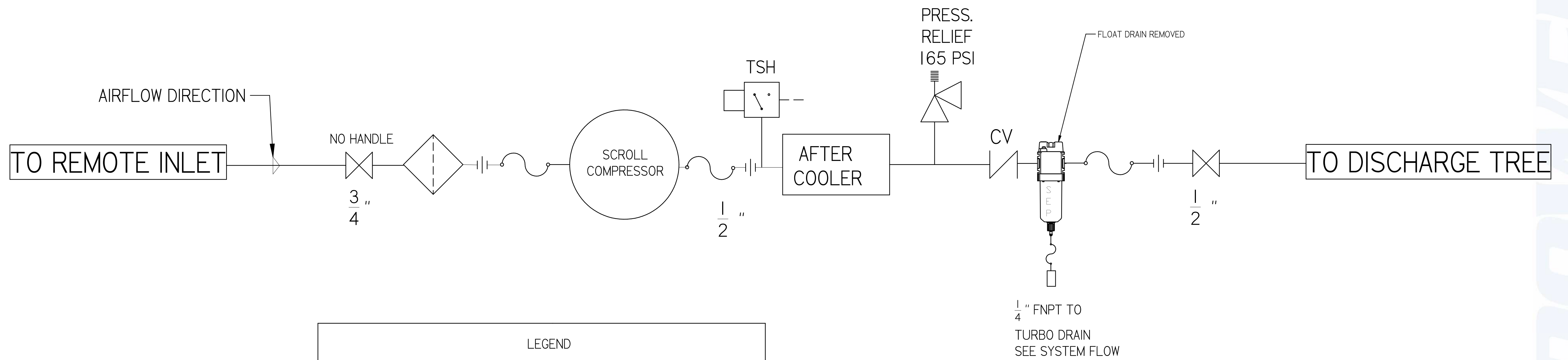


SYMBOL LEGEND		DRAWINGS TO CONFORM TO CURRENT REVISION OF THE FOLLOWING ANSI STANDARDS:			
		Y14.3 MULTI AND SECTIONAL VIEW DIMS			
		Y14.5 DIMENSIONING AND TOLERANCING			
TOLERANCES NOT SPECIFIED	SOLID EDGE DRAWING	DO NOT SCALE DRAWING FOR DIMENSIONS			
0.00X ± 0.01					
0.00X ± 0.005	INCH	SHEET 2 OF 4	SCALE	1:1	
<small>CONFIDENTIAL DISCLOSURE</small> This drawing is the property of POWERLEX of the SCOTT FETTER COMPANY and is subject to return on demand. Its contents are confidential and must not be copied or submitted to outside parties for use or examination.		AUTHOR	ORIGINATION DATE	APPROVALS ON FILE IN PLM	
FROM B: 716119 MATERIAL: SEE PART DRAWINGS		ASoulek	11/5/2018		
		150 PRODUCTION DRIVE, HARRISON OH 45030 (888) 768-7079			
DESCRIPTION LAB OPEN SCROLL 10 HP QUADPLEX WITH 200 GALLON TANK		DRAWING NUMBER LSQ10A5	REVISION B	SIZE D	

REVISION NOTES		
DESCRIPTION	ECN	PR/NOR
PRODUCTION RELEASE	PXECO169	N/A

# LSQ10A5

LAB OPEN SCROLL 10 HP  
QUADPLEX WITH 200  
GALLON TANK  
LAB COMPRESSOR  
FLOW DIAGRAM



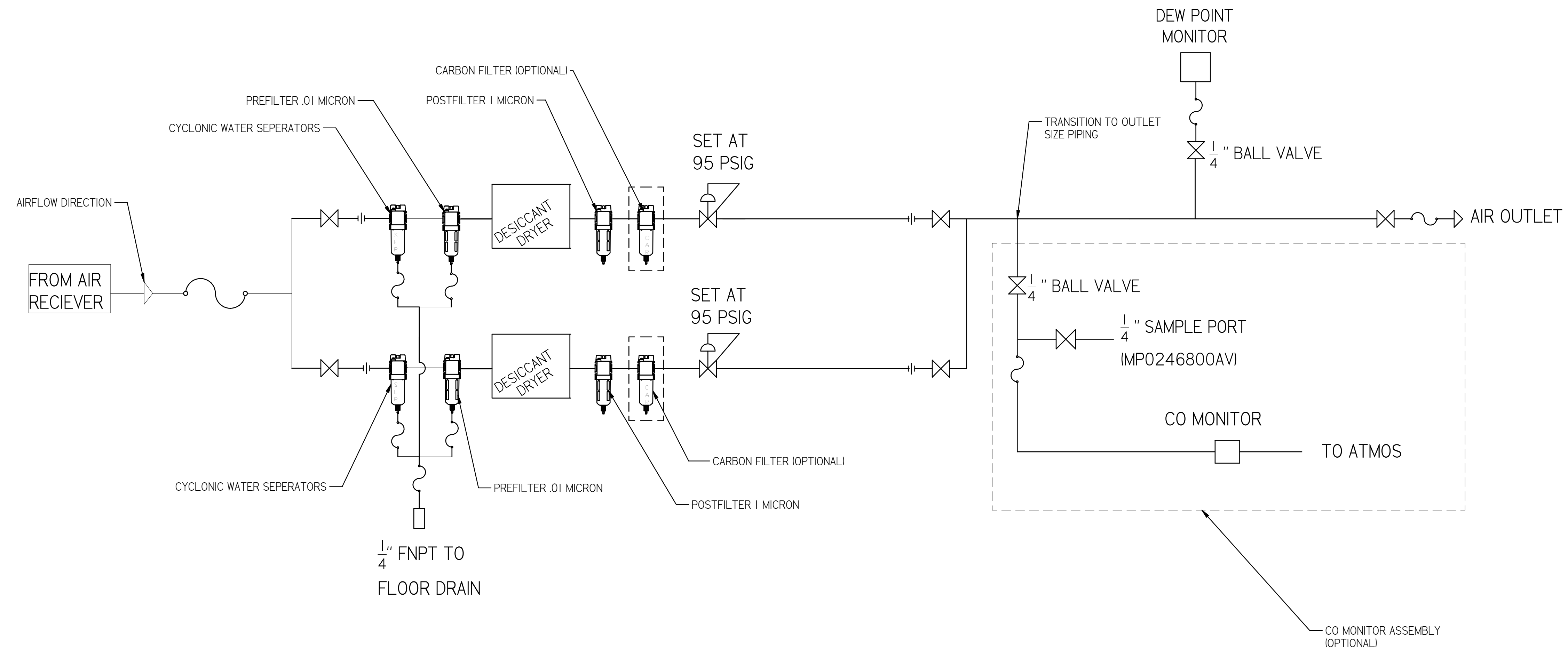
LEGEND	
	RELIEF VALVE
	INTAKE FILTER
	AIR FILTER
	3 WAY VALVE
	CARBON FILTER
	BALL VALVE
	PRESSURE SWITCH
	REGULATOR
	SEPARATOR
	CHECK VALVE
	FLEX LINE
	TSH HIGH TEMP SWITCH

SYMBOL LEGEND		DRAWINGS TO CONFORM TO CURRENT REVISION OF THE FOLLOWING ANSI STANDARDS:	
		Y14.3 MULTI AND SECTIONAL VIEW DWGS	
		Y14.5 DIMENSIONING AND TOLERANCING	
TOLERANCES NOT SPECIFIED:	SOLID EDGE DRAWING	DO NOT SCALE DRAWING FOR DIMENSIONS	
0.001 ± .01			
0.005 ± .005			
0.010 ± .010	INCH	SHEET 3 OF 4	SCALE 1:1
<small>CONFIDENTIAL DISCLOSURE</small> This drawing is the property of POWEREX of the SCOTT FETTER COMPANY and is subject to return on demand. Its contents are confidential and must not be copied or submitted to outside parties for use or examination.		AUTHOR	APPROVALS ON FILE IN PLM
TITLE: 716119 MATERIAL: SEE PART DRAWINGS		ASoulek	11/5/2018
DESCRIPTION: LAB OPEN SCROLL 10 HP QUADPLEX WITH 200 GALLON TANK		 150 PRODUCTION DRIVE, HARRISON OH 45030 (888) 768-7079	DRAWING NUMBER: LSQ10A5 REVISION: B SIZE: D

REVISION NOTES		
DESCRIPTION	ECN	PR/NOR
PRODUCTION RELEASE	PXECO169	N/A

# LSQ10A5

LAB OPEN SCROLL 10 HP  
QUADPLEX WITH 200  
GALLON TANK  
LAB DRYER  
FLOW DIAGRAM



PIPE SIZE CHART		
PUMP COUNT	DRYER PLUMBING SIZE	OUTLET PIPE SIZE
2	1/2"	1/2"
3	1/2"	1"
4	1"	1-1/4"
6	1"	1-1/2"
8	1"	1-1/2"
9	1"	1-1/2"
12	1-1/2"	2"
15	1-1/2"	2"
18	1-1/2"	2"

SYMBOL LEGEND		DRAWINGS TO CONFORM TO CURRENT REVISION OF THE FOLLOWING ANSI STANDARDS: Y14.3 MULTI AND SECTIONAL VIEW DWGS Y14.5 DIMENSIONING AND TOLERANCING	
TOLERANCES NOT SPECIFIED	SOLID EDGE DRAWING	DO NOT SCALE DRAWING FOR DIMENSIONS	
0.XXX ± .01	INCH	SHEET 4 OF 4	SCALE 1:1
0.XXX ± .005			
± .5			
<small>CONFIDENTIAL DISCLOSURE</small> This drawing is the property of POWEREX of the SCOTT FETTER COMPANY and is subject to return on demand. Its contents are confidential and must not be copied or submitted to outside parties for use or examination.		AUTHOR	APPROVALS ON FILE IN PLM
FROM: 716119 MATERIAL: SEE PART DRAWINGS		ASoulek	11/5/2018
DESCRIPTION: LAB OPEN SCROLL 10 HP QUADPLEX WITH 200 GALLON TANK		DRAWING NUMBER: LSQ10A5	REVISION: B
			SIZE: D

