

REV	ZONE	REVISION	DATE	ECN	NAME	CHKD
B-1	ALL	RELEASE TO PRODUCTION	3/2/15	PXEC005	JBE	AEK
C-1	ALL	REVISED BUILD/FLOW TO REFLECT CURRENT PRODUCTION	10/30/15	PXEC093	AEK	GES
D-1	ALL	CORRECTED NOTES, LINED TANK	4/5/16	PXEC039	GES	DMS
D-2	2 ALL	CORRECTED SEPARATOR FLEX	4/7/16	PXEC039	MJD	GES
E-1	2 B4 2 C6 1 ALL	CORRECTED DRAIN LINES ADDED NOTE TO REMOVE SEPARATOR FLOATS ADDED OUTLINE FOR RECOMMENDED CLEARANCES UPDATED INLET TREE	01/11/17	PXEC067	MJD	GES

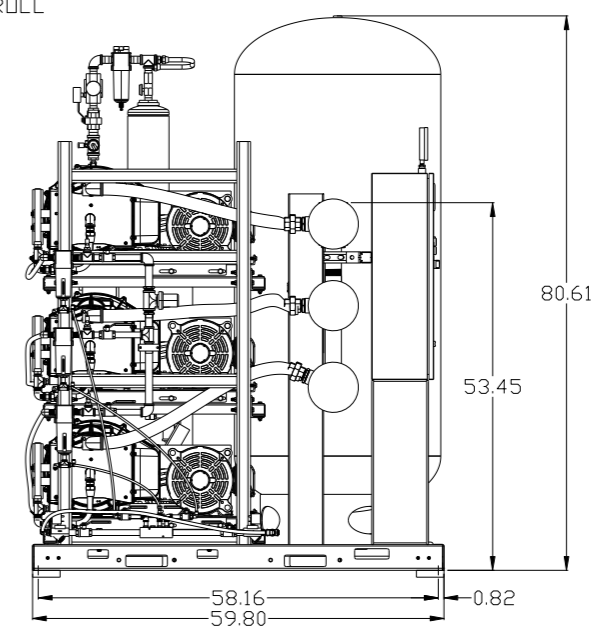
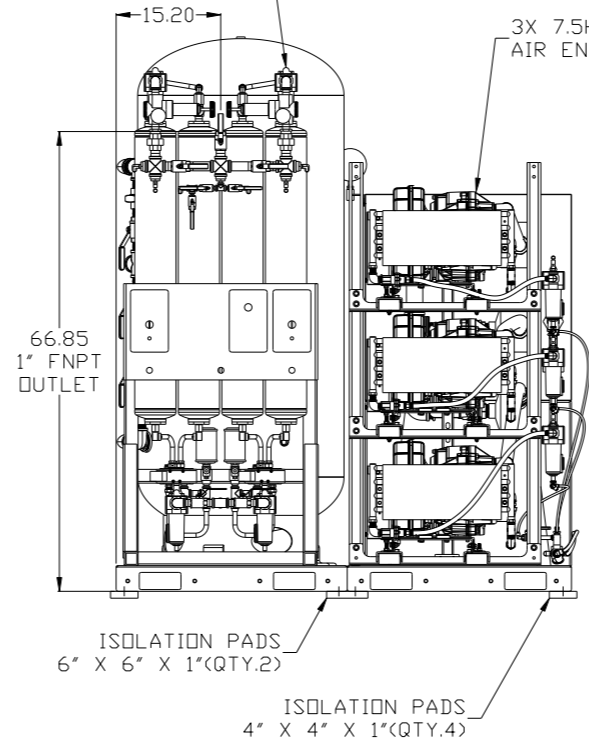
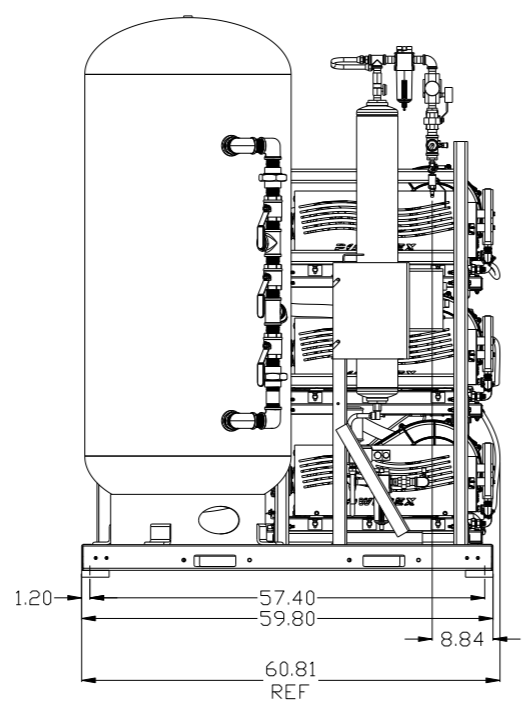
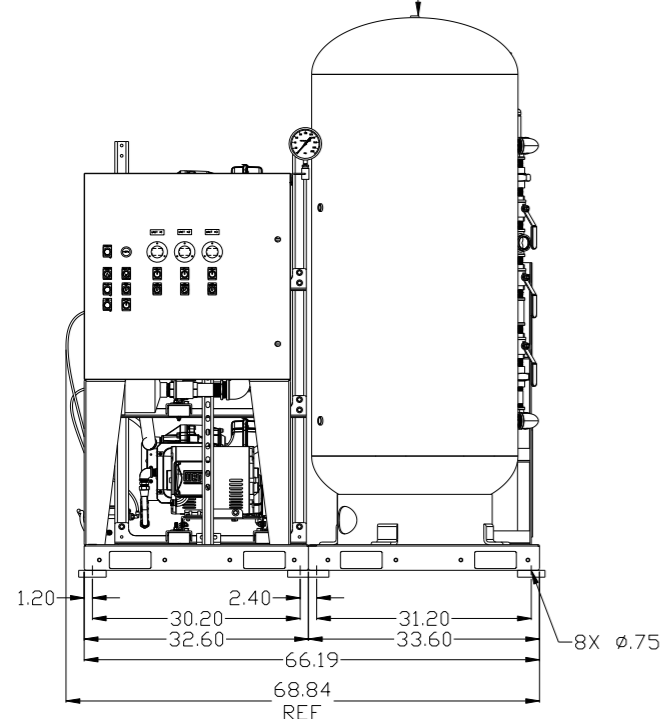
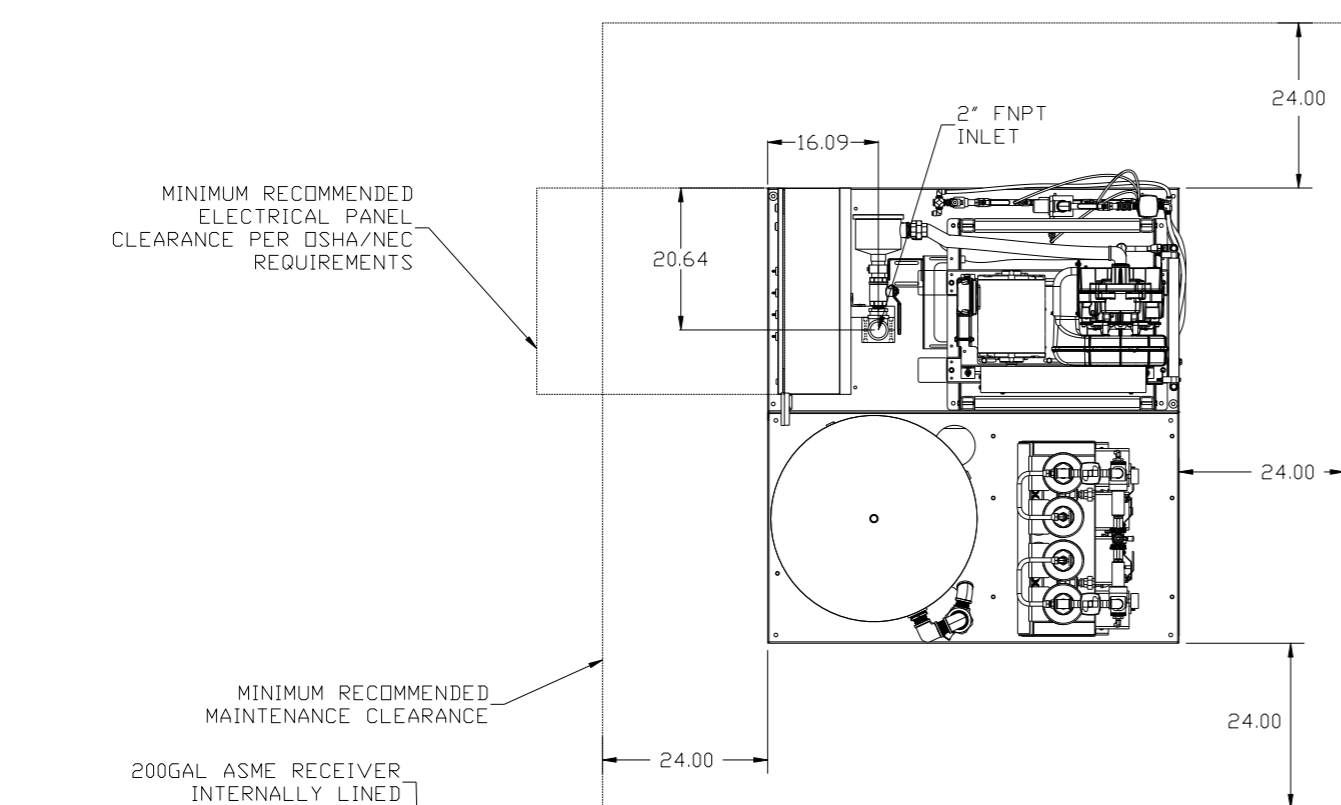
MINIMUM RECOMMENDED ELECTRICAL PANEL CLEARANCE PER OSHA/NEC REQUIREMENTS

MINIMUM RECOMMENDED MAINTENANCE CLEARANCE

200GAL ASME RECEIVER INTERNALLY LINED

2X DESICCANT DRYER W/ DEW POINT MONITOR, PRE FILTER, & AFTER FILTER, (CHARCOAL FILTER & CARBON MONOXIDE MONITOR ARE OPTIONAL)

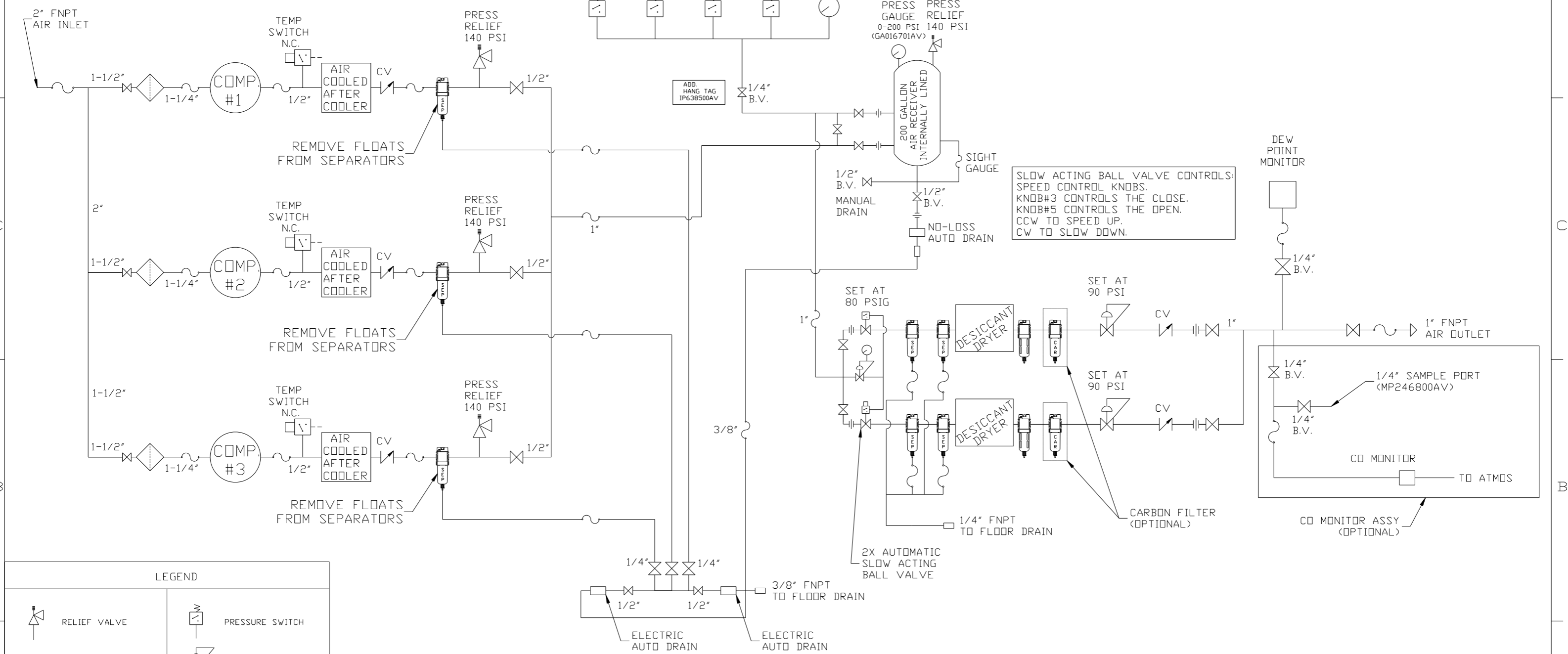
3X 7.5HP OILLESS SCROLL AIR END



NOTE: SYSTEM DESIGNED IN COMPLIANCE WITH US NFPA'99, LATEST EDITION.

SYMBOL LEGEND ⊖ = MINUS DRAFT ⊕ = PLUS DRAFT ⊕ = BRINELL HARDNESS		= ADDITIONAL CONTROL REQ'D = BRINELL HARDNESS		Drawings to conform to the current revision of the following ANSI standards: Y14.3 Multi and sectional view dgs. Y14.5M Dimensioning and tolerancing
TOLERANCES NOT SPECIFIED .XX ± .XXX ± <<DEG> ±		AUTOCAD REL2000: INCH		DO NOT SCALE DRAWING FOR DIMENSIONS Sheet 1 of 2 SCALE 1:14
CONFIDENTIAL DISCLOSURE This drawing is the property of POWEREX, INC. of the SCOTT FELTZER COMPANY and subject to return on demand. Its contents are confidential and must not be copied or submitted to outside parties for use or examination.				
DRAWN BY JBE		CHECKED BY AEK		APPROVED BY ENGINEERING MFG/MKTG JA CT
MATERIAL N/A		POWEREX 150 PRODUCTION DRIVE, HARRISON, OHIO 45030 Ph 888-769-7979 FAX (513) 367-3125		SIZE LST0755 D

REV	ZONE	REVISION	DATE	ECN	NAME	CHKD
B-1	ALL	RELEASE TO PRODUCTION	3/2/15	PXEC0057	JBE	AEK
C-1	ALL	REVISED BUILD/FLOW TO REFLECT CURRENT PRODUCTION	10/30/15	PXEC0093	AEK	GES
D-1	ALL	CORRECTED NOTES, LINED TANK	4/5/16	PXEC0139	GES	DMS
D-2	ALL	CORRECTED SEPARATOR FLEX	4/7/16	PXEC0139	MJD	GES
E-1	2 B4 2 C6 1 ALL	CORRECTED DRAIN LINES ADDED NOTE TO REMOVE SEPARATOR FLOATS ADDED OUTLINE FOR RECOMMENDED CLEARANCES UPDATED INLET TREE	01/11/17	PXEC0167	MJD	GES



LEGEND

	RELIEF VALVE		PRESSURE SWITCH
	INTAKE FILTER		REGULATOR
	AIR FILTER		SEPARATOR
	3 WAY VALVE		CHECK VALVE
	CARBON FILTER		HIGH TEMP SWITCH
	BALL VALVE		UNION

NOTES:
 1) PIPING TO THE INLET BY OTHERS AND TO BE PER NFPA99 4-3.1.1.9(b)
 2) INSTRUMENTS DOWN STREAM OF SOURCE VALVE TO BE SUPPLIED BY OTHERS.
 3) IF LOW PRESSURE SWITCH IS TRIGGERED ALARM WILL OCCUR.

SYMBOL LEGEND		= ADDITIONAL CONTROL REQ'D		Drawings to conform to the current revision of the following ANSI standards	
⊖ = MINUS DRAFT		⊕ = PLUS DRAFT		Y14.3 Multi and sectional view dsgs Y14.5M Dimensioning and tolerancing	
TOLERANCES NOT SPECIFIED		AUTOCAD REL2000:		DO NOT SCALE DRAWING FOR DIMENSIONS	
.XX ±		INCH		Sheet 2 of 2	
.XXX ±				SCALE 1:14	
<DEG> ±					
CONFIDENTIAL DISCLOSURE					
This drawing is the property of POWEREX, INC. of the SCOTT FETZER COMPANY and subject to return on demand. Its contents are confidential and must not be copied or submitted to outside parties for use or examination.					
DRAWN BY		CHECKED BY		APPROVED BY	
JA		AEK		JA CT	
3/2/15		3/2/15		3/2/15 3/2/15	
MATERIAL N/A					
PART NAME					
7.5HP LAB SCROLL TRIPLEX FLOW SCHEMATIC					
DWG NO LST0755				SIZE D	

8 7 6 5 4 3 2 1

8 7 6 5 4 3 2 1

LST0755.dwg

REV	ZONE	REVISION	DATE	ECN	NAME	CHKD
B-1	ALL	RELEASE TO PRODUCTION	3/2/15	PXEC0057	JBE	AEK
C-1	ALL	REVISED BUILD/FLOW TO REFLECT CURRENT PRODUCTION	10/30/15	PXEC0092	AEK	GES
D-1	ALL	CORRECTED NOTES, LINED TANK	4/5/16	PXEC0139	GES	DMS
D-2	2 ALL	CORRECTED SEPARATOR FLEX	4/7/16	PXEC0139	MJD	GES
E-1	2 B4 2 C6 1 ALL	CORRECTED DRAIN LINES ADDED NOTE TO REMOVE SEPARATOR FLDATS ADDED OUTLINE FOR RECOMMENDED CLEARANCES UPDATED INLET TREE	01/11/17	PXEC0167	MJD	GES

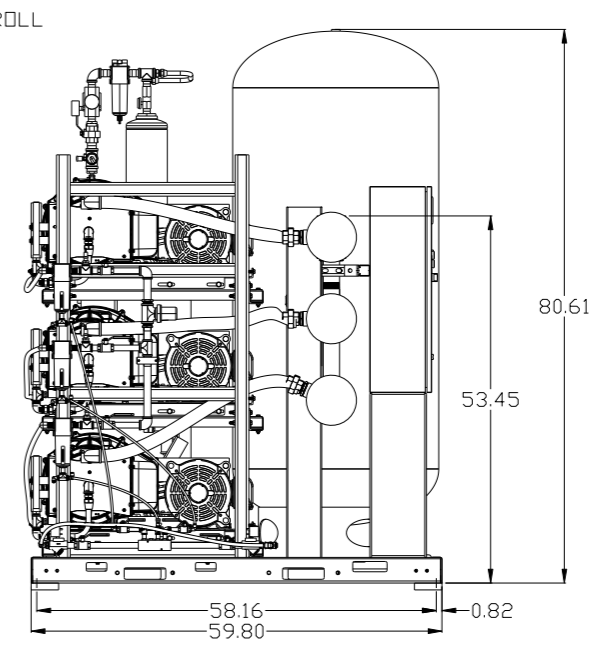
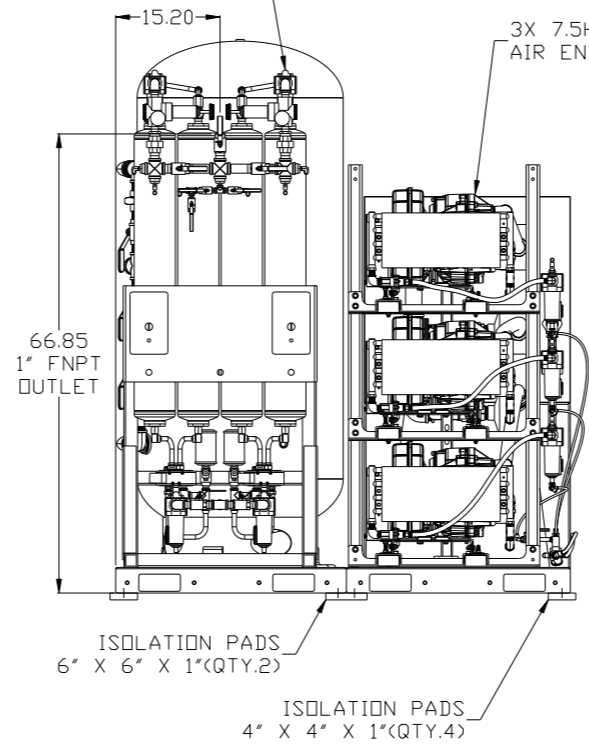
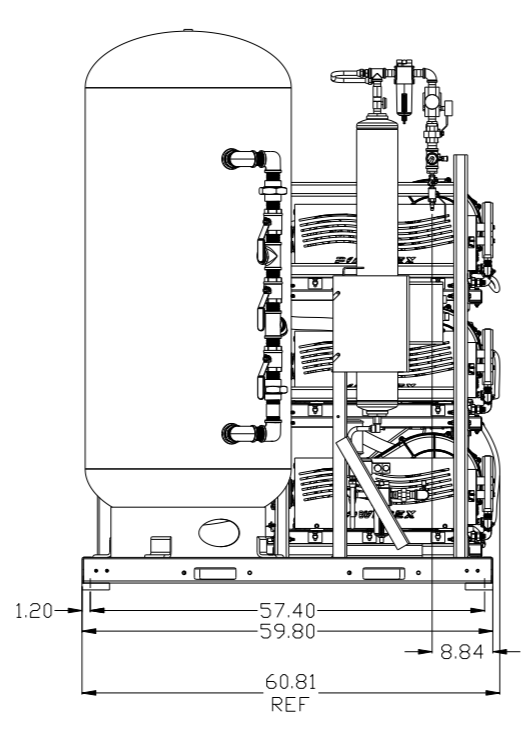
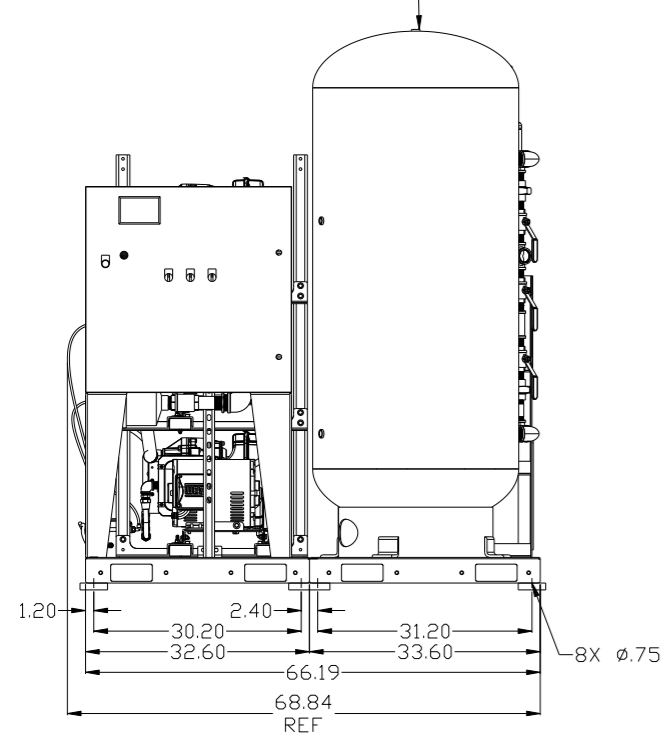
MINIMUM RECOMMENDED ELECTRICAL PANEL CLEARANCE PER OSHA/NEC REQUIREMENTS

MINIMUM RECOMMENDED MAINTENANCE CLEARANCE

200GAL ASME RECEIVER INTERNALLY LINED

2X DESICCANT DRYER W/ PRE FILTER, & AFTER FILTER, (CHARCOAL FILTER & CARBON MONOXIDE MONITOR ARE OPTIONAL)

3X 7.5HP OILLESS SCROLL AIR END



NOTE: SYSTEM DESIGNED IN COMPLIANCE WITH US NFPA'99, LATEST EDITION.

SYMBOL LEGEND ⊖ = MINUS DRAFT ⊕ = PLUS DRAFT ⊕ = BRINELL HARDNESS		= ADDITIONAL CONTROL REQ'D = BRINELL HARDNESS		Drawings to conform to the current revision of the following ANSI standards: Y14.3 Multi and sectional view dgs Y14.5M Dimensioning and tolerancing
TOLERANCES NOT SPECIFIED: .XX ± .XXX ± <DEG. > ±		AUTOCAD REL2000: INCH		DO NOT SCALE DRAWING FOR DIMENSIONS Sheet 1 of 2 SCALE 1: 14
CONFIDENTIAL DISCLOSURE This drawing is the property of POWEREX, INC. of the SCOTT FELTZER COMPANY and subject to return on demand. Its contents are confidential and must not be copied or submitted to outside parties for use or examination.		DRAWN BY JBE	CHECKED BY AEK	APPROVED BY ENGINEERING MFG/MRKTG JA CT
MATERIAL N/A		DATE 3/2/15	DATE 3/2/15	DATE 3/2/15
PART NAME TRIPLEX LAB SCROLL 7.5HP, 200GAL, BASEMOUNT DUPLEX DESICCANT		 150 PRODUCTION DRIVE, HARRISON, OHIO 45030 Ph: 888-769-7979 FAX: (513) 367-3125		DWG NO LST0755 SIZE D

